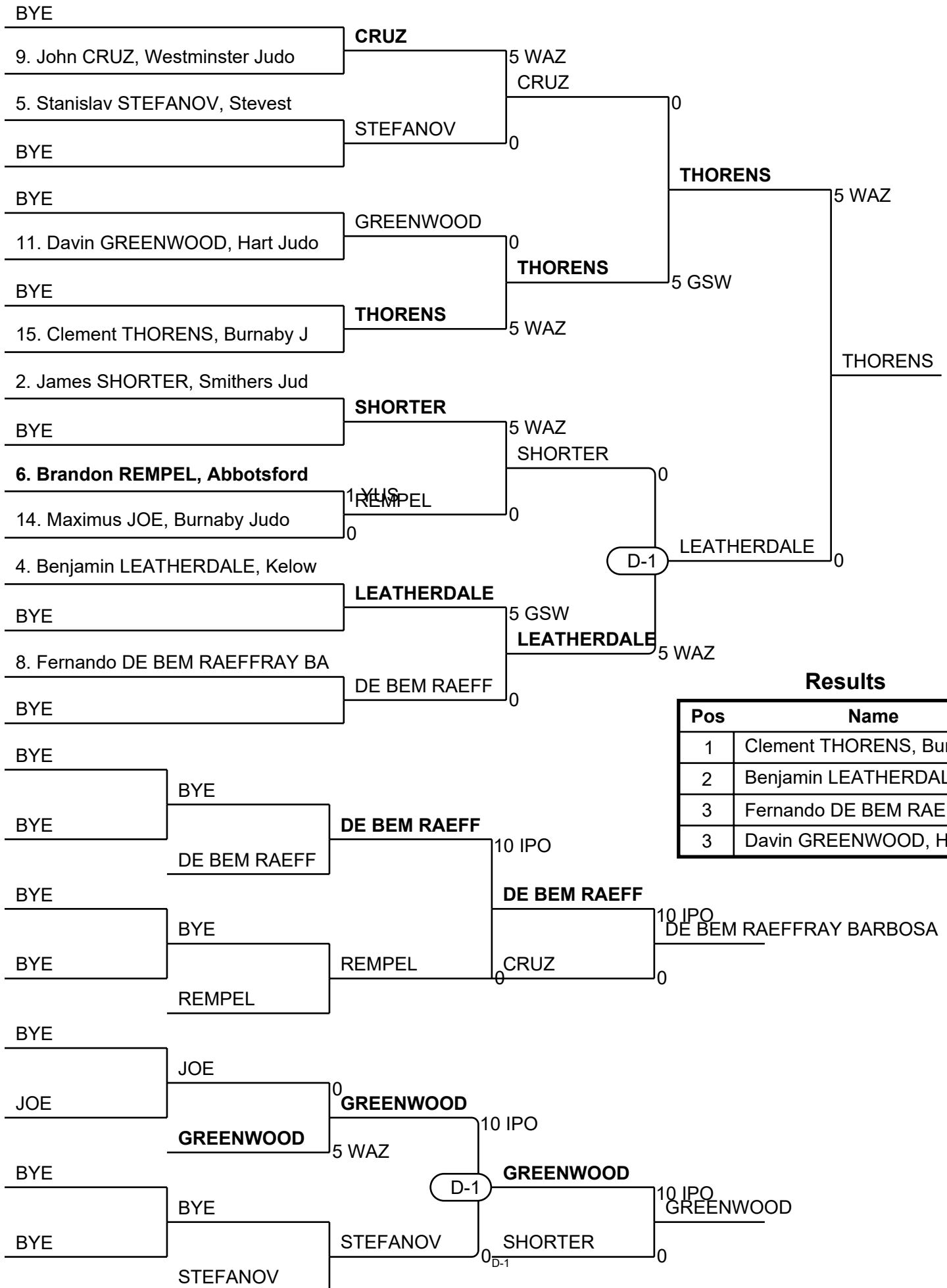


# Ne Waza Men B



# Ne Waza Men C

## Competitors

#	Name	Grade	Club	1	2	3	4	Wins	Pts	Pos
1	Taras SHEVCHENKO (80,00)	Brown/Maroon	Champion Judo Club	XX	10	5		2	15	2
2	Brian MARSHALL (80,00)	Blue/Blue	Williams Lake Judo Club		XX			0	0	4
3	Darius MUGLICH (84,00)	Green/Verd	Ubc Judo Club		10	XX		1	10	3
4	Tyler MEADE (81,00)	Brown/Maroon	Lake Country Judo Club	10	10	10	XX	3	30	1

## Matches

Match	White	Blue	Result	Time	Code
1	<b>Taras SHEVCHENKO</b>	Brian MARSHALL	10 - 0	2:22	IPO
2	Darius MUGLICH	<b>Tyler MEADE</b>	0 - 10	0:47	IPO
3	<b>Taras SHEVCHENKO</b>	Darius MUGLICH	5 - 0	3:00	WAZ
4	Brian MARSHALL	<b>Tyler MEADE</b>	0 - 10	0:21	IPO
5	Taras SHEVCHENKO	<b>Tyler MEADE</b>	0 - 10	0:23	IPO
6	Brian MARSHALL	<b>Darius MUGLICH</b>	0 - 10	1:14	IPO

## Results

Pos	Name
1	Tyler MEADE, Lake Country Judo Club
2	Taras SHEVCHENKO, Champion Judo Club
3	Darius MUGLICH, Ubc Judo Club
4	Brian MARSHALL, Williams Lake Judo Club

# Ne Waza Men D

## Competitors

#	Name	Grade	Club	1	2	1	2	1	2	Wins	Pts	Pos
1	Anthony PLUMTREE (101,00)	Brown/Mar	Aberdeen Judo Academy	XX	5	XX	10	XX		2	15	1
2	Jordan HARRIS (90,00)	Brown/Mar	Abbotsford Judo Club		XX		XX		XX	0	0	2

## Matches

Match	White			Blue	Result	Time	Code
1	<b>Anthony PLUMTREE</b>	1	2	Jordan HARRIS	5 - 0	3:00	WAZ
2	Jordan HARRIS	2	1	<b>Anthony PLUMTREE</b>	0 - 10	2:07	IPO
3	Anthony PLUMTREE	1	2	Jordan HARRIS			

## Results

Pos	Name
1	Anthony PLUMTREE, Aberdeen Judo Academy
2	Jordan HARRIS, Abbotsford Judo Club

# Ne Waza Men E

## Competitors

#	Name	Grade	Club	1	2	1	2	1	2	Wins	Pts	Pos
1	Travis POHL (100,00)	Blue/Bleue	Langley Judo Club	XX		XX		XX		0	0	2
2	Lennard SUPERNAULT (108,00)	Green/Vert	Williams Lake Judo Club	5	XX	10	XX		XX	2	15	1

## Matches

Match	White			Blue	Result	Time	Code
A-2	Travis POHL	1	2	<b>Lennard SUPERNAULT</b>	0 - 5	3:00	WAZ
A-2D	<b>Lennard SUPERNAULT</b>	2	1	Travis POHL	10 - 0	1:46	IPO
3	Travis POHL	1	2	Lennard SUPERNAULT			

## Results

Pos	Name
1	Lennard SUPERNAULT, Williams Lake Judo Club
2	Travis POHL, Langley Judo Club

# Ne Waza Women A

## Competitors

#	Name	Grade	Club	1	2	1	2	1	2	Wins	Pts	Pos
1	Hellen CHAN (69,00)	Yellow/Jau	Ubc Judo Club	XX		XX	10	XX	10	2	20	1
2	Alisa YANG (67,00)	Yellow/Jau	Ubc Judo Club	5	XX		XX		XX	1	5	2

## Matches

Match	White			Blue	Result	Time	Code
D-1	Hellen CHAN	1	2	Alisa YANG	0 - 5	3:00	WAZ
2	Alisa YANG	2	1	Hellen CHAN	0 - 10	1:11	IPO
3	Hellen CHAN	1	2	Alisa YANG	10 - 0	1:14	IPO

## Results

Pos	Name
1	Hellen CHAN, Ubc Judo Club
2	Alisa YANG, Ubc Judo Club

# Ne Waza Women B

## Competitors

#	Name	Grade	Club	1	2	3	4	Wins	Pts	Pos
1	Michelle JORGENSEN (66,00)	Green/Vert	Lake Country Judo Club	XX	5	10	10	3	25	1
2	Mariko GLOVER (63,00)	Blue/Bleue	Burnaby Judo Club		XX	10	10	2	20	2
3	Jennifer DARMADI (63,00)	Blue/Bleue	Nanaimo Judo Club			XX	10	1	10	3
4	Sarah TAI (63,00)	Green/Vert	Champion Judo Club				XX	0	0	4

## Matches

Match	White			Blue	Result	Time	Code
D-1	Michelle JORGENSEN	1	2	Mariko GLOVER	5 - 0	3:00	WAZ
D-1	Jennifer DARMADI	3	4	Sarah TAI	10 - 0	2:38	IPO
3	Michelle JORGENSEN	1	3	Jennifer DARMADI	10 - 0	2:40	IPO
4	Mariko GLOVER	2	4	Sarah TAI	10 - 0	1:57	IPO
5	Michelle JORGENSEN	1	4	Sarah TAI	10 - 0	1:59	IPO
6	Mariko GLOVER	2	3	Jennifer DARMADI	10 - 0	0:00	IPO

## Results

Pos	Name
1	Michelle JORGENSEN, Lake Country Judo Club
2	Mariko GLOVER, Burnaby Judo Club
3	Jennifer DARMADI, Nanaimo Judo Club
4	Sarah TAI, Champion Judo Club

# Ne Waza Women E

## Competitors

#	Name	Grade	Club	1	2	1	2	1	2	Wins	Pts	Pos
1	Krissy MULHOLLAND (89,00)	Yellow/Jane	Lake Country Judo Club	XX		XX		XX		0	0	2
2	Megan HANKS (84,00)	Shodan	Aberdeen Judo Academy	10	XX	10	XX		XX	2	20	1

## Matches

Match	White		Blue	Result	Time	Code	
1	Krissy MULHOLLAND	1	2	<b>Megan HANKS</b>	0 - 10	1:46	IPO
D-1	<b>Megan HANKS</b>	2	1	Krissy MULHOLLAND	10 - 0	1:49	IPO
3	Krissy MULHOLLAND	1	2	Megan HANKS			

## Results

Pos	Name
1	Megan HANKS, Aberdeen Judo Academy
2	Krissy MULHOLLAND, Lake Country Judo Club

# Senior Men - Novice-100kg

## Competitors

#	Name	Grade	Club	1	2	1	2	1	2	Wins	Pts	Pos
1	Dashiell NETTLES (93,00)	Orange	Kamloops Judo Club	XX		XX		XX		0	0	2
2	Hamed HELISAZ (98,00)	Orange	Ubc Judo Club	10	XX	10	XX		XX	2	20	1

## Matches

Match	White			Blue	Result	Time	Code
1	Dashiell NETTLES	1	2	<b>Hamed HELISAZ</b>	0 - 10	1:05	IPO
2	<b>Hamed HELISAZ</b>	2	1	Dashiell NETTLES	10 - 0	1:20	IPO
3	Dashiell NETTLES	1	2	Hamed HELISAZ			

## Results

Pos	Name
1	Hamed HELISAZ, Ubc Judo Club
2	Dashiell NETTLES, Kamloops Judo Club



# Senior Men - Novice-66kg

## Competitors

#	Name	Grade	Club	1	2	3	Wins	Pts	Pos
1	Elliot CHEUNG (0,00)	Yellow/Ja	Ubc Judo Club	XX			0	0	3
2	Maximilian WIESINGER (0,00)	Orange	Police Judo Junior	10	XX	10	2	20	1
3	Arron MERIALES (0,00)	Orange	Zenyu Judo Dojo	10		XX	1	10	2

## Matches

Match	White			Blue	Result	Time	Code
1	Elliot CHEUNG	1	2	<b>Maximilian WIESINGER</b>	0 - 10	1:05	IPO
2	Elliot CHEUNG	1	3	<b>Arron MERIALES</b>	0 - 10	3:00	IPO
3	<b>Maximilian WIESINGER</b>	2	3	Arron MERIALES	10 - 0	1:40	IPO

## Results

Pos	Name
1	Maximilian WIESINGER, Police Judo Junior
2	Arron MERIALES, Zenyu Judo Dojo
3	Elliot CHEUNG, Ubc Judo Club

# Senior Men - Novice-73kg

## Competitors

#	Name	Grade	Club	1	2	3	4	5	Wins	Pts	Pos
1	Carlo CORRALES (0,00)	Yellow/Jaune	Ubc Judo Club	XX			1		1	1	4
2	Chen CHEN (0,00)	Orange	Ubc Judo Club	5	XX		10	10	3	25	2
3	Benjamin HARTMAN (0,00)	Yellow/Jaune	Zenyu Judo Dojo	10	10	XX	10	10	4	40	1
4	Alwin HARTAWAN (0,00)	Yellow/Jaune	Ubc Judo Club				XX		0	0	5
5	Yen LIU (0,00)	Yellow/Jaune	Ubc Judo Club	10			10	XX	2	20	3

## Matches

Match	White			Blue	Result	Time	Code
1	Alwin HARTAWAN	4	5	Yen LIU	0 - 10	0:18	IPO
2	Carlo CORRALES	1	2	Chen CHEN	0 - 5	3:00	GSW
3	<b>Benjamin HARTMAN</b>	3	4	Alwin HARTAWAN	10 - 0	0:22	IPO
4	Carlo CORRALES	1	5	Yen LIU	0 - 10	0:38	IPO
5	Chen CHEN	2	3	<b>Benjamin HARTMAN</b>	0 - 10	1:34	IPO
6	<b>Carlo CORRALES</b>	1	4	Alwin HARTAWAN	1 - 0	3:01	GSD
7	<b>Benjamin HARTMAN</b>	3	5	Yen LIU	10 - 0	0:08	IPO
8	<b>Chen CHEN</b>	2	4	Alwin HARTAWAN	10 - 0	0:32	WIP
9	Carlo CORRALES	1	3	<b>Benjamin HARTMAN</b>	0 - 10	0:18	IPO
10	<b>Chen CHEN</b>	2	5	Yen LIU	10 - 0	2:34	WIP

## Results

Pos	Name
1	Benjamin HARTMAN, Zenyu Judo Dojo
2	Chen CHEN, Ubc Judo Club
3	Yen LIU, Ubc Judo Club
4	Carlo CORRALES, Ubc Judo Club
5	Alwin HARTAWAN, Ubc Judo Club

# Senior Men - Novice-90kg

## Competitors

#	Name	Grade	Club	1	2	1	2	1	2	Wins	Pts	Pos
1	Alexander PUSHKIN (0,00)	Yellow/Ja	Steveston Judo Club	XX		XX		XX		0	0	2
2	Len WOOD (0,00)	Orange	Nanaimo Judo Club	10	XX	1	XX		XX	2	11	1

## Matches

Match	White			Blue	Result	Time	Code
1	Alexander PUSHKIN	1	2	Len WOOD	0 - 10	0:07	IPO
2	Len WOOD	2	1	Alexander PUSHKIN	1 - 0	3:00	GSD
3	Alexander PUSHKIN	1	2	Len WOOD			

## Results

Pos	Name
1	Len WOOD, Nanaimo Judo Club
2	Alexander PUSHKIN, Steveston Judo Club

# Senior Men -100kg

## Competitors

#	Name	Grade	Club	1	2	1	2	1	2	Wins	Pts	Pos
1	Travis POHL (100,00)	Blue/Bleue	Langley Judo Club	XX		XX		XX		0	0	2
2	Oleg SOROKIN (87,00)	Blue/Bleue	Abbotsford Judo Club	5	XX	10	XX		XX	2	15	1

## Matches

Match	White			Blue	Result	Time	Code
B-5	Travis POHL	1	2	<b>Oleg SOROKIN</b>	0 - 5	3:00	WAZ
2	<b>Oleg SOROKIN</b>	2	1	Travis POHL	10 - 0	0:25	IPO
3	Travis POHL	1	2	Oleg SOROKIN			

## Results

Pos	Name
1	Oleg SOROKIN, Abbotsford Judo Club
2	Travis POHL, Langley Judo Club

# Senior Men -66kg

## Competitors

#	Name	Grade	Club	1	2	1	2	1	2	Wins	Pts	Pos
1	Pak Chien (jeff) HOI (0,00	Blue/Bleue	Westminster Judo Club	XX		XX		XX		0	0	2
2	Aydin GREENWOOD (0,00)	Blue/Bleue	Hart Judo Academy	10	XX	10	XX		XX	2	20	1

## Matches

Match	White			Blue	Result	Time	Code
A-1	Pak Chien (jeff) HOI	1	2	<b>Aydin GREENWOOD</b>	0 - 10	0:32	IPO
2	<b>Aydin GREENWOOD</b>	2	1	Pak Chien (jeff) HOI	10 - 0	0:18	IPO
3	Pak Chien (jeff) HOI	1	2	Aydin GREENWOOD			

## Results

Pos	Name
1	Aydin GREENWOOD, Hart Judo Academy
2	Pak Chien (jeff) HOI, Westminster Judo Club

# Senior Men -73kg

## Competitors

#	Name	Grade	Club	1	2	3	4	5	Wins	Pts	Pos
1	Tristan PELCHAT-HENRI (0,0)	Blue/Bleue	Williams Lake Judo Club	XX	10	10	10	10	4	40	1
2	Brendon FRICK (0,00)	Green/Vert	Police Judo Junior		XX				0	0	5
3	Akira TAKEKAWA (0,00)	Green/Vert	Nanaimo Judo Club		10	XX	10		2	20	3
4	Dan ROBERTS (73,00)	Green/Vert	Westminster Judo Club		10		XX		1	10	4
5	Mohammad Ali AZIZ (0,00)	Green/Vert	Westminster Judo Club		10	10	10	XX	3	30	2

## Matches

Match	White			Blue	Result	Time	Code
1	Dan ROBERTS	4	5	<b>Mohammad Ali AZIZ</b>	0 - 10	0:37	WIP
B-1	<b>Tristan PELCHAT-HENRI</b>	1	2	Brendon FRICK	10 - 0	0:15	IPO
B-2B	<b>Akira TAKEKAWA</b>	3	4	Dan ROBERTS	10 - 0	0:39	IPO
B-4	<b>Tristan PELCHAT-HENRI</b>	1	5	Mohammad Ali AZIZ	10 - 0	0:22	IPO
5	Brendon FRICK	2	3	<b>Akira TAKEKAWA</b>	0 - 10	2:54	WIP
6	<b>Tristan PELCHAT-HENRI</b>	1	4	Dan ROBERTS	10 - 0	0:30	IPO
7	Akira TAKEKAWA	3	5	<b>Mohammad Ali AZIZ</b>	0 - 10	1:03	IPO
8	Brendon FRICK	2	4	<b>Dan ROBERTS</b>	0 - 10	0:22	IPO
9	<b>Tristan PELCHAT-HENRI</b>	1	3	Akira TAKEKAWA	10 - 0	0:34	WIP
10	Brendon FRICK	2	5	<b>Mohammad Ali AZIZ</b>	0 - 10	0:51	IPO

## Results

Pos	Name
1	Tristan PELCHAT-HENRI, Williams Lake Judo Clu
2	Mohammad Ali AZIZ, Westminster Judo Club
3	Akira TAKEKAWA, Nanaimo Judo Club
4	Dan ROBERTS, Westminster Judo Club
5	Brendon FRICK, Police Judo Junior

# Senior Men -81kg

## Competitors

#	Name	Grade	Club	1	2	3	Wins	Pts	Pos
1	John PARK (0,00)	Blue/Bleue	Westminster Judo Club	XX	10	10	2	20	1
2	Brian MARSHALL (0,00)	Blue/Bleue	Williams Lake Judo Club		XX	10	1	10	2
3	<del>Dustin BEHNKA (0,00)</del>	Green/Vert	Vancouver Seikidokan Jud			XX	0	0	3

## Matches

Match	White			Blue	Result	Time	Code
A-1B	John PARK	1	2	Brian MARSHALL	10 - 0	0:12	IPO
A-1A	John PARK	1	3	Dustin BEHNKA	10 - 0	0:00	FUS
A-2B	Brian MARSHALL	2	3	Dustin BEHNKA	10 - 0	0:00	FUS

## Results

Pos	Name
1	John PARK, Westminster Judo Club
2	Brian MARSHALL, Williams Lake Judo Club
3	<del>Dustin BEHNKA, Vancouver Seikidokan Judo Club</del>

# Senior Women-63kg

## Competitors

#	Name	Grade	Club	1	2	3	Wins	Pts	Pos
1	Jennifer DARMADI (62,90)	Blue/Bleue	Nanaimo Judo Club	XX			0	0	3
2	Mariko GLOVER (63,00)	Blue/Bleue	Burnaby Judo Club	10	XX		1	10	2
3	Sienna MCCORKELL (56,00)	Green/Vert	Mile Zero Judo Club	10	10	XX	2	20	1

## Matches

Match	White			Blue	Result	Time	Code
1	Jennifer DARMADI	1	2	<b>Mariko GLOVER</b>	0 - 10	0:19	IPO
2	Jennifer DARMADI	1	3	<b>Sienna MCCORKELL</b>	0 - 10	0:42	IPO
3	Mariko GLOVER	2	3	<b>Sienna MCCORKELL</b>	0 - 10	0:28	IPO

## Results

Pos	Name
1	Sienna MCCORKELL, Mile Zero Judo Club
2	Mariko GLOVER, Burnaby Judo Club
3	Jennifer DARMADI, Nanaimo Judo Club



# Senior Women-70kg

## Competitors

#	Name	Grade	Club	1	2	3	Wins	Pts	Pos
1	Michelle JORGENSEN (66,00)	Green/Vert	Lake Country Judo Club	XX		10	1	10	2
2	Mariko GLOVER (63,00)	Blue/Bleue	Burnaby Judo Club	10	XX	10	2	20	1
3	Jennifer DARMADI (62,90)	Blue/Bleue	Nanaimo Judo Club			XX	0	0	3

## Matches

Match	White			Blue	Result	Time	Code
1	Michelle JORGENSEN	1	2	<b>Mariko GLOVER</b>	0 - 10	1:37	IPO
2	<b>Michelle JORGENSEN</b>	1	3	Jennifer DARMADI	10 - 0	1:45	IPO
3	<b>Mariko GLOVER</b>	2	3	Jennifer DARMADI	10 - 0	0:00	IPO

## Results

Pos	Name
1	Mariko GLOVER, Burnaby Judo Club
2	Michelle JORGENSEN, Lake Country Judo Club
3	Jennifer DARMADI, Nanaimo Judo Club

# U10 Boys - Novice A

## Competitors

#	Name	Grade	Club	1	2	1	2	1	2	Wins	Pts	Pos
1	William TESSIER (22,70)	Yellow/Jaune	North Delta Judo Academy	XX	10	XX	10	XX		2	20	1
2	Jun CHON (17,00)	Yellow/Jaune	White Rock Judo Club		XX		XX		XX	0	0	2

## Matches

Match	White			Blue	Result	Time	Code
1	<b>William TESSIER</b>	1	2	Jun CHON	10 - 0	1:42	IPO
2	Jun CHON	2	1	<b>William TESSIER</b>	0 - 10	1:42	IPO
3	William TESSIER	1	2	Jun CHON			

## Results

Pos	Name
1	William TESSIER, North Delta Judo Academy
2	Jun CHON, White Rock Judo Club

# U10 Boys - Novice B

## Competitors

#	Name	Grade	Club	1	2	3	4	Wins	Pts	Pos
1	Keifer TOM (25,40)	Yellow/Jaune	Mile Zero Judo Club	XX	10		10	2	20	2
2	Richard HU (28,00)	Yellow/Jaune	Champion Judo Club		XX		5	1	5	3
3	Louie SHIMIZU (28,00)	Yellow/Jaune	Police Judo Junior	10	10	XX	10	3	30	1
4	Nathan KIM (26,00)	Yellow/Jaune	Burnaby Judo Club				XX	0	0	4

## Matches

Match	White		Blue		Result	Time	Code
1	<b>Keifer TOM</b>	1	2	Richard HU	10 - 0	2:00	WIP
2	<b>Louie SHIMIZU</b>	3	4	Nathan KIM	10 - 0	2:00	WIP
3	Keifer TOM	1	3	<b>Louie SHIMIZU</b>	0 - 10	1:57	IPO
4	<b>Richard HU</b>	2	4	Nathan KIM	5 - 0	2:00	WAZ
5	<b>Keifer TOM</b>	1	4	Nathan KIM	10 - 0	2:00	WIP
6	Richard HU	2	3	<b>Louie SHIMIZU</b>	0 - 10	2:00	WIP

## Results

Pos	Name
1	Louie SHIMIZU, Police Judo Junior
2	Keifer TOM, Mile Zero Judo Club
3	Richard HU, Champion Judo Club
4	Nathan KIM, Burnaby Judo Club

# U10 Boys - Novice C

## Competitors

#	Name	Grade	Club	1	2	3	Wins	Pts	Pos
1	Ociel MAZA (30,00)	Yellow/Jau	White Rock Judo Club	XX			0	0	3
2	Matei DUMITRACHE (33,00)	YelOr/Jau	Abbotsford Judo Club	5	XX		1	5	2
3	Mikhail GOODKOVSKY (36,00)	Yellow/Jau	Champion Judo Club	1	1	XX	2	2	1

## Matches

Match	White			Blue	Result	Time	Code
1	Ociel MAZA	1	2	Matei DUMITRACHE	0 - 5	2:00	WAZ
2	Ociel MAZA	1	3	Mikhail GOODKOVSKY	0 - 1	2:00	YUS
3	Matei DUMITRACHE	2	3	Mikhail GOODKOVSKY	0 - 1	2:00	YUS

## Results

Pos	Name
1	Mikhail GOODKOVSKY, Champion Judo Club
2	Matei DUMITRACHE, Abbotsford Judo Club
3	Ociel MAZA, White Rock Judo Club

# U10 Boys -30kg

## Competitors

#	Name	Grade	Club	1	2	1	2	1	2	Wins	Pts	Pos
1	Xander HWANG (21,00)	Orange	Budokan Judo Dojo - Seat	XX		XX		XX		0	0	2
2	Ewen LE BRIS (27,50)	Orange	Burnaby Judo Club	10	XX	10	XX		XX	2	20	1

## Matches

Match	White			Blue	Result	Time	Code
1	Xander HWANG	1	2	Ewen LE BRIS	0 - 10	1:40	IPO
2	Ewen LE BRIS	2	1	Xander HWANG	10 - 0	1:21	IPO
3	Xander HWANG	1	2	Ewen LE BRIS			

## Results

Pos	Name
1	Ewen LE BRIS, Burnaby Judo Club
2	Xander HWANG, Budokan Judo Dojo - Seattle

# U10 Girls - Novice-26kg

## Competitors

#	Name	Grade	Club	1	2	3	4	5	Wins	Pts	Pos
1	Sarah DARMADI (24,00)	Yellow/Jau	Nanaimo Judo Club	XX	2			10	2	12	4
2	Jaycie DYCK (24,70)	Yellow/Jau	Hart Judo Academy		XX				0	0	5
3	Ai OFRENEO (25,00)	Yellow/Jau	Burnaby Judo Club	5	10	XX	10	10	4	35	1
4	Leeloo DAIZ (25,00)	YelOr/Jau	Champion Judo Club	5	10		XX		2	15	3
5	Aniko MCKEOWN (25,00)	Yellow/Jau	White Rock Judo Club		10		10	XX	2	20	2

## Matches

Match	White		Blue		Result	Time	Code
1	Leeloo DAIZ	4	5	Aniko MCKEOWN	0 - 10	2:00	WIP
2	Sarah DARMADI	1	2	Jaycie DYCK	2 - 0	2:00	
3	Ai OFRENEO	3	4	Leeloo DAIZ	10 - 0	2:00	WIP
4	Sarah DARMADI	1	5	Aniko MCKEOWN	10 - 0	2:00	WIP
5	Jaycie DYCK	2	3	Ai OFRENEO	0 - 10	1:35	IPO
6	Sarah DARMADI	1	4	Leeloo DAIZ	0 - 5	2:00	WAZ
7	Ai OFRENEO	3	5	Aniko MCKEOWN	10 - 0	1:28	WIP
8	Jaycie DYCK	2	4	Leeloo DAIZ	0 - 10	1:43	IPO
9	Sarah DARMADI	1	3	Ai OFRENEO	0 - 5	1:32	WAZ
10	Jaycie DYCK	2	5	Aniko MCKEOWN	0 - 10	1:46	IPO

## Results

Pos	Name
1	Ai OFRENEO, Burnaby Judo Club
2	Aniko MCKEOWN, White Rock Judo Club
3	Leeloo DAIZ, Champion Judo Club
4	Sarah DARMADI, Nanaimo Judo Club
5	Jaycie DYCK, Hart Judo Academy

# U10 Girls - Novice-33kg

## Competitors

#	Name	Grade	Club	1	2	3	Wins	Pts	Pos
1	Anastasia CHUMAKOVA (33,00)	Yellow/Jau	White Rock Judo Club	XX			0	0	3
2	Dianna DEBANKS (31,00)	YelOr/Jau	White Rock Judo Club	10	XX	10	2	20	1
3	Vanessa SWEET (30,90)	Yellow/Jau	Steveston Judo Club	10		XX	1	10	2

## Matches

Match	White	Blue	Result	Time	Code
1	Anastasia CHUMAKOVA 1 2	Dianna DEBANKS	0 - 10	2:00	IPO
2	Anastasia CHUMAKOVA 1 3	Vanessa SWEET	0 - 10	2:00	IPO
3	Dianna DEBANKS 2 3	Vanessa SWEET	10 - 0	2:00	IPO

## Results

Pos	Name
1	Dianna DEBANKS, White Rock Judo Club
2	Vanessa SWEET, Steveston Judo Club
3	Anastasia CHUMAKOVA, White Rock Judo Club

# U12 Boys - Novice-24kg

## Competitors

#	Name	Grade	Club	1	2	1	2	1	2	Wins	Pts	Pos
1	Dylan BUCKLEY (24,00)	Yellow/Jaune	Capilano Seikidokan Judo Club	XX		XX		XX		0	0	2
2	Oliver MUKAI (23,00)	Yellow/Jaune	Burnaby Judo Club	10	XX	2	XX		XX	2	12	1

## Matches

Match	White		Blue	Result	Time	Code	
1	Dylan BUCKLEY	1	2	Oliver MUKAI	0 - 10	2:00	IPO
2	Oliver MUKAI	2	1	Dylan BUCKLEY	2 - 0	2:00	
3	Dylan BUCKLEY	1	2	Oliver MUKAI			

## Results

Pos	Name
1	Oliver MUKAI, Burnaby Judo Club
2	Dylan BUCKLEY, Capilano Seikidokan Judo Club



# U12 Boys - Novice-29kg

## Competitors

#	Name	Grade	Club	1	2	3	4	Wins	Pts	Pos
1	Sebastian TONG (29,00)	Yellow/Jau	Burnaby Judo Club	XX	10			1	10	3
2	Carter DOW (29,00)	YelOr/Jau	Hart Judo Academy		XX			0	0	4
3	Luke JENSEN (29,00)	YelOr/Jau	Steveston Judo Club	5	2	XX	10	3	17	1
4	Vladislav GAIDELIS (28,00)	YelOr/Jau	Capilano Seikidokan Judo	5	10		XX	2	15	2

## Matches

Match	White	Blue	Result	Time	Code
1	<b>Sebastian TONG</b>	1 2 Carter DOW	10 - 0	2:00	IPO
2	<b>Luke JENSEN</b>	3 4 Vladislav GAIDELIS	10 - 0	1:07	IPO
3	Sebastian TONG	1 3 <b>Luke JENSEN</b>	0 - 5	1:42	WAZ
4	Carter DOW	2 4 <b>Vladislav GAIDELIS</b>	0 - 10	2:00	IPO
5	Sebastian TONG	1 4 <b>Vladislav GAIDELIS</b>	0 - 5	2:00	WAZ
6	Carter DOW	2 3 <b>Luke JENSEN</b>	0 - 2	0:34	

## Results

Pos	Name
1	Luke JENSEN, Steveston Judo Club
2	Vladislav GAIDELIS, Capilano Seikidokan Judo
3	Sebastian TONG, Burnaby Judo Club
4	Carter DOW, Hart Judo Academy

# U12 Boys - Novice-30kg

## Competitors

#	Name	Grade	Club	1	2	3	4	Wins	Pts	Pos
1	Ethan CARDONA (30,00)	YelOr/JauOr	Delta Kaigan Judo Club	XX			1	1	1	4
2	Ryan SCHALK (30,00)	YelOr/JauOr	Steveston Judo Club	5	XX			1	5	3
3	Aiden KIM (30,00)	YelOr/JauOr	Champion Judo Club	10	5	XX		2	15	2
4	Philip DARMADI (30,00)	YelOr/JauOr	Nanaimo Judo Club		10	10	XX	2	20	1

## Matches

Match	White		Blue		Result	Time	Code
1	Ethan CARDONA	1	2	Ryan SCHALK	0 - 5	2:00	WAZ
2	Aiden KIM	3	4	Philip DARMADI	0 - 10	2:00	IPO
3	Ethan CARDONA	1	3	Aiden KIM	0 - 10	2:00	IPO
4	Ryan SCHALK	2	4	Philip DARMADI	0 - 10	2:00	IPO
5	<b>Ethan CARDONA</b>	1	4	Philip DARMADI	1 - 0	2:00	YUS
6	Ryan SCHALK	2	3	Aiden KIM	0 - 5	2:00	WAZ

## Results

Pos	Name
1	Philip DARMADI, Nanaimo Judo Club
2	Aiden KIM, Champion Judo Club
3	Ryan SCHALK, Steveston Judo Club
4	Ethan CARDONA, Delta Kaigan Judo Club

# U12 Boys - Novice-33kg

## Competitors

#	Name	Grade	Club	1	2	3	Wins	Pts	Pos
1	Ethan CROWN (32,00)	YelOr/JauOr	Steveston Judo Club	XX			0	0	3
2	Eric ARUTYUNYAN (33,00)	YelOr/JauOr	Steveston Judo Club	5	XX	5	2	10	1
3	Masato TAKEKAWA (32,00)	YelOr/JauOr	Nanaimo Judo Club	1		XX	1	1	2

## Matches

Match	White			Blue	Result	Time	Code
1	Ethan CROWN	1	2	Eric ARUTYUNYAN	0 - 5	2:00	WAZ
B-1	Ethan CROWN	1	3	Masato TAKEKAWA	0 - 1	2:00	YUS
B-2	Eric ARUTYUNYAN	2	3	Masato TAKEKAWA	5 - 0	2:00	WAZ

## Results

Pos	Name
1	Eric ARUTYUNYAN, Steveston Judo Club
2	Masato TAKEKAWA, Nanaimo Judo Club
3	Ethan CROWN, Steveston Judo Club

# U12 Boys - Novice-35kg

## Competitors

#	Name	Grade	Club	1	2	3	4	5	Wins	Pts	Pos
1	Richard KLIMOVICH (35,00)	Yellow/Jau	Police Judo Junior	XX	2			10	2	12	3
2	Rex LIU (35,00)	Yellow/Jau	Nakashima Dojo Judo Club		XX				0	0	5
3	Orion ROTBART (35,00)	YelOr/Jau	Burnaby Judo Club	10	10	XX	10	5	4	35	1
4	Luca STEWART (34,20)	YelOr/Jau	Steveston Judo Club	10	10		XX		2	20	2
5	Kyle CHENG (35,00)	YelOr/Jau	Steveston Judo Club		10		2	XX	2	12	4

## Matches

Match	White				Blue				Result	Time	Code
1	Luca STEWART	4	5	Kyle CHENG					0 - 2	2:00	
2	Richard KLIMOVICH	1	2	Rex LIU					2 - 0	2:00	
3	Orion ROTBART	3	4	Luca STEWART					10 - 0	1:41	IPO
4	Richard KLIMOVICH	1	5	Kyle CHENG					10 - 0	2:00	IPO
5	Rex LIU	2	3	Orion ROTBART					0 - 10	1:16	IPO
6	Richard KLIMOVICH	1	4	Luca STEWART					0 - 10	2:00	IPO
7	Orion ROTBART	3	5	Kyle CHENG					5 - 0	2:00	WAZ
8	Rex LIU	2	4	Luca STEWART					0 - 10	2:00	IPO
9	Richard KLIMOVICH	1	3	Orion ROTBART					0 - 10	0:00	IPO
10	Rex LIU	2	5	Kyle CHENG					0 - 10	2:00	IPO

## Results

Pos	Name
1	Orion ROTBART, Burnaby Judo Club
2	Luca STEWART, Steveston Judo Club
3	Richard KLIMOVICH, Police Judo Junior
4	Kyle CHENG, Steveston Judo Club
5	Rex LIU, Nakashima Dojo Judo Club

# U12 Boys - Novice-38kg

## Competitors

#	Name	Grade	Club	1	2	3	4	Wins	Pts	Pos
1	James CLARK (36,28)	YelOr/JauOr	Steveston Judo Club	XX		10	10	2	20	1
2	Taiyo ITO (37,00)	YelOr/JauOr	Steveston Judo Club	10	XX			1	10	3
3	Sahvan AMAR (35,01)	YelOr/JauOr	White Rock Judo Club		10	XX	10	2	20	2
4	Maxan TOM (36,70)	Yellow/JauOr	Mile Zero Judo Club		1		XX	1	1	4

## Matches

Match	White		Blue		Result	Time	Code
B-2	James CLARK	1	2	Taiyo ITO	0 - 10	2:00	IPO
2	Sahvan AMAR	3	4	Maxan TOM	10 - 0	2:00	IPO
B-1	James CLARK	1	3	Sahvan AMAR	10 - 0	2:00	WIP
4	Taiyo ITO	2	4	Maxan TOM	0 - 1	2:00	YUS
B-1D	James CLARK	1	4	Maxan TOM	10 - 0	2:00	IPO
B-1C	Taiyo ITO	2	3	Sahvan AMAR	0 - 10	2:00	IPO

## Results

Pos	Name
1	James CLARK, Steveston Judo Club
2	Sahvan AMAR, White Rock Judo Club
3	Taiyo ITO, Steveston Judo Club
4	Maxan TOM, Mile Zero Judo Club

# U12 Boys - Novice-45kg

## Competitors

#	Name	Grade	Club	1	2	1	2	1	2	Wins	Pts	Pos
1	Ryder JENSEN (46,30)	YelOr/Jau	Steveston Judo Club	XX	10	XX	10	XX		2	20	1
2	Rodmun RASTBIN (40,00)	Yellow/Jau	Champion Judo Club		XX		XX		XX	0	0	2

## Matches

Match	White			Blue	Result	Time	Code
1	<b>Ryder JENSEN</b>	1	2	Rodmun RASTBIN	10 - 0	1:16	IPO
2	Rodmun RASTBIN	2	1	<b>Ryder JENSEN</b>	0 - 10	0:00	FUS
3	Ryder JENSEN	1	2	Rodmun RASTBIN			

## Results

Pos	Name
1	Ryder JENSEN, Steveston Judo Club
2	Rodmun RASTBIN, Champion Judo Club

# U12 Boys - Novice-48kg

## Competitors

#	Name	Grade	Club	1	2	1	2	1	2	Wins	Pts	Pos
1	William MILBURN (48,20)	Yellow/Jau	Westminster Judo Club	XX		XX	10	XX	10	2	20	1
2	Michael MAKARCHUK (44,00)	YelOr/Jau	Steveston Judo Club	5	XX		XX		XX	1	5	2

## Matches

Match	White				Blue				Result	Time	Code		
1	William MILBURN				1	2	Michael MAKARCHUK				0 - 5	2:00	WAZ
2	Michael MAKARCHUK				2	1	William MILBURN				0 - 10	1:19	KIK
3	William MILBURN				1	2	Michael MAKARCHUK				10 - 0	0:00	KIK

## Results

Pos	Name
1	William MILBURN, Westminster Judo Club
2	Michael MAKARCHUK, Steveston Judo Club

# U12 Boys -30kg

## Competitors

#	Name	Grade	Club	1	2	3	4	5	Wins	Pts	Pos
1	Maxwell ROBERTSON (30,00)	Orange	White Rock Judo Club	XX	10		10		2	20	2
2	Lawren WONG (25,00)	OraGr/Ora	Nakashima Dojo Judo Club		XX	5		10	2	15	3
3	Sebastian PARKER (27,20)	Orange	Barracuda Judo Club	10		XX			1	10	5
4	Ewen LE BRIS (27,50)	Orange	Burnaby Judo Club		10	5	XX	10	3	25	1
5	Logan KO (28,00)	Orange	Burnaby Judo Club	5		10		XX	2	15	4

## Matches

Match	White			Blue	Result	Time	Code
1	<b>Ewen LE BRIS</b>	4	5	Logan KO	10 - 0	2:00	IPO
2	<b>Maxwell ROBERTSON</b>	1	2	Lawren WONG	10 - 0	2:00	IPO
3	Sebastian PARKER	3	4	<b>Ewen LE BRIS</b>	0 - 5	0:31	KIK
4	Maxwell ROBERTSON	1	5	<b>Logan KO</b>	0 - 5	2:00	WAZ
5	<b>Lawren WONG</b>	2	3	Sebastian PARKER	5 - 0	2:00	WAZ
6	<b>Maxwell ROBERTSON</b>	1	4	Ewen LE BRIS	10 - 0	0:23	KIK
B-1C	Sebastian PARKER	3	5	<b>Logan KO</b>	0 - 10	1:43	KIK
8	Lawren WONG	2	4	<b>Ewen LE BRIS</b>	0 - 10	2:00	IPO
9	Maxwell ROBERTSON	1	3	<b>Sebastian PARKER</b>	0 - 10	0:00	KIK
B-1	<b>Lawren WONG</b>	2	5	Logan KO	10 - 0	2:00	IPO

## Results

Pos	Name
1	Ewen LE BRIS, Burnaby Judo Club
2	Maxwell ROBERTSON, White Rock Judo Club
3	Lawren WONG, Nakashima Dojo Judo Club
4	Logan KO, Burnaby Judo Club
5	Sebastian PARKER, Barracuda Judo Club



# U12 Boys -35kg

## Competitors

#	Name	Grade	Club	1	2	3	4	5	Wins	Pts	Pos
1	Dylan PAREKH (31,00)	Orange	Burnaby Judo Club	XX					0	0	5
2	Yegor SHEVCHENKO (33,00)	Green/Ver	Champion Judo Club	10	XX				1	10	4
3	Yuri OLLENBERGER (35,00)	OraGr/Ora	Abbotsford Judo Club	10	1	XX			2	11	3
4	Amir TEMIRBAEV (32,00)	Green/Ver	Burnaby Judo Club	2	10	5	XX	1	4	18	1
5	Akhmed LOLIEV (31,00)	Green/Ver	Burnaby Judo Club	5	5	1		XX	3	11	2

## Matches

Match	White			Blue	Result	Time	Code
1	<b>Amir TEMIRBAEV</b>	4	5	Akhmed LOLIEV	1 - 0	2:00	YUS
2	Dylan PAREKH	1	2	<b>Yegor SHEVCHENKO</b>	0 - 10	2:00	IPO
3	Yuri OLLENBERGER	3	4	<b>Amir TEMIRBAEV</b>	0 - 5	2:00	WAZ
4	Dylan PAREKH	1	5	<b>Akhmed LOLIEV</b>	0 - 5	2:00	WAZ
5	Yegor SHEVCHENKO	2	3	<b>Yuri OLLENBERGER</b>	0 - 1	2:00	YUS
6	Dylan PAREKH	1	4	<b>Amir TEMIRBAEV</b>	0 - 2	2:00	
7	Yuri OLLENBERGER	3	5	<b>Akhmed LOLIEV</b>	0 - 1	2:00	YUS
8	Yegor SHEVCHENKO	2	4	<b>Amir TEMIRBAEV</b>	0 - 10	2:00	WIP
9	Dylan PAREKH	1	3	<b>Yuri OLLENBERGER</b>	0 - 10	2:00	WIP
10	Yegor SHEVCHENKO	2	5	<b>Akhmed LOLIEV</b>	0 - 5	2:00	WAZ

## Results

Pos	Name
1	Amir TEMIRBAEV, Burnaby Judo Club
2	Akhmed LOLIEV, Burnaby Judo Club
3	Yuri OLLENBERGER, Abbotsford Judo Club
4	Yegor SHEVCHENKO, Champion Judo Club
5	Dylan PAREKH, Burnaby Judo Club

# U12 Boys -40kg

## Competitors

#	Name	Grade	Club	1	2	3	4	Wins	Pts	Pos
1	Lucas FOSTER (38,00)	Orange	Abbotsford Judo Club	XX			10	1	10	3
2	William GRAY (39,00)	Orange	Abbotsford Judo Club	1	XX		1	2	2	2
3	Lex HWANG (38,00)	Orange	Budokan Judo Dojo - Seat 1	10		XX	10	3	21	1
4	Patton ANDREASSEN (38,00)	Orange	Abbotsford Judo Club				XX	0	0	4

## Matches

Match	White		Blue	Result	Time	Code	
1	Lucas FOSTER	1	2	<b>William GRAY</b>	0 - 1	0:00	YUS
2	<b>Lex HWANG</b>	3	4	Patton ANDREASSEN	10 - 0	2:00	IPO
3	Lucas FOSTER	1	3	<b>Lex HWANG</b>	0 - 1	2:00	YUS
4	<b>William GRAY</b>	2	4	Patton ANDREASSEN	1 - 0	2:00	YUS
5	<b>Lucas FOSTER</b>	1	4	Patton ANDREASSEN	10 - 0	2:00	IPO
6	William GRAY	2	3	<b>Lex HWANG</b>	0 - 10	2:00	WIP

## Results

Pos	Name
1	Lex HWANG, Budokan Judo Dojo - Seattle
2	William GRAY, Abbotsford Judo Club
3	Lucas FOSTER, Abbotsford Judo Club
4	Patton ANDREASSEN, Abbotsford Judo Club

# U12 Girls - Novice-31kg

## Competitors

#	Name	Grade	Club	1	2	3	4	Wins	Pts	Pos
1	Kayleigh MEISTERMAN (30,00)	Yellow/Jau	Steveston Judo Club	XX	10		10	2	20	2
2	Lillian CHIZIK (31,00)	YelOr/Jau	Hart Judo Academy		XX			0	0	4
3	Anju ROBERTS (23,50)	Yellow/Jau	Westminster Judo Club	10	2	XX	5	3	17	1
4	Grace BRADSHAW (30,00)	Yellow/Jau	Police Judo Junior		10		XX	1	10	3

## Matches

Match	White		Blue		Result	Time	Code
D-1	<b>Kayleigh MEISTERMAN</b>	1 2	Lillian CHIZIK		10 - 0	1:54	IPO
2	<b>Anju ROBERTS</b>	3 4	Grace BRADSHAW		5 - 0	2:00	WAZ
3	Kayleigh MEISTERMAN	1 3	<b>Anju ROBERTS</b>		0 - 10	2:00	IPO
4	Lillian CHIZIK	2 4	<b>Grace BRADSHAW</b>		0 - 10	2:00	WIP
D-1	<b>Kayleigh MEISTERMAN</b>	1 4	Grace BRADSHAW		10 - 0	2:00	IPO
6	Lillian CHIZIK	2 3	<b>Anju ROBERTS</b>		0 - 2	2:00	

## Results

Pos	Name
1	Anju ROBERTS, Westminster Judo Club
2	Kayleigh MEISTERMAN, Steveston Judo Club
3	Grace BRADSHAW, Police Judo Junior
4	Lillian CHIZIK, Hart Judo Academy

# U12 Girls - Novice-36kg

## Competitors

#	Name	Grade	Club	1	2	1	2	1	2	Wins	Pts	Pos
1	Grace GREENWOOD (39,00)	YelOr/JauOr	Hart Judo Academy	XX		XX		XX		0	0	2
2	Celeste HENDERSON (35,00)	YelOr/JauOr	Nakashima Dojo Judo Club	5	XX	1	XX		XX	2	6	1

## Matches

Match	White			Blue	Result	Time	Code
1	Grace GREENWOOD	1	2	<b>Celeste HENDERSON</b>	0 - 5	2:00	WAZ
2	<b>Celeste HENDERSON</b>	2	1	Grace GREENWOOD	1 - 0	2:00	YUS
3	Grace GREENWOOD	1	2	Celeste HENDERSON			

## Results

Pos	Name
1	Celeste HENDERSON, Nakashima Dojo Judo Club
2	Grace GREENWOOD, Hart Judo Academy

# U12 Girls - Novice-44kg

## Competitors

#	Name	Grade	Club	1	2	1	2	1	2	Wins	Pts	Pos
1	Zoey LAZINCHUCK (42,00)	Yellow/Jau	Mile Zero Judo Club	XX	10	XX	10	XX		2	20	1
2	Klara SUH (42,00)	YelOr/Jau	Champion Judo Club		XX		XX		XX	0	0	2

## Matches

Match	White			Blue	Result	Time	Code
B-1	<b>Zoey LAZINCHUCK</b>	1	2	Klara SUH	10 - 0	1:21	IPO
2	Klara SUH	2	1	<b>Zoey LAZINCHUCK</b>	0 - 10	1:27	WIP
3	Zoey LAZINCHUCK	1	2	Klara SUH			

## Results

Pos	Name
1	Zoey LAZINCHUCK, Mile Zero Judo Club
2	Klara SUH, Champion Judo Club

# U12 Girls - Novice-51kg

## Competitors

#	Name	Grade	Club	1	2	1	2	1	2	Wins	Pts	Pos
1	Sofia BERNARDO (48,00)	YelOr/JauOr	Capilano Seikidokan Judo Club	XX		XX		XX		0	0	2
2	Lynden MAIN (47,50)	Yellow/JauOr	Delta Kaigan Judo Club	10	XX	10	XX		XX	2	20	1

## Matches

Match	White			Blue	Result	Time	Code
1	Sofia BERNARDO	1	2	Lynden MAIN	0 - 10	2:00	IPO
2	Lynden MAIN	2	1	Sofia BERNARDO	10 - 0	2:00	IPO
3	Sofia BERNARDO	1	2	Lynden MAIN			

## Results

Pos	Name
1	Lynden MAIN, Delta Kaigan Judo Club
2	Sofia BERNARDO, Capilano Seikidokan Judo Club

# U12 Girls -33kg

## Competitors

#	Name	Grade	Club	1	2	3	4	Wins	Pts	Pos
1	Megan AU (29,00)	Orange	Burnaby Judo Club	XX	5	5	10	3	20	1
2	Vanessa COVASER (26,00)	Orange	Burnaby Judo Club		XX	10		1	10	3
3	Wish KEIRSTEAD (29,00)	Orange	Millbay Judo			XX		0	0	4
4	Bea CHON (31,00)	Orange	White Rock Judo Club		5	1	XX	2	6	2

## Matches

Match	White			Blue	Result	Time	Code
1	<b>Megan AU</b>	1	2	Vanessa COVASER	5 - 0	2:00	WAZ
C-1	Wish KEIRSTEAD	3	4	<b>Bea CHON</b>	0 - 1	2:00	YUS
3	<b>Megan AU</b>	1	3	Wish KEIRSTEAD	5 - 0	2:00	WAZ
4	Vanessa COVASER	2	4	<b>Bea CHON</b>	0 - 5	2:00	WAZ
5	<b>Megan AU</b>	1	4	Bea CHON	10 - 0	2:00	IPO
6	<b>Vanessa COVASER</b>	2	3	Wish KEIRSTEAD	10 - 0	2:00	IPO

## Results

Pos	Name
1	Megan AU, Burnaby Judo Club
2	Bea CHON, White Rock Judo Club
3	Vanessa COVASER, Burnaby Judo Club
4	Wish KEIRSTEAD, Millbay Judo

# U12 Girls -40kg

## Competitors

#	Name	Grade	Club	1	2	1	2	1	2	Wins	Pts	Pos
1	Vanessa DEBANKS (38,00)	OraGr/Ora	White Rock Judo Club	XX		XX		XX		0	0	2
2	Sachiko DAVIS (38,18)	Green/Ver	Zenyu Judo Dojo	1	XX	1	XX		XX	2	2	1

## Matches

Match	White			Blue	Result	Time	Code
1	Vanessa DEBANKS	1	2	<b>Sachiko DAVIS</b>	0 - 1	2:00	YUS
2	<b>Sachiko DAVIS</b>	2	1	Vanessa DEBANKS	1 - 0	2:00	YUS
3	Vanessa DEBANKS	1	2	Sachiko DAVIS			

## Results

Pos	Name
1	Sachiko DAVIS, Zenyu Judo Dojo
2	Vanessa DEBANKS, White Rock Judo Club



# U14 Men - Novice-36kg

## Competitors

#	Name	Grade	Club	1	2	3	Wins	Pts	Pos
1	Eli OWENSON (36,00)	YelOr/JauOr	Steveston Judo Club	XX		10	1	10	2
2	Alexander BREIMAN (0,00)	Yellow/JauOr	Steveston Judo Club	10	XX	10	2	20	1
3	Julian MARSHALL (31,00)	Yellow/JauOr	Williams Lake Judo Club			XX	0	0	3

## Matches

Match	White			Blue	Result	Time	Code
1	Eli OWENSON	1	2	<b>Alexander BREIMAN</b>	0 - 10	0:12	IPO
2	<b>Eli OWENSON</b>	1	3	Julian MARSHALL	10 - 0	0:24	IPO
3	<b>Alexander BREIMAN</b>	2	3	Julian MARSHALL	10 - 0	2:31	IPO

## Results

Pos	Name
1	Alexander BREIMAN, Steveston Judo Club
2	Eli OWENSON, Steveston Judo Club
3	Julian MARSHALL, Williams Lake Judo Club

# U14 Men - Novice-42kg

## Competitors

#	Name	Grade	Club	1	2	3	4	Wins	Pts	Pos
1	Desmond TO (38,60)	Yellow/Jaune	Nakashima Dojo Judo Club	XX		10	10	2	20	2
2	Ibrakhim TILEUZHAN (40,00)	YelOr/JauOr	Burnaby Judo Club	10	XX		10	2	20	3
3	Tyler CAMPBELL (37,00)	YelOr/JauOr	Aberdeen Judo Academy		10	XX	10	2	20	1
4	Kelsey DAVIDSON (37,00)	Yellow/Jaune	Champion Judo Club				XX	0	0	4

## Matches

Match	White		Blue	Result	Time	Code
1	Desmond TO	1 2	Ibrakhim TILEUZHAN	0 - 10	3:00	IPO
2	Tyler CAMPBELL	3 4	Kelsey DAVIDSON	10 - 0	0:15	IPO
3	Desmond TO	1 3	Tyler CAMPBELL	10 - 0	1:36	IPO
4	Ibrakhim TILEUZHAN	2 4	Kelsey DAVIDSON	10 - 0	1:10	IPO
5	Desmond TO	1 4	Kelsey DAVIDSON	10 - 0	0:49	IPO
6	Ibrakhim TILEUZHAN	2 3	Tyler CAMPBELL	0 - 10	0:27	IPO

## Results

Pos	Name
1	Tyler CAMPBELL, Aberdeen Judo Academy
1	Desmond TO, Nakashima Dojo Judo Club
1	Ibrakhim TILEUZHAN, Burnaby Judo Club
1	Kelsey DAVIDSON, Champion Judo Club

# U14 Men - Novice-55kg

## Competitors

#	Name	Grade	Club	1	2	3	4	Wins	Pts	Pos
1	Otto TIBBE (54,00)	Yellow/Jau	White Rock Judo Club	XX	10	10	1	3	21	1
2	Jackson KIRINCIC (50,00)	Yellow/Jau	White Rock Judo Club		XX			0	0	4
3	Westley Yuuki DOTY (55,00)	YelOr/Jau	Budokan Judo Dojo - Seatt		10	XX		1	10	3
4	Evan GHANASON (49,00)	Yellow/Jau	Burnaby Judo Club		10	10	XX	2	20	2

## Matches

Match	White	Blue	Result	Time	Code
1	<b>Otto TIBBE</b>	Jackson KIRINCIC	10 - 0	0:28	IPO
2	Westley Yuuki DOTY	<b>Evan GHANASON</b>	0 - 10	0:29	IPO
3	<b>Otto TIBBE</b>	Westley Yuuki DOTY	10 - 0	2:03	IPO
4	Jackson KIRINCIC	<b>Evan GHANASON</b>	0 - 10	0:18	IPO
5	<b>Otto TIBBE</b>	Evan GHANASON	1 - 0	3:00	YUS
6	Jackson KIRINCIC	<b>Westley Yuuki DOTY</b>	0 - 10	1:29	IPO

## Results

Pos	Name
1	Otto TIBBE, White Rock Judo Club
2	Evan GHANASON, Burnaby Judo Club
3	Westley Yuuki DOTY, Budokan Judo Dojo - Seatt
4	Jackson KIRINCIC, White Rock Judo Club

# U14 Men - Novice+66kg

## Competitors

#	Name	Grade	Club	1	2	1	2	1	2	Wins	Pts	Pos
1	Cole KURSAR (59,00)	Yellow/Junior	White Rock Judo Club	XX		XX	1	XX		1	1	2
2	Daniel LI (66,00)	Yellow/Junior	Police Judo Junior	10	XX		XX	10	XX	2	20	1

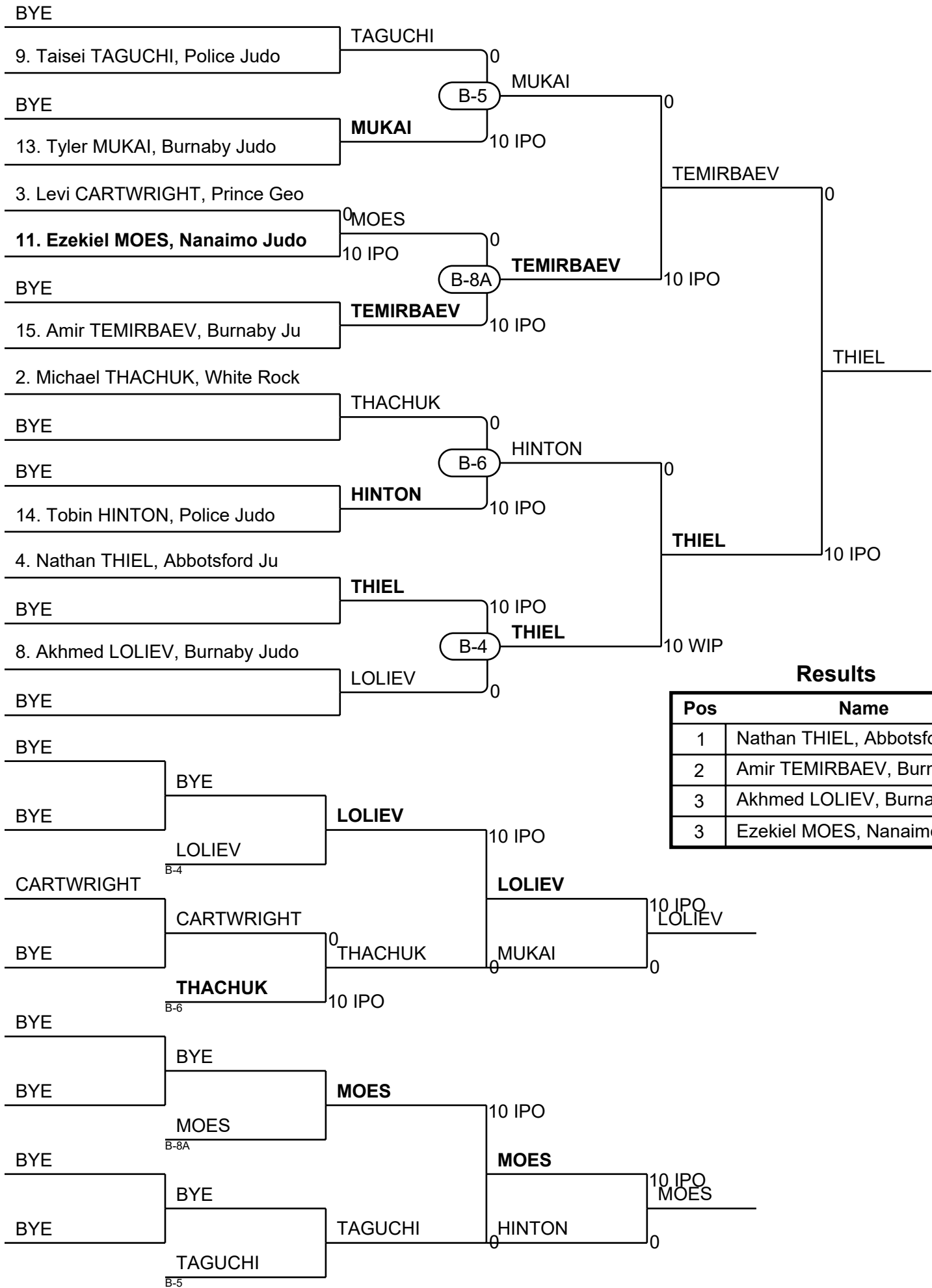
## Matches

Match	White	Blue	Result	Time	Code
1	Cole KURSAR 1 2	Daniel LI	0 - 10	2:54	IPO
2	Daniel LI 2 1	Cole KURSAR	0 - 1	3:00	YUS
3	Cole KURSAR 1 2	Daniel LI	0 - 10	1:53	IPO

## Results

Pos	Name
1	Daniel LI, Police Judo Junior
2	Cole KURSAR, White Rock Judo Club

# U14 Men -34kg



# U14 Men -38kg

## Competitors

#	Name	Grade	Club	1	2	3	Wins	Pts	Pos
1	Maxon MORI (0,00)	Orange	Steveston Judo Club	XX			0	0	3
2	Adam SCHALK (0,00)	Orange	Steveston Judo Club	5	XX	10	2	15	1
3	Kio LIBAL (35,80)	Orange	Police Judo Junior	10		XX	1	10	2

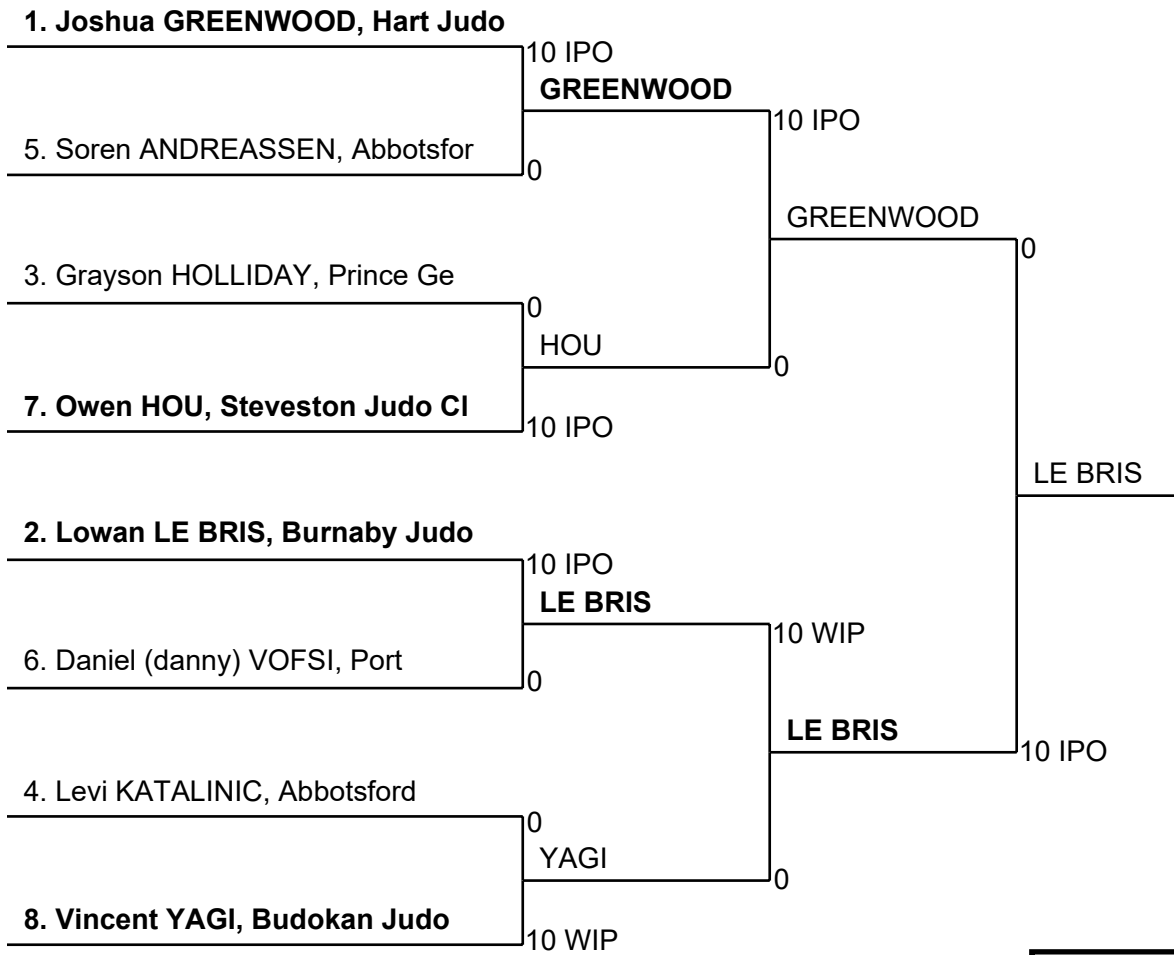
## Matches

Match	White			Blue	Result	Time	Code
1	Maxon MORI	1	2	Adam SCHALK	0 - 5	3:00	WAZ
2	Maxon MORI	1	3	Kio LIBAL	0 - 10	1:50	IPO
3	Adam SCHALK	2	3	Kio LIBAL	10 - 0	1:13	IPO

## Results

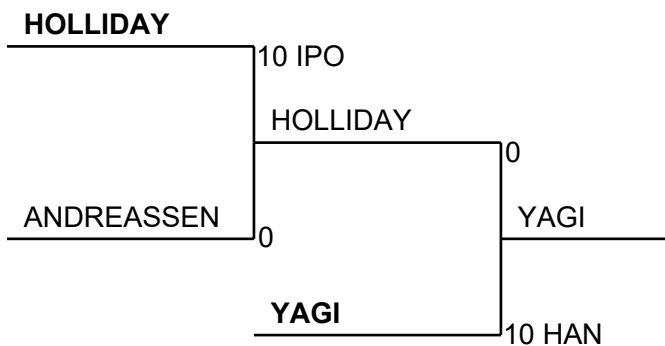
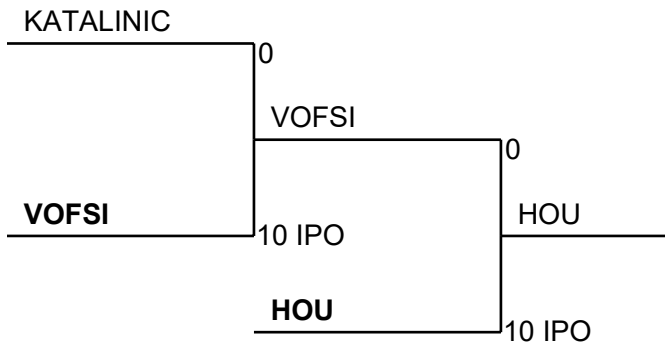
Pos	Name
1	Adam SCHALK, Steveston Judo Club
2	Kio LIBAL, Police Judo Junior
3	Maxon MORI, Steveston Judo Club

# U14 Men -42kg



## Results

Pos	Name
1	Lowan LE BRIS, Burnaby Jud
2	Joshua GREENWOOD, Hart Jud
3	Owen HOU, Steveston Judo C
3	Vincent YAGI, Budokan Judo



# U14 Men -46kg

## Competitors

#	Name	Grade	Club	1	2	1	2	1	2	Wins	Pts	Pos
1	Odin ELLINGSON (45,00)	Green/Vert	Abbotsford Judo Club	XX		XX		XX		0	0	2
2	Zachary HARRIS (45,00)	Blue/Bleue	Abbotsford Judo Club	10	XX	10	XX		XX	2	20	1

## Matches

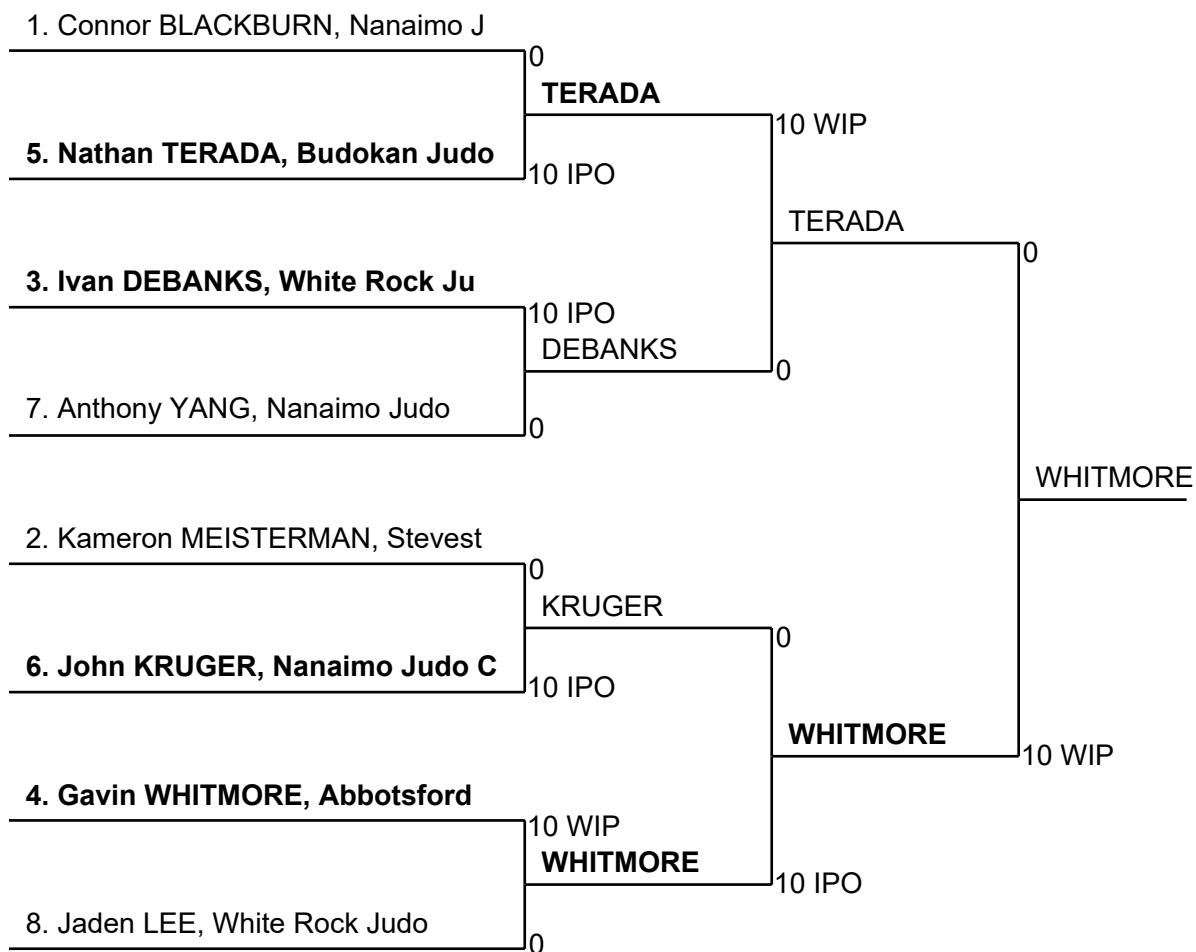
Match	White		Blue		Result	Time	Code
B-8	Odin ELLINGSON	1	2	<b>Zachary HARRIS</b>	0 - 10	0:41	IPO
B-9B	<b>Zachary HARRIS</b>	2	1	Odin ELLINGSON	10 - 0	1:42	IPO
3	Odin ELLINGSON	1	2	Zachary HARRIS			

## Results

Pos	Name
1	Zachary HARRIS, Abbotsford Judo Club
2	Odin ELLINGSON, Abbotsford Judo Club

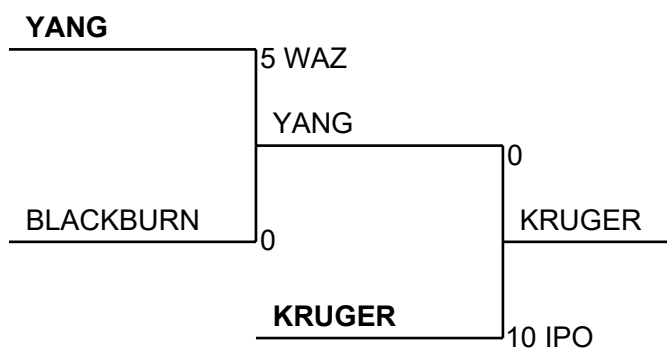
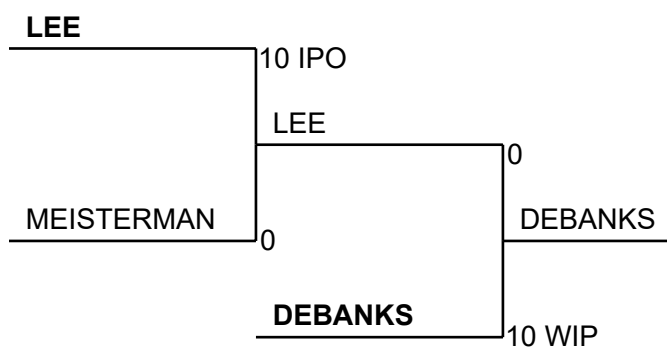


# U14 Men -50kg



## Results

Pos	Name
1	Gavin WHITMORE, Abbotsford
2	Nathan TERADA, Budokan Jud
3	Ivan DEBANKS, White Rock J
3	John KRUGER, Nanaimo Judo



# U14 Men -55kg

## Competitors

#	Name	Grade	Club	1	2	3	4	5	Wins	Pts	Pos
1	William IKARI (0,00)	Orange	Police Judo Junior	XX					0	0	5
2	Jonathan DYDZUK (0,00)	Green/Vert	Abbotsford Judo Club	10	XX				1	10	4
3	Anthony VOFSI (0,00)	Orange	Port Coquitlam Judo Club	10	5	XX			2	15	3
4	Gleb GOODKOVSKY (0,00)	Orange	Champion Judo Club	10	5	10	XX	10	4	35	1
5	Matthew YUN (0,00)	Orange	Champion Judo Club	10	10	10		XX	3	30	2

## Matches

Match	White			Blue	Result	Time	Code
B-2	<b>Gleb GOODKOVSKY</b>	4	5	Matthew YUN	10 - 0	0:46	IPO
B-7	William IKARI	1	2	<b>Jonathan DYDZUK</b>	0 - 10	1:24	WIP
3	Anthony VOFSI	3	4	<b>Gleb GOODKOVSKY</b>	0 - 10	0:08	IPO
B-9A	William IKARI	1	5	<b>Matthew YUN</b>	0 - 10	0:33	IPO
B-3	Jonathan DYDZUK	2	3	<b>Anthony VOFSI</b>	0 - 5	3:00	WAZ
B-8B	William IKARI	1	4	<b>Gleb GOODKOVSKY</b>	0 - 10	0:18	IPO
7	Anthony VOFSI	3	5	<b>Matthew YUN</b>	0 - 10	1:25	IPO
8	Jonathan DYDZUK	2	4	<b>Gleb GOODKOVSKY</b>	0 - 5	3:00	WAZ
9	William IKARI	1	3	<b>Anthony VOFSI</b>	0 - 10	1:26	IPO
10	Jonathan DYDZUK	2	5	<b>Matthew YUN</b>	0 - 10	1:55	IPO

## Results

Pos	Name
1	Gleb GOODKOVSKY, Champion Judo Club
2	Matthew YUN, Champion Judo Club
3	Anthony VOFSI, Port Coquitlam Judo Club
4	Jonathan DYDZUK, Abbotsford Judo Club
5	William IKARI, Police Judo Junior

# U14 Women - Novice-48kg

## Competitors

#	Name	Grade	Club	1	2	1	2	1	2	Wins	Pts	Pos
1	Nayeli MAZA (45,00)	Yellow/Jau	White Rock Judo Club	XX	10	XX	10	XX		2	20	1
2	Brook DEVUYST (42,00)	YelOr/Jau	Mile Zero Judo Club		XX		XX		XX	0	0	2

## Matches

Match	White			Blue	Result	Time	Code
1	<b>Nayeli MAZA</b>	1	2	Brook DEVUYST	10 - 0	2:06	IPO
2	Brook DEVUYST	2	1	<b>Nayeli MAZA</b>	0 - 10	1:25	IPO
3	Nayeli MAZA	1	2	Brook DEVUYST			

## Results

Pos	Name
1	Nayeli MAZA, White Rock Judo Club
2	Brook DEVUYST, Mile Zero Judo Club

# U14 Women -32kg

## Competitors

#	Name	Grade	Club	1	2	1	2	1	2	Wins	Pts	Pos
1	Jenna COMEAU (0,00)	OraGr/Ora	Abbotsford Judo Club	XX	10	XX	10	XX		2	20	1
2	Bea CHON (0,00)	Orange	White Rock Judo Club		XX		XX		XX	0	0	2

## Matches

Match	White			Blue	Result	Time	Code
1	Jenna COMEAU	1	2	Bea CHON	10 - 0	1:16	WIP
2	Bea CHON	2	1	Jenna COMEAU	0 - 10	0:00	KIK
3	Jenna COMEAU	1	2	Bea CHON			

## Results

Pos	Name
1	Jenna COMEAU, Abbotsford Judo Club
2	Bea CHON, White Rock Judo Club

# U14 Women -36kg

## Competitors

#	Name	Grade	Club	1	2	1	2	1	2	Wins	Pts	Pos
1	Jenna KO (0,00)	Green/Ver	Burnaby Judo Club	XX		XX	1	XX	5	2	6	1
2	Natalie BONSI (0,00)	Orange	Budokan Judo Dojo - Seat	10	XX		XX		XX	1	10	2

## Matches

Match	White		Blue	Result	Time	Code	
1	Jenna KO	1	2	Natalie BONSI	0 - 10	2:12	IPO
2	Natalie BONSI	2	1	Jenna KO	0 - 1	6:00	YUS
3	Jenna KO	1	2	Natalie BONSI	5 - 0	3:00	WAZ

## Results

Pos	Name
1	Jenna KO, Burnaby Judo Club
2	Natalie BONSI, Budokan Judo Dojo - Seattle

# U14 Women -40kg

## Competitors

#	Name	Grade	Club	1	2	3	Wins	Pts	Pos
1	Leanna AU (0,00)	Green/Ver	Burnaby Judo Club	XX	10	10	2	20	1
2	Vanessa DEBANKS (0,00)	OraGr/Ora	White Rock Judo Club		XX		0	0	3
3	Carla VAN ZYL (0,00)	Green/Ver	Hart Judo Academy		10	XX	1	10	2

## Matches

Match	White			Blue	Result	Time	Code
B-9	<b>Leanna AU</b>	1	2	Vanessa DEBANKS	10 - 0	0:39	IPO
2	<b>Leanna AU</b>	1	3	Carla VAN ZYL	10 - 0	0:34	IPO
B-1	Vanessa DEBANKS	2	3	<b>Carla VAN ZYL</b>	0 - 10	0:36	IPO

## Results

Pos	Name
1	Leanna AU, Burnaby Judo Club
2	Carla VAN ZYL, Hart Judo Academy
3	Vanessa DEBANKS, White Rock Judo Club

# U14 Women -44kg

## Competitors A

#	Name	Grade	Club	1	2	3	4	Wins	Pts	Pos
1	Kaiya KOBAYASHI (0,00)	Orange	Kamloops Judo Club	XX				0	0	4
2	Kaiya BONIFACIO (0,00)	Green/Ver	Budokan Judo Dojo - Seat	10	XX		1	2	11	2
3	Sophia SHEVCHENKO (0,00)	Green/Ver	Champion Judo Club	10	10	XX	5	3	25	1
4	Athena VELONAS (0,00)	OraGr/Ora	Abbotsford Judo Club	10			XX	1	10	3

## Matches A

Match	White	Blue	Result	Time	Code
D-2	Kaiya KOBAYASHI 1 2	Kaiya BONIFACIO	0 - 10	0:26	IPO
D-1	Sophia SHEVCHENKO 3 4	Athena VELONAS	5 - 0	3:00	WAZ
D-1D	Kaiya KOBAYASHI 1 3	Sophia SHEVCHENKO	0 - 10	0:14	IPO
5	Kaiya BONIFACIO 2 4	Athena VELONAS	1 - 0	3:00	YUS
7	Kaiya KOBAYASHI 1 4	Athena VELONAS	0 - 10	2:05	IPO
8	Kaiya BONIFACIO 2 3	Sophia SHEVCHENKO	0 - 10	0:17	IPO

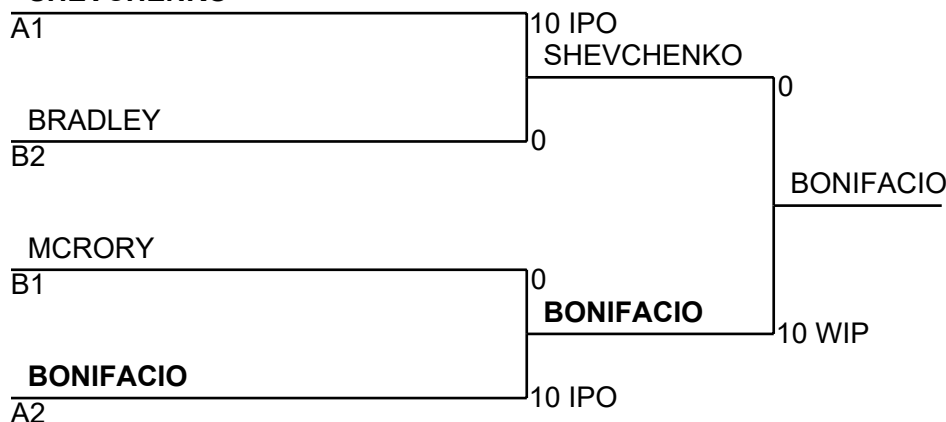
## Competitors B

#	Name	Grade	Club	5	6	7	Wins	Pts	Pos
5	Jordyn MCRORY (0,00)	Green/Ver	Abbotsford Judo Club	XX	10	10	2	20	1
6	Clare BOULDING (0,00)	Orange	Nanaimo Judo Club		XX		0	0	3
7	Ava BRADLEY (0,00)	Orange	Steveston Judo Club		10	XX	1	10	2

## Matches B

Match	White	Blue	Result	Time	Code
3	Jordyn MCRORY 5 6	Clare BOULDING	10 - 0	2:06	IPO
6	Jordyn MCRORY 5 7	Ava BRADLEY	10 - 0	0:58	IPO
9	Clare BOULDING 6 7	Ava BRADLEY	0 - 10	2:08	WIP

### SHEVCHENKO



## Results

Pos	Name
1	Kaiya BONIFACIO, Budokan Judo Dojo - Seattle
2	Sophia SHEVCHENKO, Champion Judo Club
3	Ava BRADLEY, Steveston Judo Club
3	Jordyn MCRORY, Abbotsford Judo Club

# U14 Women -48kg

## Competitors A

#	Name	Grade	Club	1	2	3	Wins	Pts	Pos
1	Mari Therez SILUD (0,00)	Orange	Burnaby Judo Club	XX			0	0	3
2	Sayjah VIEAUX (47,20)	Green/Ver	Nanaimo Judo Club	10	XX	10	2	20	1
3	Annika MICHALUK (47,00)	OraGr/Ora	Shidokai Judo	10		XX	1	10	2

## Matches A

Match	White	Blue	Result	Time	Code
D-1	Mari Therez SILUD 1 2	Sayjah VIEAUX	0 - 10	0:39	IPO
D-1	Mari Therez SILUD 1 3	Annika MICHALUK	0 - 10	0:44	WIP
5	Sayjah VIEAUX 2 3	Annika MICHALUK	10 - 0	0:35	IPO

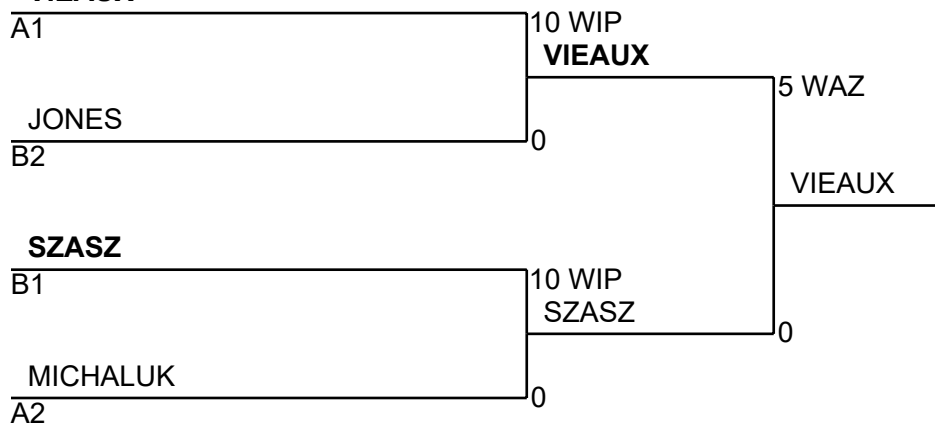
## Competitors B

#	Name	Grade	Club	4	5	6	Wins	Pts	Pos
4	Aiko TAMAYOSE (0,00)	Orange	Steveston Judo Club	XX			0	0	3
5	Nevada JONES (0,00)	Green/Ver	Prince George Judo Club	10	XX		1	10	2
6	Kipling SZASZ (0,00)	Green/Ver	Nanaimo Judo Club	10	10	XX	2	20	1

## Matches B

Match	White	Blue	Result	Time	Code
2	Aiko TAMAYOSE 4 5	Nevada JONES	0 - 10	1:11	WIP
4	Aiko TAMAYOSE 4 6	Kipling SZASZ	0 - 10	0:58	WIP
6	Nevada JONES 5 6	Kipling SZASZ	0 - 10	1:33	IPO

### VIEAUX



## Results

Pos	Name
1	Sayjah VIEAUX, Nanaimo Judo Club
2	Kipling SZASZ, Nanaimo Judo Club
3	Nevada JONES, Prince George Judo Club
3	Annika MICHALUK, Shidokai Judo



# U14 Women -52kg

## Competitors

#	Name	Grade	Club	1	2	3	4	5	Wins	Pts	Pos
1	Molly ORBAN (0,00)	OraGr/Ora	Steveston Judo Club	XX	10		10		2	20	3
2	Abigail DESJARLAIS (0,00)	Green/Ver	Hart Judo Academy		XX		10		1	10	4
3	Jayden DEGUZMAN (0,00)	Orange	Ippon Judo Dojo	10	10	XX	10	10	4	40	1
4	Emma AKERLEY (0,00)	Orange	Prince George Judo Club				XX		0	0	5
5	Maya KUNADZE (0,00)	Green/Ver	Kokushikai Judo	10	10		10	XX	3	30	2

## Matches

Match	White			Blue	Result	Time	Code
1	Emma AKERLEY	4	5	Maya KUNADZE	0 - 10	0:37	IPO
2	Molly ORBAN	1	2	Abigail DESJARLAIS	10 - 0	0:46	IPO
3	Jayden DEGUZMAN	3	4	Emma AKERLEY	10 - 0	0:31	IPO
4	Molly ORBAN	1	5	Maya KUNADZE	0 - 10	0:24	IPO
5	Abigail DESJARLAIS	2	3	Jayden DEGUZMAN	0 - 10	1:57	IPO
6	Molly ORBAN	1	4	Emma AKERLEY	10 - 0	1:54	WIP
7	Jayden DEGUZMAN	3	5	Maya KUNADZE	10 - 0	1:16	IPO
D-1	Abigail DESJARLAIS	2	4	Emma AKERLEY	10 - 0	2:02	WIP
9	Molly ORBAN	1	3	Jayden DEGUZMAN	0 - 10	2:20	IPO
10	Abigail DESJARLAIS	2	5	Maya KUNADZE	0 - 10	0:38	IPO

## Results

Pos	Name
1	Jayden DEGUZMAN, Ippon Judo Dojo
2	Maya KUNADZE, Kokushikai Judo
3	Molly ORBAN, Steveston Judo Club
4	Abigail DESJARLAIS, Hart Judo Academy
5	Emma AKERLEY, Prince George Judo Club

# U14 Women -63kg

## Competitors

#	Name	Grade	Club	1	2	3	4	Wins	Pts	Pos
1	Hannah YIN (53,00)	Orange	Prince George Judo Club	XX				0	0	4
2	Lily MCCULLOUGH (61,70)	Green/Vert	Prince George Judo Club	10	XX	10		2	20	2
3	Aria GREENWOOD (54,00)	Green/Vert	Hart Judo Academy	10		XX		1	10	3
4	Alewyn GLADSTONE (56,20)	Orange	Nanaimo Judo Club	10	10	10	XX	3	30	1

## Matches

Match	White			Blue	Result	Time	Code
1	Hannah YIN	1	2	Lily MCCULLOUGH	0 - 10	2:17	IPO
2	Aria GREENWOOD	3	4	Alewyn GLADSTONE	0 - 10	1:40	IPO
3	Hannah YIN	1	3	Aria GREENWOOD	0 - 10	1:18	IPO
4	Lily MCCULLOUGH	2	4	Alewyn GLADSTONE	0 - 10	1:13	IPO
5	Hannah YIN	1	4	Alewyn GLADSTONE	0 - 10	2:11	IPO
6	Lily MCCULLOUGH	2	3	Aria GREENWOOD	10 - 0	0:38	IPO

## Results

Pos	Name
1	Alewyn GLADSTONE, Nanaimo Judo Club
2	Lily MCCULLOUGH, Prince George Judo Club
3	Aria GREENWOOD, Hart Judo Academy
4	Hannah YIN, Prince George Judo Club

# U16 Men-46A

## Competitors

#	Name	Grade	Club	1	2	3	Wins	Pts	Pos
1	Zachary HARRIS (0,00)	Blue/Bleue	Abbotsford Judo Club	XX	10	10	2	20	1
2	Odin ELLINGSON (0,00)	Green/Vert	Abbotsford Judo Club		XX	10	1	10	2
3	Corbin HILMAN (0,00)	Blue/Bleue	Prince George Judo Club			XX	0	0	3

## Matches

Match	White			Blue	Result	Time	Code
1	Zachary HARRIS	1	2	Odin ELLINGSON	10 - 0	1:47	WIP
D-1	Zachary HARRIS	1	3	Corbin HILMAN	10 - 0	2:25	IPO
3	Odin ELLINGSON	2	3	Corbin HILMAN	10 - 0	2:33	IPO

## Results

Pos	Name
1	Zachary HARRIS, Abbotsford Judo Club
2	Odin ELLINGSON, Abbotsford Judo Club
3	Corbin HILMAN, Prince George Judo Club

# U16 Men-55A

## Competitors

#	Name	Grade	Club	1	2	3	Wins	Pts	Pos
1	Andrei DUMITRACHE (0,00)	Green/Vert	Abbotsford Judo Club	XX			0	0	3
2	Isaiah GILL (0,00)	Blue/Bleue	Abbotsford Judo Club	10	XX	10	2	20	1
3	Diar SHAKIMOV (0,00)	Blue/Bleue	Burnaby Judo Club	5		XX	1	5	2

## Matches

Match	White			Blue	Result	Time	Code
1	Andrei DUMITRACHE	1	2	<b>Isaiah GILL</b>	0 - 10	2:41	IPO
2	Andrei DUMITRACHE	1	3	<b>Diar SHAKIMOV</b>	0 - 5	3:00	WAZ
D-2	<b>Isaiah GILL</b>	2	3	Diar SHAKIMOV	10 - 0	3:10	HAN

## Results

Pos	Name
1	Isaiah GILL, Abbotsford Judo Club
2	Diar SHAKIMOV, Burnaby Judo Club
3	Andrei DUMITRACHE, Abbotsford Judo Club

# U16 Men-66A

## Competitors

#	Name	Grade	Club	1	2	3	Wins	Pts	Pos
1	Elijah GILL (0,00)	Blue/Bleue	Abbotsford Judo Club	XX	5	10	2	15	1
2	Dumitru TARITA (0,00)	Blue/Bleue	Burnaby Judo Club		XX	10	1	10	2
3	Matthew MOLSKI (0,00)	Blue/Bleue	White Rock Judo Club			XX	0	0	3

## Matches

Match	White		Blue	Result	Time	Code	
1	Elijah GILL	1	2	Dumitru TARITA	5 - 0	3:00	WAZ
2	Elijah GILL	1	3	Matthew MOLSKI	10 - 0	1:38	WIP
3	Dumitru TARITA	2	3	Matthew MOLSKI	10 - 0	0:28	IPO

## Results

Pos	Name
1	Elijah GILL, Abbotsford Judo Club
2	Dumitru TARITA, Burnaby Judo Club
3	Matthew MOLSKI, White Rock Judo Club

# U16 Men - Novice-46kg

## Competitors

#	Name	Grade	Club	1	2	1	2	1	2	Wins	Pts	Pos
1	Kaleb CHRISTEN (45,00)	OraGr/Ora	Abbotsford Judo Club	XX	10	XX		XX		1	10	2
2	Owen HOU (41,50)	YelOr/Jau	Steveston Judo Club		XX	10	XX	10	XX	2	20	1

## Matches

Match	White			Blue	Result	Time	Code
1	<b>Kaleb CHRISTEN</b>	1	2	Owen HOU	10 - 0	2:37	IPO
2	<b>Owen HOU</b>	2	1	Kaleb CHRISTEN	10 - 0	1:05	IPO
3	Kaleb CHRISTEN	1	2	<b>Owen HOU</b>	0 - 10	0:55	IPO

## Results

Pos	Name
1	Owen HOU, Steveston Judo Club
2	Kaleb CHRISTEN, Abbotsford Judo Club

# U16 Men - Novice-50kg

## Competitors

#	Name	Grade	Club	1	2	3	4	Wins	Pts	Pos
1	Anthony YANG (48,00)	OraGr/Ora	Nanaimo Judo Club	XX	5			1	5	4
2	Connor BLACKBURN (48,00)	OraGr/Ora	Nanaimo Judo Club		XX		10	1	10	3
3	Krist Lorenz SILUD (47,00)	Orange	Burnaby Judo Club	10	10	XX		2	20	2
4	John KRUGER (49,00)	OraGr/Ora	Nanaimo Judo Club	10		10	XX	2	20	1

## Matches

Match	White			Blue	Result	Time	Code
1	<b>Anthony YANG</b>	1	2	Connor BLACKBURN	5 - 0	3:00	WAZ
2	Krist Lorenz SILUD	3	4	<b>John KRUGER</b>	0 - 10	0:11	IPO
3	Anthony YANG	1	3	<b>Krist Lorenz SILUD</b>	0 - 10	1:13	IPO
4	<b>Connor BLACKBURN</b>	2	4	John KRUGER	10 - 0	0:31	IPO
5	Anthony YANG	1	4	<b>John KRUGER</b>	0 - 10	0:57	IPO
6	Connor BLACKBURN	2	3	<b>Krist Lorenz SILUD</b>	0 - 10	1:25	IPO

## Results

Pos	Name
1	John KRUGER, Nanaimo Judo Club
2	Krist Lorenz SILUD, Burnaby Judo Club
3	Connor BLACKBURN, Nanaimo Judo Club
4	Anthony YANG, Nanaimo Judo Club

# U16 Men - Novice-55kg

## Competitors

#	Name	Grade	Club	1	2	3	Wins	Pts	Pos
1	Ethan HAYNE (54,00)	YelOr/Jau	Steveston Judo Club	XX	10	10	2	20	1
2	Liam MARSHALL (0,00)	Orange	Williams Lake Judo Club		XX		0	0	3
3	Matthew YUN (0,00)	Orange	Champion Judo Club		10	XX	1	10	2

## Matches

Match	White		Blue	Result	Time	Code
1	Ethan HAYNE	1 2	Liam MARSHALL	10 - 0	0:48	IPO
2	Ethan HAYNE	1 3	Matthew YUN	10 - 0	2:54	IPO
3	Liam MARSHALL	2 3	Matthew YUN	0 - 10	0:49	IPO

## Results

Pos	Name
1	Ethan HAYNE, Steveston Judo Club
2	Matthew YUN, Champion Judo Club
3	Liam MARSHALL, Williams Lake Judo Club



# U16 Men - Novice-66kg

## Competitors

#	Name	Grade	Club	1	2	3	Wins	Pts	Pos
1	Noen TOMELDEN (56,00)	Orange	Abbotsford Judo Club	XX	10	10	2	20	1
2	Luka POLEDICA (56,00)	Orange	Burnaby Judo Club		XX	10	1	10	2
3	Ted HAN (64,00)	YelOr/JauOr	Champion Judo Club			XX	0	0	3

## Matches

Match	White			Blue	Result	Time	Code
1	Noen TOMELDEN	1	2	Luka POLEDICA	10 - 0	0:27	IPO
2	Noen TOMELDEN	1	3	Ted HAN	10 - 0	0:57	IPO
3	Luka POLEDICA	2	3	Ted HAN	10 - 0	3:00	IPO

## Results

Pos	Name
1	Noen TOMELDEN, Abbotsford Judo Club
2	Luka POLEDICA, Burnaby Judo Club
3	Ted HAN, Champion Judo Club

# U16 Men - Novice+73kg

## Competitors

#	Name	Grade	Club	1	2	3	4	Wins	Pts	Pos
1	Nicholas BERNARDO (0,00)	OraGr/OraGr	Capilano Seikidokan Judo Club	XX	5			1	5	3
2	Ryan LIU (0,00)	YelOr/JauOr	Nakashima Dojo Judo Club		XX			0	0	4
3	Clinton LEE (67,00)	Yellow/JauOr	Champion Judo Club	10	10	XX	10	3	30	1
4	Quinn WALLACE (81,00)	Yellow/JauOr	Mile Zero Judo Club	10	10		XX	2	20	2

## Matches

Match	White	Blue	Result	Time	Code
1	Nicholas BERNARDO	Ryan LIU	5 - 0	3:00	WAZ
2	Clinton LEE	Quinn WALLACE	10 - 0	0:29	IPO
3	Nicholas BERNARDO	Clinton LEE	0 - 10	0:07	IPO
4	Ryan LIU	Quinn WALLACE	0 - 10	2:24	IPO
5	Nicholas BERNARDO	Quinn WALLACE	0 - 10	0:48	IPO
6	Ryan LIU	Clinton LEE	0 - 10	1:05	IPO

## Results

Pos	Name
1	Clinton LEE, Champion Judo Club
2	Quinn WALLACE, Mile Zero Judo Club
3	Nicholas BERNARDO, Capilano Seikidokan Judo Club
4	Ryan LIU, Nakashima Dojo Judo Club

# U16 Men -38kg

## Competitors

#	Name	Grade	Club	1	2	3	4	Wins	Pts	Pos
1	Zackery JOE (0,00)	Green/Ver	Burnaby Judo Club	XX	10	10	10	3	30	1
2	<del>Nathan THIEL (0,00)</del>	Green/Ver	Abbotsford Judo Club		XX			0	0	4
3	Linus FRIZZELL (0,00)	GreBl/Ver	Hart Judo Academy		10	XX	10	2	20	2
4	Tobin HINTON (0,00)	Green/Ver	Police Judo Junior		10		XX	1	10	3

## Matches

Match	White			Blue	Result	Time	Code
B-1	<b>Zackery JOE</b>	1	2	Nathan THIEL	10 - 0	0:00	KIK
B-2	<b>Linus FRIZZELL</b>	3	4	Tobin HINTON	10 - 0	1:34	WIP
3	<b>Zackery JOE</b>	1	3	Linus FRIZZELL	10 - 0	2:49	IPO
4	Nathan THIEL	2	4	<b>Tobin HINTON</b>	0 - 10	0:00	KIK
5	<b>Zackery JOE</b>	1	4	Tobin HINTON	10 - 0	0:09	IPO
6	Nathan THIEL	2	3	<b>Linus FRIZZELL</b>	0 - 10	0:00	KIK

## Results

Pos	Name
1	Zackery JOE, Burnaby Judo Club
2	Linus FRIZZELL, Hart Judo Academy
3	Tobin HINTON, Police Judo Junior
4	<del>Nathan THIEL, Abbotsford Judo Club</del>

# U16 Men -42kg

## Competitors A

#	Name	Grade	Club	1	2	3	Wins	Pts	Pos
1	Robert ARUTYUNYAN (40,00)	Blue/Blue	Steveston Judo Club	XX			0	0	3
2	Joshua GREENWOOD (0,00)	Green/Ver	Hart Judo Academy	10	XX		1	10	2
3	Peter VELONAS (0,00)	GreBl/Ver	Abbotsford Judo Club	10	10	XX	2	20	1

## Matches A

Match	White	Blue	Result	Time	Code
C-1	Robert ARUTYUNYAN 1 2	Joshua GREENWOOD	0 - 10	3:14	GSW
3	Robert ARUTYUNYAN 1 3	Peter VELONAS	0 - 10	2:35	WIP
5	Joshua GREENWOOD 2 3	Peter VELONAS	0 - 10	2:05	WIP

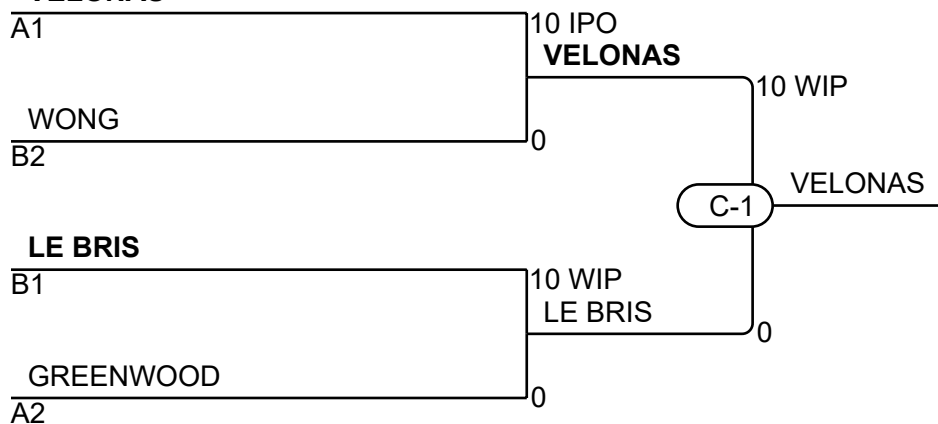
## Competitors B

#	Name	Grade	Club	4	5	6	Wins	Pts	Pos
4	Adam CAPADOUCA (0,00)	Green/Ver	Langley Judo Club	XX			0	0	3
5	Jaimie WONG (0,00)	Blue/Blue	Nakashima Dojo Judo Club	10	XX		1	10	2
6	Lowan LE BRIS (0,00)	Green/Ver	Burnaby Judo Club	10	10	XX	2	20	1

## Matches B

Match	White	Blue	Result	Time	Code
C-2	Adam CAPADOUCA 4 5	Jaimie WONG	0 - 10	0:09	IPO
4	Adam CAPADOUCA 4 6	Lowan LE BRIS	0 - 10	0:41	IPO
6	Jaimie WONG 5 6	Lowan LE BRIS	0 - 10	1:35	IPO

### VELONAS



## Results

Pos	Name
1	Peter VELONAS, Abbotsford Judo Club
2	Lowan LE BRIS, Burnaby Judo Club
3	Jaimie WONG, Nakashima Dojo Judo Club
3	Joshua GREENWOOD, Hart Judo Academy

# U16 Men -46kg

## Competitors

#	Name	Grade	Club	1	2	3	4	Wins	Pts	Pos
1	Zachary HARRIS (0,00)	Blue/Bleue	Abbotsford Judo Club	XX	10	10	10	3	30	1
2	Odin ELLINGSON (0,00)	Green/Vert	Abbotsford Judo Club		XX	10	10	2	20	2
3	Tyler LANGE (0,00)	Green/Vert	Kokushikai Judo			XX		0	0	4
4	Corbin HILMAN (0,00)	Blue/Bleue	Prince George Judo Club			10	XX	1	10	3

## Matches

Match	White			Blue	Result	Time	Code
D-4	<b>Zachary HARRIS</b>	1	2	Odin ELLINGSON	10 - 0	0:51	IPO
D-2	Tyler LANGE	3	4	<b>Corbin HILMAN</b>	0 - 10	1:09	IPO
3	<b>Zachary HARRIS</b>	1	3	Tyler LANGE	10 - 0	0:28	WIP
4	<b>Odin ELLINGSON</b>	2	4	Corbin HILMAN	10 - 0	1:03	IPO
5	<b>Zachary HARRIS</b>	1	4	Corbin HILMAN	10 - 0	1:23	WIP
6	<b>Odin ELLINGSON</b>	2	3	Tyler LANGE	10 - 0	0:18	IPO

## Results

Pos	Name
1	Zachary HARRIS, Abbotsford Judo Club
2	Odin ELLINGSON, Abbotsford Judo Club
3	Corbin HILMAN, Prince George Judo Club
4	Tyler LANGE, Kokushikai Judo

# U16 Men -50kg

## Competitors

#	Name	Grade	Club	1	2	3	4	5	Wins	Pts	Pos
1	Kiyoshi COMLEY (0,00)	GreBl/Ver	Vernon Judo Club	XX		10	5		2	15	3
2	Daniel GALLEN0 (0,00)	Green/Ver	Mile Zero Judo Club	5	XX	10	10		3	25	2
3	Ivan DEBANKS (0,00)	Green/Ver	White Rock Judo Club			XX	10		1	10	4
4	Gavin WHITMORE (0,00)	Green/Ver	Abbotsford Judo Club				XX		0	0	5
5	Carter HARRIS (0,00)	Blue/Blue	Abbotsford Judo Club	10	10	10	10	XX	4	40	1

## Matches

Match	White	Blue	Result	Time	Code
1	Gavin WHITMORE	4 5 Carter HARRIS	0 - 10	0:20	IPO
D-1D	Kiyoshi COMLEY	1 2 Daniel GALLEN0	0 - 5	3:40	GSW
D-2A	Ivan DEBANKS	3 4 Gavin WHITMORE	10 - 0	1:28	IPO
D-3	Kiyoshi COMLEY	1 5 Carter HARRIS	0 - 10	1:11	IPO
D-1	Daniel GALLEN0	2 3 Ivan DEBANKS	10 - 0	0:19	IPO
D-5	Kiyoshi COMLEY	1 4 Gavin WHITMORE	5 - 0	3:00	WAZ
D-6C	Ivan DEBANKS	3 5 Carter HARRIS	0 - 10	0:18	IPO
D-7	Daniel GALLEN0	2 4 Gavin WHITMORE	10 - 0	1:40	IPO
9	Kiyoshi COMLEY	1 3 Ivan DEBANKS	10 - 0	2:32	WIP
10	Daniel GALLEN0	2 5 Carter HARRIS	0 - 10	3:00	WIP

## Results

Pos	Name
1	Carter HARRIS, Abbotsford Judo Club
2	Daniel GALLEN0, Mile Zero Judo Club
3	Kiyoshi COMLEY, Vernon Judo Club
4	Ivan DEBANKS, White Rock Judo Club
5	Gavin WHITMORE, Abbotsford Judo Club

# U16 Men -55kg

## Competitors A

#	Name	Grade	Club	1	2	3	4	Wins	Pts	Pos
1	Jonathan DYDZUK (0,00)	Green/Vert	Abbotsford Judo Club	XX				0	0	4
2	Amir MATIANIU (0,00)	GreBl/Vert	Burnaby Judo Club	10	XX	10	10	3	30	1
3	Mason BERNS (0,00)	Green/Vert	Kokushikai Judo	10		XX	10	2	20	2
4	Garrett PARKER (0,00)	Green/Vert	Barracuda Judo Club	10			XX	1	10	3

## Matches A

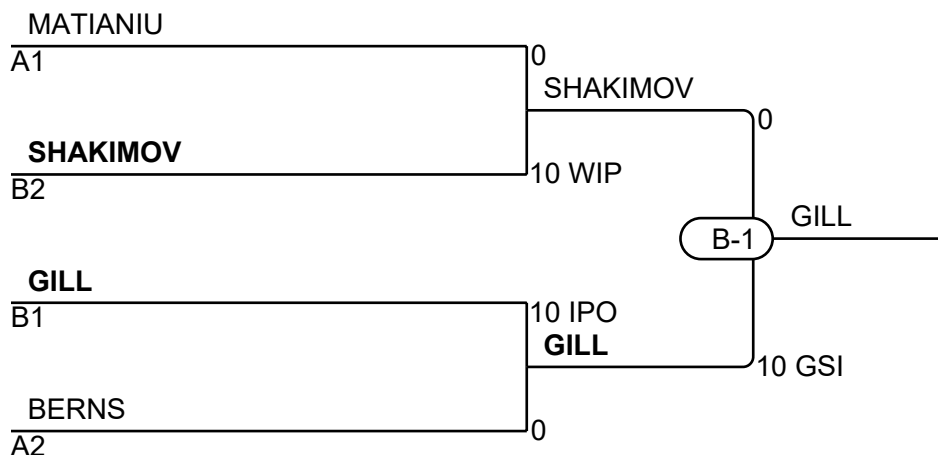
Match	White	Blue	Result	Time	Code
1	Jonathan DYDZUK 1 2	Amir MATIANIU	0 - 10	0:40	WIP
2	Mason BERNS 3 4	Garrett PARKER	10 - 0	2:06	IPO
4	Jonathan DYDZUK 1 3	Mason BERNS	0 - 10	0:37	IPO
5	Amir MATIANIU 2 4	Garrett PARKER	10 - 0	0:32	IPO
7	Jonathan DYDZUK 1 4	Garrett PARKER	0 - 10	0:36	IPO
8	Amir MATIANIU 2 3	Mason BERNS	10 - 0	2:19	WIP

## Competitors B

#	Name	Grade	Club	5	6	7	Wins	Pts	Pos
5	Andrei DUMITRACHE (0,00)	Green/Vert	Abbotsford Judo Club	XX			0	0	3
6	Isaiah GILL (0,00)	Blue/Blue	Abbotsford Judo Club	10	XX	10	2	20	1
7	Diar SHAKIMOV (0,00)	Blue/Blue	Burnaby Judo Club	5		XX	1	5	2

## Matches B

Match	White	Blue	Result	Time	Code
3	Andrei DUMITRACHE 5 6	Isaiah GILL	0 - 10	1:19	IPO
6	Andrei DUMITRACHE 5 7	Diar SHAKIMOV	0 - 5	1:46	WAZ
9	Isaiah GILL 6 7	Diar SHAKIMOV	10 - 0	2:00	IPO



## Results

Pos	Name
1	Isaiah GILL, Abbotsford Judo Club
2	Diar SHAKIMOV, Burnaby Judo Club
3	Amir MATIANIU, Burnaby Judo Club
3	Mason BERNS, Kokushikai Judo

# U16 Men -60kg

## Competitors

#	Name	Grade	Club	1	2	3	4	5	Wins	Pts	Pos
1	Cole PRIESTMAN (0,00)	Green/Vert	Burnaby Judo Club	XX	10	5	10		3	25	2
2	<del>Ethan BOXTART (0,00)</del>	Blue/Bleue	Hart Judo Academy		XX				0	0	5
3	Graeme HANKS (0,00)	Brown/Mar	Aberdeen Judo Academy		10	XX	5		2	15	3
4	Adrien MAZEAUD (0,00)	Green/Vert	White Rock Judo Club		10		XX		1	10	4
5	Ethan CAJIGAS (0,00)	Blue/Bleue	Steveston Judo Club	10	10	5	10	XX	4	35	1

## Matches

Match	White			Blue	Result	Time	Code
1	Adrien MAZEAUD	4	5	<b>Ethan CAJIGAS</b>	0 - 10	1:15	IPO
2	<b>Cole PRIESTMAN</b>	1	2	Ethan BOXTART	10 - 0	1:28	KIK
3	<b>Graeme HANKS</b>	3	4	Adrien MAZEAUD	5 - 0	3:00	WAZ
4	Cole PRIESTMAN	1	5	<b>Ethan CAJIGAS</b>	0 - 10	3:55	GSI
5	Ethan BOXTART	2	3	<b>Graeme HANKS</b>	0 - 10	0:00	KIK
6	<b>Cole PRIESTMAN</b>	1	4	Adrien MAZEAUD	10 - 0	1:15	IPO
7	Graeme HANKS	3	5	<b>Ethan CAJIGAS</b>	0 - 5	3:09	GSW
8	Ethan BOXTART	2	4	<b>Adrien MAZEAUD</b>	0 - 10	0:00	KIK
9	<b>Cole PRIESTMAN</b>	1	3	Graeme HANKS	5 - 0	3:00	WAZ
10	Ethan BOXTART	2	5	<b>Ethan CAJIGAS</b>	0 - 10	0:00	KIK

## Results

Pos	Name
1	Ethan CAJIGAS, Steveston Judo Club
2	Cole PRIESTMAN, Burnaby Judo Club
3	Graeme HANKS, Aberdeen Judo Academy
4	Adrien MAZEAUD, White Rock Judo Club
5	<del>Ethan BOXTART, Hart Judo Academy</del>



# U16 Men -66kg

## Competitors

#	Name	Grade	Club	1	2	3	4	5	Wins	Pts	Pos
1	<del>Alexander SONG (0,00)</del>	GreBl/VerB	Champion Judo Club	XX					0	0	5
2	Dumitru TARITA (0,00)	Blue/Bleue	Burnaby Judo Club	10	XX		10	10	3	30	2
3	Elijah GILL (0,00)	Blue/Bleue	Abbotsford Judo Club	10	5	XX	10	10	4	35	1
4	Ryu TAMAYOSE (0,00)	Blue/Bleue	Steveston Judo Club	10			XX		1	10	4
5	Matthew MOLSKI (0,00)	Blue/Bleue	White Rock Judo Club	10			10	XX	2	20	3

## Matches

Match	White				Blue				Result	Time	Code
1	Ryu TAMAYOSE	4	5	<b>Matthew MOLSKI</b>					0 - 10	1:01	IPO
2	Alexander SONG	1	2	<b>Dumitru TARITA</b>					0 - 10	1:08	IPO
3	<b>Elijah GILL</b>	3	4	Ryu TAMAYOSE					10 - 0	2:10	IPO
4	Alexander SONG	1	5	<b>Matthew MOLSKI</b>					0 - 10	1:44	WIP
5	Dumitru TARITA	2	3	<b>Elijah GILL</b>					0 - 5	0:12	WAZ
6	Alexander SONG	1	4	<b>Ryu TAMAYOSE</b>					0 - 10	0:00	KIK
7	<b>Elijah GILL</b>	3	5	Matthew MOLSKI					10 - 0	2:16	IPO
8	<b>Dumitru TARITA</b>	2	4	Ryu TAMAYOSE					10 - 0	0:12	IPO
9	Alexander SONG	1	3	<b>Elijah GILL</b>					0 - 10	0:00	KIK
10	<b>Dumitru TARITA</b>	2	5	Matthew MOLSKI					10 - 0	1:09	IPO

## Results

Pos	Name
1	Elijah GILL, Abbotsford Judo Club
2	Dumitru TARITA, Burnaby Judo Club
3	Matthew MOLSKI, White Rock Judo Club
4	Ryu TAMAYOSE, Steveston Judo Club
5	<del>Alexander SONG, Champion Judo Club</del>

# U16 Men+73kg

## Competitors

#	Name	Grade	Club	1	2	3	4	Wins	Pts	Pos
1	Ayden HARDER (0,00)	Green/Vert	Prince George Judo Club	XX				0	0	4
2	Julian RITSON (0,00)	GreBl/Vert	Mile Zero Judo Club	10	XX	10	10	3	30	1
3	Martinus VAN ZYL (0,00)	Blue/Bleue	Hart Judo Academy	10		XX		1	10	3
4	Suliac GUEZILLE (0,00)	Blue/Bleue	Police Judo Junior	10		10	XX	2	20	2

## Matches

Match	White			Blue	Result	Time	Code
1	Ayden HARDER	1	2	Julian RITSON	0 - 10	2:03	IPO
2	Martinus VAN ZYL	3	4	Suliac GUEZILLE	0 - 10	0:13	IPO
3	Ayden HARDER	1	3	Martinus VAN ZYL	0 - 10	2:24	IPO
4	Julian RITSON	2	4	Suliac GUEZILLE	10 - 0	2:45	HAN
5	Ayden HARDER	1	4	Suliac GUEZILLE	0 - 10	1:00	WIP
6	Julian RITSON	2	3	Martinus VAN ZYL	10 - 0	1:26	IPO

## Results

Pos	Name
1	Julian RITSON, Mile Zero Judo Club
2	Suliac GUEZILLE, Police Judo Junior
3	Martinus VAN ZYL, Hart Judo Academy
4	Ayden HARDER, Prince George Judo Club

# U16 Women - Novice-36kg

## Competitors

#	Name	Grade	Club	1	2	1	2	1	2	Wins	Pts	Pos
1	Tamika ROBERTS (35,50)	Yellow/Jaune	Westminster Judo Club	XX	10	XX	10	XX		2	20	1
2	Hayley YIP (0,00)	Yellow/Jaune	Nakashima Dojo Judo Club			XX		XX	XX	0	0	2

## Matches

Match	White			Blue	Result	Time	Code
1	<b>Tamika ROBERTS</b>	1	2	Hayley YIP	10 - 0	2:45	IPO
2	Hayley YIP	2	1	<b>Tamika ROBERTS</b>	0 - 10	1:40	IPO
3	Tamika ROBERTS	1	2	Hayley YIP			

## Results

Pos	Name
1	Tamika ROBERTS, Westminster Judo Club
2	Hayley YIP, Nakashima Dojo Judo Club

# U16 Women - Novice-44kg

## Competitors

#	Name	Grade	Club	1	2	3	4	Wins	Pts	Pos
1	Ava GRUBER (37,50)	Orange	Vernon Judo Club	XX	10			1	10	3
2	Abby PHILLIPS (40,00)	YelOr/JauOr	Vernon Judo Club		XX			0	0	4
3	Clare BOULDING (42,00)	Orange	Nanaimo Judo Club	10	10	XX		2	20	2
4	Athena VELONAS (42,50)	OraGr/OraX	Abbotsford Judo Club	10	10	10	XX	3	30	1

## Matches

Match	White		Blue		Result	Time	Code
1	<b>Ava GRUBER</b>	1	2	Abby PHILLIPS	10 - 0	0:31	IPO
2	Clare BOULDING	3	4	<b>Athena VELONAS</b>	0 - 10	0:27	IPO
3	Ava GRUBER	1	3	<b>Clare BOULDING</b>	0 - 10	0:53	IPO
4	Abby PHILLIPS	2	4	<b>Athena VELONAS</b>	0 - 10	0:15	IPO
5	Ava GRUBER	1	4	<b>Athena VELONAS</b>	0 - 10	0:28	IPO
6	Abby PHILLIPS	2	3	<b>Clare BOULDING</b>	0 - 10	0:07	IPO

## Results

Pos	Name
1	Athena VELONAS, Abbotsford Judo Club
2	Clare BOULDING, Nanaimo Judo Club
3	Ava GRUBER, Vernon Judo Club
4	Abby PHILLIPS, Vernon Judo Club

# U16 Women - Novice-57kg

## Competitors

#	Name	Grade	Club	1	2	1	2	1	2	Wins	Pts	Pos
1	Jayden DEGUZMAN (0,00)	Orange	Ippon Judo Dojo	XX	10	XX		XX	10	2	20	1
2	Alewyn GLADSTONE (0,00)	Orange	Nanaimo Judo Club		XX	10	XX		XX	1	10	2

## Matches

Match	White		Blue	Result	Time	Code	
1	Jayden DEGUZMAN	1	2	Alewyn GLADSTONE	10 - 0	2:31	IPO
2	Alewyn GLADSTONE	2	1	Jayden DEGUZMAN	10 - 0	1:25	IPO
3	Jayden DEGUZMAN	1	2	Alewyn GLADSTONE	10 - 0	1:06	IPO

## Results

Pos	Name
1	Jayden DEGUZMAN, Ippon Judo Dojo
2	Alewyn GLADSTONE, Nanaimo Judo Club

# U16 Women - Novice-63kg

## Competitors

#	Name	Grade	Club	1	2	1	2	1	2	Wins	Pts	Pos
1	Ellie PITSOS (59,00)	Yellow/Jau	White Rock Judo Club	XX		XX		XX		0	0	2
2	Katrina DA SILVA (0,00)	Yellow/Jau	Abbotsford Judo Club	10	XX	10	XX		XX	2	20	1

## Matches

Match	White			Blue	Result	Time	Code
1	Ellie PITSOS	1	2	<b>Katrina DA SILVA</b>	0 - 10	0:07	IPO
2	<b>Katrina DA SILVA</b>	2	1	Ellie PITSOS	10 - 0	0:13	IPO
3	Ellie PITSOS	1	2	Katrina DA SILVA			

## Results

Pos	Name
1	Katrina DA SILVA, Abbotsford Judo Club
2	Ellie PITSOS, White Rock Judo Club

# U16 Women -40kg

## Competitors

#	Name	Grade	Club	1	2	1	2	1	2	Wins	Pts	Pos
1	Leanna AU (0,00)	Green/Vert	Burnaby Judo Club	XX	10	XX	10	XX		2	20	1
2	Carla VAN ZYL (0,00)	Green/Vert	Hart Judo Academy		XX		XX		XX	0	0	2

## Matches

Match	White			Blue	Result	Time	Code
D-1	<b>Leanna AU</b>	1	2	Carla VAN ZYL	10 - 0	0:33	IPO
D-6A	Carla VAN ZYL	2	1	<b>Leanna AU</b>	0 - 10	0:36	WIP
3	Leanna AU	1	2	Carla VAN ZYL			

## Results

Pos	Name
1	Leanna AU, Burnaby Judo Club
2	Carla VAN ZYL, Hart Judo Academy

# U16 Women -44kg

## Competitors

#	Name	Grade	Club	1	2	3	4	5	Wins	Pts	Pos
1	Teya MAIHARA (41,50)	Green/Vert	Police Judo Junior	XX					0	0	5
2	Jordyn MCRORY (0,00)	Green/Vert	Abbotsford Judo Club	10	XX				1	10	4
3	Sophia SHEVCHENKO (0,00)	Green/Vert	Champion Judo Club	10	10	XX			2	20	3
4	Kylee ESPARBES (0,00)	Blue/Bleu	Steveston Judo Club	10	10	10	XX	10	4	40	1
5	Lola SHEARER (0,00)	Blue/Bleu	Steveston Judo Club	10	10	10		XX	3	30	2

## Matches

Match	White			Blue	Result	Time	Code
C-1A	<b>Kylee ESPARBES</b>	4	5	Lola SHEARER	10 - 0	5:05	HAN
2	Teya MAIHARA	1	2	<b>Jordyn MCRORY</b>	0 - 10	0:34	IPO
3	Sophia SHEVCHENKO	3	4	<b>Kylee ESPARBES</b>	0 - 10	0:33	IPO
4	Teya MAIHARA	1	5	<b>Lola SHEARER</b>	0 - 10	0:39	IPO
5	Jordyn MCRORY	2	3	<b>Sophia SHEVCHENKO</b>	0 - 10	0:13	IPO
6	Teya MAIHARA	1	4	<b>Kylee ESPARBES</b>	0 - 10	0:26	WIP
7	Sophia SHEVCHENKO	3	5	<b>Lola SHEARER</b>	0 - 10	1:21	IPO
8	Jordyn MCRORY	2	4	<b>Kylee ESPARBES</b>	0 - 10	0:36	IPO
9	Teya MAIHARA	1	3	<b>Sophia SHEVCHENKO</b>	0 - 10	0:34	IPO
10	Jordyn MCRORY	2	5	<b>Lola SHEARER</b>	0 - 10	0:21	IPO

## Results

Pos	Name
1	Kylee ESPARBES, Steveston Judo Club
2	Lola SHEARER, Steveston Judo Club
3	Sophia SHEVCHENKO, Champion Judo Club
4	Jordyn MCRORY, Abbotsford Judo Club
5	Teya MAIHARA, Police Judo Junior



# U16 Women -48kg

## Competitors A

#	Name	Grade	Club	1	2	3	Wins	Pts	Pos
1	Sayjah VIEAUX (47,40)	Green/Vert	Nanaimo Judo Club	XX			0	0	3
2	Liwen ZHANG (0,00)	Green/Vert	Police Judo Junior	10	XX		1	10	2
3	Ekaterina DANILKOV (0,00)	Brown/Mar	Steveston Judo Club	10	10	XX	2	20	1

## Matches A

Match	White			Blue	Result	Time	Code
D-2	Sayjah VIEAUX	1	2	Liwen ZHANG	0 - 10	1:07	IPO
D-9	Sayjah VIEAUX	1	3	Ekaterina DANILKOV	0 - 10	0:12	IPO
5	Liwen ZHANG	2	3	Ekaterina DANILKOV	0 - 10	0:38	IPO

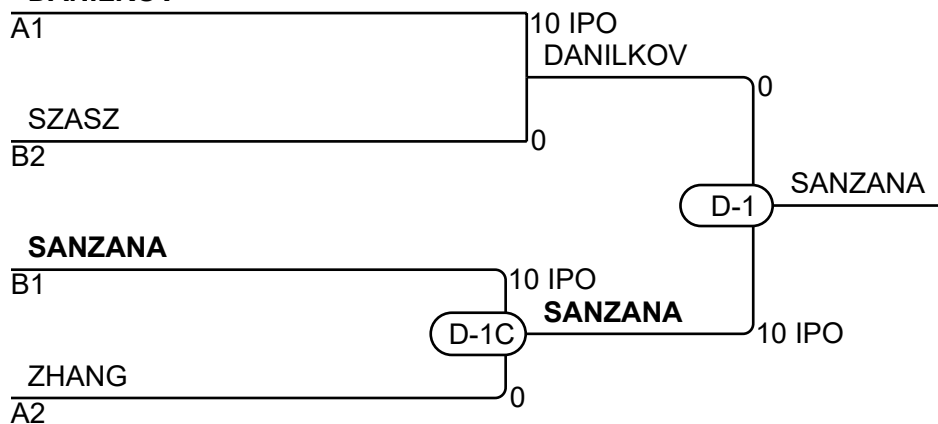
## Competitors B

#	Name	Grade	Club	4	5	6	Wins	Pts	Pos
4	Dakota SANZANA (0,00)	Blue/Blue	Nanaimo Judo Club	XX	10	10	2	20	1
5	Nevada JONES (0,00)	Green/Vert	Prince George Judo Club		XX		0	0	3
6	Kipling SZASZ (48,00)	Green/Vert	Nanaimo Judo Club		10	XX	1	10	2

## Matches B

Match	White			Blue	Result	Time	Code
D-3	Dakota SANZANA	4	5	Nevada JONES	10 - 0	0:21	IPO
4	Dakota SANZANA	4	6	Kipling SZASZ	10 - 0	0:11	IPO
D-1	Nevada JONES	5	6	Kipling SZASZ	0 - 10	1:07	IPO

### DANILKOV



## Results

Pos	Name
1	Dakota SANZANA, Nanaimo Judo Club
2	Ekaterina DANILKOV, Steveston Judo Club
3	Kipling SZASZ, Nanaimo Judo Club
3	Liwen ZHANG, Police Judo Junior

# U16 Women -52kg

## Competitors

#	Name	Grade	Club	1	2	1	2	1	2	Wins	Pts	Pos
1	Nova ROTBART (0,00)	Blue/Bleue	Burnaby Judo Club	XX	10	XX	10	XX		2	20	1
2	<del>Maya KUNADZE (0,00)</del>	Green/Vert	Kokushikai Judo		XX		XX		XX	0	0	2

## Matches

Match	White			Blue	Result	Time	Code
D-6	<b>Nova ROTBART</b>	1	2	Maya KUNADZE	10 - 0	0:16	IPO
2	Maya KUNADZE	2	1	<b>Nova ROTBART</b>	0 - 10	0:00	KIK
3	Nova ROTBART	1	2	Maya KUNADZE			

## Results

Pos	Name
1	Nova ROTBART, Burnaby Judo Club
2	<del>Maya KUNADZE, Kokushikai Judo</del>

# U16 Women -57kg

## Competitors

#	Name	Grade	Club	1	2	3	Wins	Pts	Pos
1	Darya RATKEVICH (0,00)	Green/Vert	Port Coquitlam Judo Club	XX			0	0	3
2	Beata SCHENK (0,00)	Blue/Bleue	Burnaby Judo Club	10	XX	10	2	20	1
3	Suneha KUMAR (0,00)	GreBl/Vert	Ippon Judo Dojo	10		XX	1	10	2

## Matches

Match	White			Blue	Result	Time	Code
D-4A	Darya RATKEVICH	1	2	Beata SCHENK	0 - 10	1:48	WIP
2	Darya RATKEVICH	1	3	Suneha KUMAR	0 - 10	0:19	IPO
3	Beata SCHENK	2	3	Suneha KUMAR	10 - 0	7:57	GSI

## Results

Pos	Name
1	Beata SCHENK, Burnaby Judo Club
2	Suneha KUMAR, Ippon Judo Dojo
3	Darya RATKEVICH, Port Coquitlam Judo Club

# U16 Women -65kg

## Competitors

#	Name	Grade	Club	1	2	3	4	Wins	Pts	Pos
1	Lily MCCULLOUGH (0,00)	Green/Vert	Prince George Judo Club	XX				0	0	4
2	Nyota MORISHO (0,00)	Brown/Mar	Victoria Judo Club	10	XX	10	10	3	30	1
3	Maria LIAKOS (0,00)	Blue/Bleu	Steveston Judo Club	10		XX	10	2	20	2
4	Sadie KATALINIC (0,00)	Green/Vert	Abbotsford Judo Club	10			XX	1	10	3

## Matches

Match	White		Blue		Result	Time	Code
C-1	Lily MCCULLOUGH	1	2	<b>Nyota MORISHO</b>	0 - 10	0:25	WIP
2	<b>Maria LIAKOS</b>	3	4	Sadie KATALINIC	10 - 0	1:06	IPO
3	Lily MCCULLOUGH	1	3	<b>Maria LIAKOS</b>	0 - 10	0:22	IPO
4	<b>Nyota MORISHO</b>	2	4	Sadie KATALINIC	10 - 0	0:46	IPO
5	Lily MCCULLOUGH	1	4	<b>Sadie KATALINIC</b>	0 - 10	0:10	IPO
6	<b>Nyota MORISHO</b>	2	3	Maria LIAKOS	10 - 0	1:00	WIP

## Results

Pos	Name
1	Nyota MORISHO, Victoria Judo Club
2	Maria LIAKOS, Steveston Judo Club
3	Sadie KATALINIC, Abbotsford Judo Club
4	Lily MCCULLOUGH, Prince George Judo Club

# U18 Men-50kg

## Competitors

#	Name	Grade	Club	1	2	3	Wins	Pts	Pos
1	Carter HARRIS (49,70)	Blue/Bleue	Abbotsford Judo Club	XX	10	5	2	15	1
2	Kiyoshi COMLEY (48,00)	GreBl/Ve	Vernon Judo Club		XX		0	0	3
3	Daniel GALLEN0 (48,00)	Green/Ve	Mile Zero Judo Club		10	XX	1	10	2

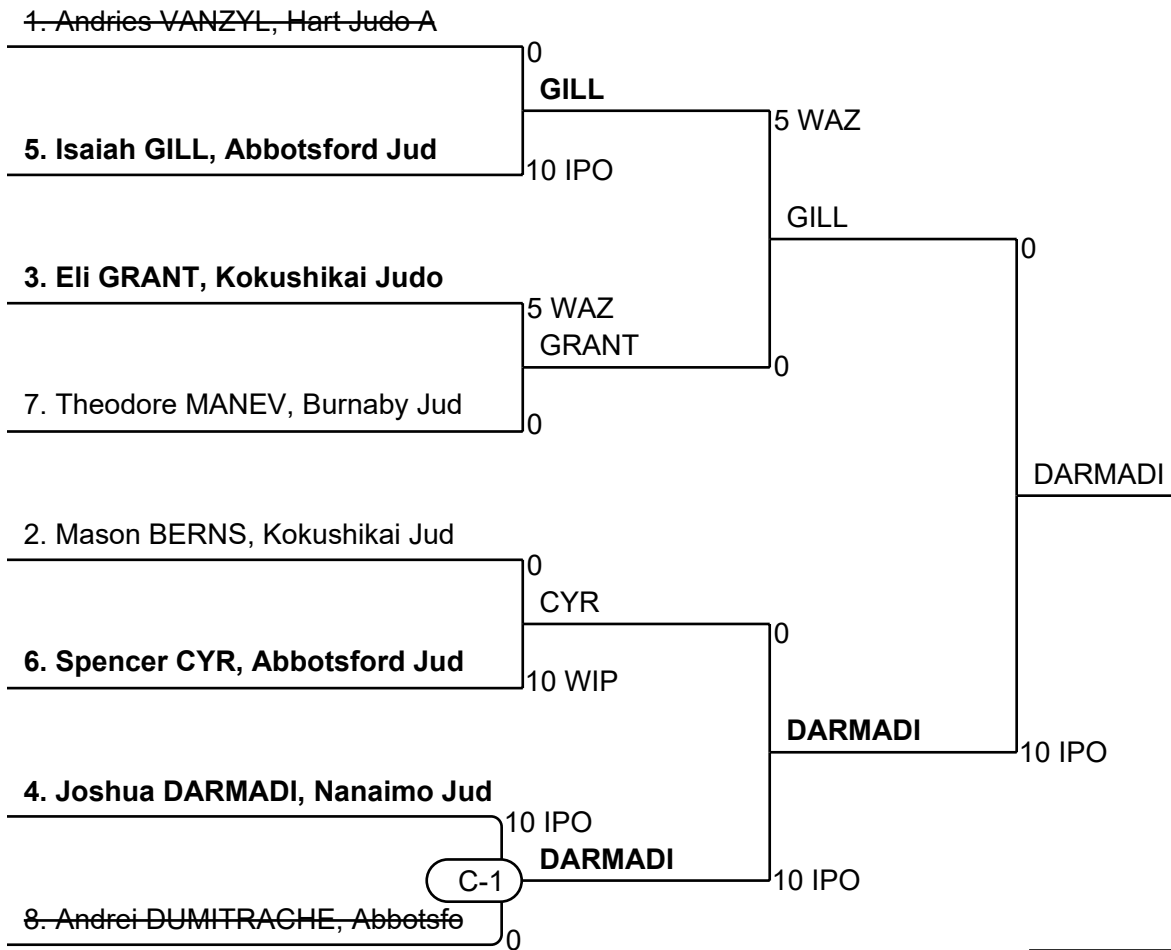
## Matches

Match	White			Blue	Result	Time	Code
1	<b>Carter HARRIS</b>	1	2	Kiyoshi COMLEY	10 - 0	0:38	IPO
2	<b>Carter HARRIS</b>	1	3	Daniel GALLEN0	5 - 0	3:00	WAZ
3	Kiyoshi COMLEY	2	3	<b>Daniel GALLEN0</b>	0 - 10	0:00	FUS

## Results

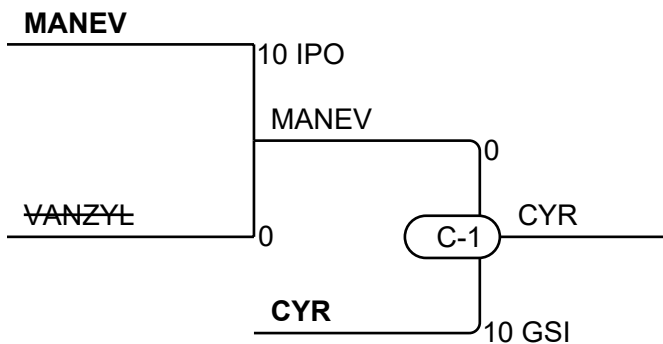
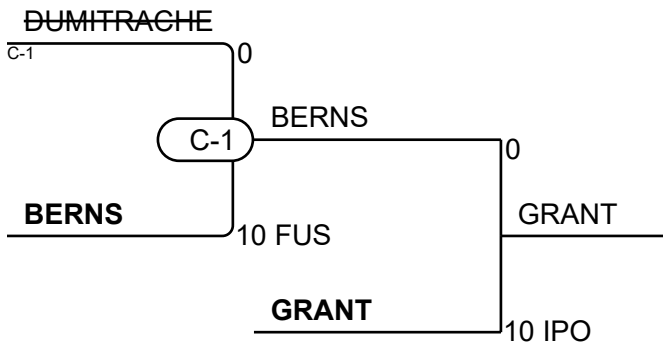
Pos	Name
1	Carter HARRIS, Abbotsford Judo Club
2	Daniel GALLEN0, Mile Zero Judo Club
3	Kiyoshi COMLEY, Vernon Judo Club

# U18 Men-55kg

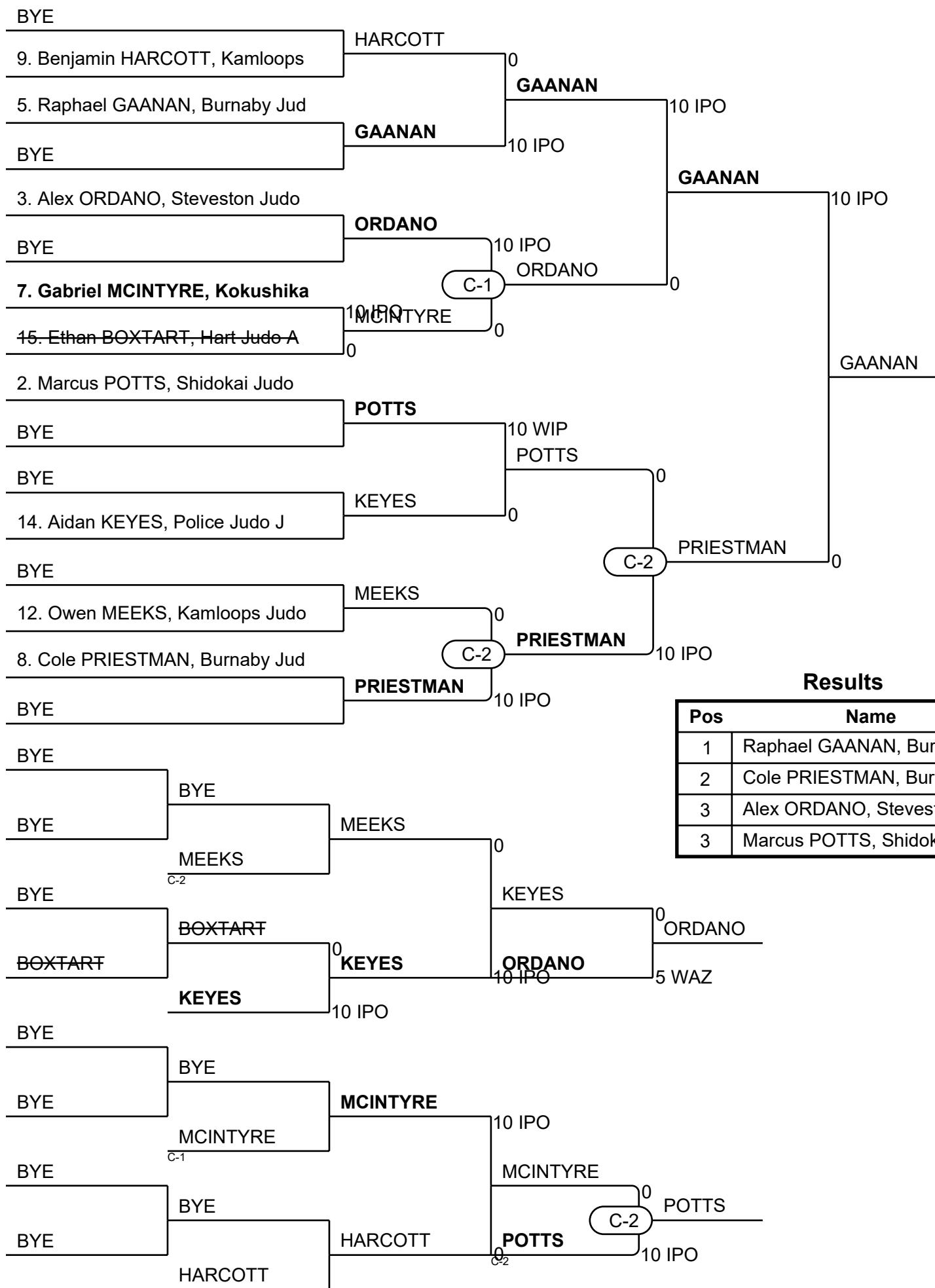


## Results

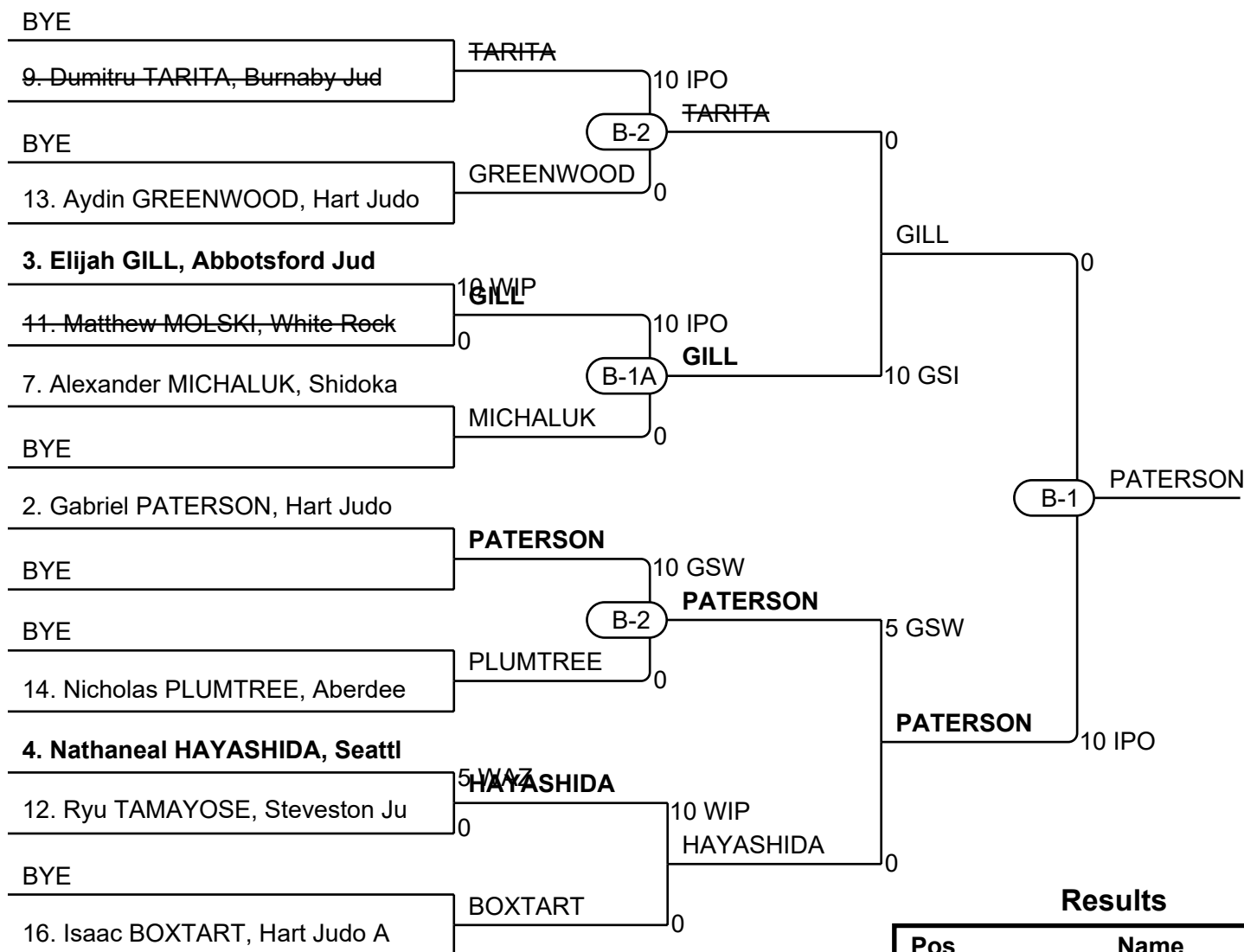
Pos	Name
1	Joshua DARMADI, Nanaimo Ju
2	Isaiah GILL, Abbotsford Ju
3	Eli GRANT, Kokushikai Judo
3	Spencer CYR, Abbotsford Ju



# U18 Men-60kg

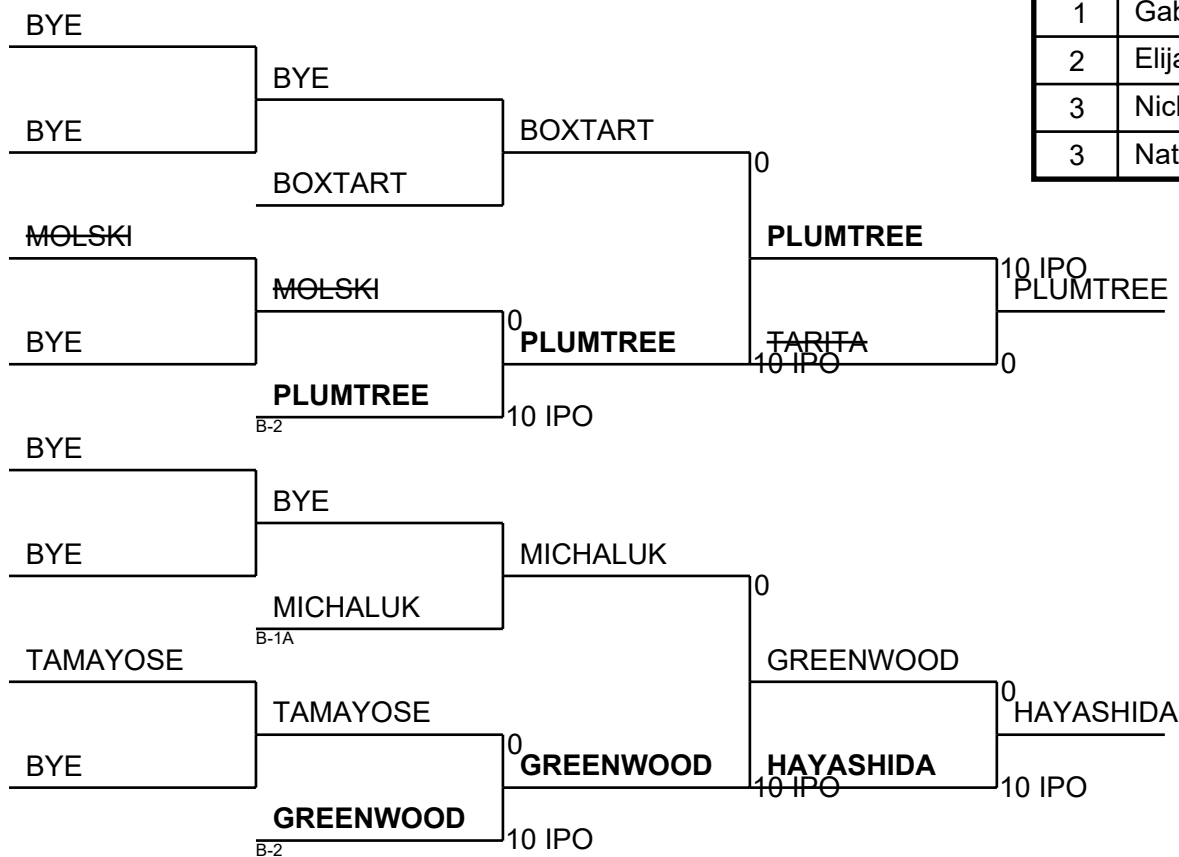


# U18 Men-66kg



## Results

Pos	Name
1	Gabriel PATERSON, Hart Jud
2	Elijah GILL, Abbotsford Ju
3	Nicholas PLUMTREE, Aberdeen
3	Nathaneal HAYASHIDA, Seatt





# U18 Men-73kg

## Competitors

#	Name	Grade	Club	1	2	3	Wins	Pts	Pos
1	Felix MUELLER (0,00)	Brown/Mar	Burnaby Judo Club	XX			0	0	3
2	Emil SCHENK (0,00)	BroBl/Mar	Burnaby Judo Club	10	XX	10	2	20	1
3	Kai RICHARDSON (0,00)	Brown/Mar	Williams Lake Judo Club	10		XX	1	10	2

## Matches

Match	White			Blue	Result	Time	Code
1	Felix MUELLER	1	2	Emil SCHENK	0 - 10	1:14	IPO
2	Felix MUELLER	1	3	Kai RICHARDSON	0 - 10	2:15	IPO
3	Emil SCHENK	2	3	Kai RICHARDSON	10 - 0	3:45	GSI

## Results

Pos	Name
1	Emil SCHENK, Burnaby Judo Club
2	Kai RICHARDSON, Williams Lake Judo Club
3	Felix MUELLER, Burnaby Judo Club

# U18 Men - Novice-50kg

## Competitors

#	Name	Grade	Club	1	2	3	Wins	Pts	Pos
1	Carter HARRIS (49,70)	Blue/Bleue	Abbotsford Judo Club	XX	10	10	2	20	1
2	Daniel GALLEN0 (48,00)	Green/Ver	Mile Zero Judo Club		XX	10	1	10	2
3	Jonathan ORTIZ (49,00)	Yellow/Jaune	Zenyu Judo Dojo			XX	0	0	3

## Matches

Match	White			Blue	Result	Time	Code
1	Carter HARRIS	1	2	Daniel GALLEN0	10 - 0	2:42	IPO
2	Carter HARRIS	1	3	Jonathan ORTIZ	10 - 0	1:08	IPO
A-1	Daniel GALLEN0	2	3	Jonathan ORTIZ	10 - 0	1:47	IPO

## Results

Pos	Name
1	Carter HARRIS, Abbotsford Judo Club
2	Daniel GALLEN0, Mile Zero Judo Club
3	Jonathan ORTIZ, Zenyu Judo Dojo

# U18 Men - Novice-66kg

## Competitors

#	Name	Grade	Club	1	2	3	Wins	Pts	Pos
1	Vojin POLEDICA (64,20)	Orange	Burnaby Judo Club	XX			0	0	3
2	James SHORTER (66,00)	Orange	Smithers Judo Club	10	XX		1	10	2
3	Mark YUN (66,00)	Orange	Champion Judo Club	10	10	XX	2	20	1

## Matches

Match	White			Blue	Result	Time	Code
1	Vojin POLEDICA	1	2	James SHORTER	0 - 10	1:40	IPO
2	Vojin POLEDICA	1	3	Mark YUN	0 - 10	0:47	IPO
A-2A	James SHORTER	2	3	Mark YUN	0 - 10	0:15	IPO

## Results

Pos	Name
1	Mark YUN, Champion Judo Club
2	James SHORTER, Smithers Judo Club
3	Vojin POLEDICA, Burnaby Judo Club

# U18 Women -44kg

## Competitors

#	Name	Grade	Club	1	2	1	2	1	2	Wins	Pts	Pos
1	Kylee ESPARBES (0,00)	Blue/Bleue	Steveston Judo Club	XX	10	XX		XX	10	2	20	1
2	Lola SHEARER (0,00)	Blue/Bleue	Steveston Judo Club		XX	5	XX		XX	1	5	2

## Matches

Match	White			Blue	Result	Time	Code
C-1	Kylee ESPARBES	1	2	Lola SHEARER	10 - 0	6:25	GSI
2	Lola SHEARER	2	1	Kylee ESPARBES	5 - 0	9:56	GSW
3	Kylee ESPARBES	1	2	Lola SHEARER	10 - 0	1:11	WIP

## Results

Pos	Name
1	Kylee ESPARBES, Steveston Judo Club
2	Lola SHEARER, Steveston Judo Club

# U18 Women -48kg

## Competitors

#	Name	Grade	Club	1	2	3	4	Wins	Pts	Pos
1	Ayumi MORITA (0,00)	Brown/Mar	Police Judo Junior	XX	5	5		2	10	2
2	Liwen ZHANG (0,00)	Green/Ver	Police Judo Junior		XX			0	0	4
3	Ekaterina DANILKOV (0,00)	Brown/Mar	Steveston Judo Club		10	XX		1	10	3
4	Dakota SANZANA (0,00)	Blue/Blue	Nanaimo Judo Club	5	10	10	XX	3	25	1

## Matches

Match	White		Blue	Result	Time	Code	
1	<b>Ayumi MORITA</b>	1	2	Liwen ZHANG	5 - 0	4:46	GSW
2	Ekaterina DANILKOV	3	4	<b>Dakota SANZANA</b>	0 - 10	2:20	IPO
3	<b>Ayumi MORITA</b>	1	3	Ekaterina DANILKOV	5 - 0	4:10	GSW
4	Liwen ZHANG	2	4	<b>Dakota SANZANA</b>	0 - 10	1:08	IPO
5	Ayumi MORITA	1	4	<b>Dakota SANZANA</b>	0 - 5	3:00	WAZ
6	Liwen ZHANG	2	3	<b>Ekaterina DANILKOV</b>	0 - 10	4:21	GSI

## Results

Pos	Name
1	Dakota SANZANA, Nanaimo Judo Club
2	Ayumi MORITA, Police Judo Junior
3	Ekaterina DANILKOV, Steveston Judo Club
4	Liwen ZHANG, Police Judo Junior

# U18 Women -52kg

## Competitors

#	Name	Grade	Club	1	2	3	Wins	Pts	Pos
1	Nova ROTBART (0,00)	Blue/Blue	Burnaby Judo Club	XX		10	1	10	2
2	Hailey KO (0,00)	Brown/Maroon	Burnaby Judo Club	5	XX	10	2	15	1
3	Minami SAKAMOTO (0,00)	Green/White	Police Judo Junior			XX	0	0	3

## Matches

Match	White			Blue	Result	Time	Code
C-3	Nova ROTBART	1	2	<b>Hailey KO</b>	0 - 5	3:00	WAZ
C-1	<b>Nova ROTBART</b>	1	3	Minami SAKAMOTO	10 - 0	2:08	WIP
3	<b>Hailey KO</b>	2	3	Minami SAKAMOTO	10 - 0	1:51	WIP

## Results

Pos	Name
1	Hailey KO, Burnaby Judo Club
2	Nova ROTBART, Burnaby Judo Club
3	Minami SAKAMOTO, Police Judo Junior

# U18 Women -57kg

## Competitors

#	Name	Grade	Club	1	2	3	Wins	Pts	Pos
1	Suneha KUMAR (0,00)	GreBI/Ver	Ippon Judo Dojo	XX			0	0	3
2	Rebecca BONSI (0,00)	Green/Ver	Budokan Judo Dojo - Seat	10	XX	5	2	15	1
3	Beata SCHENK (0,00)	Blue/Bleu	Burnaby Judo Club	5		XX	1	5	2

## Matches

Match	White			Blue	Result	Time	Code
B-2A	Suneha KUMAR	1	2	Rebecca BONSI	0 - 10	2:30	IPO
2	Suneha KUMAR	1	3	Beata SCHENK	0 - 5	4:15	GSW
3	Rebecca BONSI	2	3	Beata SCHENK	5 - 0	5:19	GSW

## Results

Pos	Name
1	Rebecca BONSI, Budokan Judo Dojo - Seattle
2	Beata SCHENK, Burnaby Judo Club
3	Suneha KUMAR, Ippon Judo Dojo

# U18 Women -63kg

## Competitors A

#	Name	Grade	Club	1	2	3	Wins	Pts	Pos
1	Maria LIAKOS (0,00)	Blue/Bleue	Steveston Judo Club	XX		10	1	10	2
2	Nyota MORISHO (0,00)	Brown/Mar	Victoria Judo Club	10	XX	10	2	20	1
3	Talaya GARCIA (0,00)	Green/Ver	Hippon Judo Dojo			XX	0	0	3

## Matches A

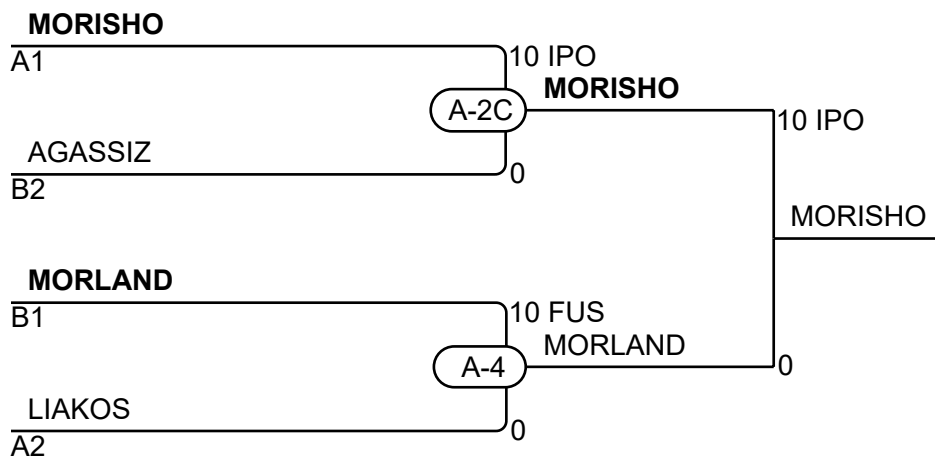
Match	White			Blue	Result	Time	Code
A-2	Maria LIAKOS	1	2	Nyota MORISHO	0 - 10	0:09	IPO
3	Maria LIAKOS	1	3	Talaya GARCIA	10 - 0	3:04	HAN
5	Nyota MORISHO	2	3	Talaya GARCIA	10 - 0	0:27	IPO

## Competitors B

#	Name	Grade	Club	4	5	6	Wins	Pts	Pos
4	Estelle MORLAND (0,00)	Brown/Mar	Nanaimo Judo Club	XX	10	10	2	20	1
5	Kaylin AGASSIZ (0,00)	GreBl/Ver	Abbotsford Judo Club		XX	10	1	10	2
6	Sarah TAI (0,00)	Green/Ver	Champion Judo Club			XX	0	0	3

## Matches B

Match	White			Blue	Result	Time	Code
2	Estelle MORLAND	4	5	Kaylin AGASSIZ	10 - 0	0:06	IPO
4	Estelle MORLAND	4	6	Sarah TAI	10 - 0	0:11	IPO
6	Kaylin AGASSIZ	5	6	Sarah TAI	10 - 0	0:43	IPO



## Results

Pos	Name
1	Nyota MORISHO, Victoria Judo Club
2	Estelle MORLAND, Nanaimo Judo Club
3	Kaylin AGASSIZ, Abbotsford Judo Club
3	Maria LIAKOS, Steveston Judo Club



# U21 Men-55kg

## Competitors

#	Name	Grade	Club	1	2	1	2	1	2	Wins	Pts	Pos
1	Joshua DARMADI (0,00)	Brown/Mar	Nanaimo Judo Club	XX	10	XX	10	XX		2	20	1
2	Andries VANZYL (0,00)	BluBr/Bl	Hart Judo Academy			XX		XX	XX	0	0	2

## Matches

Match	White		Blue	Result	Time	Code	
1	Joshua DARMADI	1	2	Andries VANZYL	10 - 0	0:00	FUS
2	Andries VANZYL	2	1	Joshua DARMADI	0 - 10	0:00	FUS
3	Joshua DARMADI	1	2	Andries VANZYL			

## Results

Pos	Name
1	Joshua DARMADI, Nanaimo Judo Club
2	Andries VANZYL, Hart Judo Academy

# U21 Men-60kg

## Competitors

#	Name	Grade	Club	1	2	3	4	5	Wins	Pts	Pos
1	Marcus POTTS (0,00)	BluBr/Bl	Shidokai Judo	XX		10	10	5	3	25	2
2	Maximus JOE (0,00)	Brown/Mar	Burnaby Judo Club	10	XX	5		10	3	25	1
3	Aidan KEYES (0,00)	Brown/Mar	Police Judo Junior			XX	10		1	10	4
4	Kaito YAMAWAKI (0,00)	Brown/Mar	Steveston Judo Club		10		XX		1	10	5
5	Alex ORDANO (0,00)	Brown/Mar	Steveston Judo Club			10	10	XX	2	20	3

## Matches

Match	White			Blue	Result	Time	Code
1	Kaito YAMAWAKI	4	5	Alex ORDANO	0 - 10	3:04	IPO
2	Marcus POTTS	1	2	Maximus JOE	0 - 10	1:39	IPO
3	Aidan KEYES	3	4	Kaito YAMAWAKI	10 - 0	3:42	HAN
4	Marcus POTTS	1	5	Alex ORDANO	5 - 0	4:00	WAZ
5	Maximus JOE	2	3	Aidan KEYES	5 - 0	4:00	WAZ
6	Marcus POTTS	1	4	Kaito YAMAWAKI	10 - 0	1:28	WIP
7	Aidan KEYES	3	5	Alex ORDANO	0 - 10	1:15	WIP
8	Maximus JOE	2	4	Kaito YAMAWAKI	0 - 10	3:03	IPO
9	Marcus POTTS	1	3	Aidan KEYES	10 - 0	0:55	IPO
10	Maximus JOE	2	5	Alex ORDANO	10 - 0	1:11	IPO

## Results

Pos	Name
1	Maximus JOE, Burnaby Judo Club
2	Marcus POTTS, Shidokai Judo
3	Alex ORDANO, Steveston Judo Club
4	Aidan KEYES, Police Judo Junior
5	Kaito YAMAWAKI, Steveston Judo Club

# U21 Men-66kg

## Competitors

#	Name	Grade	Club	1	2	3	Wins	Pts	Pos
1	Ioan FRIZZELL (60,90)	BroBI/Mar	Hart Judo Academy	XX			0	0	3
2	Nicholas PLUMTREE (0,00)	Brown/Mar	Aberdeen Judo Academy	10	XX	10	2	20	1
3	Benjamin LEATHERDALE (0,00)	BroBI/Mar	Kelowna Judo Club	10		XX	1	10	2

## Matches

Match	White			Blue	Result	Time	Code
D-4	Ioan FRIZZELL	1	2	<b>Nicholas PLUMTREE</b>	0 - 10	1:43	WIP
D-1	Ioan FRIZZELL	1	3	<b>Benjamin LEATHERDALE</b>	0 - 10	0:45	IPO
3	<b>Nicholas PLUMTREE</b>	2	3	Benjamin LEATHERDALE	10 - 0	3:13	IPO

## Results

Pos	Name
1	Nicholas PLUMTREE, Aberdeen Judo Academy
2	Benjamin LEATHERDALE, Kelowna Judo Club
3	Ioan FRIZZELL, Hart Judo Academy

# U21 Men-73kg

## Competitors A

#	Name	Grade	Club	1	2	3	4	Wins	Pts	Pos
1	Felix MUELLER (0,00)	Brown/Mar	Burnaby Judo Club	XX				0	0	4
2	Jackson BRADLEY (0,00)	BroBI/Mar	Steveston Judo Club	5	XX	10		2	15	2
3	Kai RICHARDSON (0,00)	Brown/Mar	Williams Lake Judo Club	10		XX		1	10	3
4	Finn SCHROEDER (0,00)	BroBI/Mar	Victoria Judo Club	10	10	10	XX	3	30	1

## Matches A

Match	White	Blue	Result	Time	Code
1	Felix MUELLER 1 2	Jackson BRADLEY	0 - 5	4:00	WAZ
2	Kai RICHARDSON 3 4	Finn SCHROEDER	0 - 10	5:04	GSI
4	Felix MUELLER 1 3	Kai RICHARDSON	0 - 10	2:29	WIP
5	Jackson BRADLEY 2 4	Finn SCHROEDER	0 - 10	3:52	IPO
7	Felix MUELLER 1 4	Finn SCHROEDER	0 - 10	2:19	IPO
8	Jackson BRADLEY 2 3	Kai RICHARDSON	10 - 0	8:25	GSI

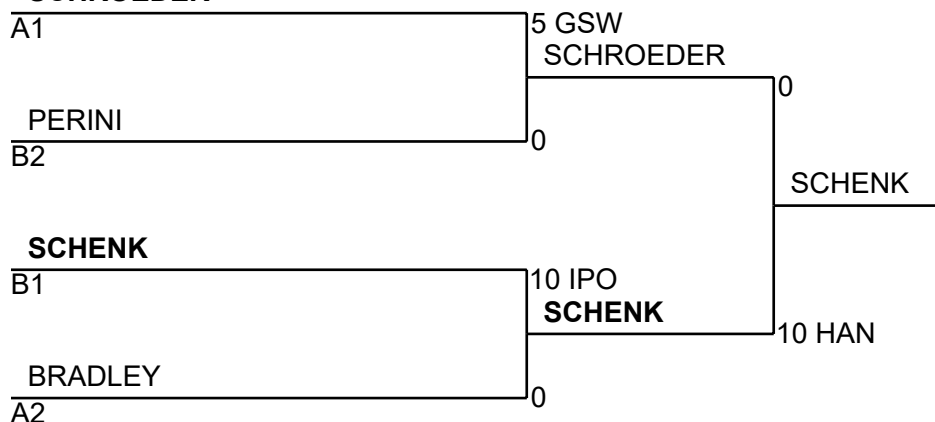
## Competitors B

#	Name	Grade	Club	5	6	7	Wins	Pts	Pos
5	Emil SCHENK (0,00)	BroBI/Mar	Burnaby Judo Club	XX	10	5	2	15	1
6	Davin GREENWOOD (0,00)	Brown/Mar	Hart Judo Academy		XX		0	0	3
7	Gabriel PERINI (0,00)	BroBI/Mar	Nanaimo Judo Club		10	XX	1	10	2

## Matches B

Match	White	Blue	Result	Time	Code
3	Emil SCHENK 5 6	Davin GREENWOOD	10 - 0	0:43	IPO
6	Emil SCHENK 5 7	Gabriel PERINI	5 - 0	4:00	WAZ
9	Davin GREENWOOD 6 7	Gabriel PERINI	0 - 10	1:03	IPO

### SCHROEDER



## Results

Pos	Name
1	Emil SCHENK, Burnaby Judo Club
2	Finn SCHROEDER, Victoria Judo Club
3	Gabriel PERINI, Nanaimo Judo Club
3	Jackson BRADLEY, Steveston Judo Club

# U21 Men-90kg

## Competitors

#	Name	Grade	Club	1	2	3	Wins	Pts	Pos
1	Jaden GAUW (77,60)	Brown/Maroon	Burnaby Judo Club	XX	10		1	10	2
2	Dylan ORDANO (77,50)	Bro/Bk/White	Steveston Judo Club		XX		0	0	3
3	Payton HARRIS (85,40)	Bro/Bk/White	Abbotsford Judo Club	10	10	XX	2	20	1

## Matches

Match	White	Blue	Result	Time	Code
1	Jaden GAUW	Dylan ORDANO	10 - 0	1:21	IPO
2	Jaden GAUW	Payton HARRIS	0 - 10	0:35	WIP
3	Dylan ORDANO	Payton HARRIS	0 - 10	0:13	IPO

## Results

Pos	Name
1	Payton HARRIS, Abbotsford Judo Club
2	Jaden GAUW, Burnaby Judo Club
3	Dylan ORDANO, Steveston Judo Club

# U21 Women - Novice-70kg

## Competitors

#	Name	Grade	Club	1	2	3	Wins	Pts	Pos
1	Grace ZHANG (67,90)	Yellow/Jau	Ubc Judo Club	XX		10	1	10	2
2	Felicity ALLEN (61,70)	YelOr/Jau	Champion Judo Club	10	XX	10	2	20	1
3	Cecilia SOROCO (66,00)	Yellow/Jau	Steveston Judo Club			XX	0	0	3

## Matches

Match	White			Blue	Result	Time	Code
1	Grace ZHANG	1	2	<b>Felicity ALLEN</b>	0 - 10	0:52	IPO
2	<b>Grace ZHANG</b>	1	3	Cecilia SOROCO	10 - 0	0:32	IPO
3	<b>Felicity ALLEN</b>	2	3	Cecilia SOROCO	10 - 0	1:25	IPO

## Results

Pos	Name
1	Felicity ALLEN, Champion Judo Club
2	Grace ZHANG, Ubc Judo Club
3	Cecilia SOROCO, Steveston Judo Club

# U21 Women -52kg

## Competitors

#	Name	Grade	Club	1	2	3	4	Wins	Pts	Pos
1	Hailey KO (0,00)	Brown/Maroon	Burnaby Judo Club	XX	10	10		2	20	2
2	Brooke CORBETT (0,00)	Brown/Maroon	Hart Judo Academy		XX	10		1	10	3
3	Ayumi MORITA (0,00)	Brown/Maroon	Police Judo Junior			XX		0	0	4
4	Tami GOTO (0,00)	Bro/Bl/Maroon	Prince George Judo Club	10	10	10	XX	3	30	1

## Matches

Match	White			Blue	Result	Time	Code
B-1	<b>Hailey KO</b>	1	2	Brooke CORBETT	10 - 0	2:42	WIP
2	Ayumi MORITA	3	4	<b>Tami GOTO</b>	0 - 10	0:38	IPO
3	<b>Hailey KO</b>	1	3	Ayumi MORITA	10 - 0	1:41	WIP
4	Brooke CORBETT	2	4	<b>Tami GOTO</b>	0 - 10	1:57	WIP
5	Hailey KO	1	4	<b>Tami GOTO</b>	0 - 10	3:31	IPO
6	<b>Brooke CORBETT</b>	2	3	Ayumi MORITA	10 - 0	0:00	KIK

## Results

Pos	Name
1	Tami GOTO, Prince George Judo Club
2	Hailey KO, Burnaby Judo Club
3	Brooke CORBETT, Hart Judo Academy
4	Ayumi MORITA, Police Judo Junior

# U21 Women -57A

## Competitors

#	Name	Grade	Club	1	2	3	Wins	Pts	Pos
1	Karissa COMEAU (0,00)	Brown/Mar	Abbotsford Judo Club	XX	10	10	2	20	1
2	Klavdia DANILKOV (0,00)	Brown/Mar	Steveston Judo Club		XX	10	1	10	2
3	Rebecca BONSI (0,00)	Green/Ver	Budokan Judo Dojo - Seat			XX	0	0	3

## Matches

Match	White			Blue	Result	Time	Code
A-1	<b>Karissa COMEAU</b>	1	2	Klavdia DANILKOV	10 - 0	0:26	WIP
A-1	<b>Karissa COMEAU</b>	1	3	Rebecca BONSI	10 - 0	1:08	IPO
A-1A	<b>Klavdia DANILKOV</b>	2	3	Rebecca BONSI	10 - 0	0:41	IPO

## Results

Pos	Name
1	Karissa COMEAU, Abbotsford Judo Club
2	Klavdia DANILKOV, Steveston Judo Club
3	Rebecca BONSI, Budokan Judo Dojo - Seattle



# U21 Women -57kg

## Competitors

#	Name	Grade	Club	1	2	3	4	5	Wins	Pts	Pos
1	Sienna MCCORKELL (0,00)	Green/Ver	Mile Zero Judo Club	XX				10	1	10	4
2	Klavdia DANILKOV (0,00)	Brown/Mar	Steveston Judo Club	10	XX	10		10	3	30	2
3	Rebecca BONSI (0,00)	Green/Ver	Budokan Judo Dojo - Seattle	10		XX		10	2	20	3
4	Karissa COMEAU (0,00)	Brown/Mar	Abbotsford Judo Club	10	10	10	XX	10	4	40	1
5	Launa HINTON (0,00)	Bro/Bl	Abbotsford Judo Club					XX	0	0	5

## Matches

Match	White			Blue	Result	Time	Code
1	<b>Karissa COMEAU</b>	4	5	Launa HINTON	10 - 0	0:34	IPO
2	Sienna MCCORKELL	1	2	<b>Klavdia DANILKOV</b>	0 - 10	0:24	IPO
D-6B	Rebecca BONSI	3	4	<b>Karissa COMEAU</b>	0 - 10	5:49	IPO
D-4B	<b>Sienna MCCORKELL</b>	1	5	Launa HINTON	10 - 0	0:00	KIK
D-4C	<b>Klavdia DANILKOV</b>	2	3	Rebecca BONSI	10 - 0	1:19	IPO
D-8A	Sienna MCCORKELL	1	4	<b>Karissa COMEAU</b>	0 - 10	1:42	IPO
7	<b>Rebecca BONSI</b>	3	5	Launa HINTON	10 - 0	0:00	KIK
8	Klavdia DANILKOV	2	4	<b>Karissa COMEAU</b>	0 - 10	2:26	IPO
9	Sienna MCCORKELL	1	3	<b>Rebecca BONSI</b>	0 - 10	0:19	IPO
10	<b>Klavdia DANILKOV</b>	2	5	Launa HINTON	10 - 0	0:00	KIK

## Results

Pos	Name
1	Karissa COMEAU, Abbotsford Judo Club
2	Klavdia DANILKOV, Steveston Judo Club
3	Rebecca BONSI, Budokan Judo Dojo - Seattle
4	Sienna MCCORKELL, Mile Zero Judo Club
5	Launa HINTON, Abbotsford Judo Club

# U21 Women -63kg

## Competitors

#	Name	Grade	Club	1	2	3	Wins	Pts	Pos
1	Estelle MORLAND (0,00)	Brown/Mar	Nanaimo Judo Club	XX			0	0	3
2	Caleigh KURAMOTO (0,00)	Bro/BI/Mar	Steveston Judo Club	10	XX	10	2	20	1
3	Talaya GARCIA (0,00)	Green/Ver	Ippon Judo Dojo	10		XX	1	10	2

## Matches

Match	White			Blue	Result	Time	Code
1	Estelle MORLAND	1	2	Caleigh KURAMOTO	0 - 10	0:45	IPO
2	Estelle MORLAND	1	3	Talaya GARCIA	0 - 10	5:48	GSI
3	Caleigh KURAMOTO	2	3	Talaya GARCIA	10 - 0	3:07	IPO

## Results

Pos	Name
1	Caleigh KURAMOTO, Steveston Judo Club
2	Talaya GARCIA, Ippon Judo Dojo
3	Estelle MORLAND, Nanaimo Judo Club