

Senior Men -71kg

Competitors

#	Name	Grade	Club	1	2	3	Wins	Pts	Pos
1	Raymond NGUYEN (66,00)	Blue	Zenyu USA	XX			0	0	3
2	Howie HOANG (67,00)	Green	Police Junior BC	10	XX		1	10	2
3	Rafshan MASHANLO (68,00)	Green	Burnaby BC	10	5	XX	2	15	1

Matches

Match	White			Blue	Result	Time	Code
1	Raymond NGUYEN	1	2	Howie HOANG	0 - 10	1:47	IPO
2	Raymond NGUYEN	1	3	Rafshan MASHANLO	0 - 10	2:06	IPO
3	Howie HOANG	2	3	Rafshan MASHANLO	0 - 5	4:00	WAZ

Results

Pos	Name
1	Rafshan MASHANLO, Burnaby BC
2	Howie HOANG, Police Junior BC

Senior Men -77kg

Competitors

#	Name	Grade	Club	1	2	3	4	Wins	Pts	Pos
1	Pawel RYGIEL (77,00)	Green	Abbotsford BC	XX		10		1	10	3
2	Carter VEENENDAAL (73,00)	Blue	Abbotsford BC	1	XX	10	10	3	21	1
3	John CRUZ (73,00)	Green	Westminster BC			XX	10	1	10	4
4	Stefanov STANISLAV (71,00)	Green	Steveston BC	10			XX	1	10	2

Matches

Match	White			Blue	Result	Time	Code
1	Pawel RYGIEL	1	2	Carter VEENENDAAL	0 - 1	0:00	GS
2	John CRUZ	3	4	Stefanov STANISLAV	10 - 0	2:52	IPO
3	Pawel RYGIEL	1	3	John CRUZ	10 - 0	0:30	IPO
4	Carter VEENENDAAL	2	4	Stefanov STANISLAV	10 - 0	2:24	IPO
5	Pawel RYGIEL	1	4	Stefanov STANISLAV	0 - 10	0:20	IPO
6	Carter VEENENDAAL	2	3	John CRUZ	10 - 0	0:00	KIK

Results

Pos	Name
1	Carter VEENENDAAL, Abbotsford BC
2	Stefanov STANISLAV, Steveston BC
3	Pawel RYGIEL, Abbotsford BC
4	John CRUZ, Westminster BC

Senior Men -94kg

Competitors

#	Name	Grade	Club	1	2	1	2	1	2	Wins	Pts	Pos
1	Kristian CASTANEDA (82,00)	Blue	Burnaby BC	XX		XX		XX		0	0	2
2	Benjamin HAUGHTON (94,00)	Green	Kamloops BC	10	XX	10	XX	10	XX	3	30	1

Matches

Match	White			Blue	Result	Time	Code
1	Kristian CASTANEDA	1	2	Benjamin HAUGHTON	0 - 10	1:30	IPO
2	Benjamin HAUGHTON	2	1	Kristian CASTANEDA	10 - 0	0:39	IPO
3	Kristian CASTANEDA	1	2	Benjamin HAUGHTON	0 - 10	0:36	IPO

Results

Pos	Name
1	Benjamin HAUGHTON, Kamloops BC

Senior Men (Novice) -100kg

Competitors

#	Name	Grade	Club	1	2	1	2	1	2	Wins	Pts	Pos
1	Aki ITO (99,00)	Orange	Steveston BC	XX	10	XX	10	XX		2	20	1
2	Michael CROWN (91,00)	Yellow	Steveston BC		XX		XX		XX	0	0	2

Matches

Match	White			Blue	Result	Time	Code
1	Aki ITO	1	2	Michael CROWN	10 - 0	1:02	IPO
2	Michael CROWN	2	1	Aki ITO	0 - 10	0:51	IPO
3	Aki ITO	1	2	Michael CROWN			

Results

Pos	Name
1	Aki ITO, Steveston BC

Senior Men (Novice) -72kg

Competitors

#	Name	Grade	Club	1	2	3	4	Wins	Pts	Pos
1	Andrei PRUSHAK (65,00)	Yellow	Burnaby BC	XX		10		1	10	3
2	Peter LEE (72,00)	Orange	Burnaby BC	10	XX	10	10	3	30	1
3	Arvin CAJIGAS (67,00)	Orange	Steveston BC			XX		0	0	4
4	Zachary THORSON (65,00)	Yellow	Zenyu USA	10		10	XX	2	20	2

Matches

Match	White			Blue	Result	Time	Code
1	Andrei PRUSHAK	1	2	Peter LEE	0 - 10	0:30	IPO
2	Arvin CAJIGAS	3	4	Zachary THORSON	0 - 10	1:46	IPO
3	Andrei PRUSHAK	1	3	Arvin CAJIGAS	10 - 0	0:36	IPO
4	Peter LEE	2	4	Zachary THORSON	10 - 0	0:43	IPO
5	Andrei PRUSHAK	1	4	Zachary THORSON	0 - 10	0:56	IPO
6	Peter LEE	2	3	Arvin CAJIGAS	10 - 0	1:16	IPO

Results

Pos	Name
1	Peter LEE, Burnaby BC
2	Zachary THORSON, Zenyu USA
3	Andrei PRUSHAK, Burnaby BC

Senior Men (Novice) -81kg

Competitors

#	Name	Grade	Club	1	2	3	4	Wins	Pts	Pos
1	Vania RODRIGUEZ SUAREZ (80,00)	Orange	Burnaby BC	XX	10		10	2	20	2
2	James Darren SERHAN (78,47)	Yellow	Burnaby BC		XX		10	1	10	3
3	Lewis WESTON (81,00)	Orange	Kensington BC	5	10	XX	10	3	25	1
4	Jack SMURTHWAITE (79,00)	Orange	Campbell River BC				XX	0	0	4

Matches

Match	White		Blue		Result	Time	Code
1	Vania RODRIGUEZ SUAREZ	1	2	James Darren SERHAN	10 - 0	1:31	IPO
2	Lewis WESTON	3	4	Jack SMURTHWAITE	10 - 0	0:38	IPO
3	Vania RODRIGUEZ SUAREZ	1	3	Lewis WESTON	0 - 5	3:00	WAZ
4	James Darren SERHAN	2	4	Jack SMURTHWAITE	10 - 0	3:00	IPO
5	Vania RODRIGUEZ SUAREZ	1	4	Jack SMURTHWAITE	10 - 0	0:20	IPO
6	James Darren SERHAN	2	3	Lewis WESTON	0 - 10	0:15	IPO

Results

Pos	Name
1	Lewis WESTON, Kensington BC
2	Vania RODRIGUEZ SUAREZ, Burnaby BC
3	James Darren SERHAN, Burnaby BC

Senior Men (Novice) -89kg

Competitors

#	Name	Grade	Club	1	2	3	Wins	Pts	Pos
1	Robin CHOI (89,00)	Orange	Kamloops BC	XX		10	1	10	2
2	Mike SHANNON (87,00)	Orange	Burnaby BC	5	XX	10	2	15	1
3	Brandon CARDINAL (86,00)	Orange	Steveston BC			XX	0	0	3

Matches

Match	White			Blue	Result	Time	Code
1	Robin CHOI	1	2	Mike SHANNON	0 - 5	3:00	WAZ
2	Robin CHOI	1	3	Brandon CARDINAL	10 - 0	2:13	IPO
3	Mike SHANNON	2	3	Brandon CARDINAL	10 - 0	0:09	IPO

Results

Pos	Name
1	Mike SHANNON, Burnaby BC
2	Robin CHOI, Kamloops BC

Senior Men (Novice) +100kg

Competitors

#	Name	Grade	Club	1	2	1	2	1	2	Wins	Pts	Pos
1	Dingcheng ZHANG (102,00)	Yellow	Burnaby BC	XX	10	XX	10	XX		2	20	1
2	Andre VAUDAN (109,00)	Orange	Langley BC		XX		XX		XX	0	0	2

Matches

Match	White			Blue	Result	Time	Code
1	Dingcheng ZHANG	1	2	Andre VAUDAN	10 - 0	0:08	IPO
2	Andre VAUDAN	2	1	Dingcheng ZHANG	0 - 10	0:10	IPO
3	Dingcheng ZHANG	1	2	Andre VAUDAN			

Results

Pos	Name
1	Dingcheng ZHANG, Burnaby BC

Senior Women(Novice) -69kg

Competitors

#	Name	Grade	Club	1	2	3	Wins	Pts	Pos
1	Nichole SCOTT (69,00)	Orange	Langley BC	XX	10		1	10	2
2	Brielle Ann CANARES (63,00)	Orange	Zenyu USA		XX		0	0	3
3	Mariko GLOVER (63,00)	Orange	Burnaby BC	10	10	XX	2	20	1

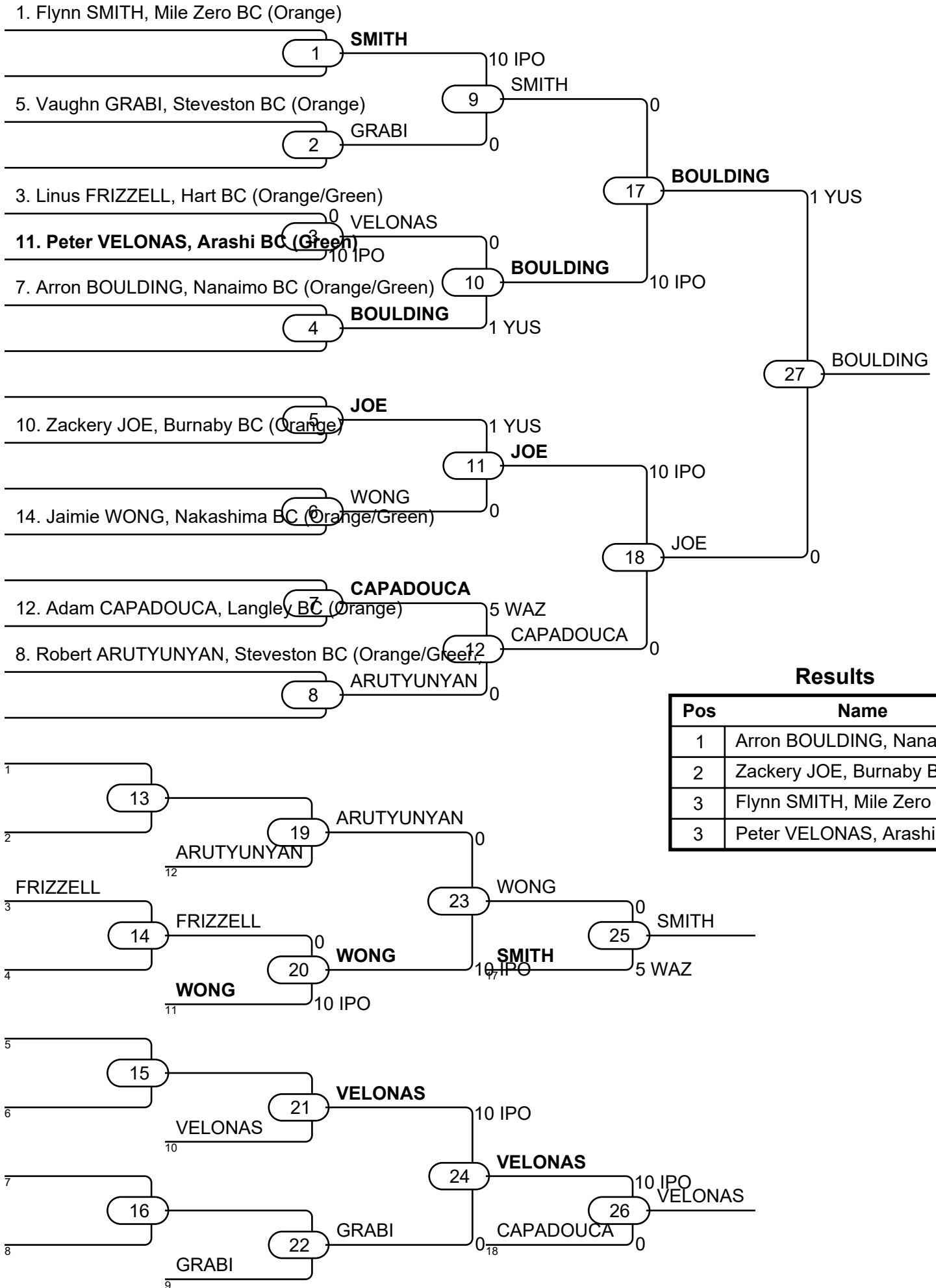
Matches

Match	White			Blue	Result	Time	Code
1	Nichole SCOTT	1	2	Brielle Ann CANARES	10 - 0	0:13	IPO
2	Nichole SCOTT	1	3	Mariko GLOVER	0 - 10	1:31	IPO
3	Brielle Ann CANARES	2	3	Mariko GLOVER	0 - 10	0:30	IPO

Results

Pos	Name
1	Mariko GLOVER, Burnaby BC
2	Nichole SCOTT, Langley BC

U14 Men -34kg



U14 Men -38kg

Competitors

#	Name	Grade	Club	1	2	3	4	Wins	Pts	Pos
1	Tysen NITTA (34,50)	Orange	Steveston BC	XX	10	10		2	20	2
2	Kashev SHARMA (37,46)	Orange	Steveston BC		XX	10		1	10	3
3	Seth FULTON (36,50)	Orange	Kamloops BC			XX		0	0	4
4	Kiyoshi COMLEY (35,50)	Orange/Green	Vernon BC	1	10	5	XX	3	16	1

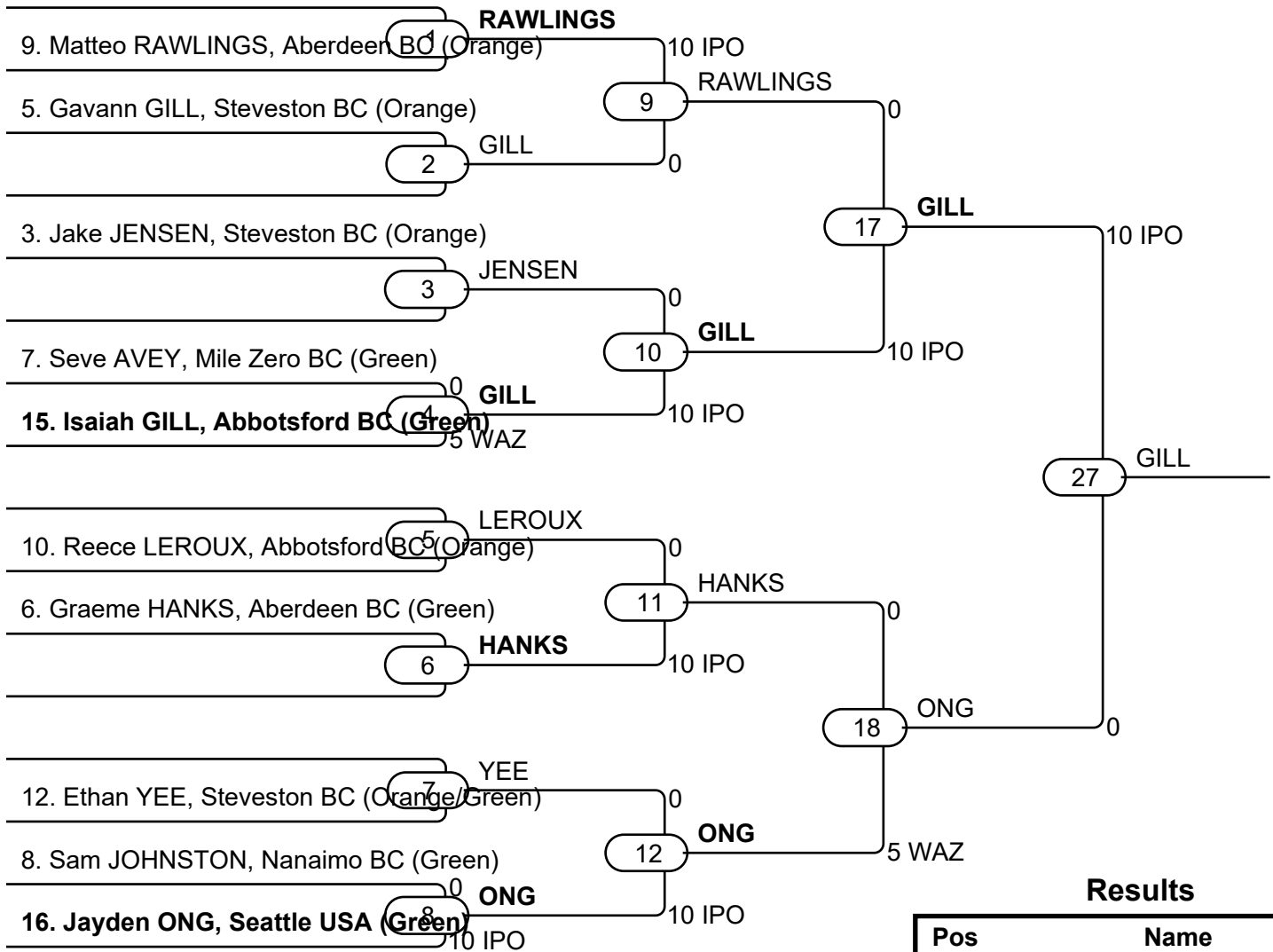
Matches

Match	White			Blue	Result	Time	Code
1	Tysen NITTA	1	2	Kashev SHARMA	10 - 0	1:09	IPO
2	Seth FULTON	3	4	Kiyoshi COMLEY	0 - 5	3:00	WAZ
3	Tysen NITTA	1	3	Seth FULTON	10 - 0	1:43	IPO
4	Kashev SHARMA	2	4	Kiyoshi COMLEY	0 - 10	1:20	IPO
5	Tysen NITTA	1	4	Kiyoshi COMLEY	0 - 1	6:00	YUS
6	Kashev SHARMA	2	3	Seth FULTON	10 - 0	1:17	IPO

Results

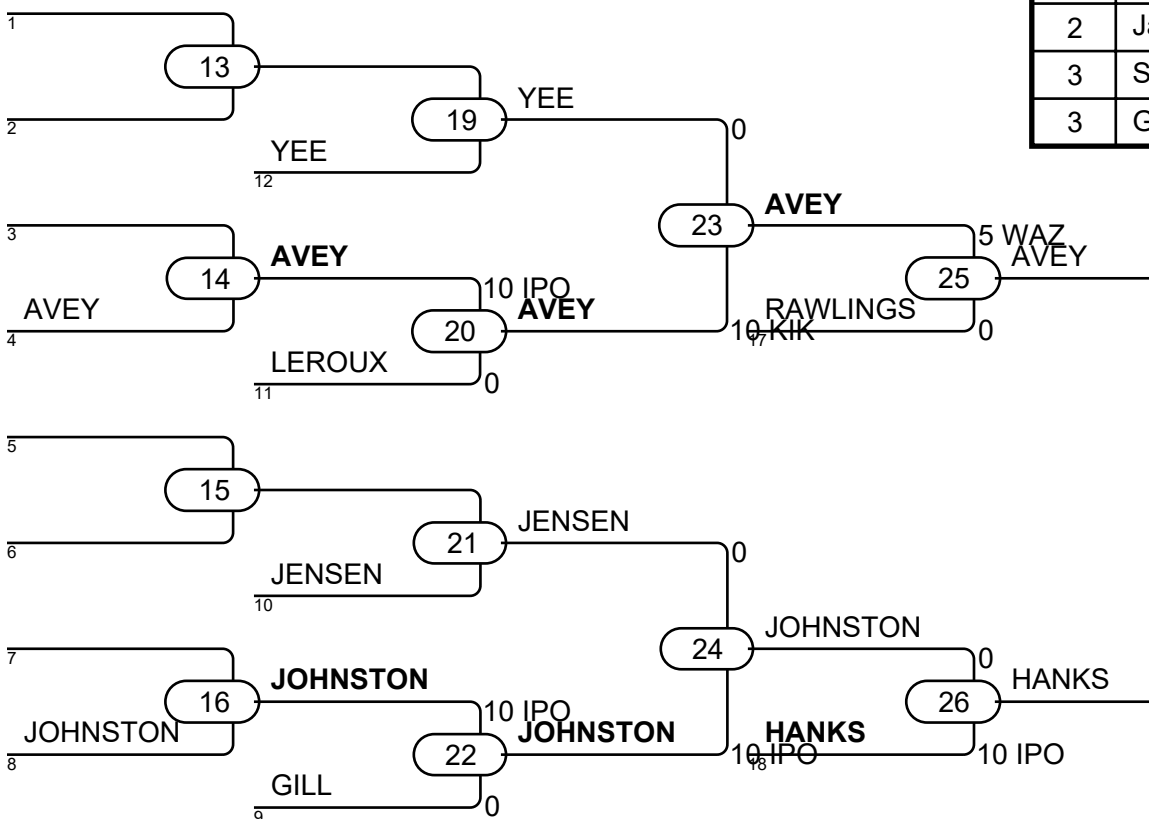
Pos	Name
1	Kiyoshi COMLEY, Vernon BC
2	Tysen NITTA, Steveston BC
3	Kashev SHARMA, Steveston BC

U14 Men -42kg



Results

Pos	Name
1	Isaiah GILL, Abbotsford BC
2	Jayden ONG, Seattle USA
3	Seve AVEY, Mile Zero BC
3	Graeme HANKS, Aberdeen BC



U14 Men -45kg

Competitors

#	Name	Grade	Club	1	2	3	4	5	Wins	Pts	Pos
1	Ethan CAJIGAS (45,00)	Orange	Steveston BC	XX	10	10		10	3	30	2
2	Branson MAR (43,00)	Orange	Steveston BC		XX	10			1	10	4
3	Andrew MAGAS (43,00)	Orange	Westminster BC			XX			0	0	5
4	Elijah GILL (45,00)	Green	Abbotsford BC	10	10	10	XX	10	4	40	1
5	Logan SIMPSON (44,50)	Green	Abbotsford BC		10	10		XX	2	20	3

Matches

Match	White			Blue	Result	Time	Code
1	Elijah GILL	4	5	Logan SIMPSON	10 - 0	1:45	IPO
2	Ethan CAJIGAS	1	2	Branson MAR	10 - 0	1:41	IPO
3	Andrew MAGAS	3	4	Elijah GILL	0 - 10	0:32	IPO
4	Ethan CAJIGAS	1	5	Logan SIMPSON	10 - 0	1:52	IPO
5	Branson MAR	2	3	Andrew MAGAS	10 - 0	0:33	IPO
6	Ethan CAJIGAS	1	4	Elijah GILL	0 - 10	2:46	IPO
7	Andrew MAGAS	3	5	Logan SIMPSON	0 - 10	1:12	IPO
8	Branson MAR	2	4	Elijah GILL	0 - 10	0:33	IPO
9	Ethan CAJIGAS	1	3	Andrew MAGAS	10 - 0	0:07	IPO
10	Branson MAR	2	5	Logan SIMPSON	0 - 10	1:42	IPO

Results

Pos	Name
1	Elijah GILL, Abbotsford BC
2	Ethan CAJIGAS, Steveston BC
3	Logan SIMPSON, Abbotsford BC
4	Branson MAR, Steveston BC

U14 Men -50kg

Competitors

#	Name	Grade	Club	1	2	3	4	5	6	Wins	Pts	Pos
1	Diar SHAKIMOV (50,00)	Green	Burnaby BC	XX	10					1	10	5
2	Andrei DUMITRACHE (46,00)	Orange	Abbotsford BC		XX				10	1	10	6
3	Finn NEWCOMEN (48,50)	Orange/Green	Kamloops BC	10	10	XX				2	20	4
4	Anthony TRAN (46,00)	Green/Blue	Zenyu USA	10	10	10	XX	10	10	5	50	1
5	Demitru TARITA (46,00)	Orange	Westminster BC	10	10	10		XX	10	4	40	2
6	Nikolai GOLOVYAK (48,00)	Green	Nakashima BC	10		10			XX	2	20	3

Matches

Match	White	Blue	Result	Time	Code
1	Diar SHAKIMOV	1 2 Andrei DUMITRACHE	10 - 0	0:01	IPO
2	Finn NEWCOMEN	3 5 Demitru TARITA	0 - 10	1:19	IPO
3	Andrei DUMITRACHE	2 4 Anthony TRAN	0 - 10	2:29	IPO
4	Diar SHAKIMOV	1 6 Nikolai GOLOVYAK	0 - 10	0:39	IPO
5	Anthony TRAN	4 5 Demitru TARITA	10 - 0	0:20	IPO
6	Andrei DUMITRACHE	2 3 Finn NEWCOMEN	0 - 10	3:00	IPO
7	Anthony TRAN	4 6 Nikolai GOLOVYAK	10 - 0	0:12	IPO
8	Andrei DUMITRACHE	2 5 Demitru TARITA	0 - 10	0:41	IPO
9	Finn NEWCOMEN	3 4 Anthony TRAN	0 - 10	1:00	IPO
10	Diar SHAKIMOV	1 5 Demitru TARITA	0 - 10	3:00	KIK
11	Finn NEWCOMEN	3 6 Nikolai GOLOVYAK	0 - 10	2:45	IPO
12	Diar SHAKIMOV	1 4 Anthony TRAN	0 - 10	0:00	KIK
13	Demitru TARITA	5 6 Nikolai GOLOVYAK	10 - 0	3:00	IPO
14	Diar SHAKIMOV	1 3 Finn NEWCOMEN	0 - 10	0:00	KIK
15	Andrei DUMITRACHE	2 6 Nikolai GOLOVYAK	10 - 0	2:16	IPO

Results

Pos	Name
1	Anthony TRAN, Zenyu USA
2	Demitru TARITA, Westminster BC
3	Nikolai GOLOVYAK, Nakashima BC
4	Finn NEWCOMEN, Kamloops BC
5	Diar SHAKIMOV, Burnaby BC
6	Andrei DUMITRACHE, Abbotsford BC

U14 Men -55kg

Competitors

#	Name	Grade	Club	1	2	3	4	Wins	Pts	Pos
1	Raphael GAANAN (54,00)	Green	Burnaby BC	XX	10	10	10	3	30	1
2	Fedor SAMOYLENKO (55,00)	Orange/Green	Burnaby BC		XX	10	10	2	20	2
3	Maanit SHARMA (55,00)	Orange/Green	Steveston BC			XX	10	1	10	3
4	Bostyn MACDONALD (49,50)	Green	Nanaimo BC				XX	0	0	4

Matches

Match	White	Blue	Result	Time	Code
1	Raphael GAANAN 1 2	Fedor SAMOYLENKO	10 - 0	0:45	IPO
2	Maanit SHARMA 3 4	Bostyn MACDONALD	10 - 0	1:05	IPO
3	Raphael GAANAN 1 3	Maanit SHARMA	10 - 0	0:21	IPO
4	Fedor SAMOYLENKO 2 4	Bostyn MACDONALD	10 - 0	3:00	IPO
5	Raphael GAANAN 1 4	Bostyn MACDONALD	10 - 0	0:01	KIK
6	Fedor SAMOYLENKO 2 3	Maanit SHARMA	10 - 0	0:41	IPO

Results

Pos	Name
1	Raphael GAANAN, Burnaby BC
2	Fedor SAMOYLENKO, Burnaby BC
3	Maanit SHARMA, Steveston BC

U14 Men -60kg

Competitors

#	Name	Grade	Club	1	2	3	Wins	Pts	Pos
1	Brandon UM (57,00)	Orange	Steveston BC	XX		10	1	10	2
2	Ryu TAMAYOSE (57,00)	Orange/Green	Steveston BC	10	XX	10	2	20	1
3	Martinus VAN ZYL (57,00)	Green	Hart BC			XX	0	0	3

Matches

Match	White			Blue	Result	Time	Code
1	Brandon UM	1	2	Ryu TAMAYOSE	0 - 10	2:35	HAN
2	Brandon UM	1	3	Martinus VAN ZYL	10 - 0	2:43	IPO
3	Ryu TAMAYOSE	2	3	Martinus VAN ZYL	10 - 0	1:05	IPO

Results

Pos	Name
1	Ryu TAMAYOSE, Steveston BC
2	Brandon UM, Steveston BC

U14 Women -36kg

Competitors

#	Name	Grade	Club	1	2	1	2	1	2	Wins	Pts	Pos
1	Ekaterina DANILKOV (33,00)	Orange	Burnaby BC	XX		XX	10	XX	10	2	20	1
2	Lola SHEARER (36,00)	Orange/Green	Steveston BC	10	XX		XX		XX	1	10	2

Matches

Match	White			Blue	Result	Time	Code
1	Ekaterina DANILKOV	1	2	Lola SHEARER	0 - 10	0:27	IPO
2	Lola SHEARER	2	1	Ekaterina DANILKOV	0 - 10	0:34	IPO
3	Ekaterina DANILKOV	1	2	Lola SHEARER	10 - 0	1:34	IPO

Results

Pos	Name
1	Ekaterina DANILKOV, Burnaby BC
2	Lola SHEARER, Steveston BC

U14 Women -40kg

Competitors

#	Name	Grade	Club	1	2	3	Wins	Pts	Pos
1	Nova ROTBART (38,00)	Orange	Burnaby BC	XX		5	1	5	2
2	Abigail SHEEHAN (38,40)	Green	Campbell River BC	5	XX	5	2	10	1
3	Anoushka SHARMA (37,00)	Orange	Steveston BC			XX	0	0	3

Matches

Match	White			Blue	Result	Time	Code
1	Nova ROTBART	1	2	Abigail SHEEHAN	0 - 5	3:00	WAZ
2	Nova ROTBART	1	3	Anoushka SHARMA	5 - 0	3:00	WAZ
3	Abigail SHEEHAN	2	3	Anoushka SHARMA	5 - 0	3:00	WAZ

Results

Pos	Name
1	Abigail SHEEHAN, Campbell River BC
2	Nova ROTBART, Burnaby BC

U14 Women -44kg

Competitors

#	Name	Grade	Club	1	2	3	Wins	Pts	Pos
1	Beata SCHENK (40,00)	Orange	Burnaby BC	XX	1		1	1	2
2	Kylee ESPARBES (41,00)	Orange/Green	Steveston BC		XX		0	0	3
3	Dakota SANZANA (41,00)	Orange/Green	Nanaimo BC	10	10	XX	2	20	1

Matches

Match	White			Blue	Result	Time	Code
1	Beata SCHENK	1	2	Kylee ESPARBES	1 - 0	3:00	YUS
2	Beata SCHENK	1	3	Dakota SANZANA	0 - 10	1:30	IPO
3	Kylee ESPARBES	2	3	Dakota SANZANA	0 - 10	0:26	IPO

Results

Pos	Name
1	Dakota SANZANA, Nanaimo BC
2	Beata SCHENK, Burnaby BC

U14 Women -52kg

Competitors

#	Name	Grade	Club	1	2	3	Wins	Pts	Pos
1	Alexandra KUCHER (47,00)	Orange/Green	Steveston BC	XX	10	10	2	20	1
2	Adelle LARDEN (51,00)	Orange	Steveston BC		XX		0	0	3
3	Maria LIAKOS (49,00)	Orange/Green	Steveston BC		10	XX	1	10	2

Matches

Match	White			Blue	Result	Time	Code
1	Alexandra KUCHER	1	2	Adelle LARDEN	10 - 0	2:19	IPO
2	Alexandra KUCHER	1	3	Maria LIAKOS	10 - 0	1:20	IPO
3	Adelle LARDEN	2	3	Maria LIAKOS	0 - 10	0:23	IPO

Results

Pos	Name
1	Alexandra KUCHER, Steveston BC
2	Maria LIAKOS, Steveston BC

U16 Men -38kg

Competitors

#	Name	Grade	Club	1	2	3	4	5	Wins	Pts	Pos
1	Peter VELONAS (34,00)	Green	Arashi BC	XX					0	0	5
2	Arron BOULDING (33,00)	Orange/Green	Nanaimo BC	10	XX		10	10	3	30	2
3	Eli GRANT (38,00)	Green	Kokushikai BC	10	10	XX	10	10	4	40	1
4	Andries VAN ZYL (37,00)	Green/Blue	Hart BC	10			XX	10	2	20	3
5	Ethan FRIZZELL (38,00)	Green/Blue	Hart BC	10				XX	1	10	4

Matches

Match	White	Blue	Result	Time	Code
1	Andries VAN ZYL	4 5 Ethan FRIZZELL	10 - 0	0:47	IPO
2	Peter VELONAS	1 2 Arron BOULDING	0 - 10	0:00	KIK
3	Eli GRANT	3 4 Andries VAN ZYL	10 - 0	0:25	IPO
4	Peter VELONAS	1 5 Ethan FRIZZELL	0 - 10	0:01	KIK
5	Arron BOULDING	2 3 Eli GRANT	0 - 10	0:42	IPO
6	Peter VELONAS	1 4 Andries VAN ZYL	0 - 10	0:00	KIK
7	Eli GRANT	3 5 Ethan FRIZZELL	10 - 0	1:24	IPO
8	Arron BOULDING	2 4 Andries VAN ZYL	10 - 0	0:17	IPO
9	Peter VELONAS	1 3 Eli GRANT	0 - 10	0:00	KIK
10	Arron BOULDING	2 5 Ethan FRIZZELL	10 - 0	0:48	IPO

Results

Pos	Name
1	Eli GRANT, Kokushikai BC
2	Arron BOULDING, Nanaimo BC
3	Andries VAN ZYL, Hart BC
4	Ethan FRIZZELL, Hart BC

U16 Men -42kg

Competitors A

#	Name	Grade	Club	1	2	3	Wins	Pts	Pos
1	Gabriel MCINTYRE (41,00)	Green	Kokushikai BC	XX		5	1	5	2
2	Isaiah GILL (39,00)	Green	Abbotsford BC	5	XX	10	2	15	1
3	Graeme HANKS (40,00)	Green	Aberdeen BC			XX	0	0	3

Matches A

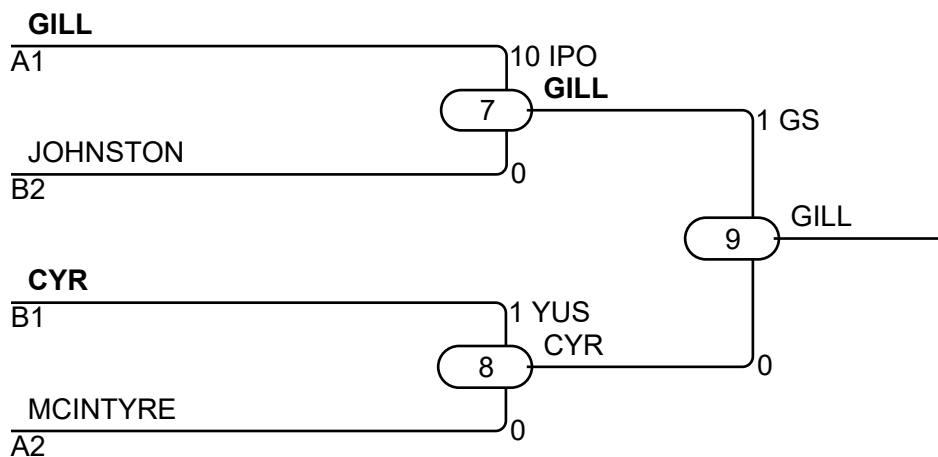
Match	White	Blue	Result	Time	Code
1	Gabriel MCINTYRE 1 2	Isaiah GILL	0 - 5	3:00	WAZ
3	Gabriel MCINTYRE 1 3	Graeme HANKS	5 - 0	3:00	WAZ
5	Isaiah GILL 2 3	Graeme HANKS	10 - 0	3:00	IPO

Competitors B

#	Name	Grade	Club	4	5	6	Wins	Pts	Pos
4	Spencer CYR (42,00)	Green	Abbotsford BC	XX	10	10	2	20	1
5	Benjamin HARCOTT (42,00)	Orange/Green	Kamloops BC		XX		0	0	3
6	Sam JOHNSTON (39,50)	Green	Nanaimo BC		5	XX	1	5	2

Matches B

Match	White	Blue	Result	Time	Code
2	Spencer CYR 4 5	Benjamin HARCOTT	10 - 0	0:51	IPO
4	Spencer CYR 4 6	Sam JOHNSTON	10 - 0	0:00	IPO
6	Benjamin HARCOTT 5 6	Sam JOHNSTON	0 - 5	3:00	WAZ



Results

Pos	Name
1	Isaiah GILL, Abbotsford BC
2	Spencer CYR, Abbotsford BC
3	Sam JOHNSTON, Nanaimo BC
3	Gabriel MCINTYRE, Kokushikai BC

U16 Men -46kg

Competitors A

#	Name	Grade	Club	1	2	3	Wins	Pts	Pos
1	Joshua DARMADI (43,00)	Green	Nanaimo BC	XX		10	1	10	2
2	Asher YOUNG (44,00)	Blue	Hart BC	5	XX	10	2	15	1
3	Andrei DUMITRACHE (46,00)	Orange	Abbotsford BC			XX	0	0	3

Matches A

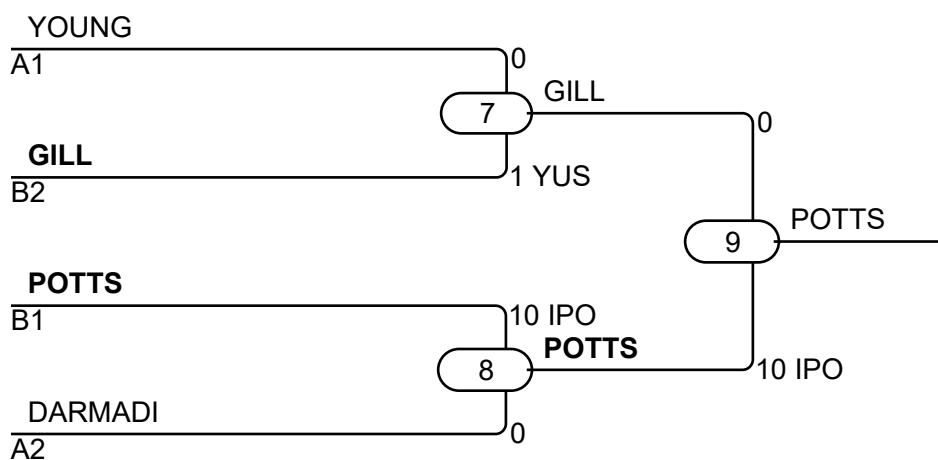
Match	White	Blue	Result	Time	Code
1	Joshua DARMADI 1 2	Asher YOUNG	0 - 5	3:00	WAZ
3	Joshua DARMADI 1 3	Andrei DUMITRACHE	10 - 0	0:39	IPO
5	Asher YOUNG 2 3	Andrei DUMITRACHE	10 - 0	0:28	IPO

Competitors B

#	Name	Grade	Club	4	5	6	Wins	Pts	Pos
4	Marcus POTTS (43,00)	Green	Shidokai BC	XX	10	5	2	15	1
5	Aidan KEYES (45,00)	Green	Police Junior BC		XX		0	0	3
6	Elijah GILL (45,00)	Green	Abbotsford BC		10	XX	1	10	2

Matches B

Match	White	Blue	Result	Time	Code
2	Marcus POTTS 4 5	Aidan KEYES	10 - 0	0:57	IPO
4	Marcus POTTS 4 6	Elijah GILL	5 - 0	3:00	WAZ
6	Aidan KEYES 5 6	Elijah GILL	0 - 10	2:37	IPO



Results

Pos	Name
1	Marcus POTTS, Shidokai BC
2	Elijah GILL, Abbotsford BC
3	Asher YOUNG, Hart BC
3	Joshua DARMADI, Nanaimo BC

U16 Men -50kg

Competitors A

#	Name	Grade	Club	1	2	3	4	Wins	Pts	Pos
1	Gabriel PATERSON (50,00)	Green	Hart BC	XX		5	10	2	15	2
2	Anthony TRAN (46,00)	Green/Blue	Zenyu USA	10	XX	10	1	3	21	1
3	Brayden SIMPSON (48,00)	Green	Abbotsford BC			XX		0	0	4
4	Dylan COMEAU (49,00)	Green	Abbotsford BC			10	XX	1	10	3

Matches A

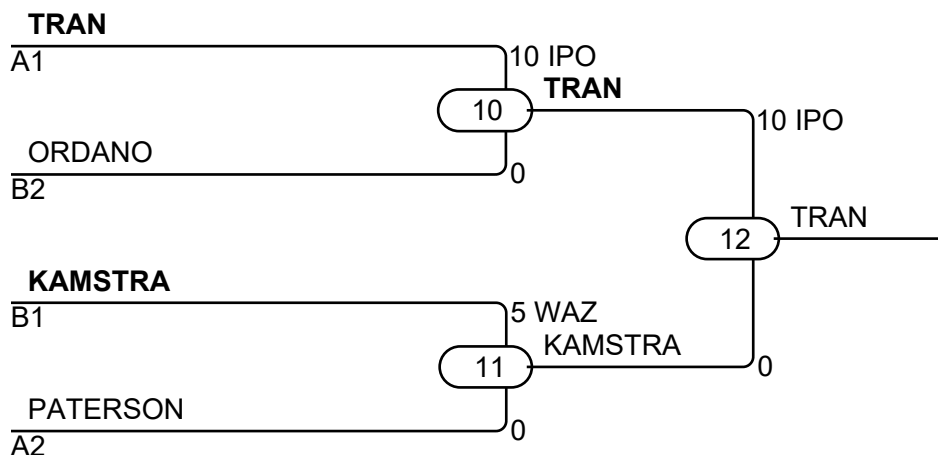
Match	White	Blue	Result	Time	Code
1	Gabriel PATERSON 1 2	Anthony TRAN	0 - 10	2:47	IPO
2	Brayden SIMPSON 3 4	Dylan COMEAU	0 - 10	1:37	IPO
4	Gabriel PATERSON 1 3	Brayden SIMPSON	5 - 0	3:00	WAZ
5	Anthony TRAN 2 4	Dylan COMEAU	1 - 0	0:38	GS
7	Gabriel PATERSON 1 4	Dylan COMEAU	10 - 0	0:47	IPO
8	Anthony TRAN 2 3	Brayden SIMPSON	10 - 0	1:46	IPO

Competitors B

#	Name	Grade	Club	5	6	7	Wins	Pts	Pos
5	Nicholas YOKOYAMA (48,00)	Orange/Green	Abbotsford BC	XX			0	0	3
6	Isaac KAMSTRA (50,00)	Green/Blue	Hart BC	10	XX	5	2	15	1
7	Alex ORDANO (48,90)	Green	Steveston BC	10		XX	1	10	2

Matches B

Match	White	Blue	Result	Time	Code
3	Nicholas YOKOYAMA 5 6	Isaac KAMSTRA	0 - 10	1:29	IPO
6	Nicholas YOKOYAMA 5 7	Alex ORDANO	0 - 10	3:00	IPO
9	Isaac KAMSTRA 6 7	Alex ORDANO	5 - 0	3:00	WAZ



Results

Pos	Name
1	Anthony TRAN, Zenyu USA
2	Isaac KAMSTRA, Hart BC
3	Alex ORDANO, Steveston BC
3	Gabriel PATERSON, Hart BC

U16 Men -55kg

Competitors A

#	Name	Grade	Club	1	2	3	Wins	Pts	Pos
1	Joshua KUYVENHOVEN (53,00)	Green	Kokushikai BC	XX	5	10	2	15	1
2	Martin WONG (55,00)	Orange/Green	Burnaby BC		XX	10	1	10	2
3	Aydin GREENWOOD (54,50)	Orange/Green	Port BC			XX	0	0	3

Matches A

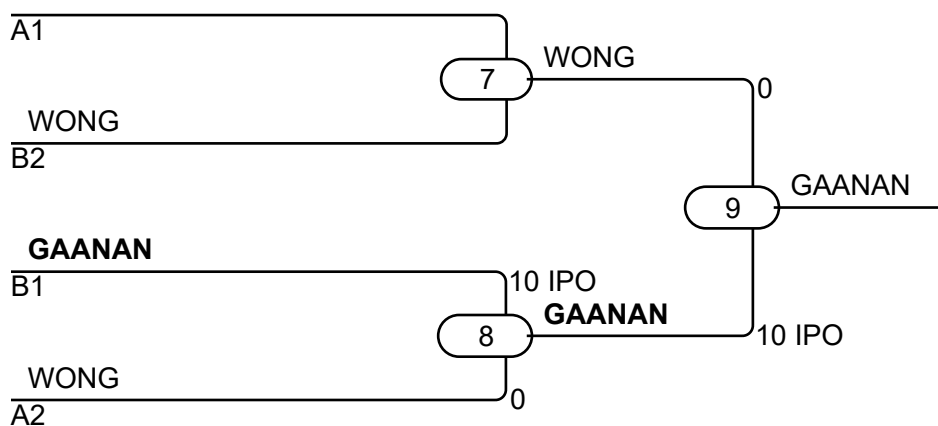
Match	White	Blue	Result	Time	Code
1	Joshua KUYVENHOVEN 1 2	Martin WONG	5 - 0	3:00	WAZ
3	Joshua KUYVENHOVEN 1 3	Aydin GREENWOOD	10 - 0	0:08	IPO
5	Martin WONG 2 3	Aydin GREENWOOD	10 - 0	0:19	IPO

Competitors B

#	Name	Grade	Club	4	5	6	Wins	Pts	Pos
4	Brendan WONG (53,00)	Green	Kokushikai BC	XX		10	1	10	2
5	Raphael GAANAN (54,00)	Green	Burnaby BC	10	XX	10	2	20	1
6	Bostyn MACDONALD (49,50)	Green	Nanaimo BC			XX	0	0	3

Matches B

Match	White	Blue	Result	Time	Code
2	Brendan WONG 4 5	Raphael GAANAN	0 - 10	0:54	IPO
4	Brendan WONG 4 6	Bostyn MACDONALD	10 - 0	0:00	KIK
6	Raphael GAANAN 5 6	Bostyn MACDONALD	10 - 0	0:00	KIK



Results

Pos	Name
1	Raphael GAANAN, Burnaby BC
2	Brendan WONG, Kokushikai BC
3	
3	Martin WONG, Burnaby BC

U16 Men -60kg

Competitors

#	Name	Grade	Club	1	2	3	Wins	Pts	Pos
1	Kai KOMNENOVIC (58,30)	Green	Steveston BC	XX			0	0	3
2	Nathaneal HAYASHIDA (60,00)	Green	Seattle USA	5	XX		1	5	2
3	Hiromu YAMAGUCHI (60,00)	Green	Police Junior BC	10	1	XX	2	11	1

Matches

Match	White			Blue	Result	Time	Code
1	Kai KOMNENOVIC	1	2	Nathaneal HAYASHIDA	0 - 5	0:00	WAZ
2	Kai KOMNENOVIC	1	3	Hiromu YAMAGUCHI	0 - 10	1:10	IPO
3	Nathaneal HAYASHIDA	2	3	Hiromu YAMAGUCHI	0 - 1	6:34	GS

Results

Pos	Name
1	Hiromu YAMAGUCHI, Police Junior BC
2	Nathaneal HAYASHIDA, Seattle USA

U16 Men -66kg

Competitors

#	Name	Grade	Club	1	2	3	4	Wins	Pts	Pos
1	Alex MICHALUK (63,00)	Orange	Shidokai	XX		10		1	10	3
2	Zachary ROBSON (63,00)	Green	Kokushikai BC	10	XX	10	5	3	25	1
3	Fergus GIRVIN (59,50)	Green	Campbell River BC			XX		0	0	4
4	Noah VEILLETTE (63,00)	Blue	Steveston BC	10		10	XX	2	20	2

Matches

Match	White			Blue	Result	Time	Code
1	Alex MICHALUK	1	2	Zachary ROBSON	0 - 10	2:53	IPO
2	Fergus GIRVIN	3	4	Noah VEILLETTE	0 - 10	0:27	IPO
3	Alex MICHALUK	1	3	Fergus GIRVIN	10 - 0	2:17	IPO
4	Zachary ROBSON	2	4	Noah VEILLETTE	5 - 0	3:00	WAZ
5	Alex MICHALUK	1	4	Noah VEILLETTE	0 - 10	0:14	IPO
6	Zachary ROBSON	2	3	Fergus GIRVIN	10 - 0	0:19	IPO

Results

Pos	Name
1	Zachary ROBSON, Kokushikai BC
2	Noah VEILLETTE, Steveston BC
3	Alex MICHALUK, Shidokai

U16 Men (Novice) -49kg

Competitors

#	Name	Grade	Club	1	2	1	2	1	2	Wins	Pts	Pos
1	James SMURTHWAITE (49,00)	Orange	Campbell River BC	XX		XX		XX		0	0	2
2	Finn PALLER (46,30)	Orange	Abbotsford BC	10	XX	10	XX		XX	2	20	1

Matches

Match	White			Blue	Result	Time	Code
1	James SMURTHWAITE	1	2	Finn PALLER	0 - 10	0:52	IPO
2	Finn PALLER	2	1	James SMURTHWAITE	10 - 0	2:36	IPO
3	James SMURTHWAITE	1	2	Finn PALLER			

Results

Pos	Name
1	Finn PALLER, Abbotsford BC

U16 Men (Novice) -56kg

Competitors

#	Name	Grade	Club	1	2	1	2	1	2	Wins	Pts	Pos
1	Brayden BARLOW (55,00)	Yellow	Abbotsford BC	XX		XX		XX		0	0	2
2	Jude DEVEREUX (56,80)	Yellow	Delta Kaigan BC	5	XX	10	XX		XX	2	15	1

Matches

Match	White		Blue	Result	Time	Code	
1	Brayden BARLOW	1	2	Jude DEVEREUX	0 - 5	3:00	WAZ
2	Jude DEVEREUX	2	1	Brayden BARLOW	10 - 0	0:05	IPO
3	Brayden BARLOW	1	2	Jude DEVEREUX			

Results

Pos	Name
1	Jude DEVEREUX, Delta Kaigan BC

U16 Men (Novice) -57kg

Competitors

#	Name	Grade	Club	1	2	3	Wins	Pts	Pos
1	Jude DEVEREUX (56,80)	Yellow	Delta Kaigan BC	XX	10	10	2	20	1
2	Kobe KO (54,00)	Orange	Steveston BC		XX		0	0	3
3	Brayden BARLOW (55,00)	Yellow	Abbotsford BC		10	XX	1	10	2

Matches

Match	White			Blue	Result	Time	Code
1	Jude DEVEREUX	1	2	Kobe KO	10 - 0	0:01	FUS
2	Jude DEVEREUX	1	3	Brayden BARLOW	10 - 0	0:05	IPO
3	Kobe KO	2	3	Brayden BARLOW	0 - 10	0:00	KIK

Results

Pos	Name
1	Jude DEVEREUX, Delta Kaigan BC
2	Brayden BARLOW, Abbotsford BC

U16 Men +73kg

Competitors

#	Name	Grade	Club	1	2	1	2	1	2	Wins	Pts	Pos
1	Alex MCCALLUM (77,00)	Green	Victoria BC	XX		XX	10	XX		1	10	2
2	Pierce JING (75,00)	Green	Steveston BC	10	XX		XX	5	XX	2	15	1

Matches

Match	White			Blue	Result	Time	Code
1	Alex MCCALLUM	1	2	Pierce JING	0 - 10	0:18	IPO
2	Pierce JING	2	1	Alex MCCALLUM	0 - 10	0:49	IPO
3	Alex MCCALLUM	1	2	Pierce JING	0 - 5	3:00	WAZ

Results

Pos	Name
1	Pierce JING, Steveston BC
2	Alex MCCALLUM, Victoria BC

U16 Women -48kg

Competitors

#	Name	Grade	Club	1	2	3	4	5	Wins	Pts	Pos
1	Hailey KO (47,30)	Green	Burnaby BC	XX	1	10			2	11	3
2	Ayumi MORITA (47,00)	Green	Police Junior BC		XX	10			1	10	4
3	Olivia SHEEHAN (44,10)	Blue	Campbell River BC			XX			0	0	5
4	Danilkov KLAVDIA (46,00)	Green	Burnaby BC	10	5	10	XX	10	4	35	1
5	Rakiia LOLIEVA (44,00)	Green	Burnaby BC	10	10	10		XX	3	30	2

Matches

Match	White			Blue	Result	Time	Code
1	Danilkov KLAVDIA	4	5	Rakiia LOLIEVA	10 - 0	1:14	IPO
2	Hailey KO	1	2	Ayumi MORITA	1 - 0	0:22	GS
3	Olivia SHEEHAN	3	4	Danilkov KLAVDIA	0 - 10	0:00	KIK
4	Hailey KO	1	5	Rakiia LOLIEVA	0 - 10	1:01	IPO
5	Ayumi MORITA	2	3	Olivia SHEEHAN	10 - 0	0:00	KIK
6	Hailey KO	1	4	Danilkov KLAVDIA	0 - 10	1:18	IPO
7	Olivia SHEEHAN	3	5	Rakiia LOLIEVA	0 - 10	0:00	KIK
8	Ayumi MORITA	2	4	Danilkov KLAVDIA	0 - 5	3:00	WAZ
9	Hailey KO	1	3	Olivia SHEEHAN	10 - 0	0:00	KIK
10	Ayumi MORITA	2	5	Rakiia LOLIEVA	0 - 10	1:33	IPO

Results

Pos	Name
1	Danilkov KLAVDIA, Burnaby BC
2	Rakiia LOLIEVA, Burnaby BC
3	Hailey KO, Burnaby BC
4	Ayumi MORITA, Police Junior BC

U16 Women -52kg

Competitors

#	Name	Grade	Club	1	2	3	Wins	Pts	Pos
1	Marlin MARSTON (51,00)	Green	Nanaimo BC	XX	10	10	2	20	1
2	Isabella GREENE (49,70)	Green	Nanaimo BC		XX	10	1	10	2
3	Elizabeth SIMMONS (52,00)	Green/Blue	Hart BC			XX	0	0	3

Matches

Match	White			Blue	Result	Time	Code
1	Marlin MARSTON	1	2	Isabella GREENE	10 - 0	1:29	IPO
2	Marlin MARSTON	1	3	Elizabeth SIMMONS	10 - 0	2:01	IPO
3	Isabella GREENE	2	3	Elizabeth SIMMONS	10 - 0	0:30	IPO

Results

Pos	Name
1	Marlin MARSTON, Nanaimo BC
2	Isabella GREENE, Nanaimo BC

U16 Women -57kg

Competitors

#	Name	Grade	Club	1	2	3	4	5	Wins	Pts	Pos
1	Makayla SANZANA (57,00)	Green	Nanaimo BC	XX			10	10	2	20	3
2	Zoe LEE (56,00)	Green	Westminster BC	10	XX				1	10	5
3	Loveena MCCORKELL (55,40)	Green	Mile Zero BC	5	5	XX	10		3	20	2
4	Tula MOORE (56,00)	Green/Blue	Hart BC		10		XX		1	10	4
5	Nyota MORISHO (55,00)	Blue	Victoria BC		10	10	10	XX	3	30	1

Matches

Match	White			Blue	Result	Time	Code
1	Tula MOORE	4	5	Nyota MORISHO	0 - 10	0:09	IPO
2	Makayla SANZANA	1	2	Zoe LEE	0 - 10	0:41	IPO
3	Loveena MCCORKELL	3	4	Tula MOORE	10 - 0	0:43	IPO
4	Makayla SANZANA	1	5	Nyota MORISHO	10 - 0	2:58	IPO
5	Zoe LEE	2	3	Loveena MCCORKELL	0 - 5	3:00	WAZ
6	Makayla SANZANA	1	4	Tula MOORE	10 - 0	1:12	IPO
7	Loveena MCCORKELL	3	5	Nyota MORISHO	0 - 10	3:00	IPO
8	Zoe LEE	2	4	Tula MOORE	0 - 10	0:00	IPO
9	Makayla SANZANA	1	3	Loveena MCCORKELL	0 - 5	3:00	WAZ
10	Zoe LEE	2	5	Nyota MORISHO	0 - 10	0:55	IPO

Results

Pos	Name
1	Nyota MORISHO, Victoria BC
2	Loveena MCCORKELL, Mile Zero BC
3	Makayla SANZANA, Nanaimo BC
4	Tula MOORE, Hart BC
5	Zoe LEE, Westminster BC

U16 Women -63kg

Competitors

#	Name	Grade	Club	1	2	3	4	Wins	Pts	Pos
1	Mira CALDER (63,00)	Green	Kokushikai BC	XX	5	10	10	3	25	1
2	Tianna LUND (59,00)	Green	Campbell River BC		XX	5	10	2	15	2
3	Jade LOWENSTEIN (63,00)	Green	Penticton BC			XX	10	1	10	3
4	Estelle MORLAND (58,90)	Green	Nanaimo BC				XX	0	0	4

Matches

Match	White	Blue	Result	Time	Code
1	Mira CALDER	1 2 Tianna LUND	5 - 0	3:00	WAZ
2	Jade LOWENSTEIN	3 4 Estelle MORLAND	10 - 0	0:17	IPO
3	Mira CALDER	1 3 Jade LOWENSTEIN	10 - 0	1:56	IPO
4	Tianna LUND	2 4 Estelle MORLAND	10 - 0	1:41	IPO
5	Mira CALDER	1 4 Estelle MORLAND	10 - 0	0:34	IPO
6	Tianna LUND	2 3 Jade LOWENSTEIN	5 - 0	3:00	WAZ

Results

Pos	Name
1	Mira CALDER, Kokushikai BC
2	Tianna LUND, Campbell River BC
3	Jade LOWENSTEIN, Penticton BC

U16 Women (Novice) -46kg

Competitors

#	Name	Grade	Club	1	2	1	2	1	2	Wins	Pts	Pos
1	Janelle GUDJONSON (46,00)	Orange	Victoria BC	XX	10	XX	10	XX		2	20	1
2	Clodagh DEVEREUX (42,00)	Yellow	Delta Kaigan BC		XX		XX		XX	0	0	2

Matches

Match	White			Blue	Result	Time	Code
1	Janelle GUDJONSON	1	2	Clodagh DEVEREUX	10 - 0	0:15	IPO
2	Clodagh DEVEREUX	2	1	Janelle GUDJONSON	0 - 10	0:27	IPO
3	Janelle GUDJONSON	1	2	Clodagh DEVEREUX			

Results

Pos	Name
1	Janelle GUDJONSON, Victoria BC

U16 Women (Novice) -55kg

Competitors

#	Name	Grade	Club	1	2	1	2	1	2	Wins	Pts	Pos
1	Jasmine AL-ASHOOR (49,00)	Orange	Arashi BC	XX	10	XX	10	XX	10	3	30	1
2	Molly GIRVIN (54,60)	Orange	Campbell River BC		XX		XX		XX	0	0	2

Matches

Match	White			Blue	Result	Time	Code
1	Jasmine AL-ASHOOR	1	2	Molly GIRVIN	10 - 0	0:21	IPO
2	Molly GIRVIN	2	1	Jasmine AL-ASHOOR	0 - 10	0:00	IPO
3	Jasmine AL-ASHOOR	1	2	Molly GIRVIN	10 - 0	0:00	IPO

Results

Pos	Name
1	Jasmine AL-ASHOOR, Arashi BC

U16 Women (Novice) -56kg

Competitors

#	Name	Grade	Club	1	2	3	Wins	Pts	Pos
1	Tara GOLONKA (56,00)	Orange	Victoria BC	XX			0	0	3
2	Jasmine AL-ASHOOR (49,00)	Orange	Arashi BC	10	XX	10	2	20	1
3	Molly GIRVIN (54,60)	Orange	Campbell River BC	10		XX	1	10	2

Matches

Match	White			Blue	Result	Time	Code
1	Tara GOLONKA	1	2	Jasmine AL-ASHOOR	0 - 10	0:01	FUS
2	Tara GOLONKA	1	3	Molly GIRVIN	0 - 10	0:00	KIK
3	Jasmine AL-ASHOOR	2	3	Molly GIRVIN	10 - 0	0:51	IPO

Results

Pos	Name
1	Jasmine AL-ASHOOR, Arashi BC
2	Molly GIRVIN, Campbell River BC

U16 Women +70kg

Competitors

#	Name	Grade	Club	1	2	1	2	1	2	Wins	Pts	Pos
1	Dakota WEBB (73,00)	Orange	Kokushikai BC	XX		XX		XX		0	0	2
2	Kaylin AGASSIZ (66,00)	Green	Abbotsford BC	10	XX	10	XX		XX	2	20	1

Matches

Match	White			Blue	Result	Time	Code
1	Dakota WEBB	1	2	Kaylin AGASSIZ	0 - 10	3:00	IPO
2	Kaylin AGASSIZ	2	1	Dakota WEBB	10 - 0	0:33	IPO
3	Dakota WEBB	1	2	Kaylin AGASSIZ			

Results

Pos	Name
1	Kaylin AGASSIZ, Abbotsford BC

U18 Men -46kg

Competitors

#	Name	Grade	Club	1	2	3	4	5	6	Wins	Pts	Pos
1	Jacob LOWE (41,00)	Green	Victoria BC	XX						0	0	6
2	Asher YOUNG (44,00)	Blue	Hart BC	10	XX		10	10	10	4	40	2
3	Maximus JOE (46,00)	Blue	Burnaby BC	10	10	XX	10	10	5	5	45	1
4	Joshua DARMADI (42,00)	Green	Nanaimo BC	10			XX			1	10	5
5	Aidan KEYES (45,00)	Green	Police Junior BC	10			10	XX	10	3	30	3
6	Marcus POTTS (43,00)	Green	Shidokai BC	10			10		XX	2	20	4

Matches

Match	White	Blue	Result	Time	Code
1	Jacob LOWE	1 2 Asher YOUNG	0 - 10	1:53	IPO
2	Maximus JOE	3 5 Aidan KEYES	10 - 0	1:10	IPO
3	Asher YOUNG	2 4 Joshua DARMADI	10 - 0	1:52	IPO
4	Jacob LOWE	1 6 Marcus POTTS	0 - 10	3:38	IPO
5	Joshua DARMADI	4 5 Aidan KEYES	0 - 10	3:17	IPO
6	Asher YOUNG	2 3 Maximus JOE	0 - 10	1:24	IPO
7	Joshua DARMADI	4 6 Marcus POTTS	0 - 10	1:45	IPO
8	Asher YOUNG	2 5 Aidan KEYES	10 - 0	3:31	HAN
9	Maximus JOE	3 4 Joshua DARMADI	10 - 0	0:20	IPO
10	Jacob LOWE	1 5 Aidan KEYES	0 - 10	3:57	IPO
11	Maximus JOE	3 6 Marcus POTTS	5 - 0	4:00	WAZ
12	Jacob LOWE	1 4 Joshua DARMADI	0 - 10	0:00	KIK
13	Aidan KEYES	5 6 Marcus POTTS	10 - 0	1:19	IPO
14	Jacob LOWE	1 3 Maximus JOE	0 - 10	0:00	KIK
15	Asher YOUNG	2 6 Marcus POTTS	10 - 0	0:01	KIK

Results

Pos	Name
1	Maximus JOE, Burnaby BC
2	Asher YOUNG, Hart BC
3	Aidan KEYES, Police Junior BC
4	Marcus POTTS, Shidokai BC
5	Joshua DARMADI, Nanaimo BC

U18 Men -50kg

Competitors

#	Name	Grade	Club	1	2	3	Wins	Pts	Pos
1	Ioan FRIZZELL (50,00)	Blue/Brown	Hart BC	XX	10		1	10	2
2	Gabriel PATERSON (50,00)	Green	Hart BC		XX		0	0	3
3	Isaac KAMSTRA (50,00)	Green/Blue	Hart BC	10	10	XX	2	20	1

Matches

Match	White			Blue	Result	Time	Code
1	Ioan FRIZZELL	1	2	Gabriel PATERSON	10 - 0	0:40	IPO
2	Ioan FRIZZELL	1	3	Isaac KAMSTRA	0 - 10	3:47	IPO
3	Gabriel PATERSON	2	3	Isaac KAMSTRA	0 - 10	0:29	IPO

Results

Pos	Name
1	Isaac KAMSTRA, Hart BC
2	Ioan FRIZZELL, Hart BC

U18 Men -55kg

Competitors

#	Name	Grade	Club	1	2	3	Wins	Pts	Pos
1	Caine MCCABE (55,00)	Blue	Kelowna BC	XX		10	1	10	2
2	Kaito YAMAWAKI (55,00)	Green	Steveston BC	10	XX		1	10	1
3	Joshua KUYVENHOVEN (53,00)	Green	Kokushikai BC		1	XX	1	1	3

Matches

Match	White		Blue	Result	Time	Code
1	Caine MCCABE	1	2	Kaito YAMAWAKI	0 - 10	3:54 HAN
2	Caine MCCABE	1	3	Joshua KUYVENHOVEN	10 - 0	0:00 KIK
3	Kaito YAMAWAKI	2	3	Joshua KUYVENHOVEN	0 - 1	0:00 KIK

Results

Pos	Name
1	Kaito YAMAWAKI, Steveston BC
2	Caine MCCABE, Kelowna BC
3	Joshua KUYVENHOVEN, Kokushikai BC

U18 Men -55kg Redraw

Competitors

#	Name	Grade	Club	1	2	1	2	1	2	Wins	Pts	Pos
1	Caine MCCABE (55,00)	Blue	Kelowna BC	XX		XX	10	XX	10	2	20	1
2	Kaito YAMAWAKI (55,00)	Green	Steveston BC	10	XX		XX		XX	1	10	2

Matches

Match	White			Blue	Result	Time	Code
1	Caine MCCABE	1	2	Kaito YAMAWAKI	0 - 10	0:00	IPO
2	Kaito YAMAWAKI	2	1	Caine MCCABE	0 - 10	0:00	IPO
3	Caine MCCABE	1	2	Kaito YAMAWAKI	10 - 0	0:00	IPO

Results

Pos	Name
1	Caine MCCABE, Kelowna BC
2	Kaito YAMAWAKI, Steveston BC

U18 Men -60kg

Competitors

#	Name	Grade	Club	1	2	3	4	Wins	Pts	Pos
1	Ben LEATHERDALE (60,00)	Blue	Kelowna BC	XX	10		10	2	20	1
2	Billy Gubbins (57,00)	Blue	Victoria BC		XX	10	10	2	20	2
3	Jake GRANT (58,00)	Green	Kokushikai BC	5		XX	5	2	10	3
4	Andrey PONOMAREV (58,00)	Green	PoCo BC				XX	0	0	4

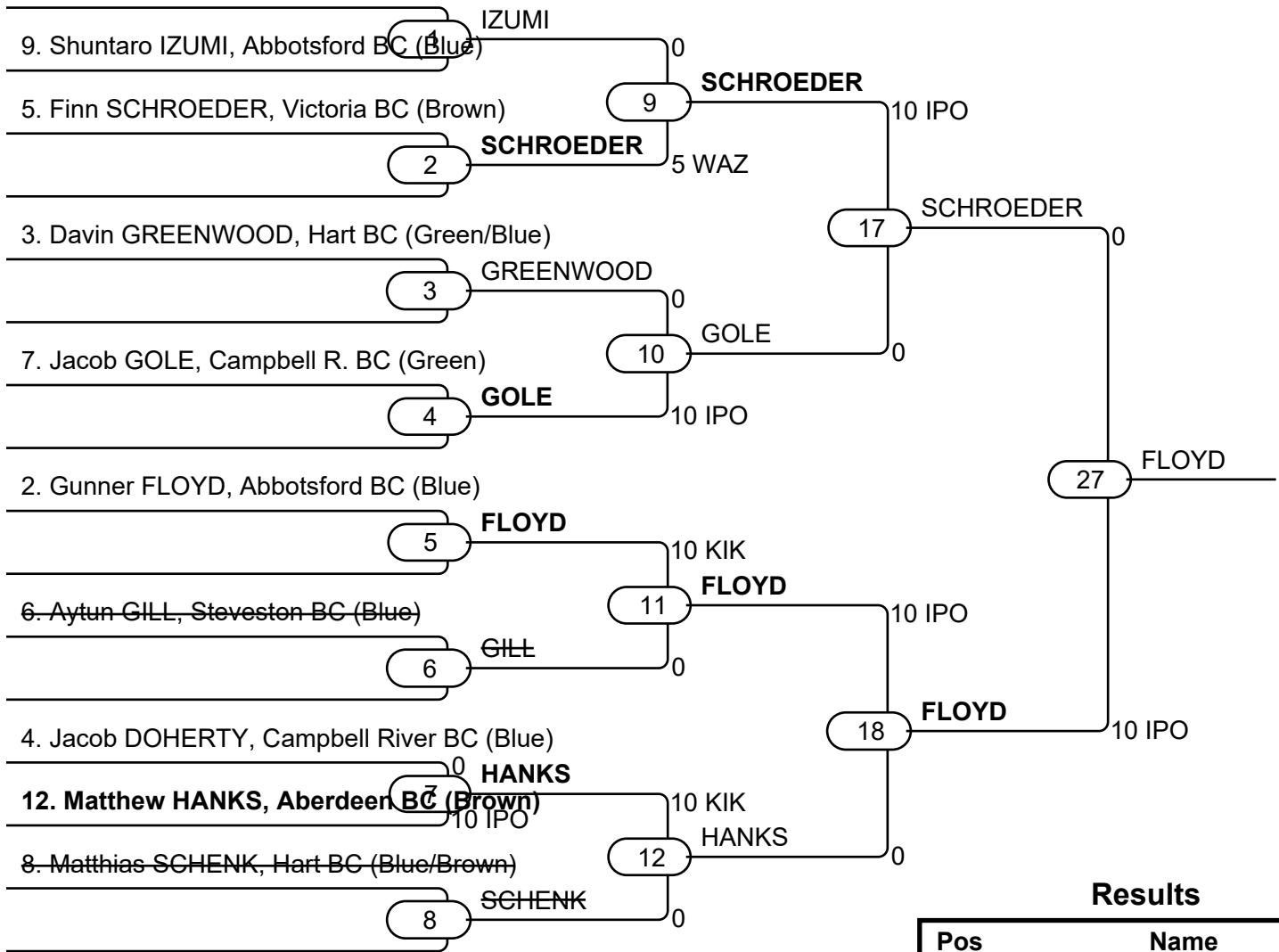
Matches

Match	White			Blue	Result	Time	Code
1	Ben LEATHERDALE	1	2	Billy Gubbins	10 - 0	0:01	FUS
2	Jake GRANT	3	4	Andrey PONOMAREV	5 - 0	4:00	WAZ
3	Ben LEATHERDALE	1	3	Jake GRANT	0 - 5	4:00	WAZ
4	Billy Gubbins	2	4	Andrey PONOMAREV	10 - 0	1:20	IPO
5	Ben LEATHERDALE	1	4	Andrey PONOMAREV	10 - 0	1:51	IPO
6	Billy Gubbins	2	3	Jake GRANT	10 - 0	0:59	IPO

Results

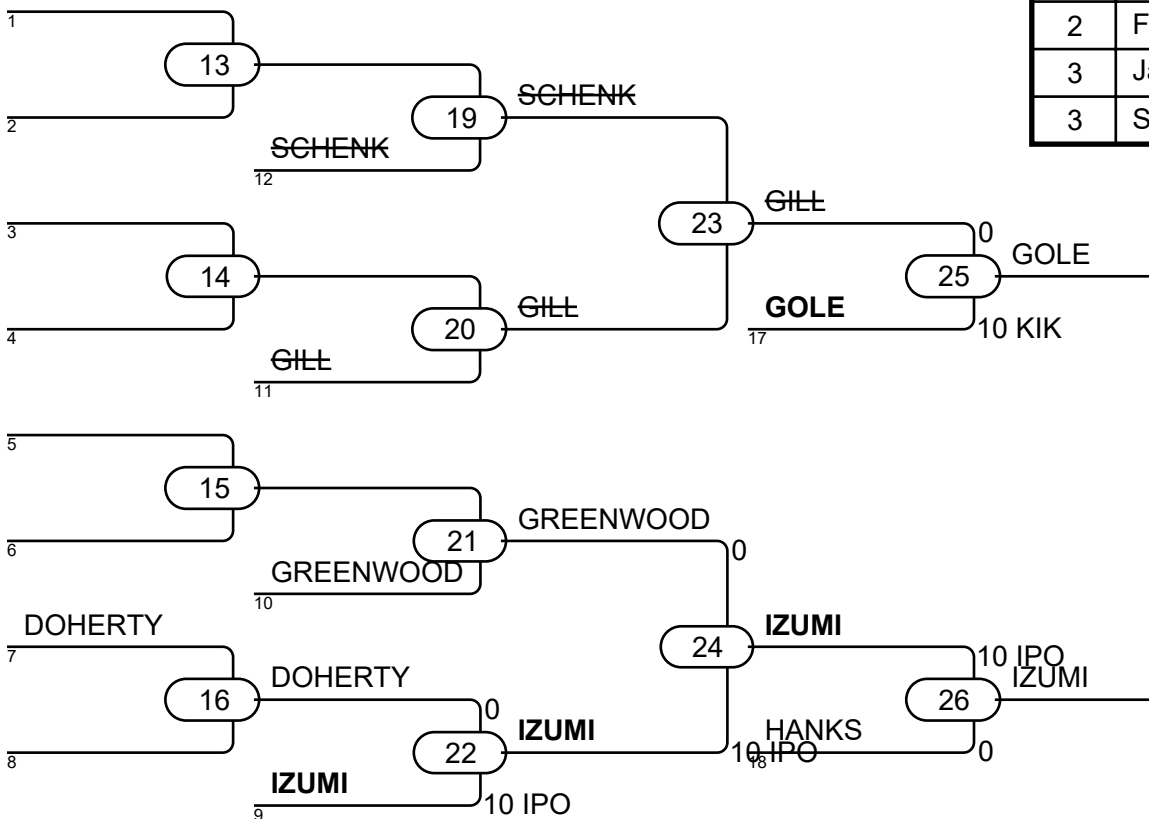
Pos	Name
1	Ben LEATHERDALE, Kelowna BC
2	Billy Gubbins, Victoria BC
3	Jake GRANT, Kokushikai BC

U18 Men -66kg



Results

Pos	Name
1	Gunner FLOYD, Abbotsford BC
2	Finn SCHROEDER, Victoria BC
3	Jacob GOLE, Campbell R. BC
3	Shuntaro IZUMI, Abbotsford BC



U18 Men -73kg

Competitors

#	Name	Grade	Club	1	2	3	4	5	Wins	Pts	Pos
1	Jaden GAUW (72,00)	Green	Burnaby BC	XX	10	10	10	10	4	40	1
2	Dryden POLLON (72,00)	Green	Kamloops BC		XX		10	10	2	20	3
3	Carter VEENENDAAL (73,00)	Blue	Abbotsford BC		10	XX	10	10	3	30	2
4	Dylan ORDANO (69,00)	Blue	Steveston BC				XX	10	1	10	4
5	Cameron HONG TAI (68,00)	Green	Nakashima BC					XX	0	0	5

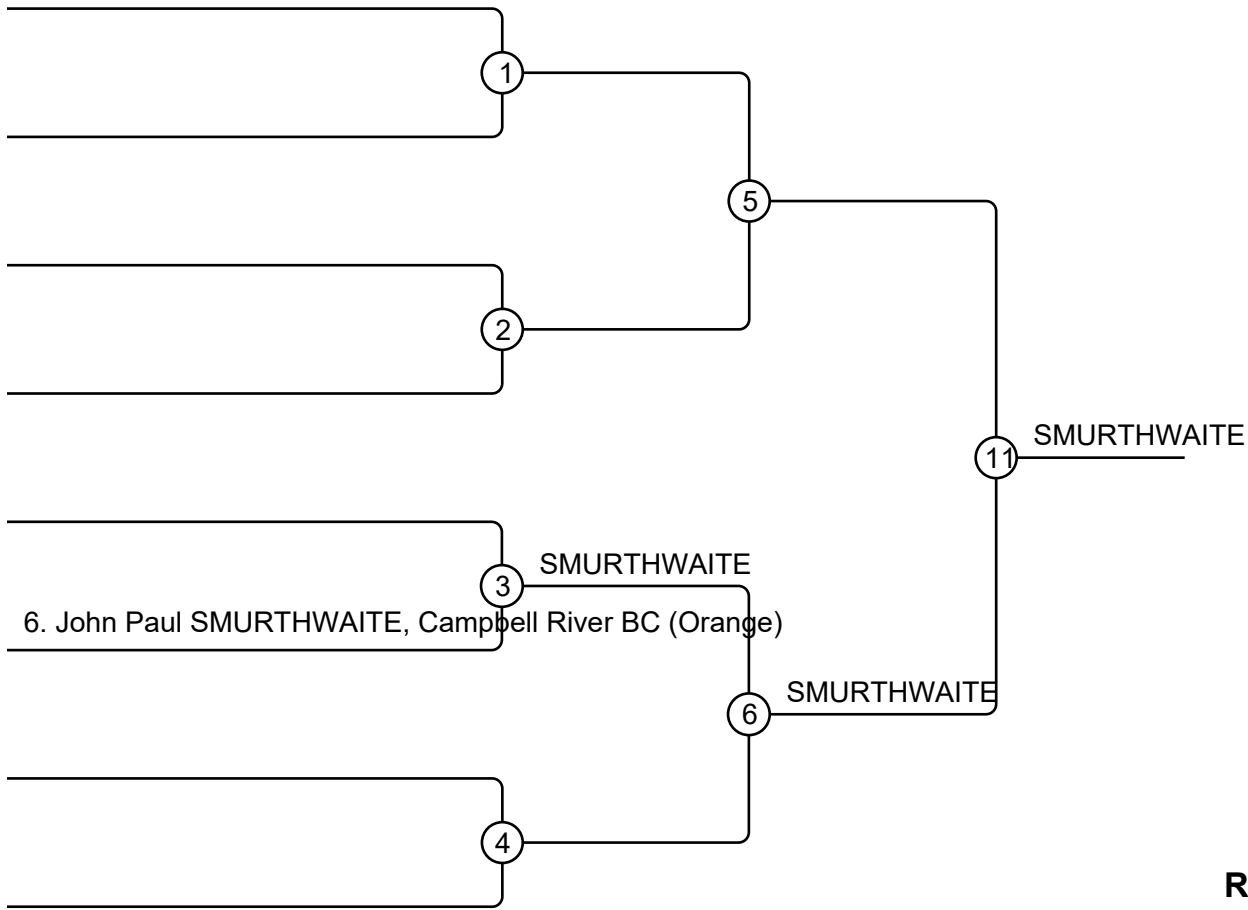
Matches

Match	White	Blue	Result	Time	Code
1	Dylan ORDANO	4 5 Cameron HONG TAI	10 - 0	1:28	IPO
2	Jaden GAUW	1 2 Dryden POLLON	10 - 0	0:37	IPO
3	Carter VEENENDAAL	3 4 Dylan ORDANO	10 - 0	0:51	IPO
4	Jaden GAUW	1 5 Cameron HONG TAI	10 - 0	0:06	IPO
5	Dryden POLLON	2 3 Carter VEENENDAAL	0 - 10	1:02	IPO
6	Jaden GAUW	1 4 Dylan ORDANO	10 - 0	0:09	IPO
7	Carter VEENENDAAL	3 5 Cameron HONG TAI	10 - 0	0:42	IPO
8	Dryden POLLON	2 4 Dylan ORDANO	10 - 0	1:55	IPO
9	Jaden GAUW	1 3 Carter VEENENDAAL	10 - 0	1:53	IPO
10	Dryden POLLON	2 5 Cameron HONG TAI	10 - 0	3:07	IPO

Results

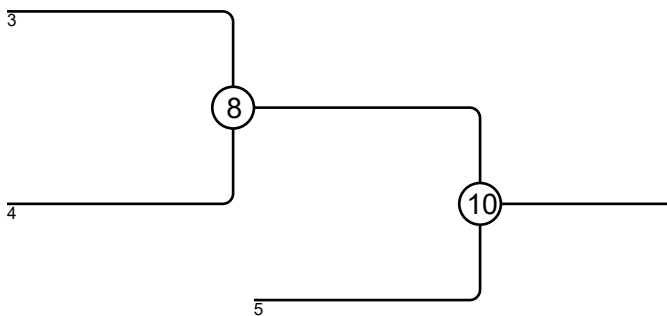
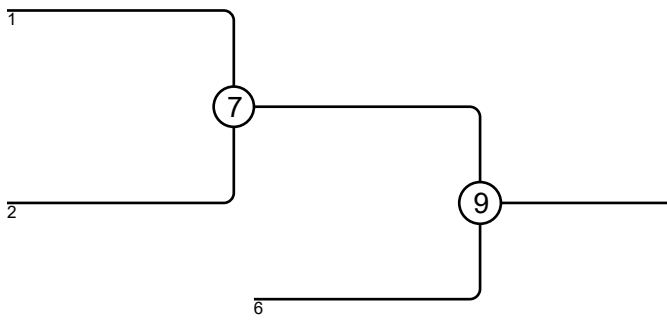
Pos	Name
1	Jaden GAUW, Burnaby BC
2	Carter VEENENDAAL, Abbotsford BC
3	Dryden POLLON, Kamloops BC
4	Dylan ORDANO, Steveston BC

U18 Men (Novice) -63kg



Results

Pos	Name
1	John Paul SMURTHWAITE, Campbell River BC (Orange)
2	
3	
3	
5	
5	
7	
7	



U18 Women -48kg

Competitors

#	Name	Grade	Club	1	2	3	4	Wins	Pts	Pos
1	Hailey KO (47,30)	Green	Burnaby BC	XX				0	0	4
2	Rakiia LOLIEVA (44,00)	Green	Burnaby BC	10	XX		10	2	20	1
3	Kimiko KAMSTRA (48,00)	Blue/Brown	Hart BC	5	10	XX		2	15	2
4	Danilkov KLAVDIA (46,00)	Green	Burnaby BC	10		1	XX	2	11	3

Matches

Match	White			Blue	Result	Time	Code
1	Hailey KO	1	2	Rakiia LOLIEVA	0 - 10	1:31	IPO
2	Kimiko KAMSTRA	3	4	Danilkov KLAVDIA	0 - 1	4:13	GS
3	Hailey KO	1	3	Kimiko KAMSTRA	0 - 5	4:00	WAZ
4	Rakiia LOLIEVA	2	4	Danilkov KLAVDIA	10 - 0	2:36	IPO
5	Hailey KO	1	4	Danilkov KLAVDIA	0 - 10	1:06	IPO
6	Rakiia LOLIEVA	2	3	Kimiko KAMSTRA	0 - 10	2:12	IPO

Results

Pos	Name
1	Rakiia LOLIEVA, Burnaby BC
2	Kimiko KAMSTRA, Hart BC
3	Danilkov KLAVDIA, Burnaby BC

U18 Women -52kg

Competitors

#	Name	Grade	Club	1	2	3	Wins	Pts	Pos
1	Isabella GREENE (49,70)	Green	Nanaimo BC	XX		10	1	10	2
2	Marlin MARSTON (51,00)	Green	Nanaimo BC	1	XX	10	2	11	1
3	Elizabeth SIMMONS (52,00)	Green/Blue	Hart BC			XX	0	0	3

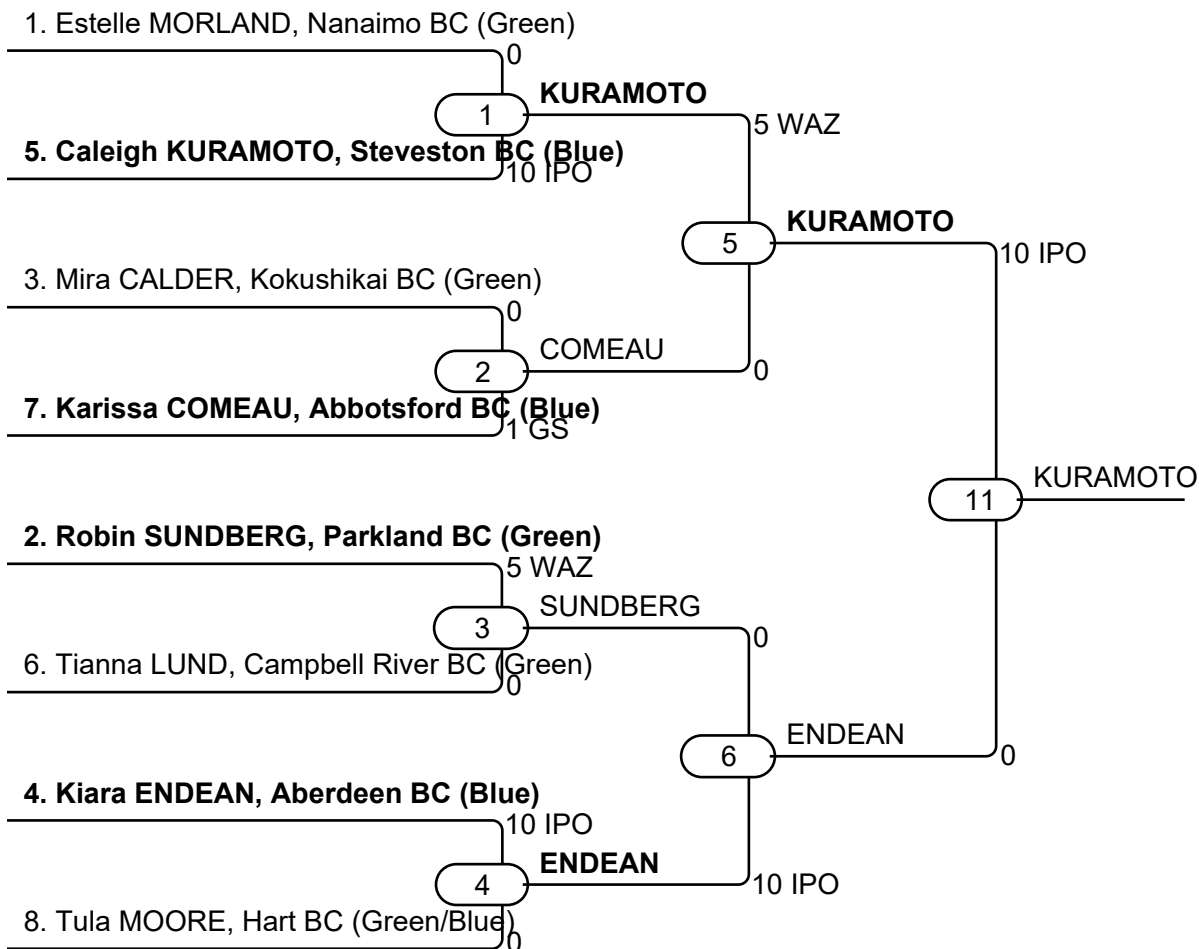
Matches

Match	White		Blue		Result	Time	Code
1	Isabella GREENE	1 2	Marlin MARSTON		0 - 1	1:17	GS
2	Isabella GREENE	1 3	Elizabeth SIMMONS		10 - 0	1:01	IPO
3	Marlin MARSTON	2 3	Elizabeth SIMMONS		10 - 0	0:56	IPO

Results

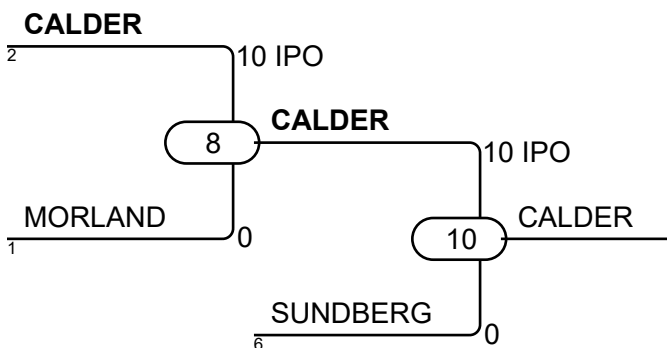
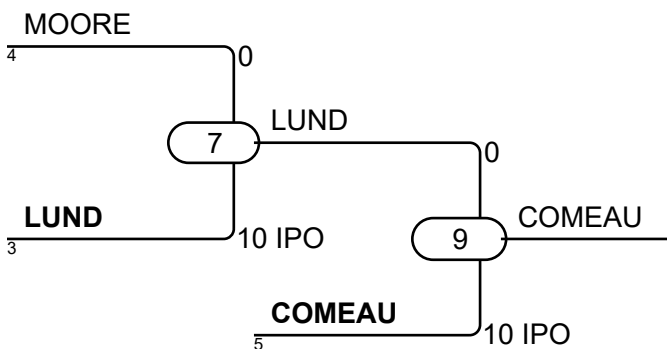
Pos	Name
1	Marlin MARSTON, Nanaimo BC
2	Isabella GREENE, Nanaimo BC

U18 Women -63kg



Results

Pos	Name
1	Caleigh KURAMOTO, Steveston BC
2	Kiara ENDEAN, Aberdeen BC
3	Karissa COMEAU, Abbotsford BC
3	Mira CALDER, Kokushikai BC



U21 Men -55kg

Competitors

#	Name	Grade	Club	1	2	3	4	5	Wins	Pts	Pos
1	Ioan FRIZZELL (55,00)	Blue/Brown	Hart BC	XX					0	0	5
2	Kayen TAN (0,00)	Green/Blue	Zenyu USA	10	XX			10	2	20	3
3	Vincent NINALGA (55,00)	Brown	Arashi BC	10	10	XX	10	10	4	40	1
4	Caine MCCABE (55,00)	Blue	Kelowna BC	10	10		XX	10	3	30	2
5	Richard CHEON (52,00)	Green	Burnaby BC					XX	0	0	4

Matches

Match	White			Blue	Result	Time	Code
1	Caine MCCABE	4	5	Richard CHEON	10 - 0	0:00	KIK
2	Ioan FRIZZELL	1	2	Kayen TAN	0 - 10	0:00	KIK
3	Vincent NINALGA	3	4	Caine MCCABE	10 - 0	0:37	IPO
4	Ioan FRIZZELL	1	5	Richard CHEON			
5	Kayen TAN	2	3	Vincent NINALGA	0 - 10	0:44	IPO
6	Ioan FRIZZELL	1	4	Caine MCCABE	0 - 10	0:00	KIK
7	Vincent NINALGA	3	5	Richard CHEON	10 - 0	0:08	IPO
8	Kayen TAN	2	4	Caine MCCABE	0 - 10	1:03	IPO
9	Ioan FRIZZELL	1	3	Vincent NINALGA	0 - 10	0:42	IPO
10	Kayen TAN	2	5	Richard CHEON	10 - 0	0:00	KIK

Results

Pos	Name
1	Vincent NINALGA, Arashi BC
2	Caine MCCABE, Kelowna BC
3	Kayen TAN, Zenyu USA

U21 Men -60kg

Competitors

#	Name	Grade	Club	1	2	1	2	1	2	Wins	Pts	Pos
1	Billy Gubbins (57,00)	Blue	Victoria BC	XX	10	XX	10	XX		2	20	1
2	Ben LEATHERDALE (60,00)	Blue	Kelowna BC		XX		XX		XX	0	0	2

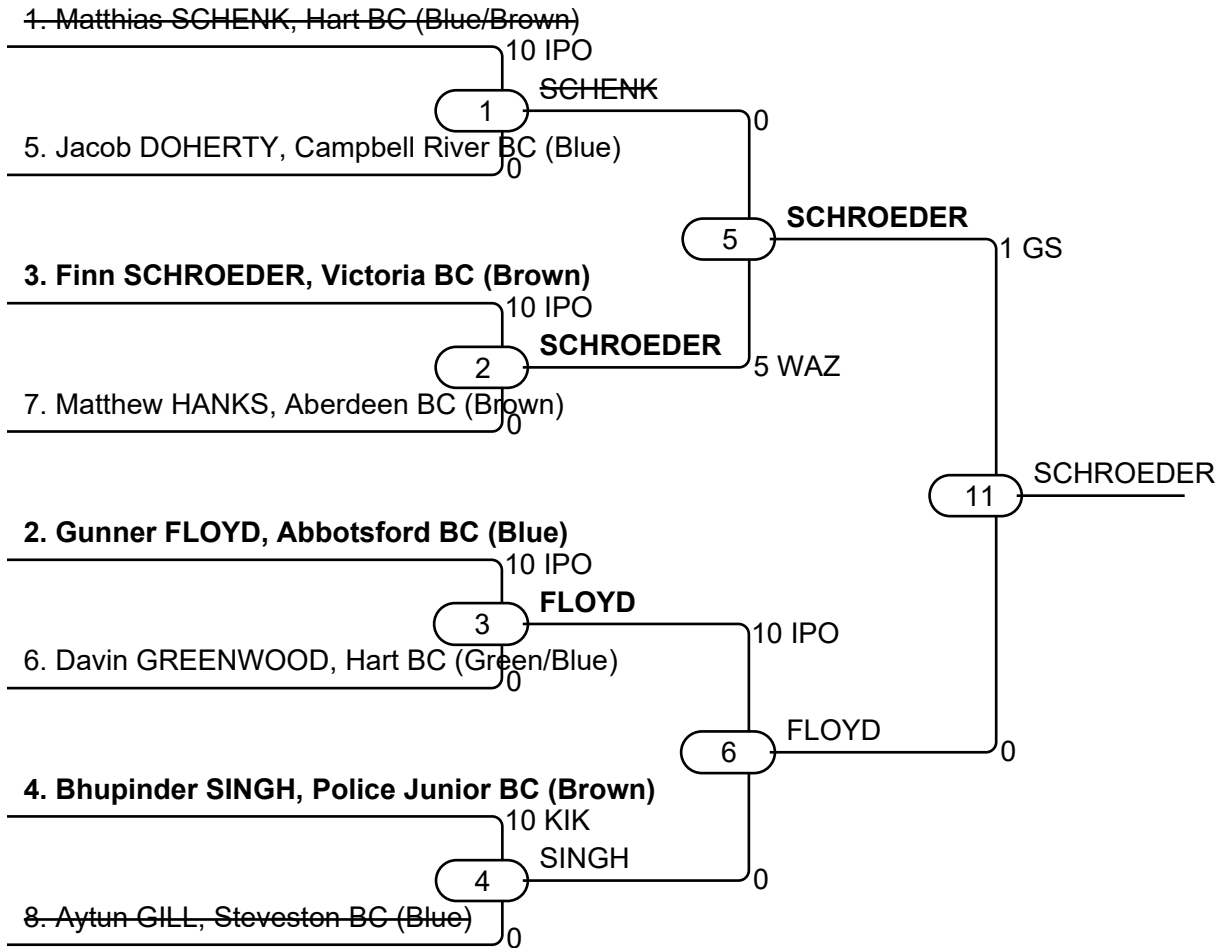
Matches

Match	White			Blue	Result	Time	Code
1	Billy Gubbins	1	2	Ben LEATHERDALE	10 - 0	1:42	IPO
2	Ben LEATHERDALE	2	1	Billy Gubbins	0 - 10	2:48	IPO
3	Billy Gubbins	1	2	Ben LEATHERDALE			

Results

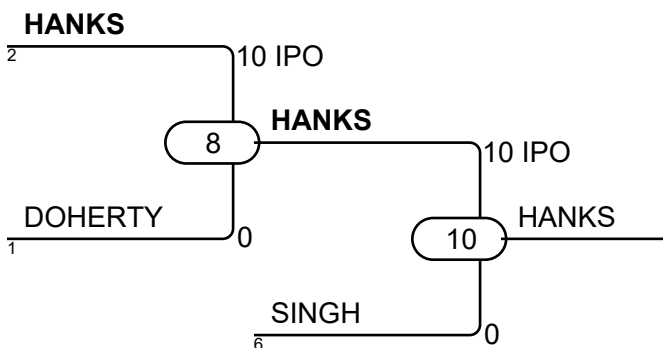
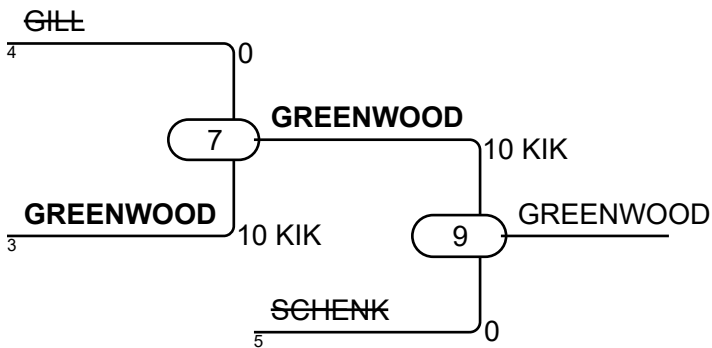
Pos	Name
1	Billy Gubbins, Victoria BC

U21 Men -66kg



Results

Pos	Name
1	Finn SCHROEDER, Victoria BC
2	Gunner FLOYD, Abbotsford BC
3	Davin GREENWOOD, Hart BC
3	Matthew HANKS, Aberdeen BC



U21 Women -52kg

Competitors

#	Name	Grade	Club	1	2	1	2	1	2	Wins	Pts	Pos
1	Launa HINTON (52,00)	Brown	Abbotsford BC	XX	10	XX	10	XX		2	20	1
2	Kimiko KAMSTRA (48,00)	Blue/Brown	Hart BC		XX		XX		XX	0	0	2

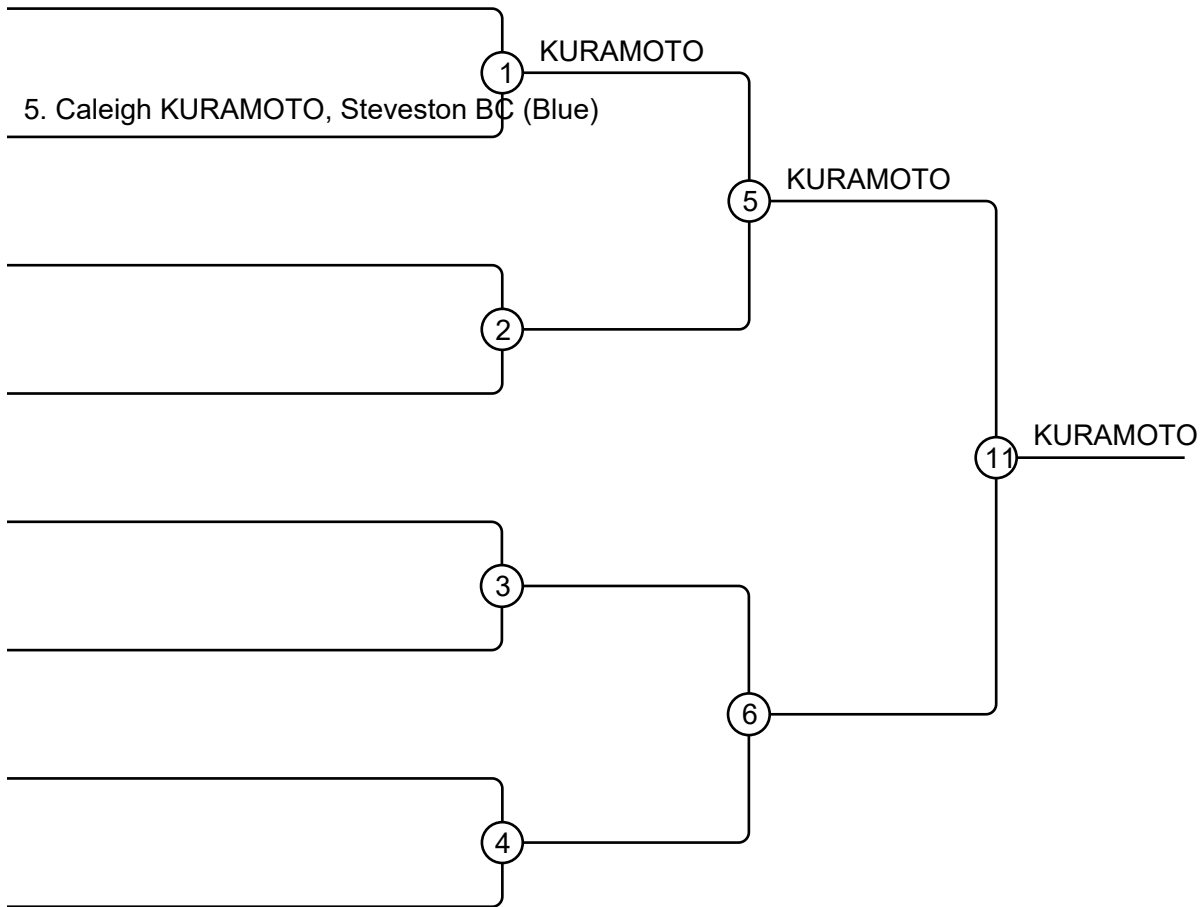
Matches

Match	White			Blue	Result	Time	Code
1	Launa HINTON	1	2	Kimiko KAMSTRA	10 - 0	0:37	IPO
2	Kimiko KAMSTRA	2	1	Launa HINTON	0 - 10	0:58	IPO
3	Launa HINTON	1	2	Kimiko KAMSTRA			

Results

Pos	Name
1	Launa HINTON, Abbotsford BC

U21 Women -57kg



Results

Pos	Name
1	Caleigh KURAMOTO, Steveston BC
2	
3	
3	
5	
5	
7	
7	

