

Int Men -55kg

Competitors/Compétiteurs

#	Name/Nom	Grade	Club	1	2	1	2	1	2	W/G	Pts	Pos
1	Ioan FRIZZELL (55,00)	2 Kyu +	Hart BC	XX		XX		XX		0	0	2
2	Graham NORQUAY (55,00)	2 Kyu +	Invermere BC	5	XX	10	XX		XX	2	15	1

Matches/Matches

Match	White/Blanc			Blue/Bleu	Res/Rés	Tim/Tmp	Code
D-16	Ioan FRIZZELL	1	2	Graham NORQUAY	0 - 5	4:00	WAZ
D-26	Graham NORQUAY	2	1	Ioan FRIZZELL	10 - 0	1:12	IPO
D-35	Ioan FRIZZELL	1	2	Graham NORQUAY			

Results/Résultats

Pos	Name/Nom
1	Graham NORQUAY, Invermere BC

Int Men -60kg

Competitors/Compétiteurs

#	Name/Nom	Grade	Club	1	2	1	2	1	2	W/G	Pts	Pos
1	Alexander WILCZEK (60,00)	2 Kyu	Hiro's AB	XX		XX		XX		0	0	2
2	Seth NOBERT (60,00)	2 Kyu	Kodokwai AB	10	XX	10	XX		XX	2	20	1

Matches/Matches

Match	White/Blanc			Blue/Bleu	Res/Rés	Tim/Tmp	Code
A-15	Alexander WILCZEK	1	2	Seth NOBERT	0 - 10	0:39	WIP
A-25	Seth NOBERT	2	1	Alexander WILCZEK	10 - 0	0:32	IPO
A-35	Alexander WILCZEK	1	2	Seth NOBERT			

Results/Résultats

Pos	Name/Nom
1	Seth NOBERT, Kodokwai AB

Int Men -66kg

Competitors/Compétiteurs

#	Name/Nom	Grade	Club	1	2	3	W/G	Pts	Pos
1	Giang (billy) VU (66,00)	3 Kyu	Burnaby BC	XX			0	0	3
2	Davin GREENWOOD (66,00)	3 Kyu +	Hart BC	10	XX		1	10	2
3	Howie HOANG (66,00)	2 Kyu	Police Judo Junior BC	10	10	XX	2	20	1

Matches/Matches

Match	White/Blanc			Blue/Bleu	Res/Rés	Tim/Tmp	Code
A-14	Giang (billy) VU	1	2	Davin GREENWOOD	0 - 10	1:14	IPO
A-24	Giang (billy) VU	1	3	Howie HOANG	0 - 10	0:34	IPO
A-34	Davin GREENWOOD	2	3	Howie HOANG	0 - 10	0:33	IPO

Results/Résultats

Pos	Name/Nom
1	Howie HOANG, Police Judo Junior BC
2	Davin GREENWOOD, Hart BC

Int Men -73kg

Competitors/Compétiteurs

#	Name/Nom	Grade	Club	1	2	1	2	1	2	W/G	Pts	Pos
1	Stanislav STEFANOV (73,00)	2 Kyu	Steveston BC	XX		XX	10	XX	10	2	20	1
2	John CRUZ (73,00)	3 Kyu	Westminster BC	10	XX		XX		XX	1	10	2

Matches/Matches

Match	White/Blanc			Blue/Bleu	Res/Rés	Tim/Tmp	Code
C-36A	Stanislav STEFANOV	1	2	John CRUZ	0 - 10	0:00	IPO
C-41A	John CRUZ	2	1	Stanislav STEFANOV	0 - 10	0:40	IPO
C-44A	Stanislav STEFANOV	1	2	John CRUZ	10 - 0	0:45	IPO

Results/Résultats

Pos	Name/Nom
1	Stanislav STEFANOV, Steveston BC
2	John CRUZ, Westminster BC

Int Men -90kg

Competitors/Compétiteurs A

#	Name/Nom	Grade	Club	1	2	3	W/G	Pts	Pos
1	Sam MILLER (81,00)	2 Kyu	Nakashima Dojo BC	XX			0	0	3
2	Justin WHITE (81,00)	2 Kyu	Airdrie Eidokan AB	10	XX		1	10	2
3	Kace CALLAGHAN (81,00)	2 Kyu	Judo Saskatchewan	10	10	XX	2	20	1

Matches/Matches A

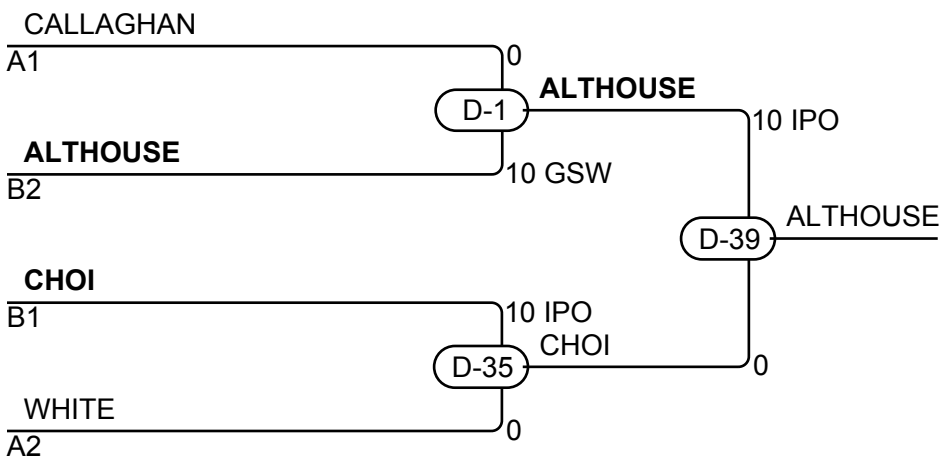
Match	White/Blanc			Blue/Bleu	Res/Rés	Tim/Tmp	Code
D-14	Sam MILLER	1	2	Justin WHITE	0 - 10	2:27	WIP
D-24	Sam MILLER	1	3	Kace CALLAGHAN	0 - 10	2:12	IPO
D-32E	Justin WHITE	2	3	Kace CALLAGHAN	0 - 10	0:31	IPO

Competitors/Compétiteurs B

#	Name/Nom	Grade	Club	4	5	6	W/G	Pts	Pos
4	Taylor ALTHOUSE (81,00)	2 Kyu	Lethbridge Kyodokan AB	XX		10	1	10	2
5	Robin CHOI (90,00)	3 Kyu	Kamloops BC	10	XX	10	2	20	1
6	John PARK (81,00)	3 Kyu	Westminster BC			XX	0	0	3

Matches/Matches B

Match	White/Blanc			Blue/Bleu	Res/Rés	Tim/Tmp	Code
D-15	Taylor ALTHOUSE	4	5	Robin CHOI	0 - 10	0:12	IPO
D-25	Taylor ALTHOUSE	4	6	John PARK	10 - 0	0:44	WIP
D-32F	Robin CHOI	5	6	John PARK	10 - 0	0:08	IPO



Results/Résultats

Pos	Name/Nom
1	Taylor ALTHOUSE, Lethbridge Kyodokan AB
2	Robin CHOI, Kamloops BC
3	Kace CALLAGHAN, Judo Saskatchewan
3	Justin WHITE, Airdrie Eidokan AB

Int Women -63kg

Competitors/Compétiteurs

#	Name/Nom	Grade	Club	1	2	3	W/G	Pts	Pos
1	Robin SUNDBERG (63,00)	3 Kyu	Parkland BC	XX	10	10	2	20	1
2	Lizet NORENA (57,00)	3 Kyu	Police Judo Junior BC		XX		0	0	3
3	Jennifer DARMADI (57,00)	4 Kyu	Nanaimo BC		10	XX	1	10	2

Matches/Matches

Match	White/Blanc			Blue/Bleu	Res/Rés	Tim/Tmp	Code
A-16	Robin SUNDBERG	1	2	Lizet NORENA	10 - 0	0:38	IPO
A-26	Robin SUNDBERG	1	3	Jennifer DARMADI	10 - 0	0:12	IPO
A-36	Lizet NORENA	2	3	Jennifer DARMADI	0 - 10	0:32	WIP

Results/Résultats

Pos	Name/Nom
1	Robin SUNDBERG, Parkland BC
2	Jennifer DARMADI, Nanaimo BC

Senior Men -100kg

Competitors/Compétiteurs

#	Name/Nom	Grade	Club	1	2	3	4	5	W/G	Pts	Pos
1	Adrian VAN ERP (100,00)	1 Kyu	Victoria BC	XX					0	0	5
2	Tavis JAMIESON (100,00)	nidan	Steveston BC	10	XX	10	10		3	30	2
3	Tsubasa SAKAUSHI (100,00)	sandan	Tokai Univ. Japan	10		XX	10		2	20	3
4	Abdumajit SMAZOV (100,00)	shodan	Burnaby Judo Club	10			XX		1	10	3
5	Andriy ROMANOV (100,00)	shodan	Burnaby BC	10	10	10	5	XX	4	35	1

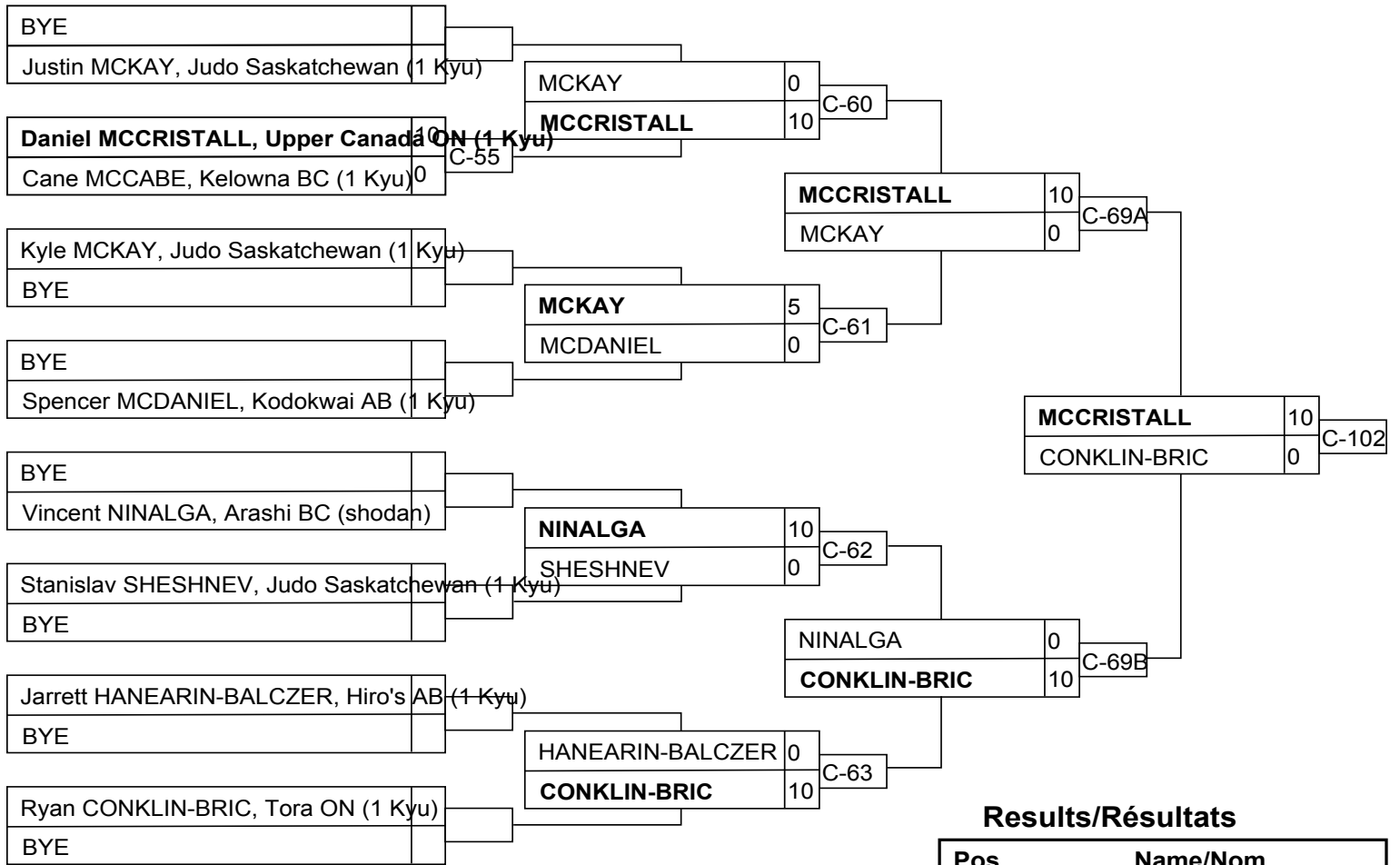
Matches/Matches

Match	White/Blanc			Blue/Bleu	Res/Rés	Tim/Tmp	Code
C-64	Abdumajit SMAZOV	4	5	Andriy ROMANOV	0 - 5	4:00	WAZ
C-65	Adrian VAN ERP	1	2	Tavis JAMIESON	0 - 10	1:06	IPO
C-70	Tsubasa SAKAUSHI	3	4	Abdumajit SMAZOV	10 - 0	2:51	WIP
C-71	Adrian VAN ERP	1	5	Andriy ROMANOV	0 - 10	0:15	IPO
C-78	Tavis JAMIESON	2	3	Tsubasa SAKAUSHI	10 - 0	2:02	IPO
C-79	Adrian VAN ERP	1	4	Abdumajit SMAZOV	0 - 10	1:01	IPO
C-84C	Tsubasa SAKAUSHI	3	5	Andriy ROMANOV	0 - 10	0:33	IPO
C-84E	Tavis JAMIESON	2	4	Abdumajit SMAZOV	10 - 0	4:00	WIP
C-95	Adrian VAN ERP	1	3	Tsubasa SAKAUSHI	0 - 10	0:44	IPO
C-96	Tavis JAMIESON	2	5	Andriy ROMANOV	0 - 10	0:47	IPO

Results/Résultats

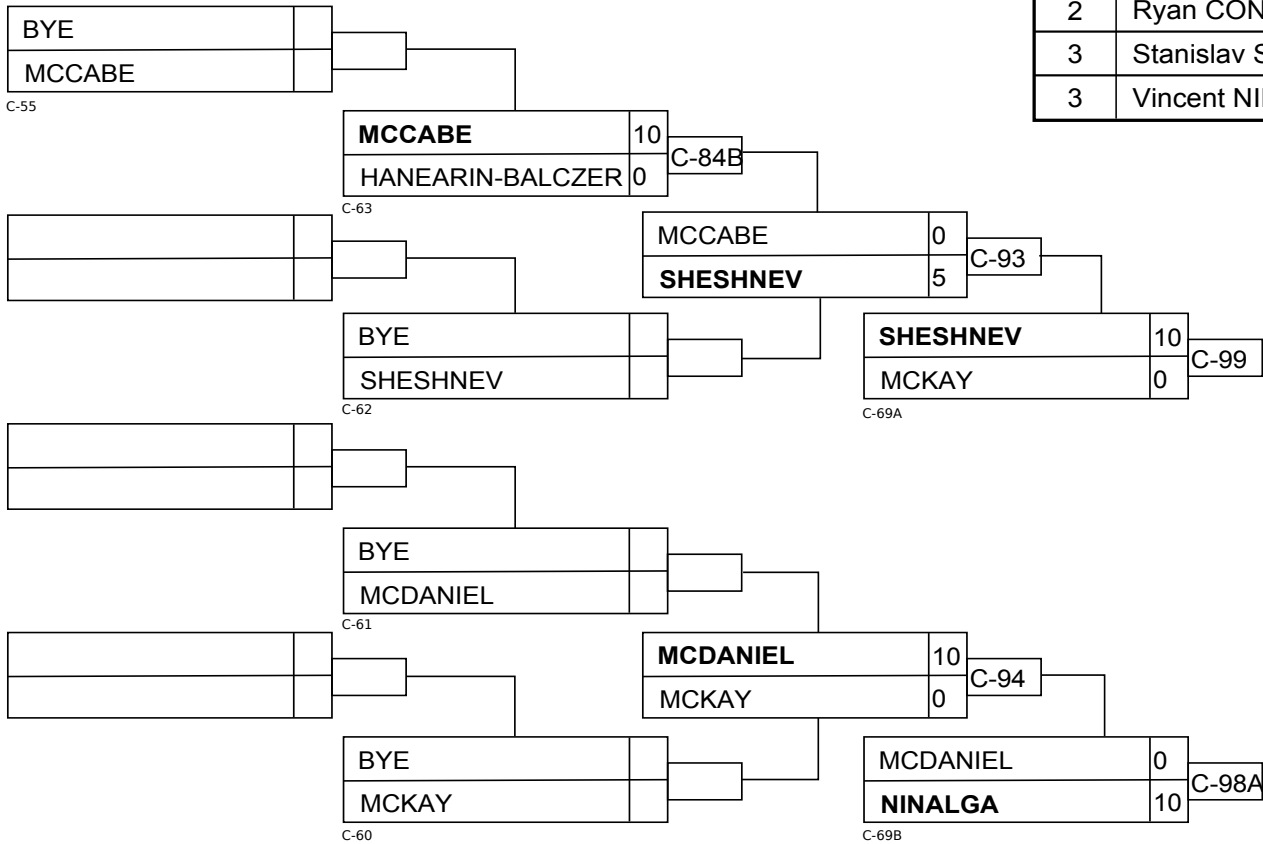
Pos	Name/Nom
1	Andriy ROMANOV, Burnaby BC
2	Tavis JAMIESON, Steveston BC
3	Tsubasa SAKAUSHI, Tokai Univ. Japan
3	Abdumajit SMAZOV, Burnaby Judo Club

Senior Men -55kg

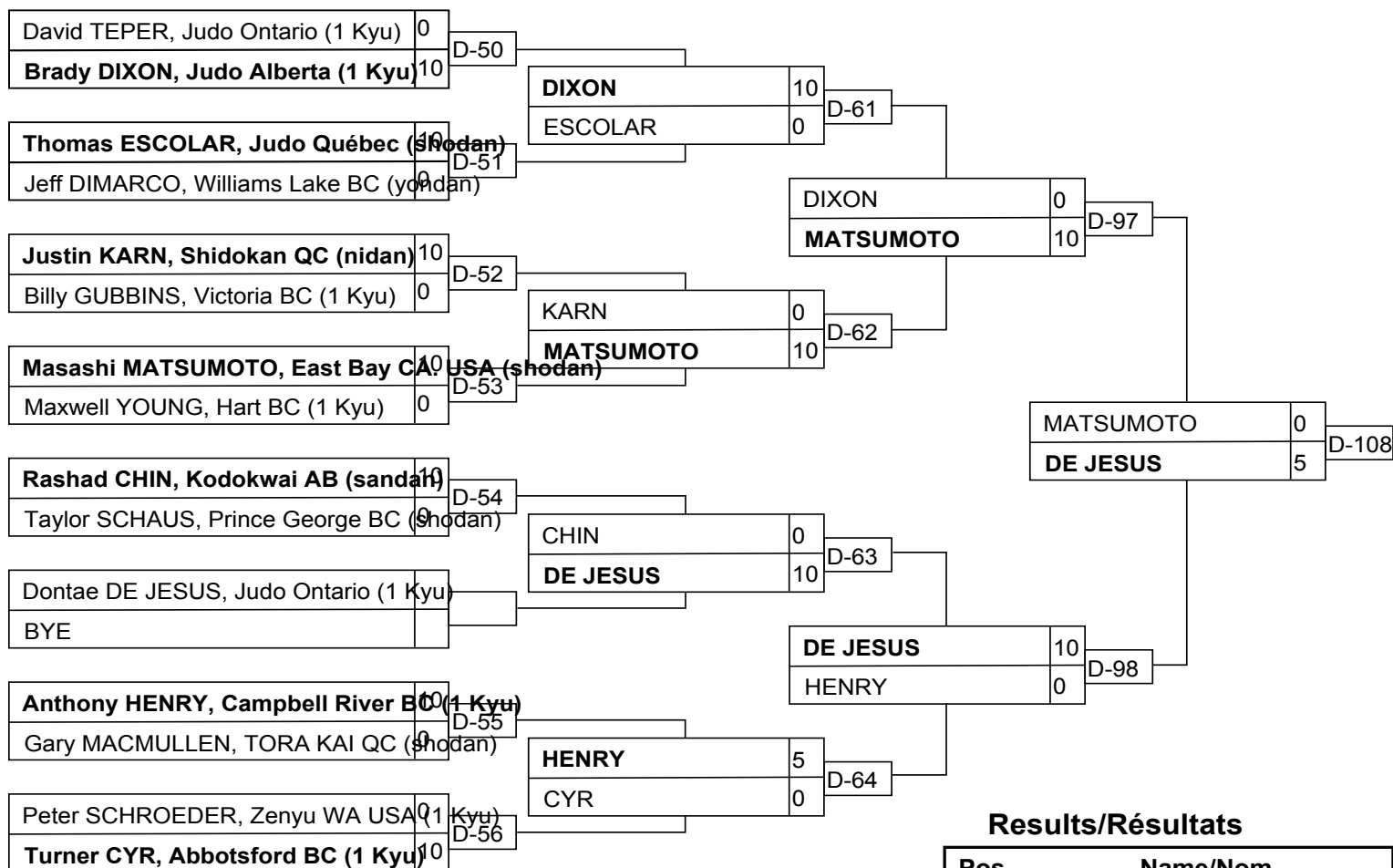


Results/Résultats

Pos	Name/Nom
1	Daniel MCCRISTALL, Upper Canada ON (1 Kyu)
2	Ryan CONKLIN-BRIC, Tora ON (1 Kyu)
3	Stanislav SHESHNEV, Judo Saskatchewan (1 Kyu)
3	Vincent NINALGA, Arashi BC (shodan)

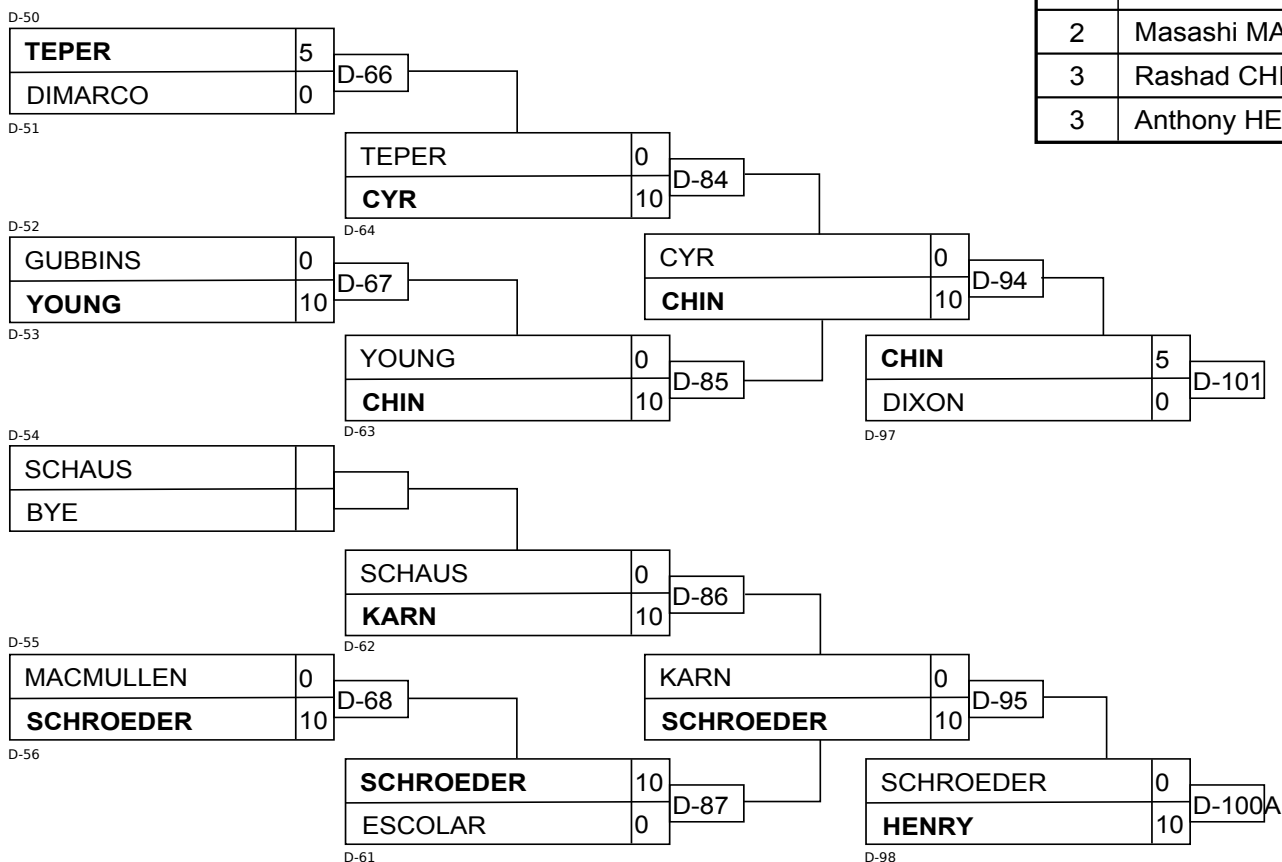


Senior Men -60kg

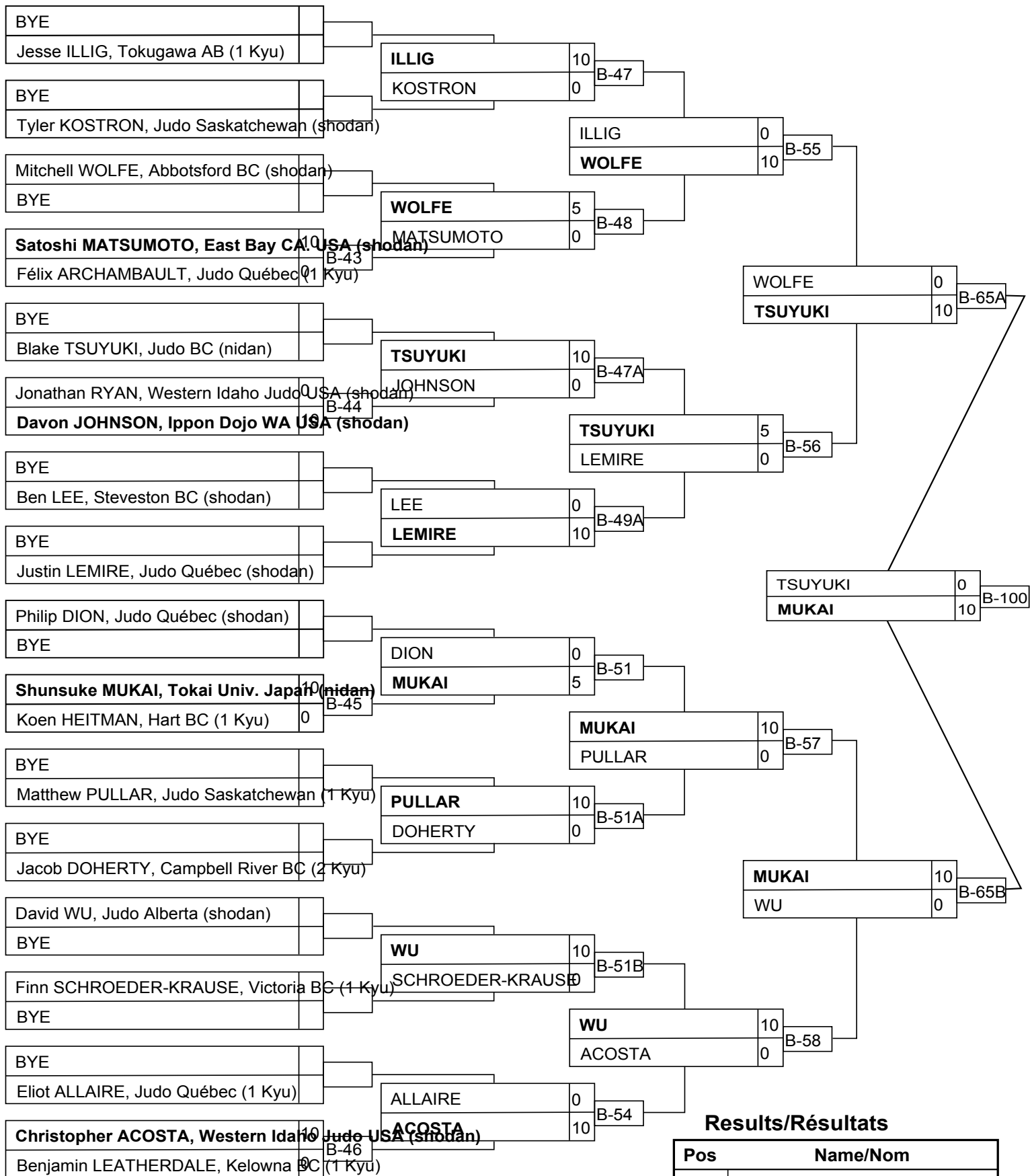


Results/Résultats

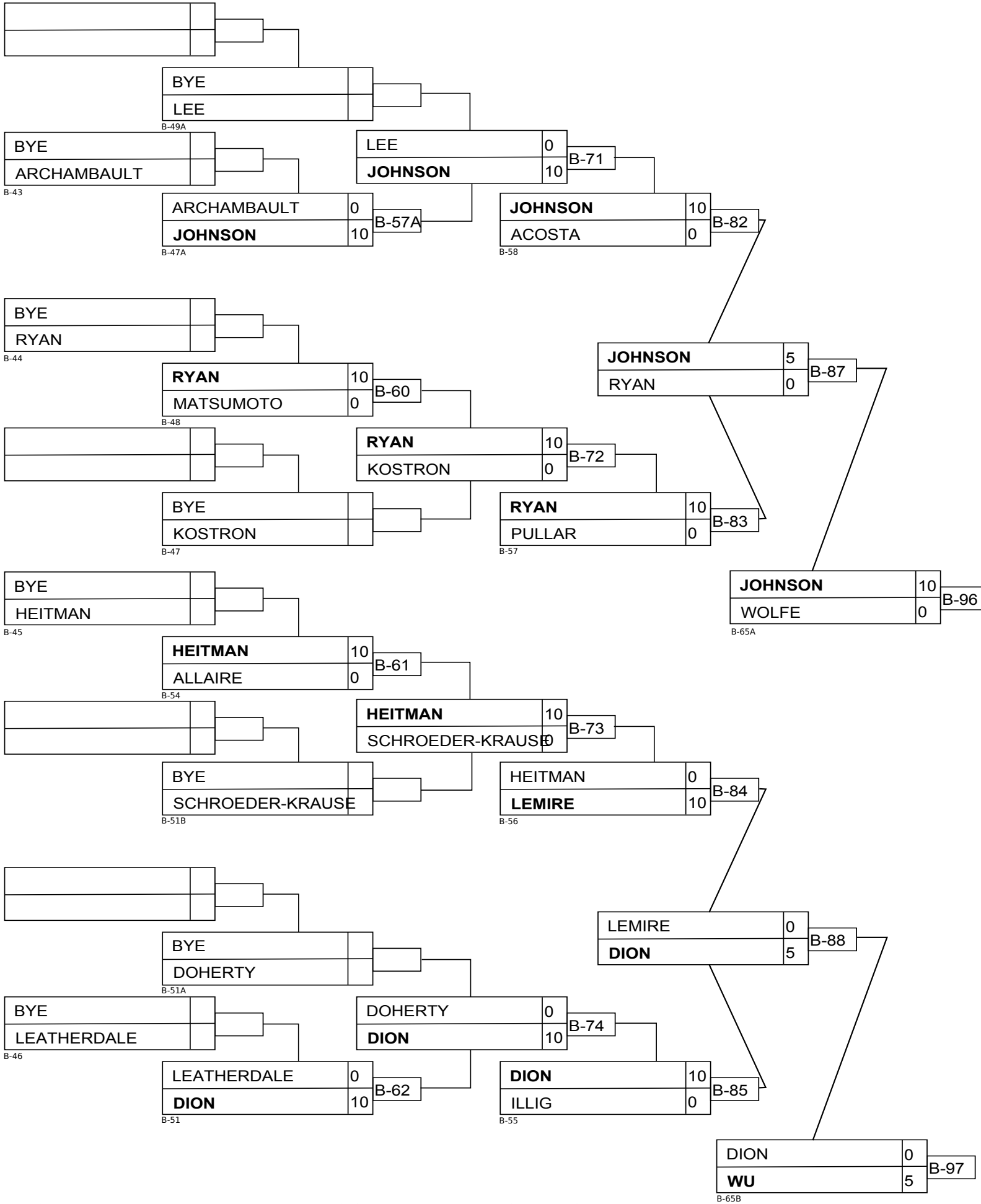
Pos	Name/Nom
1	Dontae DE JESUS, Judo Ontario (1 Kyu)
2	Masashi MATSUMOTO, East Bay CA.
3	Rashad CHIN, Kodokwai AB (sandan)
3	Anthony HENRY, Campbell River BC (1 Kyu)



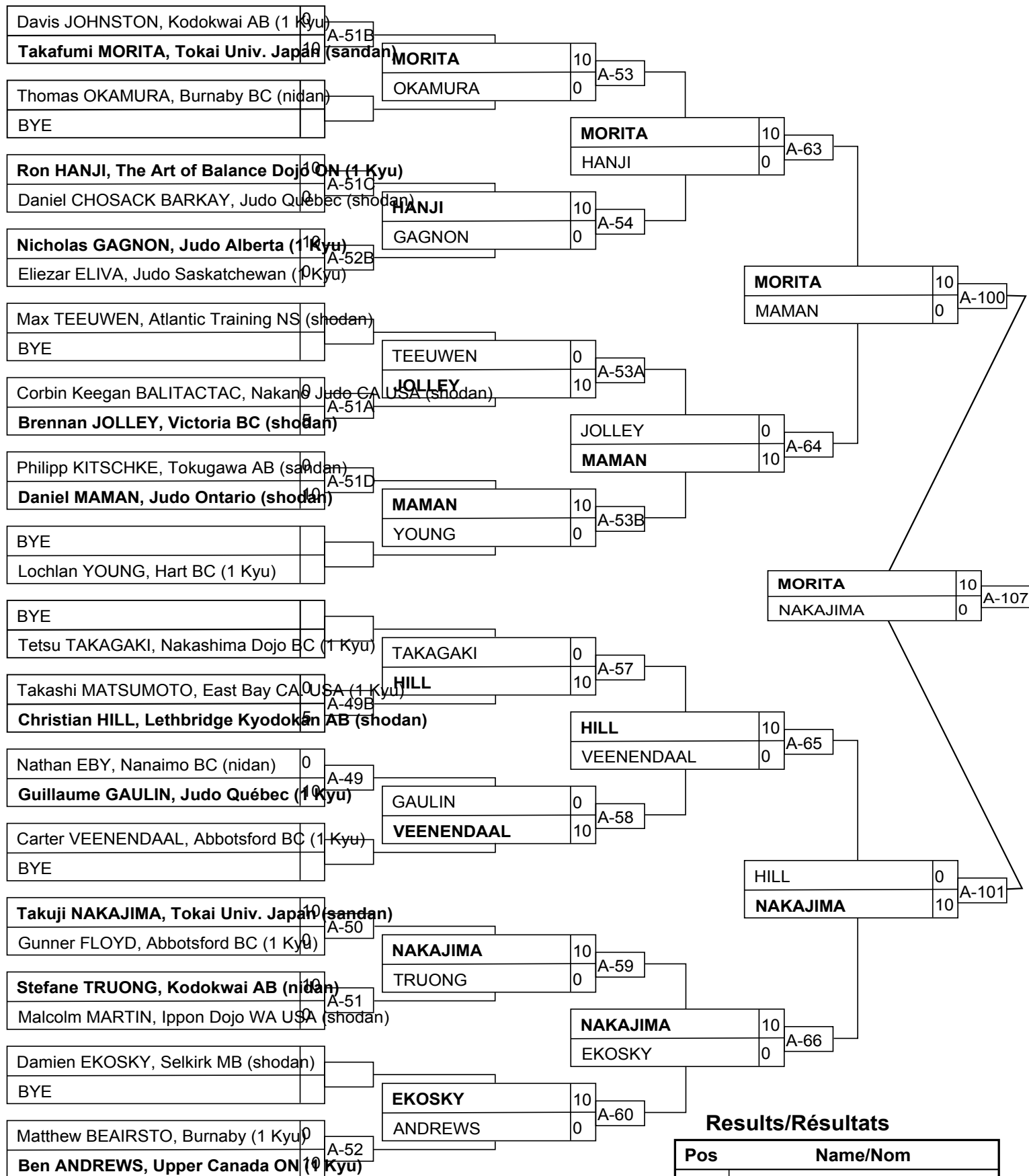
Senior Men -66kg



Senior Men -66kg



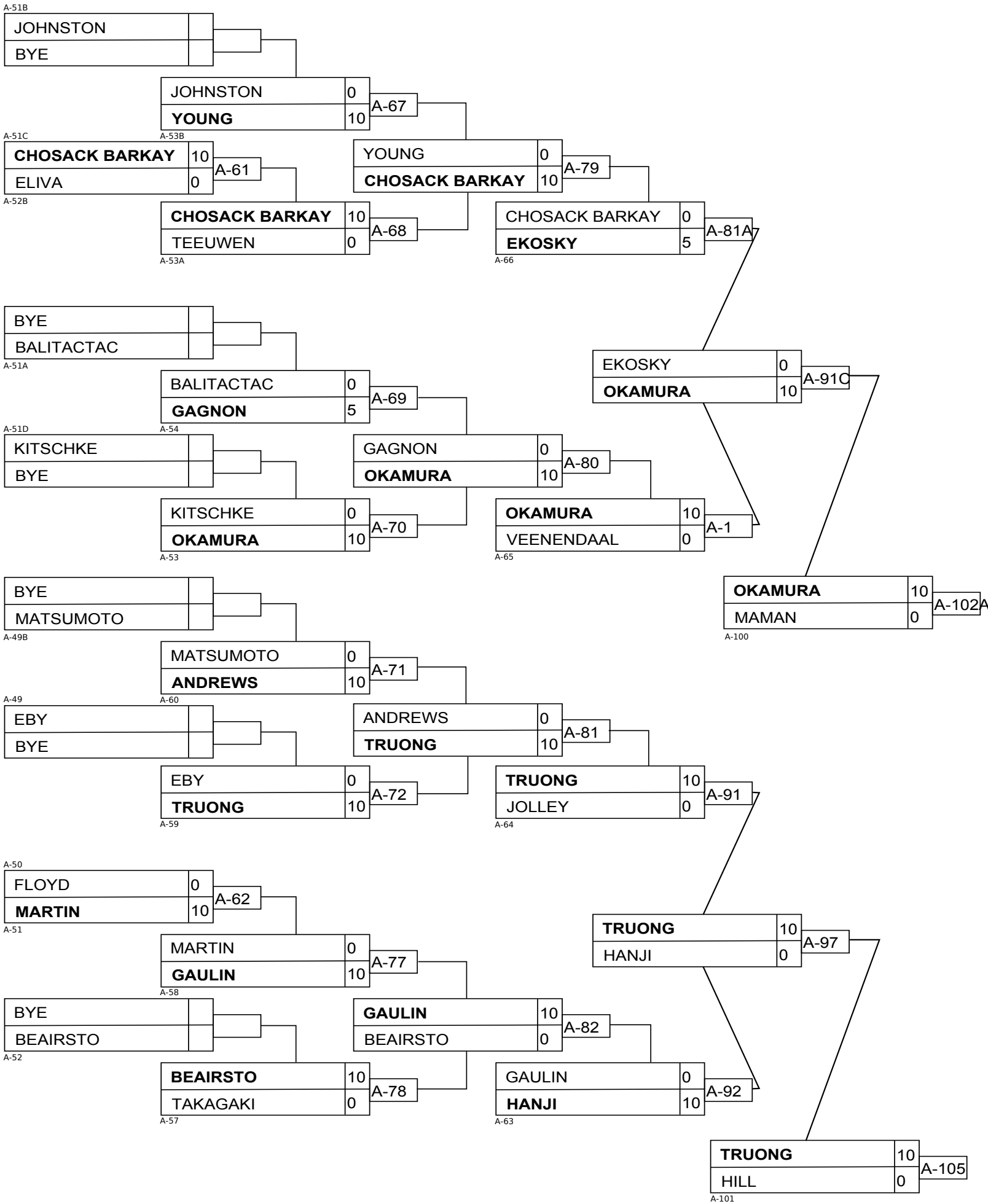
Senior Men -73kg



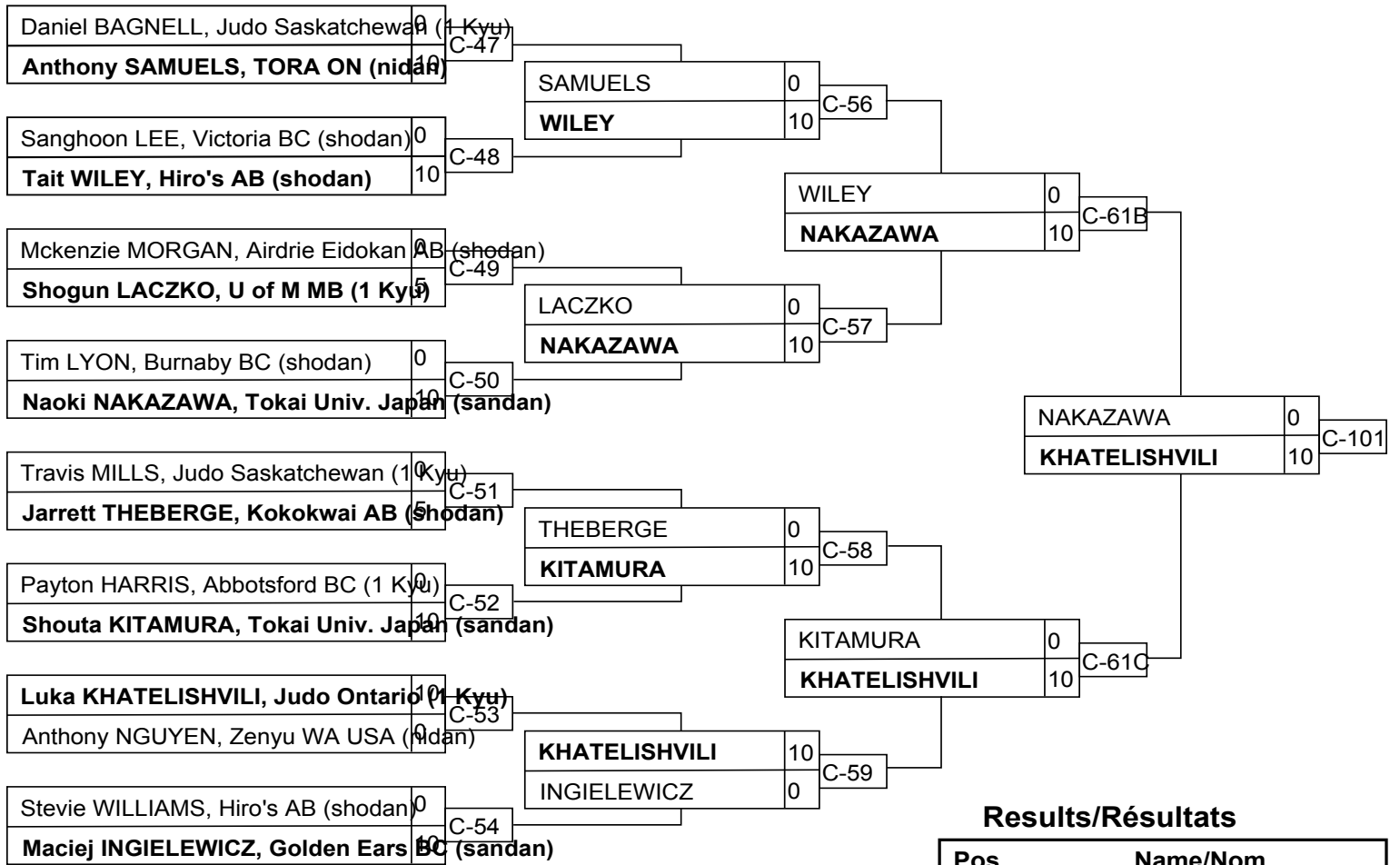
Results/Résultats

Pos	Name/Nom
1	Takafumi MORITA, Tokai Univ. Japan (sandan)
2	Takuji NAKAJIMA, Tokai Univ. Japan (sandan)
3	Thomas OKAMURA, Burnaby BC (nidan)
3	Stefane TRUONG, Kodokwai AB (nidan)

Senior Men -73kg

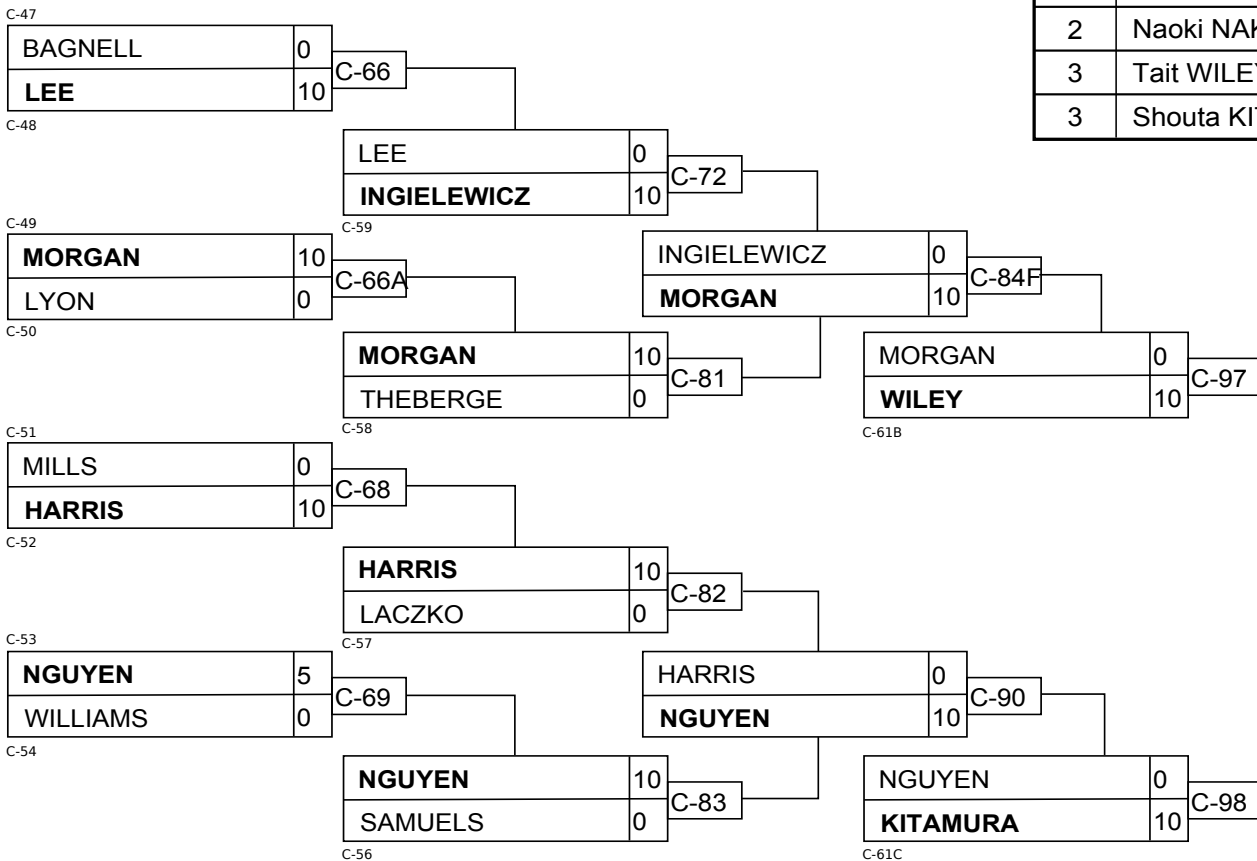


Senior Men -81kg

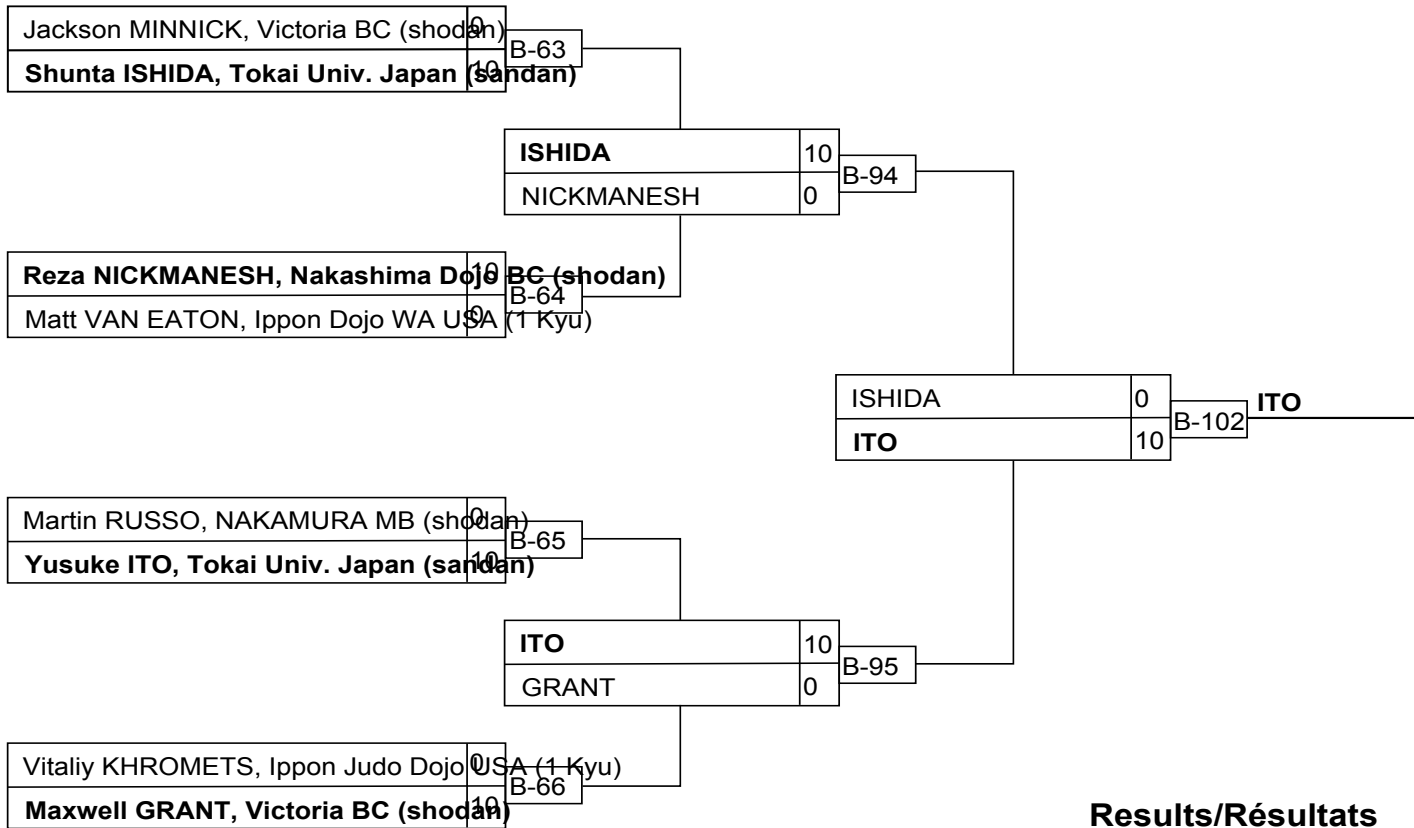


Results/Résultats

Pos	Name/Nom
1	Luka KHATELISHVILI, Judo Ontario (10 Kyu)
2	Naoki NAKAZAWA, Tokai Univ. Japan (sandan)
3	Tait WILEY, Hiro's AB (shodan)
3	Shouta KITAMURA, Tokai Univ. Japan (sandan)

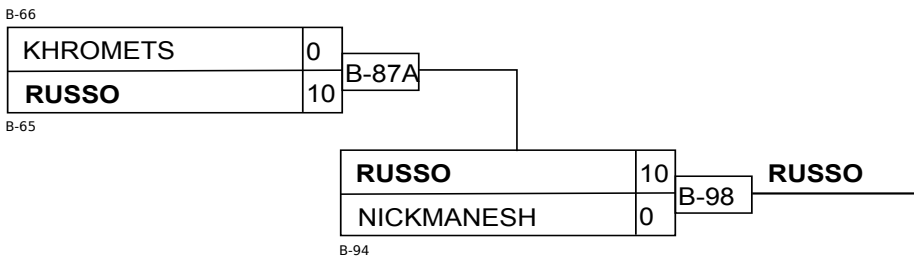


Senior Men -90kg

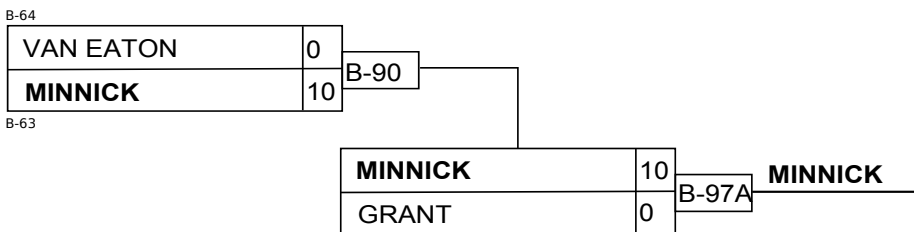


Results/Résultats

Pos	Name/Nom
1	Yusuke ITO, Tokai Univ. Japan (sandan)
2	Shunta ISHIDA, Tokai Univ. Japan (sandan)
3	Martin RUSSO, NAKAMURA MB (shodan)
3	Jackson MINNICK, Victoria BC (shodan)



B-94



B-95

Senior Men +100kg

Competitors/Compétiteurs

#	Name/Nom	Grade	Club	1	2	3	W/G	Pts	Pos
1	Denny NGUYEN (100,00)	nidan	Zenyu WA USA	XX	10	10	2	20	1
2	Tristan ALEXANDER (100,00)	shodan	Victoria BC		XX	10	1	10	2
3	Toru IWAASA (100,00)	1 Kyu	Judo Saskatchewan			XX	0	0	3

Matches/Matches

Match	White/Blanc			Blue/Bleu	Res/Rés	Tim/Tmp	Code
D-76	Denny NGUYEN	1	2	Tristan ALEXANDER	10 - 0	0:09	IPO
D-88	Denny NGUYEN	1	3	Toru IWAASA	10 - 0	0:23	IPO
D-96	Tristan ALEXANDER	2	3	Toru IWAASA	10 - 0	0:30	IPO

Results/Résultats

Pos	Name/Nom
1	Denny NGUYEN, Zenyu WA USA
2	Tristan ALEXANDER, Victoria BC

Senior Women -48kg

Competitors/Compétiteurs A

#	Name/Nom	Grade	Club	1	2	3	W/G	Pts	Pos
1	Brooke CORBETT (48,00)	2 Kyu	Hart BC	XX			0	0	3
2	Léa ROY (48,00)	1 Kyu	Judo Quebec	10	XX	5	2	15	1
3	Tami GOTO (48,00)	1 Kyu	Prince George BC	10		XX	1	10	2

Matches/Matchs A

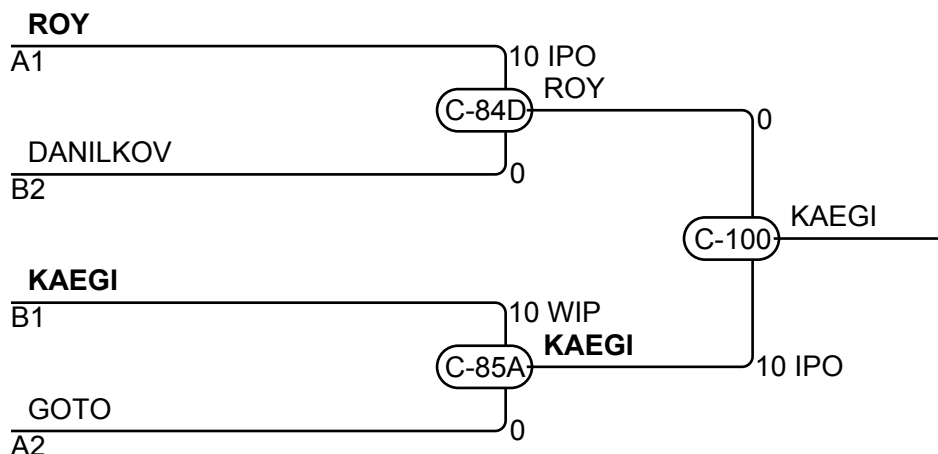
Match	White/Blanc	Blue/Bleu	Res/Rés	Tim/Tmp	Code
C-66B	Brooke CORBETT 1 2	Léa ROY	0 - 10	0:45	IPO
C-73	Brooke CORBETT 1 3	Tami GOTO	0 - 10	0:37	WIP
C-84	Léa ROY 2 3	Tami GOTO	5 - 0	4:00	WAZ

Competitors/Compétiteurs B

#	Name/Nom	Grade	Club	4	5	6	W/G	Pts	Pos
4	Klavdia DANILKOV (48,00)	3 Kyu	Judo BC	XX		10	1	10	2
5	Lorena KAEGI (48,00)	nidan	Keisatsu MB	10	XX	10	2	20	1
6	Kimiko KAMSTRA (48,00)	2 Kyu +	Hart BC			XX	0	0	3

Matches/Matchs B

Match	White/Blanc	Blue/Bleu	Res/Rés	Tim/Tmp	Code
C-66C	Klavdia DANILKOV 4 5	Lorena KAEGI	0 - 10	0:07	IPO
C-74	Klavdia DANILKOV 4 6	Kimiko KAMSTRA	10 - 0	3:37	IPO
C-84A	Lorena KAEGI 5 6	Kimiko KAMSTRA	10 - 0	0:32	IPO



Results/Résultats

Pos	Name/Nom
1	Lorena KAEGI, Keisatsu MB
2	Léa ROY, Judo Quebec
3	Klavdia DANILKOV, Judo BC
3	Tami GOTO, Prince George BC

Senior Women -52kg

Competitors/Compétiteurs A

#	Name/Nom	Grade	Club	1	2	3	4	W/G	Pts	Pos
1	Despina CHRISTOU (52,00)	2 Kyu	Judo Alberta	XX	10			1	10	3
2	Sasha CHILIBECK (52,00)	2 Kyu	Judo Saskatchewan		XX			0	0	4
3	Amira BOUSBIAT (52,00)	1 Kyu	Judo Québec	10	10	XX	10	3	30	1
4	Jennifer NGUYEN (52,00)	shodan	NAKAMURA MB	10	10		XX	2	20	2

Matches/Matchs A

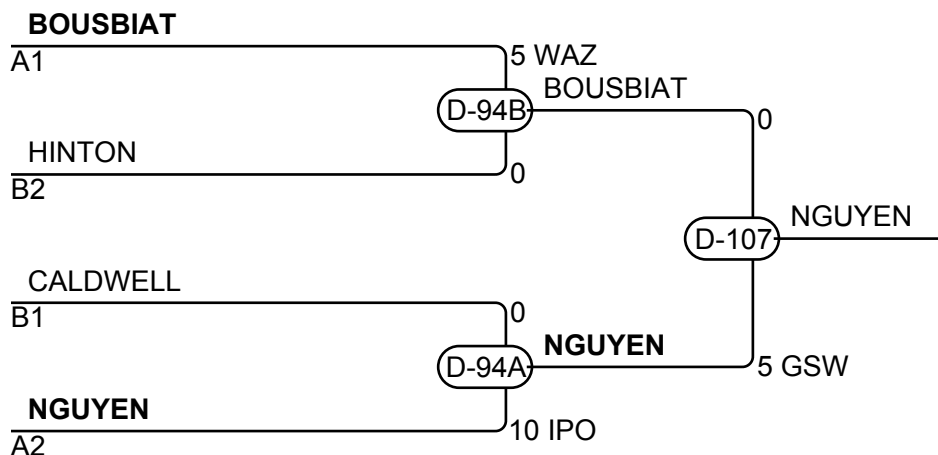
Match	White/Blanc	Blue/Bleu	Res/Rés	Tim/Tmp	Code
D-67A	Despina CHRISTOU	Sasha CHILIBECK	10 - 0	0:22	WIP
D-70	Amira BOUSBIAT	Jennifer NGUYEN	10 - 0	1:22	IPO
D-77	Despina CHRISTOU	Amira BOUSBIAT	0 - 10	0:35	IPO
D-78	Sasha CHILIBECK	Jennifer NGUYEN	0 - 10	2:26	IPO
D-89	Despina CHRISTOU	Jennifer NGUYEN	0 - 10	1:24	IPO
D-90	Sasha CHILIBECK	Amira BOUSBIAT	0 - 10	0:09	IPO

Competitors/Compétiteurs B

#	Name/Nom	Grade	Club	5	6	7	W/G	Pts	Pos
5	Kennedy (grace) BURTON (52,00)	2 Kyu	Judo Saskatchewan	XX			0	0	3
6	Emma CALDWELL (52,00)	1 Kyu	Lethbridge Kyodokan AB	10	XX	5	2	15	1
7	Launa HINTON (52,00)	1 Kyu	Abbotsford BC	10		XX	1	10	2

Matches/Matchs B

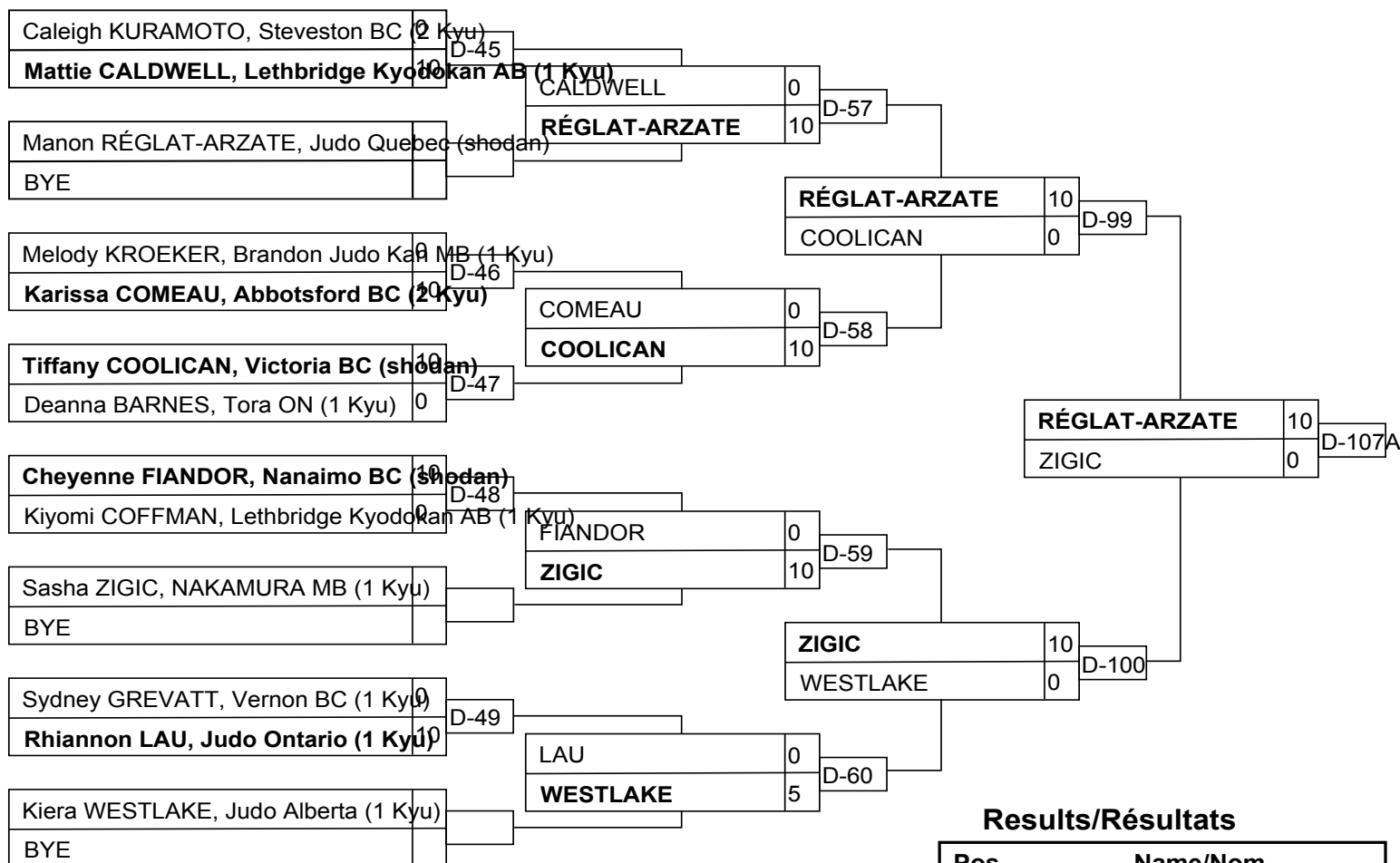
Match	White/Blanc	Blue/Bleu	Res/Rés	Tim/Tmp	Code
D-71	Kennedy (grace) BURTON	Emma CALDWELL	0 - 10	1:08	WIP
D-79	Kennedy (grace) BURTON	Launa HINTON	0 - 10	2:16	HAN
D-91	Emma CALDWELL	Launa HINTON	5 - 0	4:00	WAZ



Results/Résultats

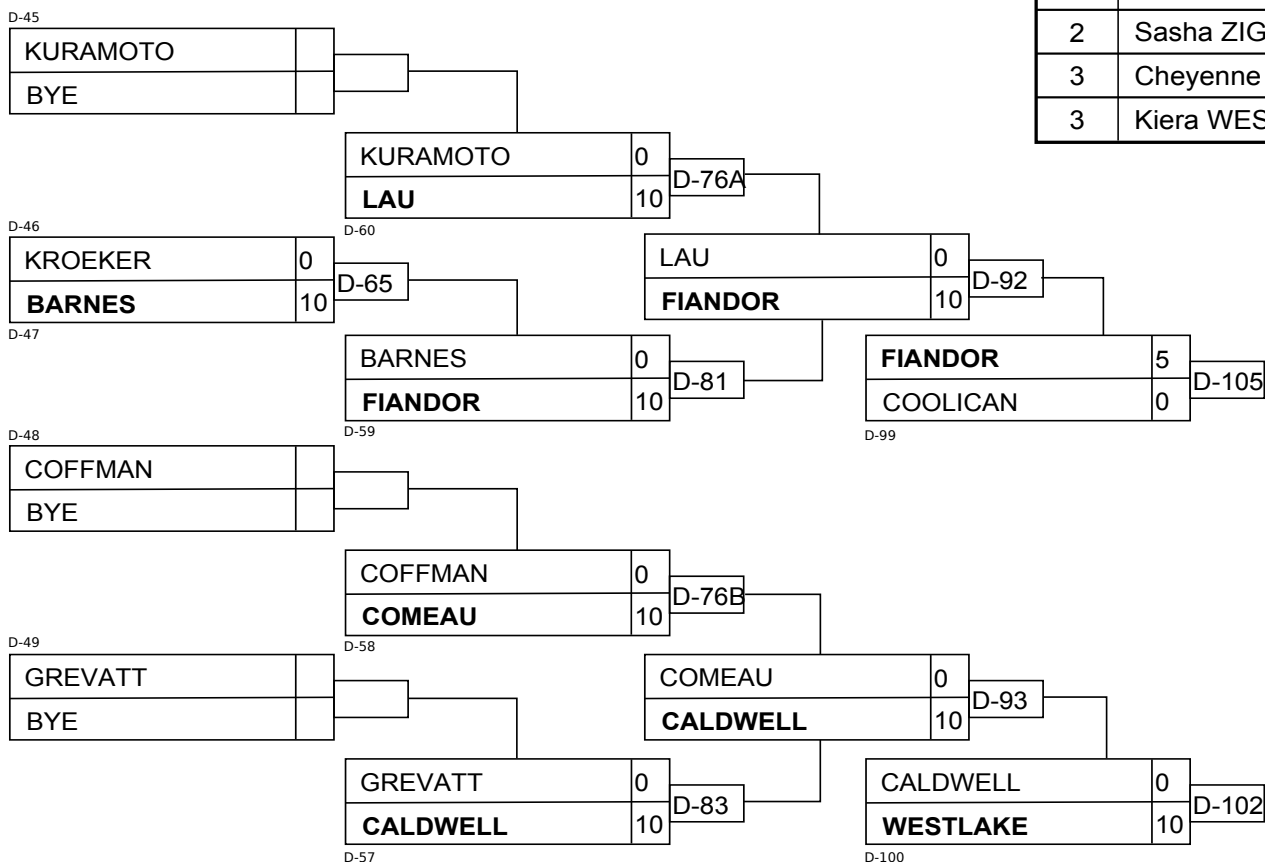
Pos	Name/Nom
1	Jennifer NGUYEN, NAKAMURA MB
2	Amira BOUSBIAT, Judo Québec
3	Launa HINTON, Abbotsford BC
3	Emma CALDWELL, Lethbridge Kyodokan AB

Senior Women -57kg

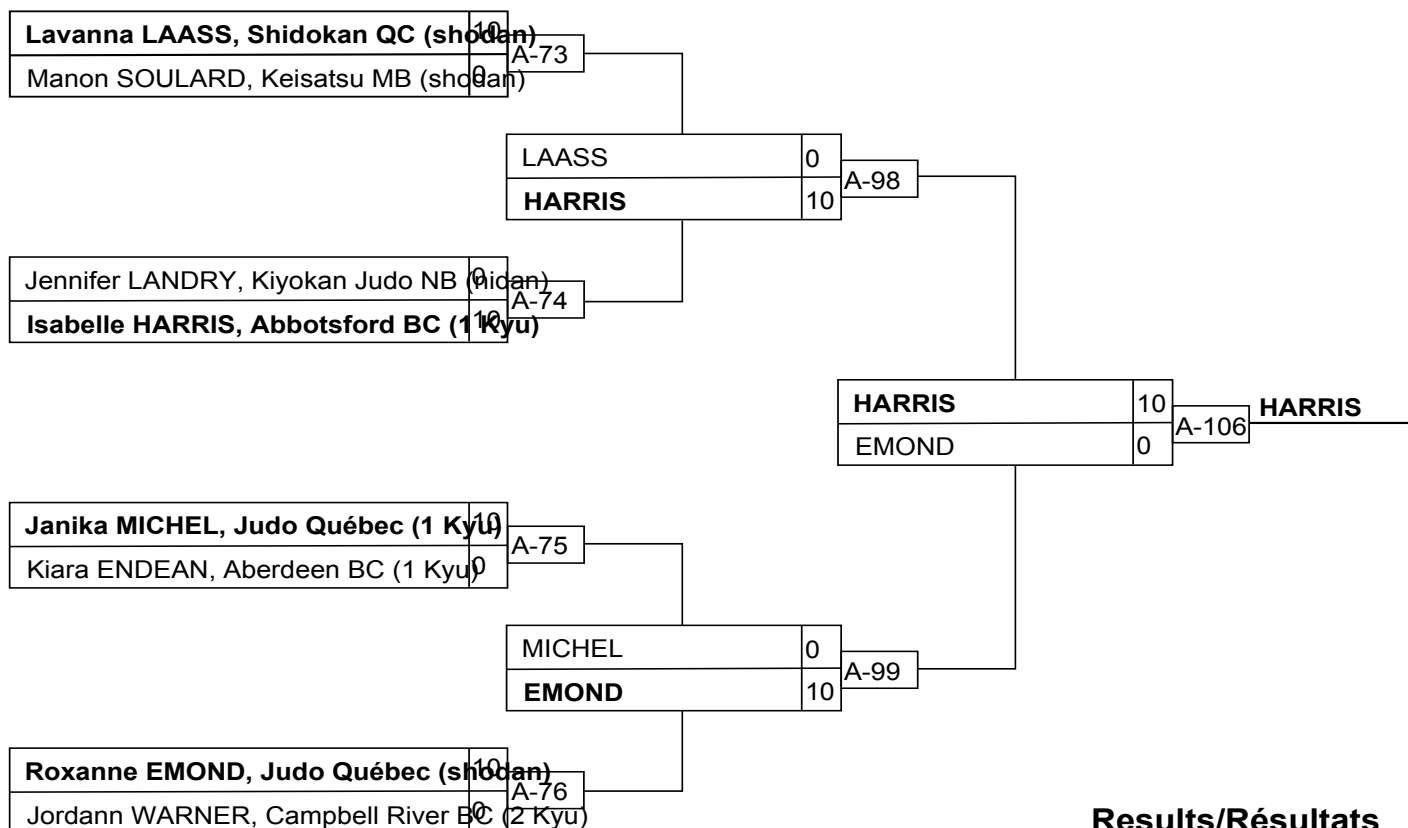


Results/Résultats

Pos	Name/Nom
1	Manon RÉGLAT-ARZATE, Judo Quebec (shodan)
2	Sasha ZIGIC, NAKAMURA MB (1 Kyu)
3	Cheyenne FIANDOR, Nanaimo BC (shodan)
3	Kiera WESTLAKE, Judo Alberta (1 Kyu)

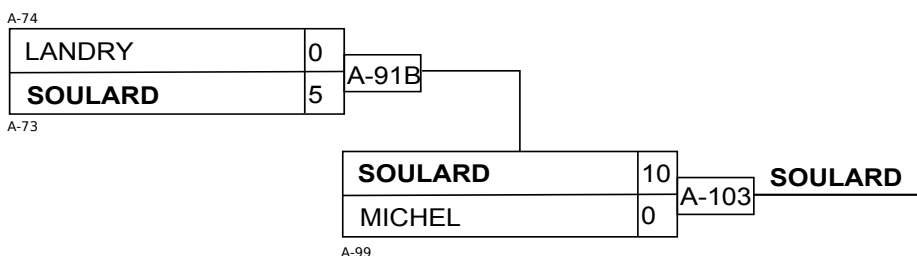
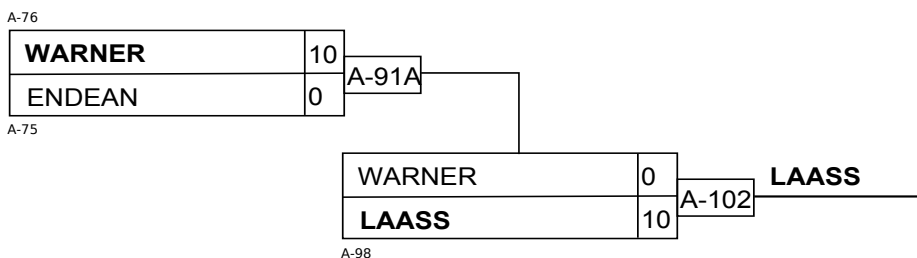


Senior Women -63kg

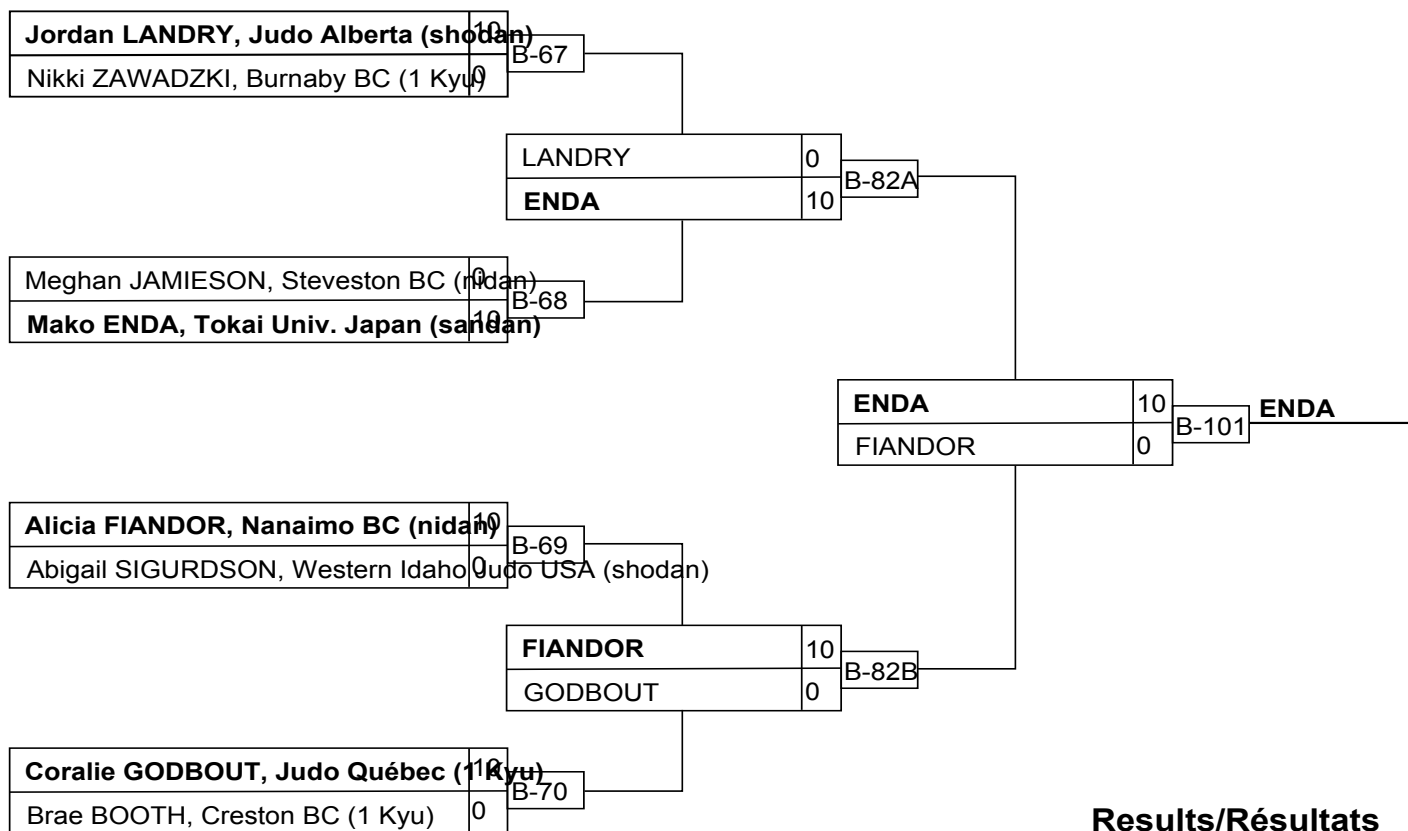


Results/Résultats

Pos	Name/Nom
1	Isabelle HARRIS, Abbotsford BC (1 Kyu)
2	Roxanne EMOND, Judo Québec (shodan)
3	Lavanna LAASS, Shidokan QC (shodan)
3	Manon SOULARD, Keisatsu MB (shodan)

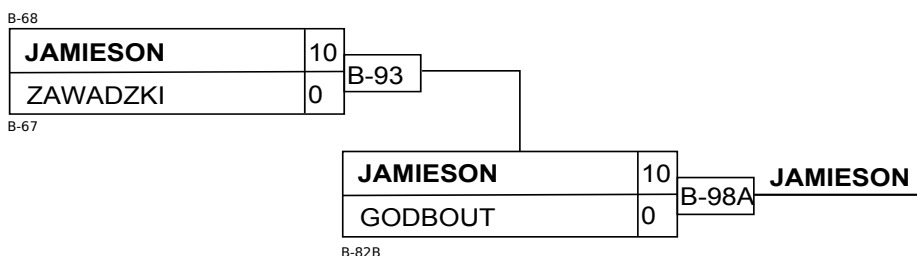
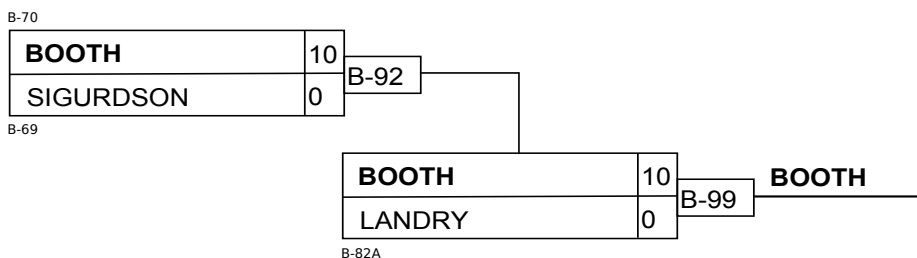


Senior Women -70kg



Results/Résultats

Pos	Name/Nom
1	Mako ENDA, Tokai Univ. Japan (sanda)
2	Alicia FIANDOR, Nanaimo BC (nidan)
3	Brae BOOTH, Creston BC (1 Kyu)
3	Meghan JAMIESON, Steveston BC (nidan)



Senior Women -78kg

Competitors/Compétiteurs

#	Name/Nom	Grade	Club	1	2	3	W/G	Pts	Pos
1	Josie-Anne SYNNOTT (78,00)	shodan	Judo Québec	XX			0	0	3
2	Annabelle DARLOW (78,00)	1 Kyu	Lethbridge Kyodokan AB	10	XX		1	10	2
3	Megan NEUMAN (78,00)	1 Kyu	Judo Saskatchewan	10	10	XX	2	20	1

Matches/Matches

Match	White/Blanc			Blue/Bleu	Res/Rés	Tim/Tmp	Code
B-44A	Josie-Anne SYNNOTT	1	2	Annabelle DARLOW	0 - 10	0:43	WIP
B-49C	Josie-Anne SYNNOTT	1	3	Megan NEUMAN	0 - 10	0:28	WIP
B-51C	Annabelle DARLOW	2	3	Megan NEUMAN	0 - 10	3:41	WIP

Results/Résultats

Pos	Name/Nom
1	Megan NEUMAN, Judo Saskatchewan
2	Annabelle DARLOW, Lethbridge Kyodokan AB

Senior Women +78kg

Competitors/Compétiteurs

#	Name/Nom	Grade	Club	1	2	1	2	1	2	W/G	Pts	Pos
1	Anna ATKINSON (78,00)	nidan	Zenyu WA USA	XX		XX		XX		0	0	2
2	Megan HANKS (78,00)	shodan	Aberdeen BC	10	XX	10	XX	10	XX	3	30	1

Matches/Matches

Match	White/Blanc			Blue/Bleu	Res/Rés	Tim/Tmp	Code
A-58A	Anna ATKINSON	1	2	Megan HANKS	0 - 10	0:01	IPO
A-52A	Megan HANKS	2	1	Anna ATKINSON	10 - 0	3:16	WIP
A-49A	Anna ATKINSON	1	2	Megan HANKS	0 - 10	2:30	IPO

Results/Résultats

Pos	Name/Nom
1	Megan HANKS, Aberdeen BC

U16 Men -38kg

Competitors/Compétiteurs A

#	Name/Nom	Grade	Club	1	2	3	4	W/G	Pts	Pos
1	Tayven TREMBLAY (38,00)	3 Kyu +	St. Albert Tokai AB	XX	10	10	10	3	30	1
2	Zackery JOE (38,00)	3 Kyu	Burnaby BC		XX		10	1	10	3
3	Peter VELONAS (38,00)	3 Kyu	Arashi BC		10	XX	10	2	20	2
4	Ethan FRIZELL (38,00)	3 Kyu +	Hart BC				XX	0	0	4

Matches/Matches A

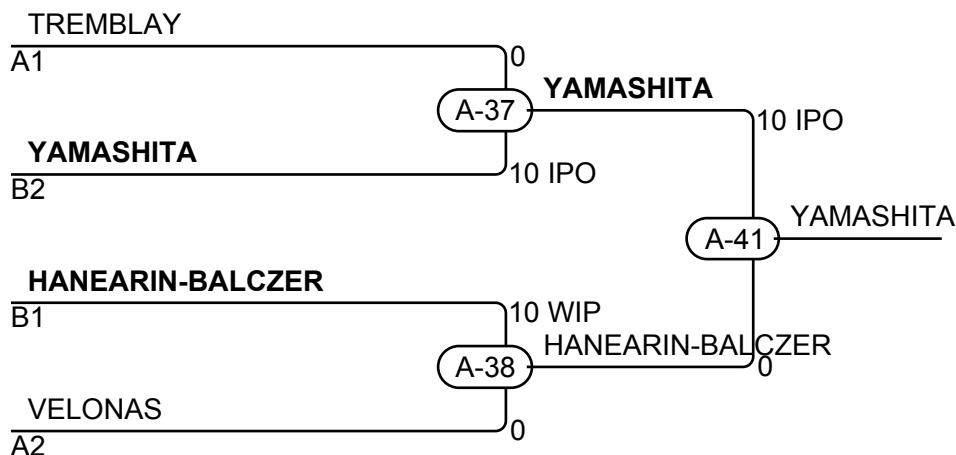
Match	White/Blanc	Blue/Bleu	Res/Rés	Tim/Tmp	Code
A-7	Tayven TREMBLAY 1 2	Zackery JOE	10 - 0	0:28	IPO
A-8	Peter VELONAS 3 4	Ethan FRIZELL	10 - 0	1:26	WIP
A-17	Tayven TREMBLAY 1 3	Peter VELONAS	10 - 0	0:22	IPO
A-18	Zackery JOE 2 4	Ethan FRIZELL	10 - 0	1:09	IPO
A-27	Tayven TREMBLAY 1 4	Ethan FRIZELL	10 - 0	0:07	IPO
A-28	Zackery JOE 2 3	Peter VELONAS	0 - 10	1:02	IPO

Competitors/Compétiteurs B

#	Name/Nom	Grade	Club	5	6	7	W/G	Pts	Pos
5	Brad YAMASHITA (38,00)	2 Kyu +	Zenyu WA USA	XX	10		1	10	2
6	Arron BOULDING (38,00)	3 Kyu	Nanaimo BC		XX		0	0	3
7	Keenan HANEARIN-BALCZER (38,00)	3 Kyu	Hiro's AB	5	10	XX	2	15	1

Matches/Matches B

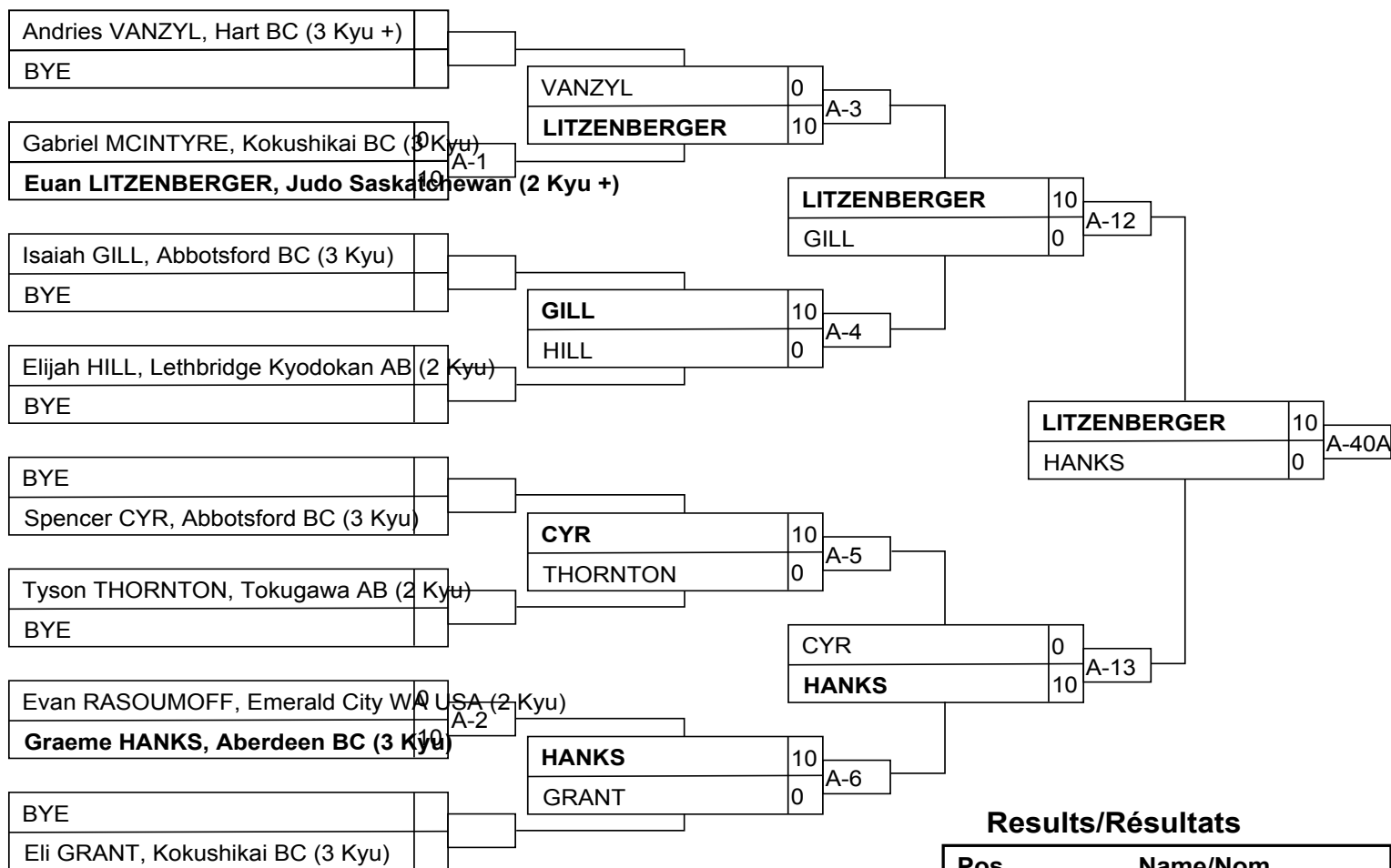
Match	White/Blanc	Blue/Bleu	Res/Rés	Tim/Tmp	Code
A-9	Brad YAMASHITA 5 6	Arron BOULDING	10 - 0	2:19	WIP
A-19	Brad YAMASHITA 5 7	Keenan HANEARIN-BALCZER	0 - 5	3:00	WAZ
A-29	Arron BOULDING 6 7	Keenan HANEARIN-BALCZER	0 - 10	0:13	WIP



Results/Résultats

Pos	Name/Nom
1	Brad YAMASHITA, Zenyu WA USA
2	Keenan HANEARIN-BALCZER, Hiro's AB
3	Tayven TREMBLAY, St. Albert Tokai AB
3	Peter VELONAS, Arashi BC

U16 Men -42kg



Results/Résultats

Pos	Name/Nom
1	Euan LITZENBERGER, Judo Saskatchewan
2	Graeme HANKS, Aberdeen BC (3 Kyu)
3	Isaiah GILL, Abbotsford BC (3 Kyu)
3	Elijah HILL, Lethbridge Kyodokan AB (2 Kyu)

A-1

A-6

A-5

A-2

A-4

A-3

A-12

A-13

U16 Men -46kg

Competitors/Compétiteurs A

#	Name/Nom	Grade	Club	1	2	3	4	W/G	Pts	Pos
1	Asher YOUNG (46,00)	2 Kyu	Hart BC	XX	5	10	10	3	25	1
2	Marcus POTTS (46,00)	3 Kyu	Shidokai BC		XX		10	1	10	3
3	Joshua DARMADI (46,00)	3 Kyu	Nanaimo BC		10	XX	10	2	20	2
4	Omar KASHKOUSH (46,00)	3 Kyu	St. Albert Tokai AB				XX	0	0	4

Matches/Matches A

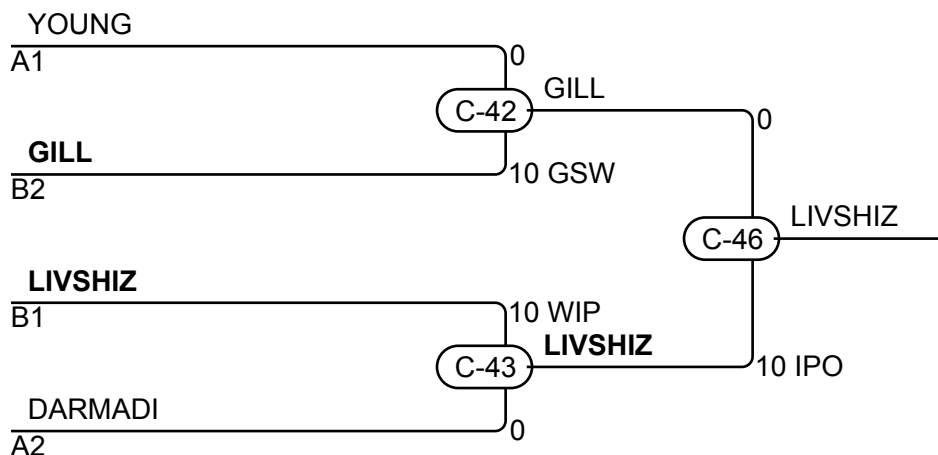
Match	White/Blanc	Blue/Bleu	Res/Rés	Tim/Tmp	Code
C-13	Asher YOUNG 1 2	Marcus POTTS	5 - 0	3:00	WAZ
C-14	Joshua DARMADI 3 4	Omar KASHKOUSH	10 - 0	0:34	WIP
C-23	Asher YOUNG 1 3	Joshua DARMADI	10 - 0	2:40	WIP
C-24	Marcus POTTS 2 4	Omar KASHKOUSH	10 - 0	1:31	WIP
C-34	Asher YOUNG 1 4	Omar KASHKOUSH	10 - 0	0:25	IPO
C-35	Marcus POTTS 2 3	Joshua DARMADI	0 - 10	3:00	WIP

Competitors/Compétiteurs B

#	Name/Nom	Grade	Club	5	6	7	W/G	Pts	Pos
5	Aidan KEYES (46,00)	3 Kyu	Police Judo Junior BC	XX			0	0	3
6	Elijah GILL (46,00)	3 Kyu	Abbotsford BC	10	XX		1	10	2
7	Eric LIVSHIZ (46,00)	2 Kyu +	Tritton CA USA	10	10	XX	2	20	1

Matches/Matches B

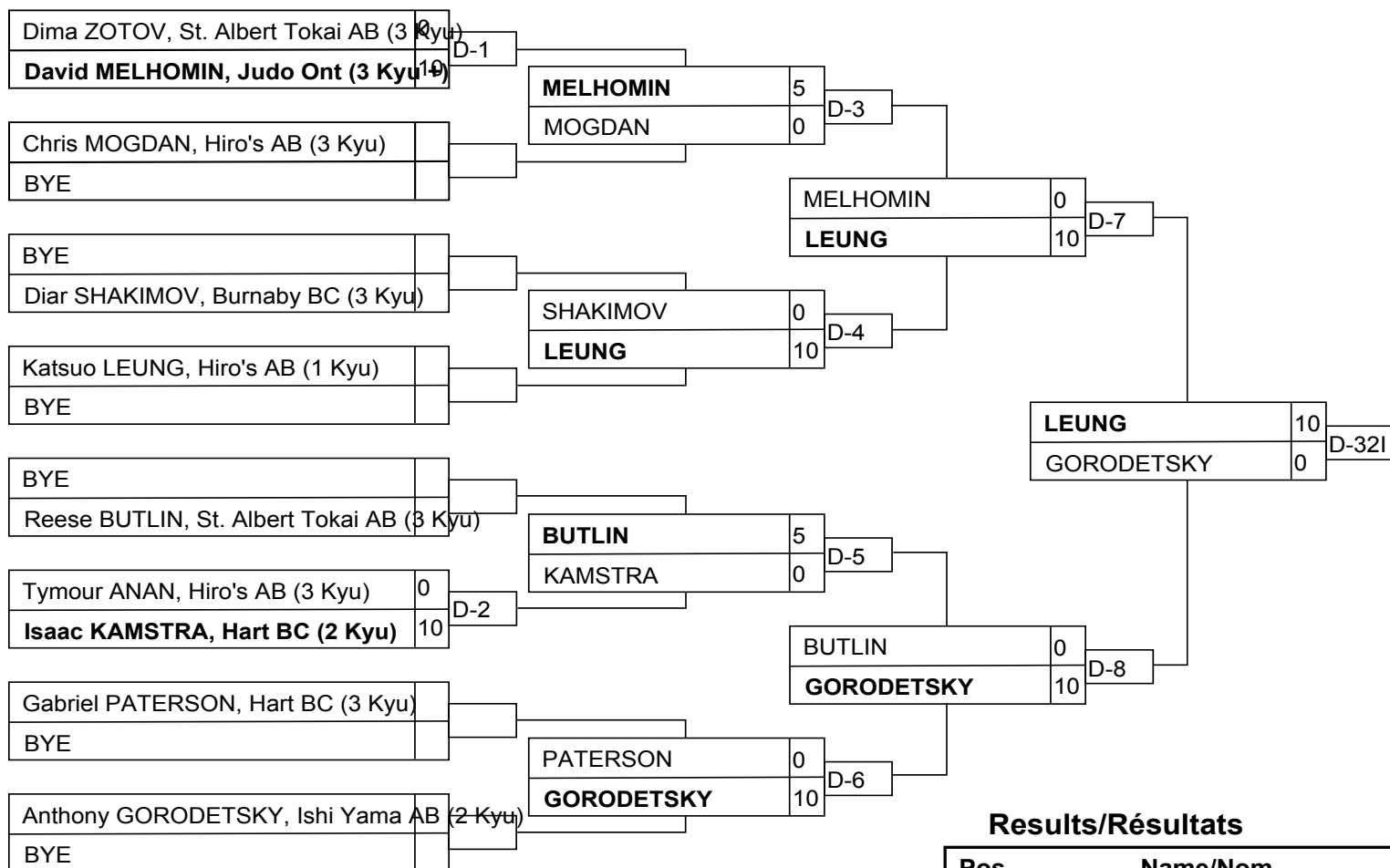
Match	White/Blanc	Blue/Bleu	Res/Rés	Tim/Tmp	Code
C-15	Aidan KEYES 5 6	Elijah GILL	0 - 10	2:32	IPO
C-25	Aidan KEYES 5 7	Eric LIVSHIZ	0 - 10	1:35	WIP
C-36	Elijah GILL 6 7	Eric LIVSHIZ	0 - 10	1:19	IPO



Results/Résultats

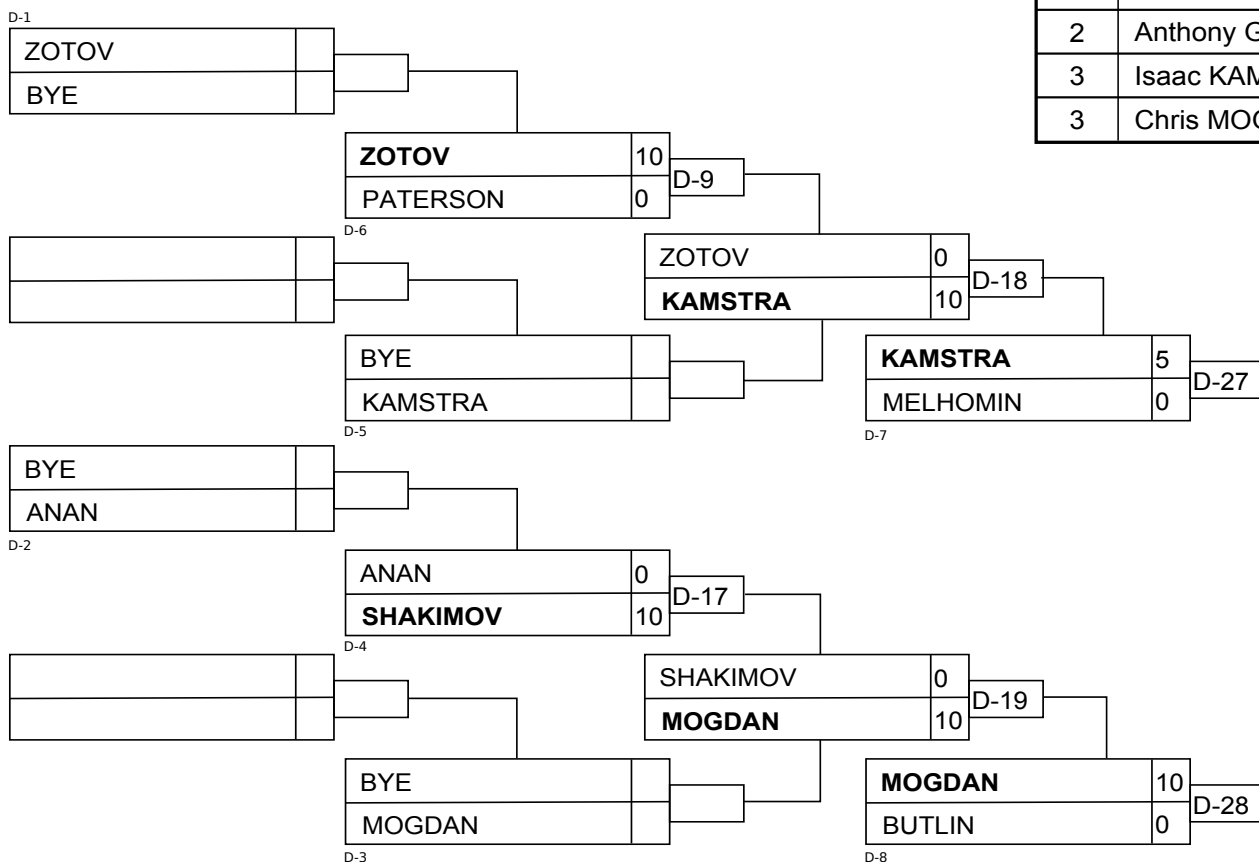
Pos	Name/Nom
1	Eric LIVSHIZ, Tritton CA USA
2	Elijah GILL, Abbotsford BC
3	Asher YOUNG, Hart BC
3	Joshua DARMADI, Nanaimo BC

U16 Men -50kg

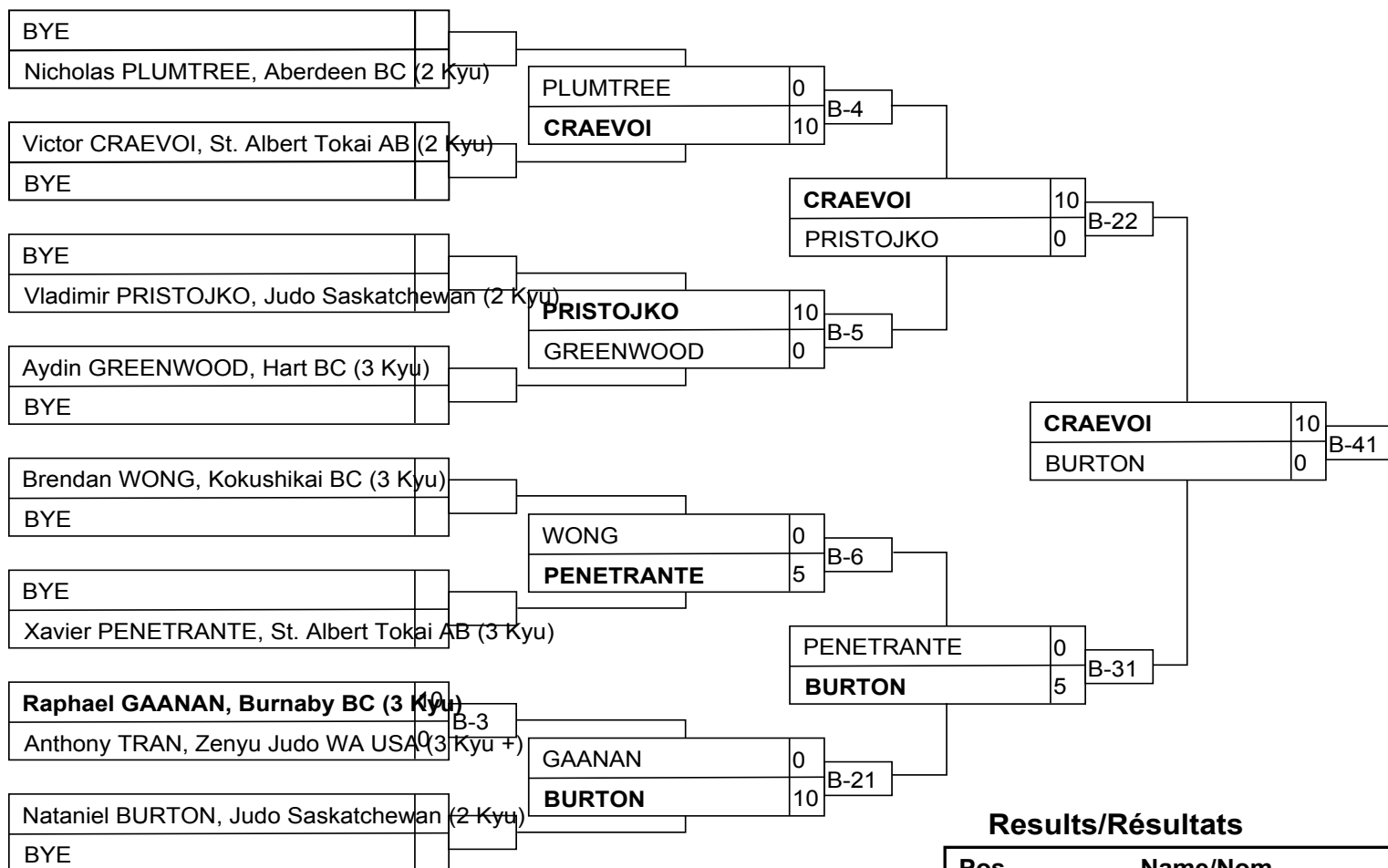


Results/Résultats

Pos	Name/Nom
1	Katsuo LEUNG, Hiro's AB (1 Kyu)
2	Anthony GORODETSKY, Ishi Yama AB
3	Isaac KAMSTRA, Hart BC (2 Kyu)
3	Chris MOGDAN, Hiro's AB (3 Kyu)

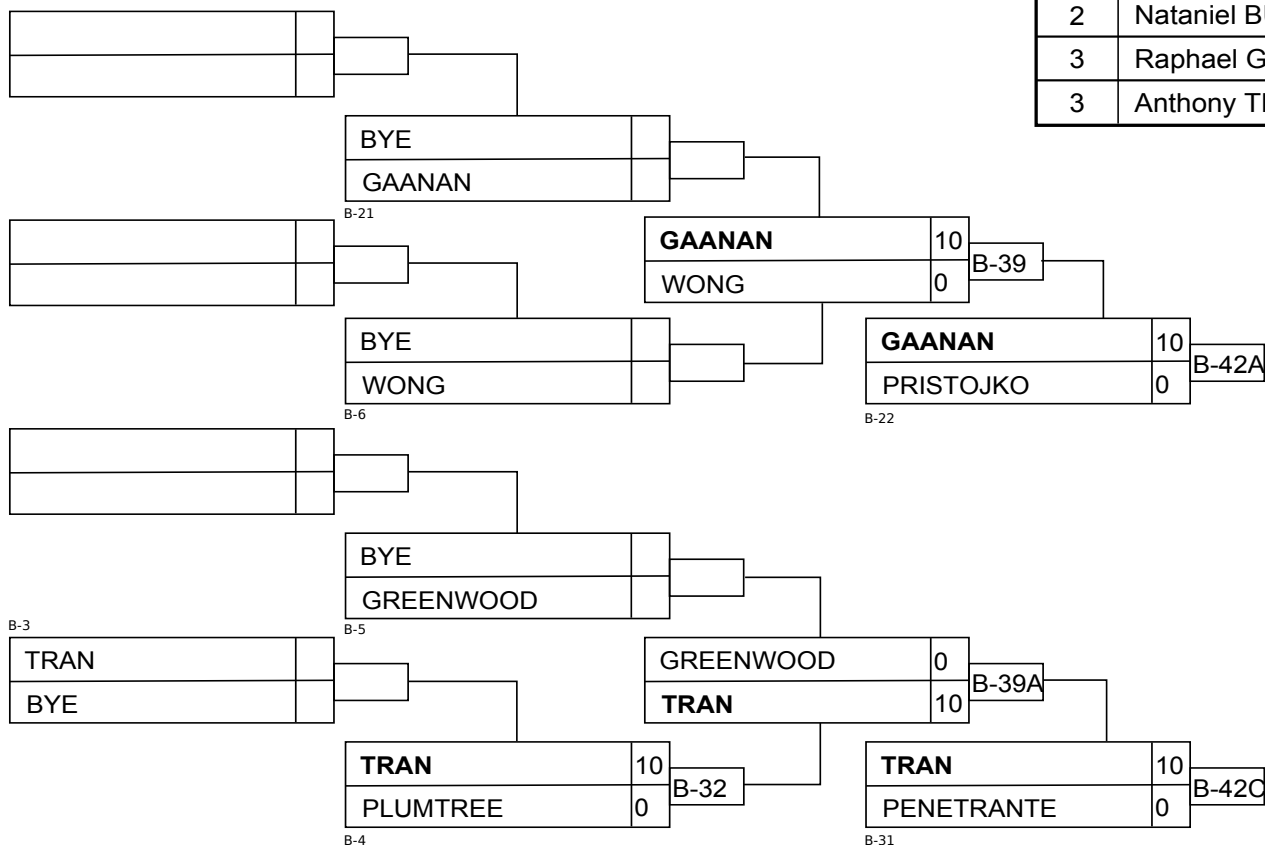


U16 Men -55kg



Results/Résultats

Pos	Name/Nom
1	Victor CRAEVOI, St. Albert Tokai AB (2 Kyu)
2	Nataniel BURTON, Judo Saskatchewan (2 Kyu)
3	Raphael GAANAN, Burnaby BC (3 Kyu)
3	Anthony TRAN, Zenyu Judo WA USA (3 Kyu +)



U16 Men -60kg

Competitors/Compétiteurs A

#	Name/Nom	Grade	Club	1	2	3	W/G	Pts	Pos
1	Hiromu YAMAGUCHI (60,00)	3 Kyu	Police Judo Junior BC	XX			0	0	3
2	Emil SCHENK (60,00)	1 Kyu	Burnaby BC	10	XX	10	2	20	1
3	Katsuji LEUNG (60,00)	1 Kyu	Hiro's AB	10		XX	1	10	2

Matches/Matchs A

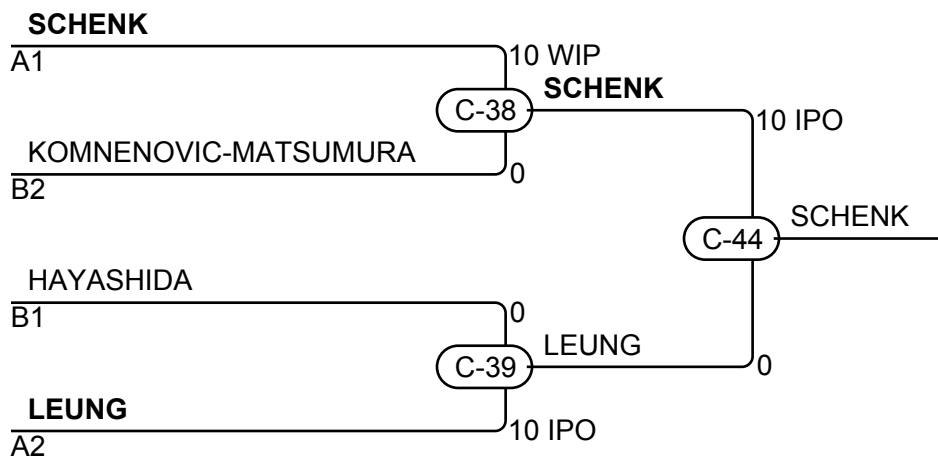
Match	White/Blanc	Blue/Bleu	Res/Rés	Tim/Tmp	Code
C-8	Hiromu YAMAGUCHI 1 2	Emil SCHENK	0 - 10	0:28	WIP
C-17	Hiromu YAMAGUCHI 1 3	Katsuji LEUNG	0 - 10	0:51	IPO
C-27	Emil SCHENK 2 3	Katsuji LEUNG	10 - 0	1:35	IPO

Competitors/Compétiteurs B

#	Name/Nom	Grade	Club	4	5	6	W/G	Pts	Pos
4	Nathaneal HAYASHIDA (66,00)	2 Kyu	Seattle Judo Dojo WA USA	XX	10		1	10	1
5	Kai KOMNENOVIC-MATSUMURA (60,00)	3 Kyu	Steveston BC		XX	10	1	10	2
6	Carter ALTHOUSE (60,00)	3 Kyu	Lethbridge Kyodokan AB	5		XX	1	5	3

Matches/Matchs B

Match	White/Blanc	Blue/Bleu	Res/Rés	Tim/Tmp	Code
C-9	Nathaneal HAYASHIDA 4 5	Kai KOMNENOVIC-MATSUMURA	10 - 0	2:30	WIP
C-18	Nathaneal HAYASHIDA 4 6	Carter ALTHOUSE	0 - 5	3:00	WAZ
C-28	Kai KOMNENOVIC-MATSUMURA 5 6	Carter ALTHOUSE	10 - 0	1:33	IPO



Results/Résultats

Pos	Name/Nom
1	Emil SCHENK, Burnaby BC
2	Katsuji LEUNG, Hiro's AB
3	Kai KOMNENOVIC-MATSUMURA, Steveston BC
3	Nathaneal HAYASHIDA, Seattle Judo Dojo WA USA

U16 Men -66kg

Competitors/Compétiteurs A

#	Name/Nom	Grade	Club	1	2	3	W/G	Pts	Pos
1	Nikola PETROVIC (66,00)	2 Kyu	Judo BC	XX	10		1	10	2
2	Zachary ROBSON (66,00)	3 Kyu	Kokushikai BC		XX		0	0	3
3	Andrew MICU (66,00)	2 Kyu	Hiro's AB	10	10	XX	2	20	1

Matches/Matches A

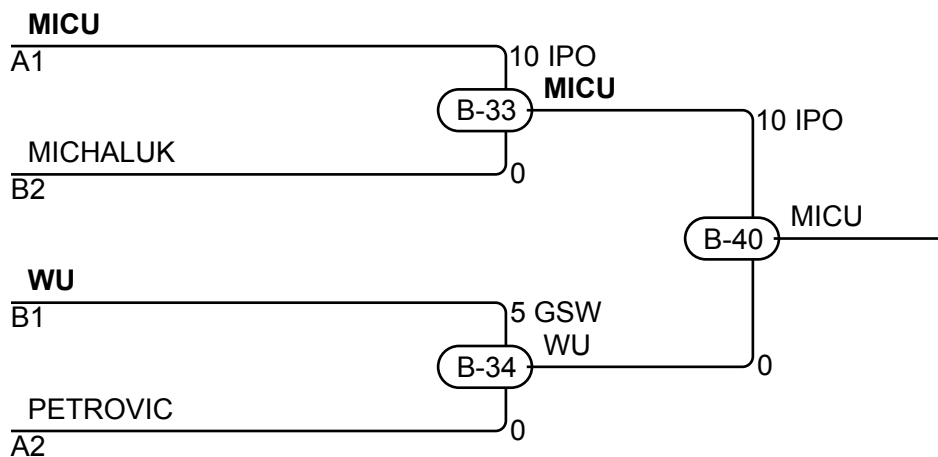
Match	White/Blanc	Blue/Bleu	Res/Rés	Tim/Tmp	Code
B-1	Nikola PETROVIC 1 2	Zachary ROBSON	10 - 0	0:43	WIP
B-13	Nikola PETROVIC 1 3	Andrew MICU	0 - 10	2:54	IPO
B-23	Zachary ROBSON 2 3	Andrew MICU	0 - 10	0:19	IPO

Competitors/Compétiteurs B

#	Name/Nom	Grade	Club	4	5	6	W/G	Pts	Pos
4	Alexander WU (66,00)	2 Kyu	Judo Alberta	XX	10	5	2	15	1
5	Alexander MICHALUK (66,00)	4 Kyu	Shidokai BC		XX	10	1	10	2
6	Michael AKBASHEV (66,00)	1 Kyu	West Kildonan MB			XX	0	0	3

Matches/Matches B

Match	White/Blanc	Blue/Bleu	Res/Rés	Tim/Tmp	Code
B-2	Alexander WU 4 5	Alexander MICHALUK	10 - 0	0:10	IPO
B-14	Alexander WU 4 6	Michael AKBASHEV	5 - 0	9:09	GSW
B-24	Alexander MICHALUK 5 6	Michael AKBASHEV	10 - 0	0:01	FUS



Results/Résultats

Pos	Name/Nom
1	Andrew MICU, Hiro's AB
2	Alexander WU, Judo Alberta
3	Alexander MICHALUK, Shidokai BC
3	Nikola PETROVIC, Judo BC

U16 Men -73kg

Competitors/Compétiteurs

#	Name/Nom	Grade	Club	1	2	3	W/G	Pts	Pos
1	Tighe MCASEY (73,00)	2 Kyu	Ishi Yama AB	XX	10	10	2	20	1
2	Shion CROOK (73,00)	2 Kyu	Hiro's AB		XX	10	1	10	2
3	Kai RICHARDSON (73,00)	3 Kyu	Williams Lake BC			XX	0	0	3

Matches/Matches

Match	White/Blanc			Blue/Bleu	Res/Rés	Tim/Tmp	Code
B-11	Tighe MCASEY	1	2	Shion CROOK	10 - 0	2:08	IPO
B-19	Tighe MCASEY	1	3	Kai RICHARDSON	10 - 0	3:00	IPO
B-29	Shion CROOK	2	3	Kai RICHARDSON	10 - 0	0:54	IPO

Results/Résultats

Pos	Name/Nom
1	Tighe MCASEY, Ishi Yama AB
2	Shion CROOK, Hiro's AB

U16 Men +73kg

Competitors/Compétiteurs

#	Name/Nom	Grade	Club	1	2	3	W/G	Pts	Pos
1	Pierce JING (73,00)	3 Kyu	Steveston BC	XX		10	1	10	2
2	Alexander MCCALLUM (73,00)	3 Kyu	Victoria BC	10	XX	10	2	20	1
3	Briac GUEZILLE (73,00)	3 Kyu	Ishikawa Family BC			XX	0	0	3

Matches/Matches

Match	White/Blanc			Blue/Bleu	Res/Rés	Tim/Tmp	Code
C-16	Pierce JING	1	2	Alexander MCCALLUM	0 - 10	0:20	IPO
C-26	Pierce JING	1	3	Briac GUEZILLE	10 - 0	0:15	IPO
C-37	Alexander MCCALLUM	2	3	Briac GUEZILLE	10 - 0	0:51	WIP

Results/Résultats

Pos	Name/Nom
1	Alexander MCCALLUM, Victoria BC
2	Pierce JING, Steveston BC

U16 Women -36kg

Competitors/Compétiteurs

#	Name/Nom	Grade	Club	1	2	1	2	1	2	W/G	Pts	Pos
1	Ekaterina DANILKOV (36,00)	3 Kyu	Judo BC	XX		XX		XX		0	0	2
2	Brynn IWAASA (36,00)	3 Kyu	Lethbridge Kyodokan AB	10	XX	10	XX		XX	2	20	1

Matches/Matches

Match	White/Blanc			Blue/Bleu	Res/Rés	Tim/Tmp	Code
C-10	Ekaterina DANILKOV	1	2	Brynn IWAASA	0 - 10	1:46	IPO
C-21	Brynn IWAASA	2	1	Ekaterina DANILKOV	10 - 0	0:01	KIK
C-31	Ekaterina DANILKOV	1	2	Brynn IWAASA			

Results/Résultats

Pos	Name/Nom
1	Brynn IWAASA, Lethbridge Kyodokan AB

U16 Women -40kg

Competitors/Compétiteurs A

#	Name/Nom	Grade	Club	1	2	3	W/G	Pts	Pos
1	Dakota SANZANA (40,00)	3 Kyu	Nanaimo BC	XX	10		1	10	2
2	Deverie NEWSTED (40,00)	4 Kyu	Judo Saskatchewan		XX		0	0	3
3	Aliya KOLIASKA (40,00)	3 Kyu	Lethbridge Kyodokan AB	10	10	XX	2	20	1

Matches/Matches A

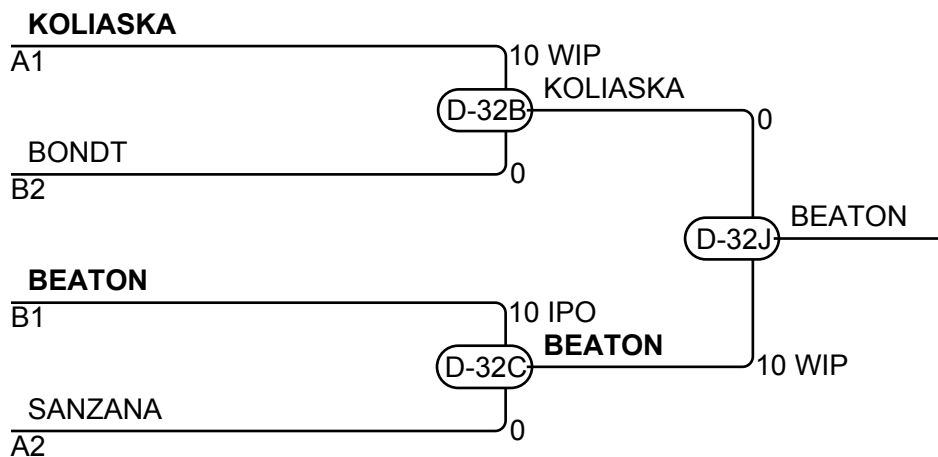
Match	White/Blanc	Blue/Bleu	Res/Rés	Tim/Tmp	Code
D-11	Dakota SANZANA	1 2 Deverie NEWSTED	10 - 0	1:19	KIK
D-18B	Dakota SANZANA	1 3 Aliya KOLIASKA	0 - 10	0:54	IPO
D-30	Deverie NEWSTED	2 3 Aliya KOLIASKA	0 - 10	0:01	FUS

Competitors/Compétiteurs B

#	Name/Nom	Grade	Club	4	5	6	W/G	Pts	Pos
4	Nadine BONDT (40,00)	4 Kyu +	Vernon BC	XX	5		1	5	2
5	Abigail SHEEHAN (40,00)	3 Kyu	Campbell River BC		XX		0	0	3
6	Evelyn BEATON (40,00)	2 Kyu	Lethbridge Kyodokan AB	10	10	XX	2	20	1

Matches/Matches B

Match	White/Blanc	Blue/Bleu	Res/Rés	Tim/Tmp	Code
D-12	Nadine BONDT	4 5 Abigail SHEEHAN	5 - 0	3:15	GSW
D-22	Nadine BONDT	4 6 Evelyn BEATON	0 - 10	0:12	IPO
D-31	Abigail SHEEHAN	5 6 Evelyn BEATON	0 - 10	0:09	IPO



Results/Résultats

Pos	Name/Nom
1	Evelyn BEATON, Lethbridge Kyodokan AB
2	Aliya KOLIASKA, Lethbridge Kyodokan AB
3	Nadine BONDT, Vernon BC
3	Dakota SANZANA, Nanaimo BC

U16 Women -44kg

Competitors/Compétiteurs

#	Name/Nom	Grade	Club	1	2	1	2	1	2	W/G	Pts	Pos
1	Olivia SHEEHAN (48,00)	2 Kyu	Campbell River BC	XX	10	XX	5	XX		2	15	1
2	Rylie CALDWELL (44,00)	1 Kyu	Lethbridge Kyodokan AB		XX		XX		XX	0	0	2

Matches/Matches

Match	White/Blanc			Blue/Bleu	Res/Rés	Tim/Tmp	Code
D-10	Olivia SHEEHAN	1	2	Rylie CALDWELL	10 - 0	2:20	WIP
D-18A	Rylie CALDWELL	2	1	Olivia SHEEHAN	0 - 5	3:00	WAZ
D-29	Olivia SHEEHAN	1	2	Rylie CALDWELL			

Results/Résultats

Pos	Name/Nom
1	Olivia SHEEHAN, Campbell River BC

U16 Women -48kg

Competitors/Compétiteurs

#	Name/Nom	Grade	Club	1	2	3	4	W/G	Pts	Pos
1	Cienna PENETRANTE (48,00)	3 Kyu	St. Albert Tokai AB	XX		10	10	2	20	2
2	Anna PRUS-CZARNECKA (48,00)	2 Kyu	Tokugawa AB	10	XX		10	2	20	1
3	Ayumi MORITA (48,00)	3 Kyu	Police Judo Junior BC		10	XX		1	10	3
4	Hailey KO (48,00)	3 Kyu	Burnaby BC			5	XX	1	5	3

Matches/Matches

Match	White/Blanc			Blue/Bleu	Res/Rés	Tim/Tmp	Code
A-10	Cienna PENETRANTE	1	2	Anna PRUS-CZARNECKA	0 - 10	0:40	IPO
A-11	Ayumi MORITA	3	4	Hailey KO	0 - 5	3:00	WAZ
A-20	Cienna PENETRANTE	1	3	Ayumi MORITA	10 - 0	0:42	IPO
A-21	Anna PRUS-CZARNECKA	2	4	Hailey KO	10 - 0	2:58	WIP
A-30	Cienna PENETRANTE	1	4	Hailey KO	10 - 0	1:26	WIP
A-31	Anna PRUS-CZARNECKA	2	3	Ayumi MORITA	0 - 10	0:24	WIP

Results/Résultats

Pos	Name/Nom
1	Anna PRUS-CZARNECKA, Tokugawa AB
2	Cienna PENETRANTE, St. Albert Tokai AB
3	Ayumi MORITA, Police Judo Junior BC
3	Hailey KO, Burnaby BC

U16 Women -52kg

Competitors/Compétiteurs A

#	Name/Nom	Grade	Club	1	2	3	W/G	Pts	Pos
1	Jasmine AL-ASHOOR (52,00)	3 Kyu	Arashi BC	XX		10	1	10	2
2	Marlin MARSTON (52,00)	3 Kyu	Nanaimo BC	10	XX	10	2	20	1
3	Dalya KASHKOUSH (52,00)	3 Kyu	St. Albert Tokai AB			XX	0	0	3

Matches/Matches A

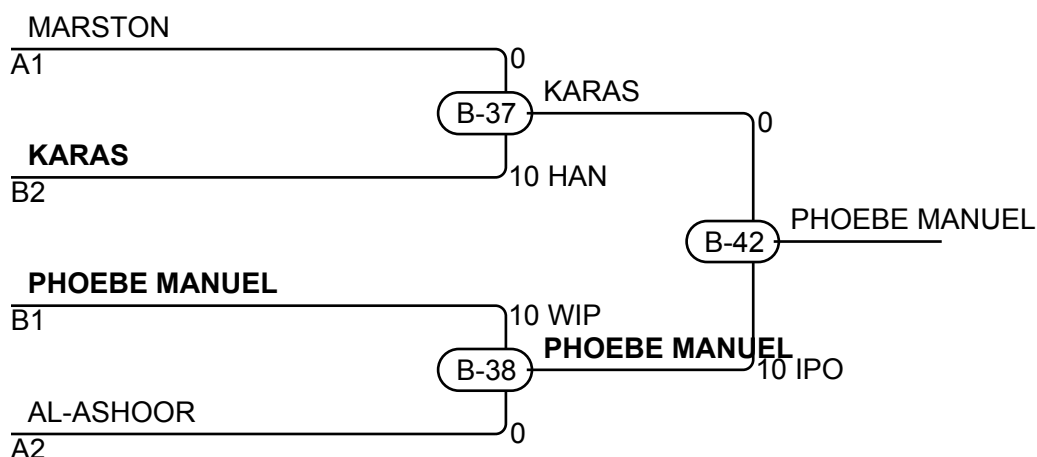
Match	White/Blanc	Blue/Bleu	Res/Rés	Tim/Tmp	Code
B-9	Jasmine AL-ASHOOR 1 2	Marlin MARSTON	0 - 10	2:55	IPO
B-17	Jasmine AL-ASHOOR 1 3	Dalya KASHKOUSH	10 - 0	0:22	IPO
B-27	Marlin MARSTON 2 3	Dalya KASHKOUSH	10 - 0	1:05	WIP

Competitors/Compétiteurs B

#	Name/Nom	Grade	Club	4	5	6	W/G	Pts	Pos
4	Isabella GREENE (52,00)	3 Kyu	Nanaimo BC	XX			0	0	3
5	Kondelia KARAS (52,00)	2 Kyu	Kodokwai AB	10	XX		1	10	2
6	Alyssandra PHOEBE MANUEL (52,00)	2 Kyu	Judo Ontario	10	10	XX	2	20	1

Matches/Matches B

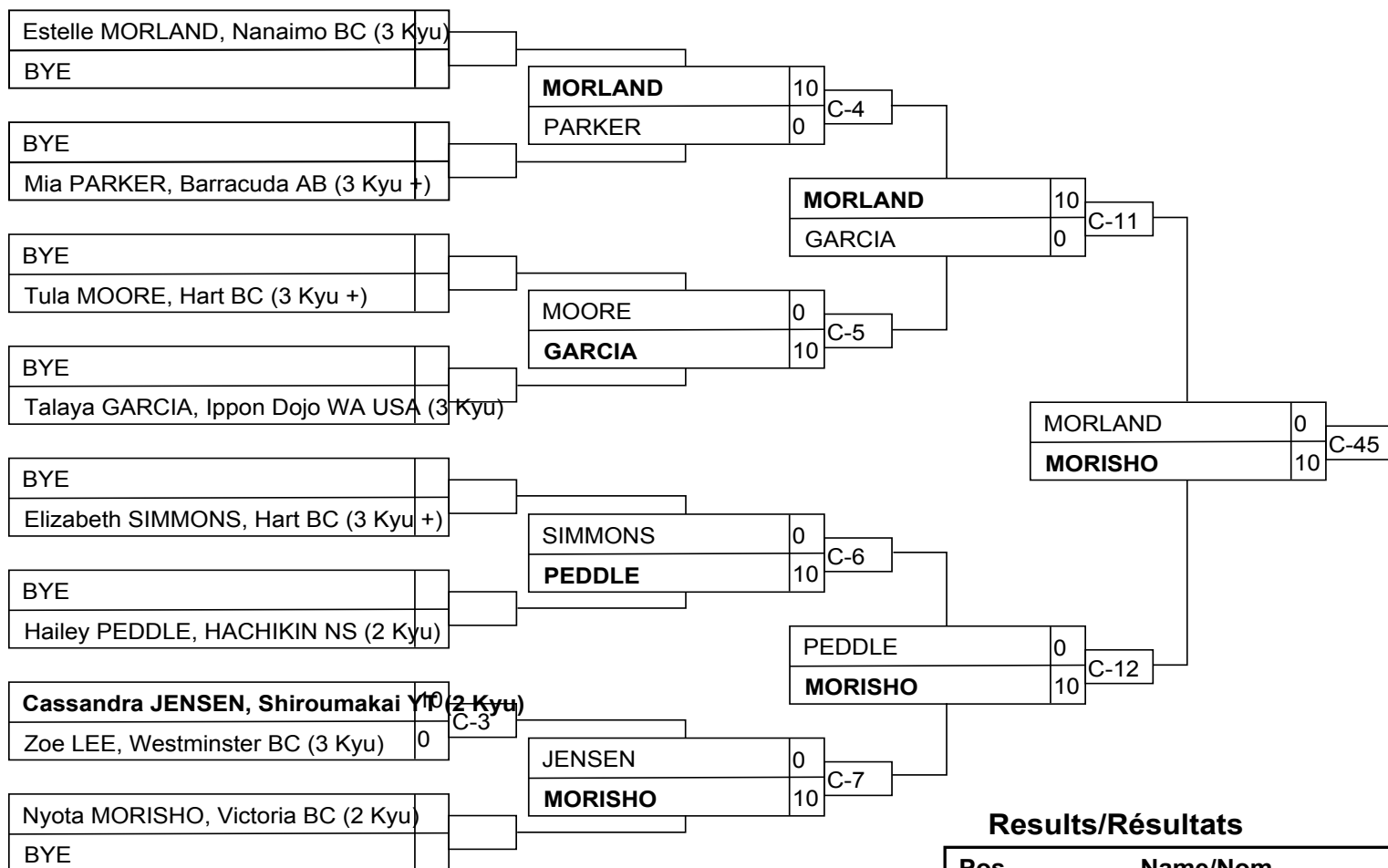
Match	White/Blanc	Blue/Bleu	Res/Rés	Tim/Tmp	Code
B-10	Isabella GREENE 4 5	Kondelia KARAS	0 - 10	2:35	HAN
B-18	Isabella GREENE 4 6	Alyssandra PHOEBE MANUEL	0 - 10	0:42	WIP
B-28	Kondelia KARAS 5 6	Alyssandra PHOEBE MANUEL	0 - 10	1:54	IPO



Results/Résultats

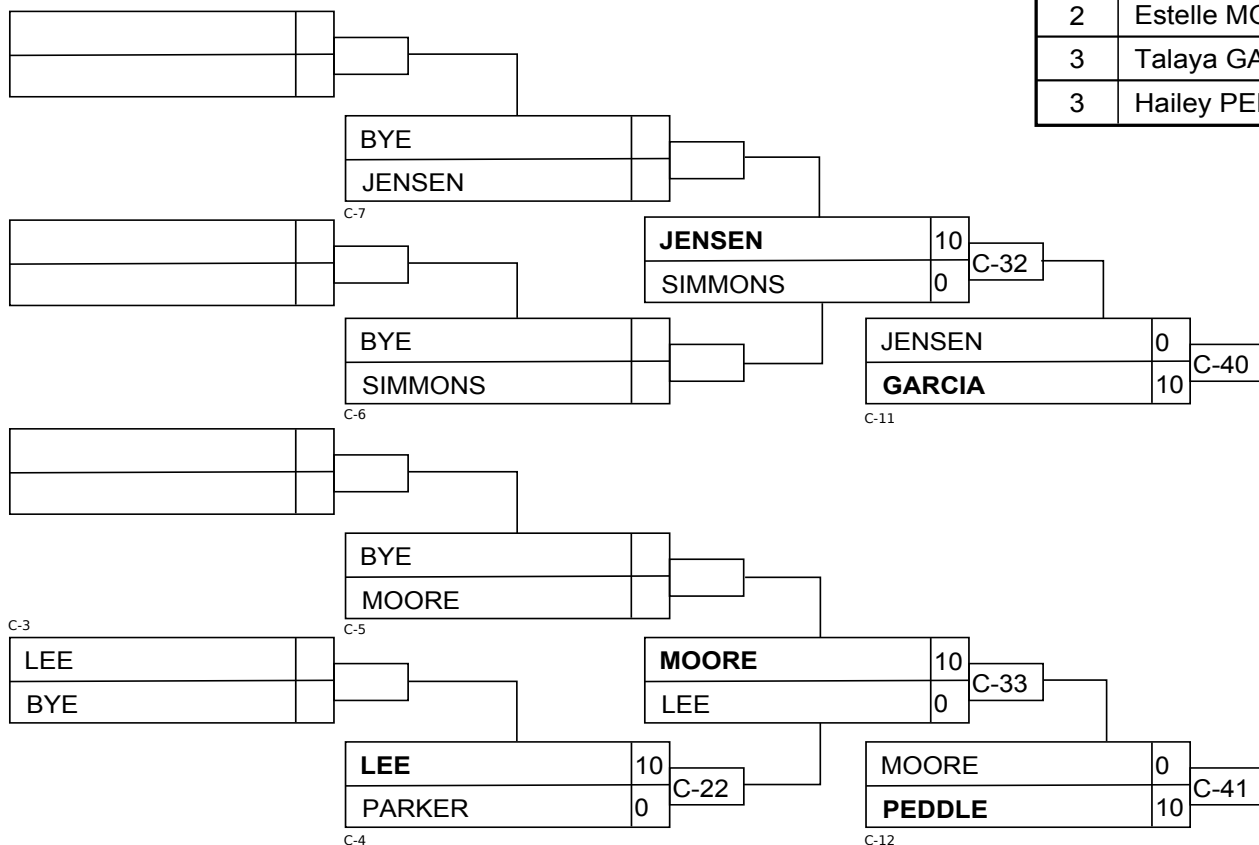
Pos	Name/Nom
1	Alyssandra PHOEBE MANUEL, Judo Ontario
2	Kondelia KARAS, Kodokwai AB
3	Marlin MARSTON, Nanaimo BC
3	Jasmine AL-ASHOOR, Arashi BC

U16 Women -57kg



Results/Résultats

Pos	Name/Nom
1	Nyota MORISHO, Victoria BC (2 Kyu)
2	Estelle MORLAND, Nanaimo BC (3 Kyu)
3	Talaya GARCIA, Ippon Dojo WA USA (3 Kyu)
3	Hailey PEDDLE, HACHIKIN NS (2 Kyu)



U16 Women -70kg

Competitors/Compétiteurs A

#	Name/Nom	Grade	Club	1	2	3	4	W/G	Pts	Pos
1	Yana JACOBS (70,00)	3 Kyu	Campbell River BC	XX			10	1	10	3
2	Sydney EDGSON (63,00)	1 Kyu	Prince George BC	10	XX	10	10	3	30	1
3	Coralea PIENKOWSKI (63,00)	2 Kyu	Lethbridge Kyodokan AB	10		XX	10	2	20	2
4	Amanda RASOUMOFF (63,00)	2 Kyu	Emerald City WA USA				XX	0	0	4

Matches/Matches A

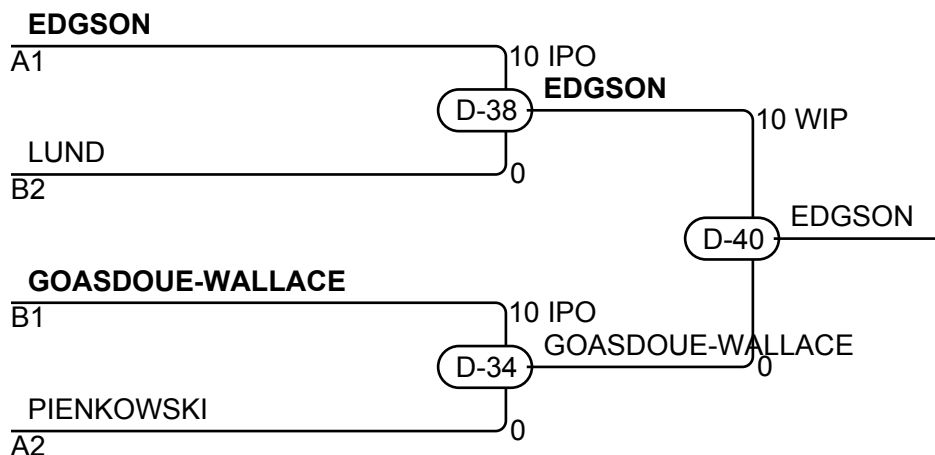
Match	White/Blanc			Blue/Bleu	Res/Rés	Tim/Tmp	Code
D-13	Yana JACOBS	1	2	Sydney EDGSON	0 - 10	0:31	IPO
D-23	Coralea PIENKOWSKI	3	4	Amanda RASOUMOFF	10 - 0	1:04	KIK
D-32A	Yana JACOBS	1	3	Coralea PIENKOWSKI	0 - 10	1:26	WIP
D-33	Sydney EDGSON	2	4	Amanda RASOUMOFF	10 - 0	0:01	KIK
D-32G	Yana JACOBS	1	4	Amanda RASOUMOFF	10 - 0	0:01	KIK
D-2	Sydney EDGSON	2	3	Coralea PIENKOWSKI	10 - 0	2:39	WIP

Competitors/Compétiteurs B

#	Name/Nom	Grade	Club	5	6	7	W/G	Pts	Pos
5	Kaylin AGASSIZ (63,00)	3 Kyu	Abbotsford BC	XX			0	0	3
6	Tianna LUND (63,00)	3 Kyu	Campbell River BC	10	XX		1	10	2
7	Greta GOASDOUE-WALLACE (62,00)	2 Kyu	Hiro's AB	10	10	XX	2	20	1

Matches/Matches B

Match	White/Blanc			Blue/Bleu	Res/Rés	Tim/Tmp	Code
D-32	Kaylin AGASSIZ	5	6	Tianna LUND	0 - 10	0:47	IPO
D-32H	Kaylin AGASSIZ	5	7	Greta GOASDOUE-WALLACE	0 - 10	0:33	IPO
D-14A	Tianna LUND	6	7	Greta GOASDOUE-WALLACE	0 - 10	3:18	GSI



Results/Résultats

Pos	Name/Nom
1	Sydney EDGSON, Prince George BC
2	Greta GOASDOUE-WALLACE, Hiro's AB
3	Tianna LUND, Campbell River BC
3	Coralea PIENKOWSKI, Lethbridge Kyodokan AB

U16 Women +70kg

Competitors/Compétiteurs

#	Name/Nom	Grade	Club	1	2	3	W/G	Pts	Pos
1	Dakota WEBB (70,00)	3 Kyu	Kokushikai BC	XX			0	0	3
2	Emilie TOWNSEND (70,00)	2 Kyu	HACHIKIN NS	10	XX		1	10	2
3	Janessa KEAYS (70,00)	3 Kyu	Judo Saskatchewan	10	10	XX	2	20	1

Matches/Matches

Match	White/Blanc			Blue/Bleu	Res/Rés	Tim/Tmp	Code
B-12	Dakota WEBB	1	2	Emilie TOWNSEND	0 - 10	5:08	GSI
B-20	Dakota WEBB	1	3	Janessa KEAYS	0 - 10	0:09	IPO
B-30	Emilie TOWNSEND	2	3	Janessa KEAYS	0 - 10	1:23	IPO

Results/Résultats

Pos	Name/Nom
1	Janessa KEAYS, Judo Saskatchewan
2	Emilie TOWNSEND, HACHIKIN NS