

U14 Men -34kg

Competitors/Compétiteurs

#	Name/Nom	Grade	Club	1	2	3	4	5	W/G	Pts	Pos
1	Linus FRIZELL (34,00)	4 Kyu +	Hart BC	XX					0	0	5
2	James CHOW (34,00)	4 Kyu	Nakashima Dojo BC	10	XX				1	10	3
3	Tayven TREMBLAY (34,00)	3 Kyu +	St. Albert Tokai AB	10	10	XX	10	10	4	40	1
4	Arron BOULDING (34,00)	3 Kyu	Nanaimo BC	10	10		XX	10	3	30	2
5	Zackery JOE (34,00)	4 Kyu	Burnaby BC	10	10			XX	2	20	3

Matches/Matches

Match	White/Blanc			Blue/Bleu	Res/Rés	Tim/Tmp	Code
D-57	Arron BOULDING	4	5	Zackery JOE	10 - 0	1:22	WIP
D-58	Linus FRIZELL	1	2	James CHOW	0 - 10	3:00	IPO
D-59	Tayven TREMBLAY	3	4	Arron BOULDING	10 - 0	0:29	WIP
D-62	Linus FRIZELL	1	5	Zackery JOE	0 - 10	0:53	IPO
D-61	James CHOW	2	3	Tayven TREMBLAY	0 - 10	0:04	IPO
D-68	Linus FRIZELL	1	4	Arron BOULDING	0 - 10	0:39	IPO
D-73	Tayven TREMBLAY	3	5	Zackery JOE	10 - 0	1:50	IPO
D-75	James CHOW	2	4	Arron BOULDING	0 - 10	0:26	IPO
D-80	Linus FRIZELL	1	3	Tayven TREMBLAY	0 - 10	0:26	WIP
D-81	James CHOW	2	5	Zackery JOE	0 - 10	1:54	WIP

Results/Résultats

Pos	Name/Nom
1	Tayven TREMBLAY, St. Albert Tokai AB
2	Arron BOULDING, Nanaimo BC
3	Zackery JOE, Burnaby BC
3	James CHOW, Nakashima Dojo BC

U14 Men -38kg

Competitors/Compétiteurs

#	Name/Nom	Grade	Club	1	2	3	4	W/G	Pts	Pos
1	Carter HARRIS (38,00)	4 Kyu +	Abbotsford BC	XX	10			1	10	3
2	Peter VELONAS (38,00)	3 Kyu	Arashi BC		XX			0	0	3
3	Brad YAMASHITA (38,00)	2 Kyu +	Zenyu WA USA	10	10	XX		2	20	2
4	Keenan HANEARIN-BALCZER (38,00)		Hiro's AB	10	10	10	XX	3	30	1

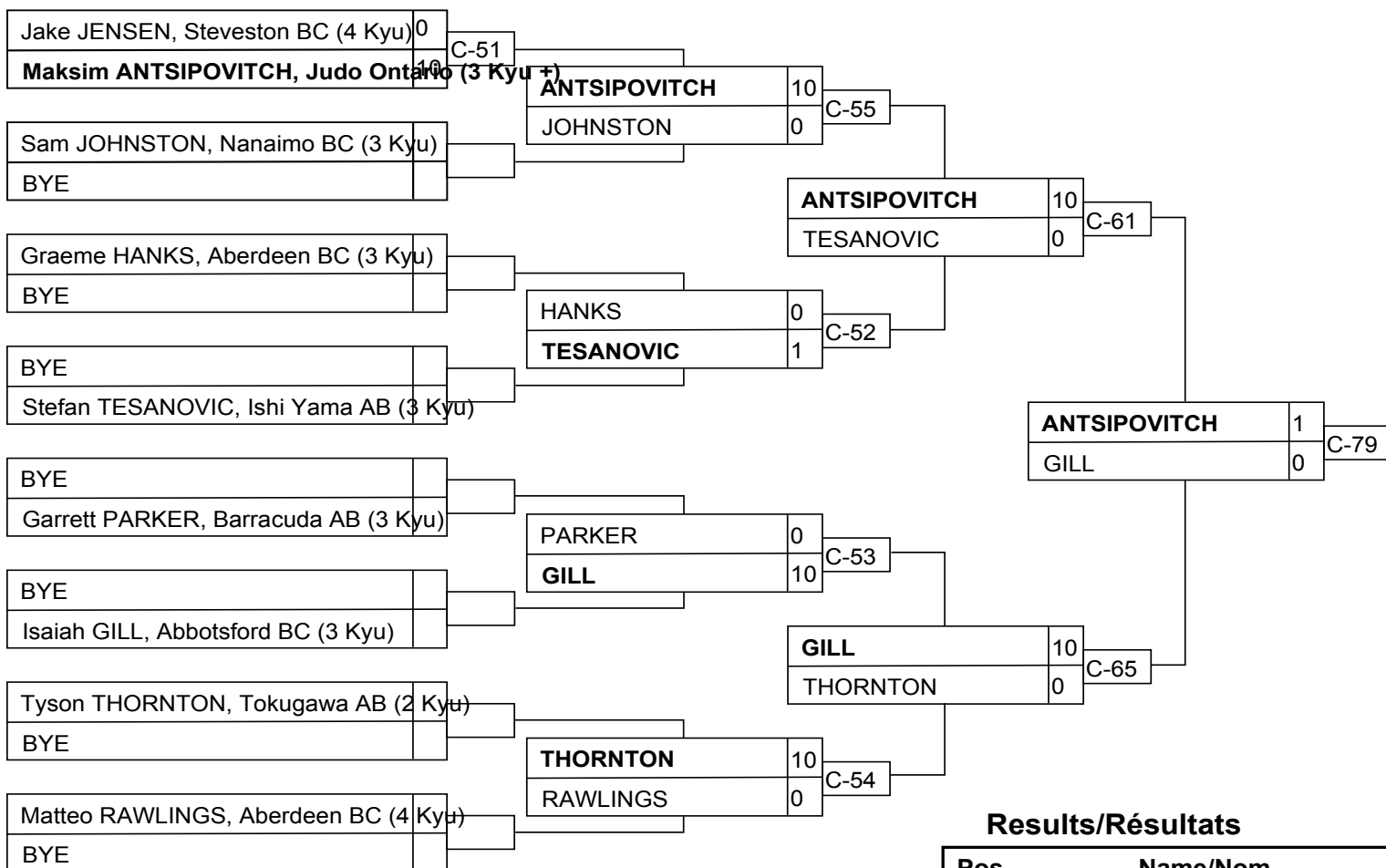
Matches/Matches

Match	White/Blanc			Blue/Bleu	Res/Rés	Tim/Tmp	Code
B-63	Carter HARRIS	1	2	Peter VELONAS	10 - 0	0:51	IPO
B-64	Brad YAMASHITA	3	4	Keenan HANEARIN-BALCZER	0 - 10	1:00	WIP
B-70	Carter HARRIS	1	3	Brad YAMASHITA	0 - 10	1:24	WIP
B-71	Peter VELONAS	2	4	Keenan HANEARIN-BALCZER	0 - 10	0:43	WIP
B-77	Carter HARRIS	1	4	Keenan HANEARIN-BALCZER	0 - 10	0:36	WIP
B-78	Peter VELONAS	2	3	Brad YAMASHITA	0 - 10	0:39	IPO

Results/Résultats

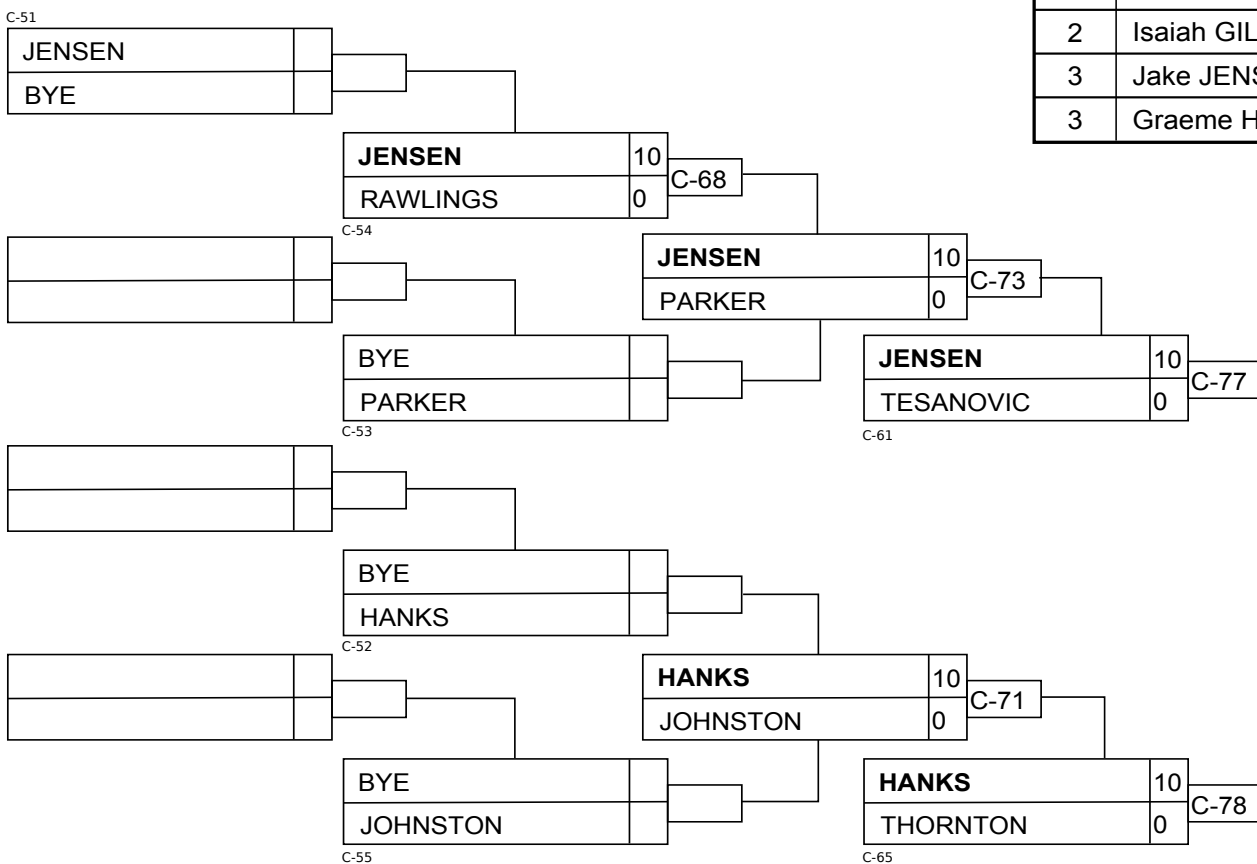
Pos	Name/Nom
1	Keenan HANEARIN-BALCZER, Hiro's AB
2	Brad YAMASHITA, Zenyu WA USA
3	Carter HARRIS, Abbotsford BC

U14 Men -42kg



Results/Résultats

Pos	Name/Nom
1	Maksim ANTSEPOVITCH, Judo Ontario
2	Isaiah GILL, Abbotsford BC (3 Kyu)
3	Jake JENSEN, Steveston BC (4 Kyu)
3	Graeme HANKS, Aberdeen BC (3 Kyu)



U14 Men -46kg

Competitors/Compétiteurs A

#	Name/Nom	Grade	Club	1	2	3	4	W/G	Pts	Pos
1	Maxwell BROWN (46,00)	4 Kyu	Airdrie Eidokan AB	XX	10			1	10	3
2	Omar KASHKOUSH (46,00)	3 Kyu	St. Albert Tokai AB		XX			0	0	4
3	Elijah GILL (46,00)	3 Kyu	Abbotsford BC	10	10	XX		2	20	2
4	Ethan CAJIGAS (46,00)	4 Kyu	Steveston BC	10	10	5	XX	3	25	1

Matches/Matches A

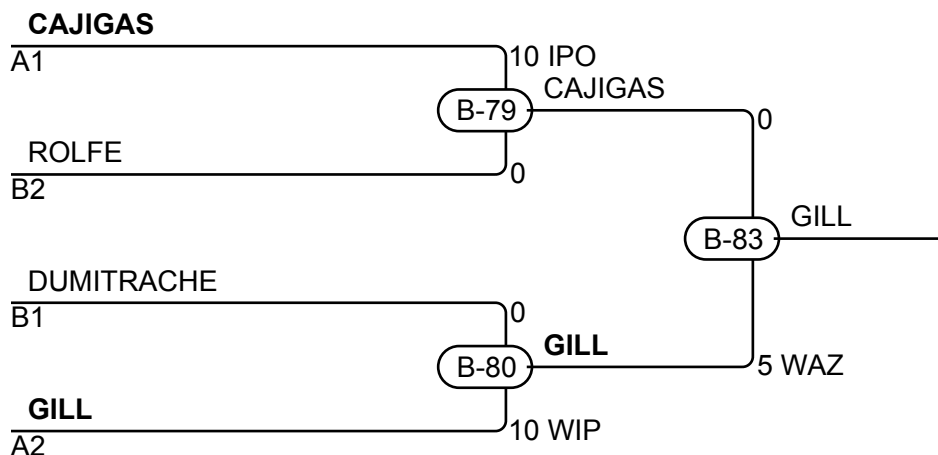
Match	White/Blanc	Blue/Bleu	Res/Rés	Tim/Tmp	Code
B-58	Maxwell BROWN	1 Omar KASHKOUSH	10 - 0	1:59	IPO
B-59	Elijah GILL	3 Ethan CAJIGAS	0 - 5	3:00	WAZ
B-65	Maxwell BROWN	1 Elijah GILL	0 - 10	2:30	WIP
B-66	Omar KASHKOUSH	2 Ethan CAJIGAS	0 - 10	2:58	WIP
B-72	Maxwell BROWN	1 Ethan CAJIGAS	0 - 10	2:21	WIP
B-73	Omar KASHKOUSH	2 Elijah GILL	0 - 10	1:24	IPO

Competitors/Compétiteurs B

#	Name/Nom	Grade	Club	5	6	7	W/G	Pts	Pos
5	Troy GALLANT (46,00)	3 Kyu	Lethbridge Kyodokan AB	XX			0	0	3
6	Nathan ROLFE (46,00)	2 Kyu	Ishi Yama AB	10	XX		1	10	2
7	Andrei DUMITRACHE (46,00)	4 Kyu	Abbotsford BC	10	1	XX	2	11	1

Matches/Matches B

Match	White/Blanc	Blue/Bleu	Res/Rés	Tim/Tmp	Code
B-60	Troy GALLANT	5 Nathan ROLFE	0 - 10	3:00	HAN
B-67	Troy GALLANT	5 Andrei DUMITRACHE	0 - 10	0:16	IPO
B-74	Nathan ROLFE	6 Andrei DUMITRACHE	0 - 1	3:00	YUS



Results/Résultats

Pos	Name/Nom
1	Elijah GILL, Abbotsford BC
2	Ethan CAJIGAS, Steveston BC
3	Nathan ROLFE, Ishi Yama AB
3	Andrei DUMITRACHE, Abbotsford BC

U14 Men -50kg

Competitors/Compétiteurs

#	Name/Nom	Grade	Club	1	2	3	4	5	W/G	Pts	Pos
1	Alexander SONG (46,00)	4 Kyu	Elite Olympic MA BC	XX					0	0	5
2	David MELKONIAN (50,00)	3 Kyu +	Judo Ontario	10	XX	5	1	5	4	21	1
3	Anthony GORODETSKY (50,00)	2 Kyu	Ishi Yama AB	10		XX	10	10	3	30	2
4	Diar SHAKIMOV (50,00)	3 Kyu	Burnaby BC	10			XX	1	2	11	3
5	Dumitru TARITA (50,00)	3 Kyu	Westminster BC	10				XX	1	10	3

Matches/Matches

Match	White/Blanc			Blue/Bleu	Res/Rés	Tim/Tmp	Code
A-61	Diar SHAKIMOV	4	5	Dumitru TARITA	1 - 0	3:00	YUS
A-62	Alexander SONG	1	2	David MELKONIAN	0 - 10	0:42	KIK
A-65	Anthony GORODETSKY	3	4	Diar SHAKIMOV	10 - 0	0:39	IPO
A-63	Alexander SONG	1	5	Dumitru TARITA	0 - 10	0:01	KIK
A-70	David MELKONIAN	2	3	Anthony GORODETSKY	5 - 0	3:00	WAZ
A-69	Alexander SONG	1	4	Diar SHAKIMOV	0 - 10	0:01	KIK
A-78	Anthony GORODETSKY	3	5	Dumitru TARITA	10 - 0	0:40	WIP
A-79	David MELKONIAN	2	4	Diar SHAKIMOV	1 - 0	3:00	YUS
A-86	Alexander SONG	1	3	Anthony GORODETSKY	0 - 10	0:01	KIK
A-87	David MELKONIAN	2	5	Dumitru TARITA	5 - 0	3:00	WAZ

Results/Résultats

Pos	Name/Nom
1	David MELKONIAN, Judo Ontario
2	Anthony GORODETSKY, Ishi Yama AB
3	Diar SHAKIMOV, Burnaby BC
3	Dumitru TARITA, Westminster BC

U14 Men -60kg

Competitors/Compétiteurs

#	Name/Nom	Grade	Club	1	2	3	4	W/G	Pts	Pos
1	Maanit SHARMA (55,00)	4 Kyu	Steveston BC	XX				0	0	3
2	Ryu TAMAYOSE (55,00)	4 Kyu	Steveston BC	10	XX			1	10	3
3	Raphael GAANAN (55,00)	3 Kyu	Burnaby BC	10	10	XX	10	3	30	1
4	Matthew MOLSKI (60,00)	4 Kyu	White Rock BC	10	10		XX	2	20	2

Matches/Matches

Match	White/Blanc			Blue/Bleu	Res/Rés	Tim/Tmp	Code
A-74	Maanit SHARMA	1	2	Ryu TAMAYOSE	0 - 10	2:02	IPO
A-75	Raphael GAANAN	3	4	Matthew MOLSKI	10 - 0	0:10	IPO
A-82	Maanit SHARMA	1	3	Raphael GAANAN	0 - 10	0:14	IPO
A-83	Ryu TAMAYOSE	2	4	Matthew MOLSKI	0 - 10	0:24	WIP
A-90	Maanit SHARMA	1	4	Matthew MOLSKI	0 - 10	0:28	IPO
A-91	Ryu TAMAYOSE	2	3	Raphael GAANAN	0 - 10	0:09	IPO

Results/Résultats

Pos	Name/Nom
1	Raphael GAANAN, Burnaby BC
2	Matthew MOLSKI, White Rock BC
3	Ryu TAMAYOSE, Steveston BC

U14 Men -66kg

Competitors/Compétiteurs

#	Name/Nom	Grade	Club	1	2	1	2	1	2	W/G	Pts	Pos
1	Suliac GUEZILLE (66,00)	3 Kyu	Ishikawa Family BC	XX		XX		XX		0	0	2
2	Maximilian SHTCHENIOFF (66,00)	3 Kyu	Judo Ontario	10	XX	10	XX		XX	2	20	1

Matches/Matches

Match	White/Blanc			Blue/Bleu	Res/Rés	Tim/Tmp	Code
D-72	Suliac GUEZILLE	1	2	Maximilian SHTCHENIOFF	0 - 10	0:51	IPO
D-79	Maximilian SHTCHENIOFF	2	1	Suliac GUEZILLE	10 - 0	0:40	IPO
D-86	Suliac GUEZILLE	1	2	Maximilian SHTCHENIOFF			

Results/Résultats

Pos	Name/Nom
1	Maximilian SHTCHENIOFF, Judo Ontario

U14 Women -36kg

Competitors/Compétiteurs

#	Name/Nom	Grade	Club	1	2	3	W/G	Pts	Pos
1	Tegan WESTLAKE (36,00)	3 Kyu	Judo Alberta	XX			0	0	3
2	Rory ROSS (36,00)	3 Kyu	Lethbridge Kyodokan AB	10	XX		1	10	2
3	Ekaterina DANILKOV (36,00)	4 Kyu	Judo BC	10	10	XX	2	20	1

Matches/Matches

Match	White/Blanc			Blue/Bleu	Res/Rés	Tim/Tmp	Code
A-68	Tegan WESTLAKE	1	2	Rory ROSS	0 - 10	1:58	IPO
A-77	Tegan WESTLAKE	1	3	Ekaterina DANILKOV	0 - 10	0:13	IPO
A-85	Rory ROSS	2	3	Ekaterina DANILKOV	0 - 10	2:24	HAN

Results/Résultats

Pos	Name/Nom
1	Ekaterina DANILKOV, Judo BC
2	Rory ROSS, Lethbridge Kyodokan AB

U14 Women -40kg

Competitors/Compétiteurs A

#	Name/Nom	Grade	Club	1	2	3	W/G	Pts	Pos
1	Dakota SANZANA (40,00)	3 Kyu	Nanaimo BC	XX	10	10	2	20	1
2	Athena DAVIS (40,00)	4 Kyu +	Zenyu WA USA		XX	10	1	10	2
3	Nova ROTBART (40,00)	4 Kyu +	Burnaby BC			XX	0	0	3

Matches/Matches A

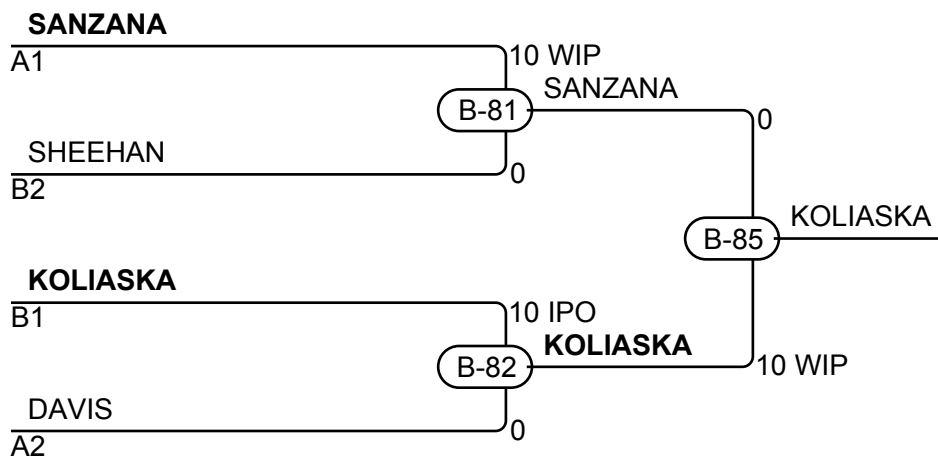
Match	White/Blanc	Blue/Bleu	Res/Rés	Tim/Tmp	Code
B-61	Dakota SANZANA	1 2 Athena DAVIS	10 - 0	1:19	IPO
B-68	Dakota SANZANA	1 3 Nova ROTBART	10 - 0	2:00	IPO
B-75	Athena DAVIS	2 3 Nova ROTBART	10 - 0	2:25	HAN

Competitors/Compétiteurs B

#	Name/Nom	Grade	Club	4	5	6	W/G	Pts	Pos
4	Clara KENYON (40,00)	4 Kyu	Revelstoke BC	XX			0	0	3
5	Abigail SHEEHAN (40,00)	3 Kyu	Campbell River BC	10	XX		1	10	2
6	Aliya KOLIASKA (40,00)	3 Kyu	Lethbridge Kyodokan AB	10	10	XX	2	20	1

Matches/Matches B

Match	White/Blanc	Blue/Bleu	Res/Rés	Tim/Tmp	Code
B-62	Clara KENYON	4 5 Abigail SHEEHAN	0 - 10	0:19	IPO
B-69	Clara KENYON	4 6 Aliya KOLIASKA	0 - 10	0:20	IPO
B-76	Abigail SHEEHAN	5 6 Aliya KOLIASKA	0 - 10	0:56	WIP



Results/Résultats

Pos	Name/Nom
1	Aliya KOLIASKA, Lethbridge Kyodokan AB
2	Dakota SANZANA, Nanaimo BC
3	Abigail SHEEHAN, Campbell River BC
3	Athena DAVIS, Zenyu WA USA

U14 Women -44kg

Competitors/Compétiteurs

#	Name/Nom	Grade	Club	1	2	1	2	1	2	W/G	Pts	Pos
1	Cleea STRAKLEVSKI (44,00)	2 Kyu	Judo Ontario	XX	10	XX	10	XX		2	20	1
2	Kylee ESPARBES (44,00)	4 Kyu +	Steveston BC		XX		XX		XX	0	0	2

Matches/Matches

Match	White/Blanc			Blue/Bleu	Res/Rés	Tim/Tmp	Code
A-64	Cleea STRAKLEVSKI	1	2	Kylee ESPARBES	10 - 0	1:06	WIP
A-76	Kylee ESPARBES	2	1	Cleea STRAKLEVSKI	0 - 10	0:42	WIP
A-84	Cleea STRAKLEVSKI	1	2	Kylee ESPARBES			

Results/Résultats

Pos	Name/Nom
1	Cleea STRAKLEVSKI, Judo Ontario

U14 Women -48kg

Competitors/Compétiteurs A

#	Name/Nom	Grade	Club	1	2	3	4	W/G	Pts	Pos
1	Mckinna MORRISON (48,00)	2 Kyu	Ishi Yama AB	XX	10	10	5	3	25	1
2	Michelle LOPEZ (48,00)	3 Kyu	Judo Ontario		XX	10		1	10	3
3	Brecklyn VEALE (48,00)	3 Kyu	Lethbridge Kyodokan AB			XX		0	0	4
4	Beata SCHENK (44,00)	4 Kyu +	Burnaby BC		1	5	XX	2	6	2

Matches/Matches A

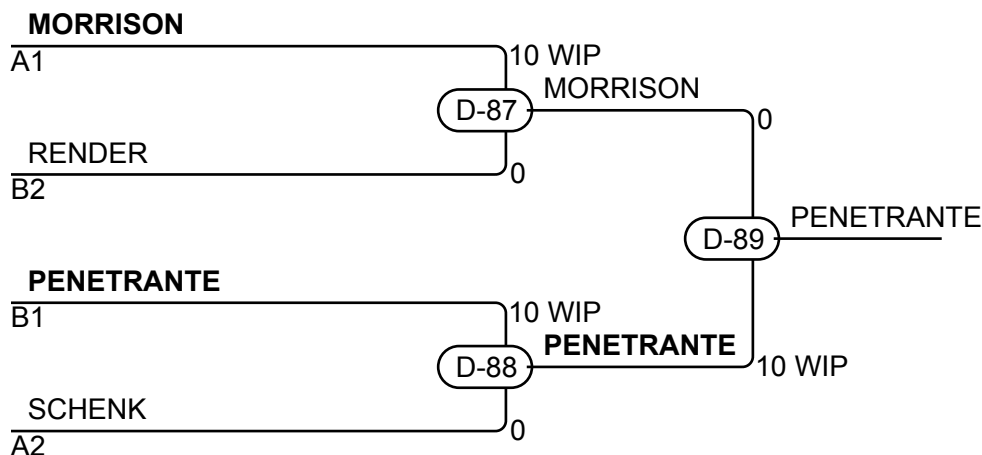
Match	White/Blanc	Blue/Bleu	Res/Rés	Tim/Tmp	Code
D-60	Mckinna MORRISON	Michelle LOPEZ	10 - 0	1:40	WIP
D-66	Brecklyn VEALE	Beata SCHENK	0 - 5	3:00	WAZ
D-74	Mckinna MORRISON	Brecklyn VEALE	10 - 0	0:01	IPO
D-78	Michelle LOPEZ	Beata SCHENK	0 - 1	3:00	YUS
D-83	Mckinna MORRISON	Beata SCHENK	5 - 0	3:00	WAZ
D-82	Michelle LOPEZ	Brecklyn VEALE	10 - 0	1:24	WIP

Competitors/Compétiteurs B

#	Name/Nom	Grade	Club	5	6	7	W/G	Pts	Pos
5	Callie RENDER (48,00)	3 Kyu	Lethbridge Kyodokan AB	XX		10	1	10	2
6	Cienna PENETRANTE (48,00)	3 Kyu	St. Albert Tokai AB	10	XX	10	2	20	1
7	Lily SANDERS (44,00)	4 Kyu	Emerald City WA USA			XX	0	0	3

Matches/Matches B

Match	White/Blanc	Blue/Bleu	Res/Rés	Tim/Tmp	Code
D-67	Callie RENDER	Cienna PENETRANTE	0 - 10	0:39	WIP
D-77	Callie RENDER	Lily SANDERS	10 - 0	1:18	WIP
D-85	Cienna PENETRANTE	Lily SANDERS	10 - 0	0:37	WIP



Results/Résultats

Pos	Name/Nom
1	Cienna PENETRANTE, St. Albert Tokai AB
2	Mckinna MORRISON, Ishi Yama AB
3	Callie RENDER, Lethbridge Kyodokan AB
3	Beata SCHENK, Burnaby BC

U14 Women -52kg

Competitors/Compétiteurs

#	Name/Nom	Grade	Club	1	2	1	2	1	2	W/G	Pts	Pos
1	Sadie KATALINIC (52,00)	4 Kyu	Abbotsford BC	XX		XX		XX		0	0	2
2	Dalya KASHKOUSH (52,00)	3 Kyu	St. Albert Tokai AB	10	XX	10	XX		XX	2	20	1

Matches/Matches

Match	White/Blanc			Blue/Bleu	Res/Rés	Tim/Tmp	Code
A-73	Sadie KATALINIC	1	2	Dalya KASHKOUSH	0 - 10	1:40	WIP
A-81	Dalya KASHKOUSH	2	1	Sadie KATALINIC	10 - 0	0:52	WIP
A-89	Sadie KATALINIC	1	2	Dalya KASHKOUSH			

Results/Résultats

Pos	Name/Nom
1	Dalya KASHKOUSH, St. Albert Tokai AB

U14 Women -57kg

Competitors/Compétiteurs

#	Name/Nom	Grade	Club	1	2	3	4	5	W/G	Pts	Pos
1	Zoe LEE (57,00)	3 Kyu	Westminster BC	XX			10	10	2	20	3
2	Nyota MORISHO (57,00)	2 Kyu	Victoria BC	10	XX	10	10	10	4	40	1
3	Karas MARIANNA (57,00)	3 Kyu	Kodokwai AB	10		XX	10		2	20	2
4	Maria LIAKOS (57,00)	4 Kyu	Steveston BC				XX		0	0	5
5	Adelle P. LARDEN (57,00)	4 Kyu	Steveston BC			10	10	XX	2	20	3

Matches/Matches

Match	White/Blanc			Blue/Bleu	Res/Rés	Tim/Tmp	Code
C-59	Maria LIAKOS	4	5	Adelle P. LARDEN	0 - 10	0:33	WIP
C-60	Zoe LEE	1	2	Nyota MORISHO	0 - 10	0:12	IPO
C-62	Karas MARIANNA	3	4	Maria LIAKOS	10 - 0	1:29	WIP
C-63	Zoe LEE	1	5	Adelle P. LARDEN	10 - 0	2:45	IPO
C-66	Nyota MORISHO	2	3	Karas MARIANNA	10 - 0	0:37	IPO
C-67	Zoe LEE	1	4	Maria LIAKOS	10 - 0	0:52	WIP
C-70	Karas MARIANNA	3	5	Adelle P. LARDEN	0 - 10	2:23	IPO
C-69	Nyota MORISHO	2	4	Maria LIAKOS	10 - 0	0:17	IPO
C-75	Zoe LEE	1	3	Karas MARIANNA	0 - 10	0:53	KIK
C-76	Nyota MORISHO	2	5	Adelle P. LARDEN	10 - 0	0:25	WIP

Results/Résultats

Pos	Name/Nom
1	Nyota MORISHO, Victoria BC
2	Karas MARIANNA, Kodokwai AB
3	Adelle P. LARDEN, Steveston BC
3	Zoe LEE, Westminster BC

U14 Women -63kg

Competitors/Compétiteurs

#	Name/Nom	Grade	Club	1	2	1	2	1	2	W/G	Pts	Pos
1	Basmala ELSAYED (63,00)	4 Kyu +	St. Albert Tokai AB	XX		XX		XX		0	0	2
2	Miya VARSANYI (63,00)	3 Kyu	Lethbridge Kyodokan AB	10	XX	10	XX		XX	2	20	1

Matches/Matches

Match	White/Blanc			Blue/Bleu	Res/Rés	Tim/Tmp	Code
A-72	Basmala ELSAYED	1	2	Miya VARSANYI	0 - 10	1:34	WIP
A-80	Miya VARSANYI	2	1	Basmala ELSAYED	10 - 0	1:11	IPO
A-88	Basmala ELSAYED	1	2	Miya VARSANYI			

Results/Résultats

Pos	Name/Nom
1	Miya VARSANYI, Lethbridge Kyodokan AB

U18 Men -46kg

Competitors/Compétiteurs A

#	Name/Nom	Grade	Club	1	2	3	4	W/G	Pts	Pos
1	Maximus JOE (46,00)	2 Kyu	Burnaby BC	XX	10	10	10	3	30	1
2	Joshua DARMADI (46,00)	3 Kyu	Nanaimo BC		XX	10		1	10	3
3	Jacob LOWE (46,00)	3 Kyu	Victoria BC			XX		0	0	4
4	Douglas O'BRIEN (46,00)	1 Kyu	Hiro's AB		10	10	XX	2	20	2

Matches/Matchs A

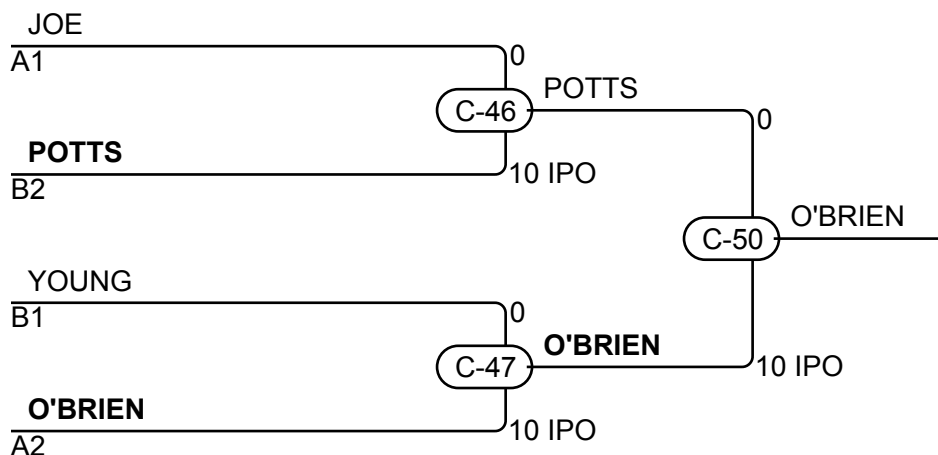
Match	White/Blanc	Blue/Bleu	Res/Rés	Tim/Tmp	Code
C-22	Maximus JOE	1 2 Joshua DARMADI	10 - 0	1:20	IPO
C-23	Jacob LOWE	3 4 Douglas O'BRIEN	0 - 10	0:34	IPO
C-32	Maximus JOE	1 3 Jacob LOWE	10 - 0	0:56	IPO
C-33	Joshua DARMADI	2 4 Douglas O'BRIEN	0 - 10	1:52	IPO
C-39	Maximus JOE	1 4 Douglas O'BRIEN	10 - 0	2:44	WIP
C-40	Joshua DARMADI	2 3 Jacob LOWE	10 - 0	0:29	IPO

Competitors/Compétiteurs B

#	Name/Nom	Grade	Club	5	6	7	W/G	Pts	Pos
5	Aidan KEYES (46,00)	3 Kyu	Police Judo Junior BC	XX			0	0	3
6	Marcus POTTS (46,00)	3 Kyu	Shidokai BC	10	XX		1	10	2
7	Asher YOUNG (46,00)	2 Kyu	Hart BC	10	5	XX	2	15	1

Matches/Matchs B

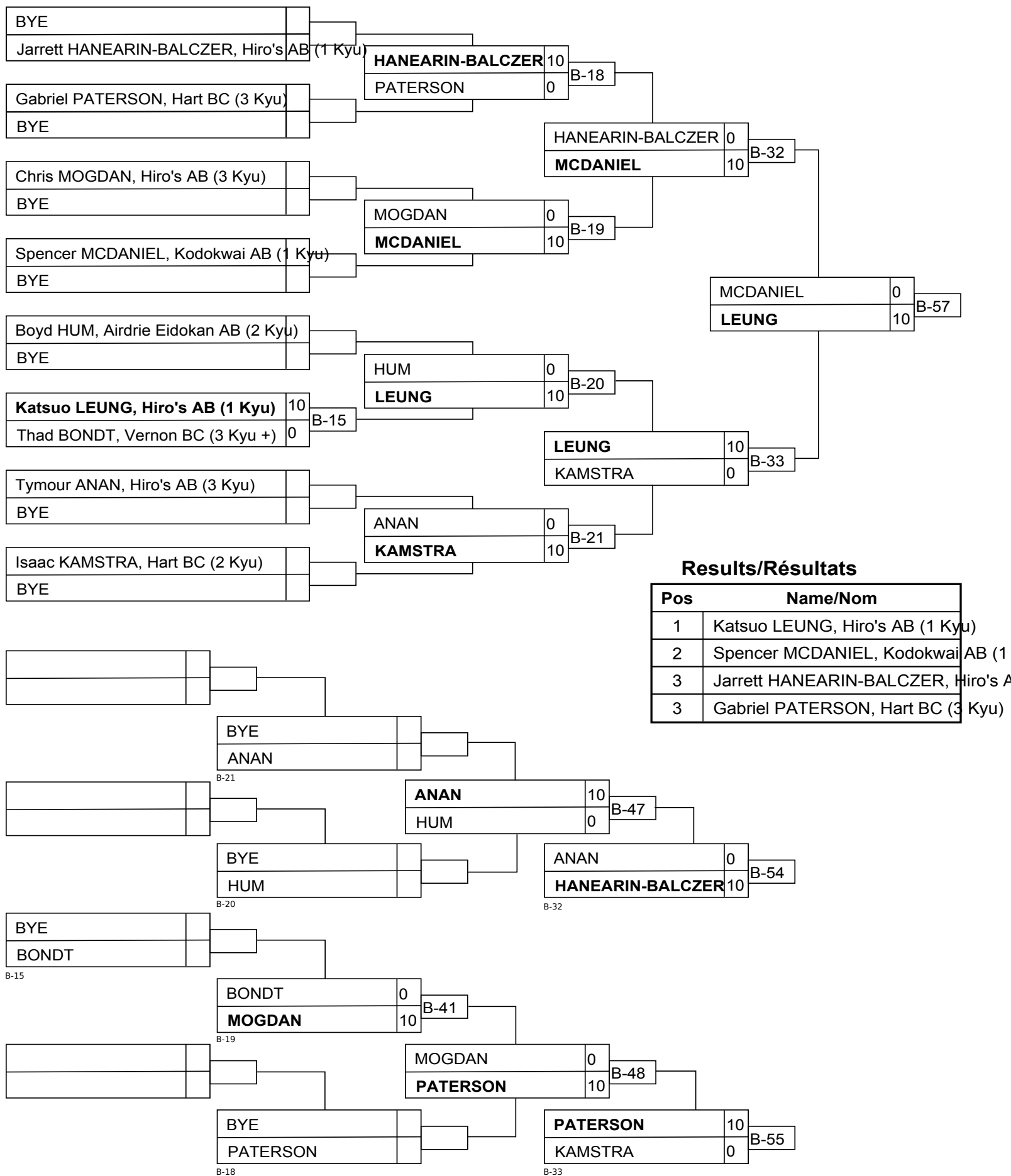
Match	White/Blanc	Blue/Bleu	Res/Rés	Tim/Tmp	Code
C-24	Aidan KEYES	5 6 Marcus POTTS	0 - 10	1:14	IPO
C-34	Aidan KEYES	5 7 Asher YOUNG	0 - 10	0:29	IPO
C-41	Marcus POTTS	6 7 Asher YOUNG	0 - 5	4:00	WAZ



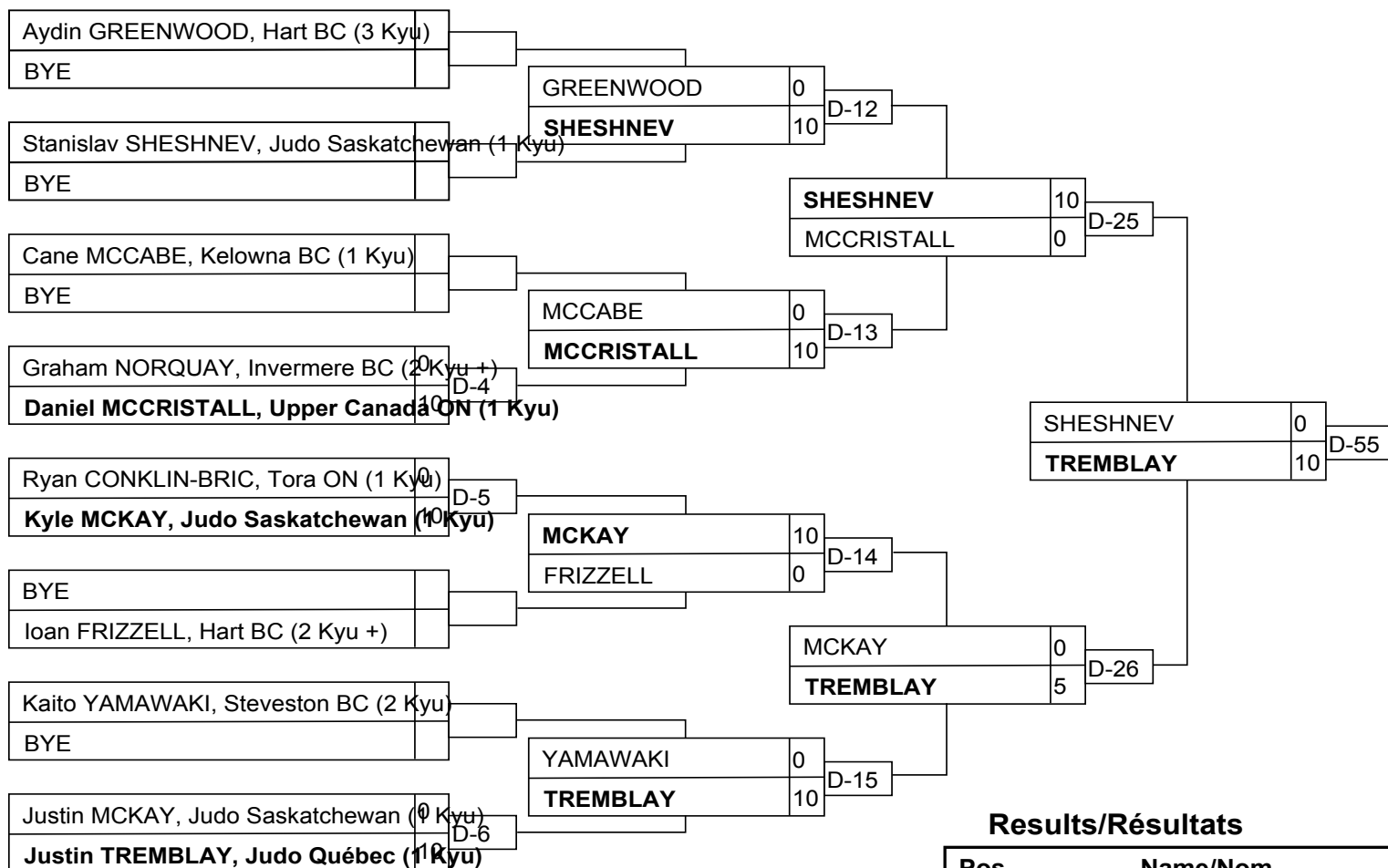
Results/Résultats

Pos	Name/Nom
1	Douglas O'BRIEN, Hiro's AB
2	Marcus POTTS, Shidokai BC
3	Maximus JOE, Burnaby BC
3	Asher YOUNG, Hart BC

U18 Men -50kg

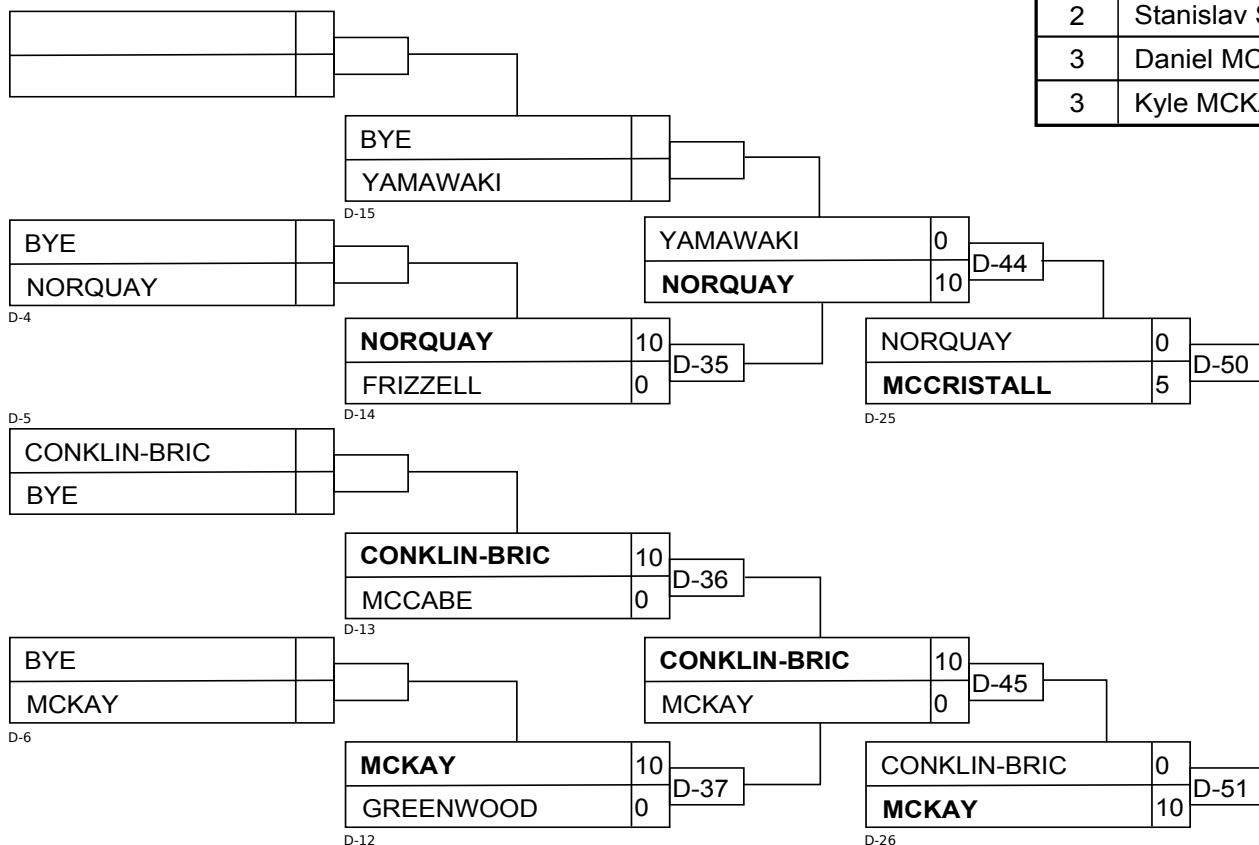


U18 Men -55kg

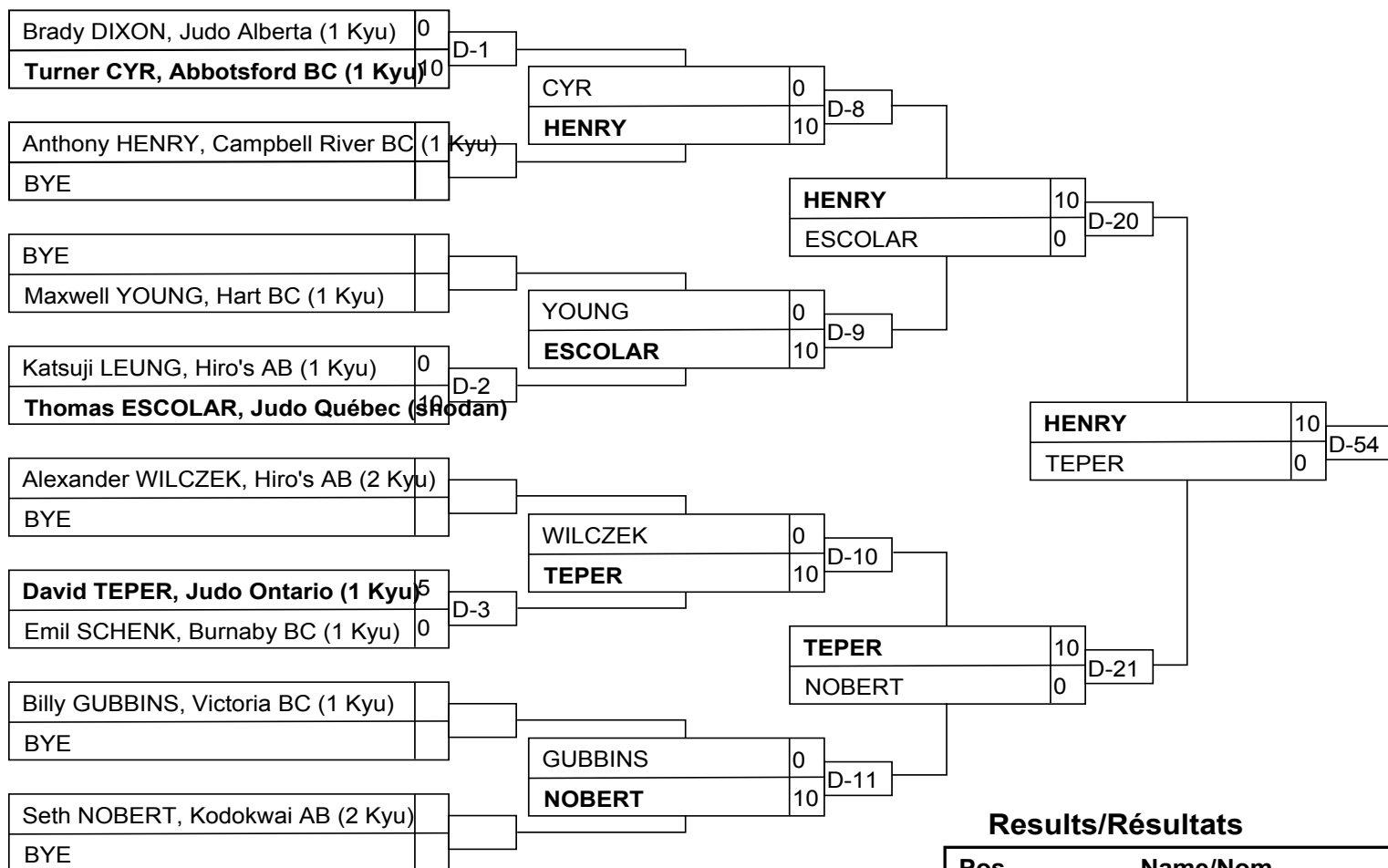


Results/Résultats

Pos	Name/Nom
1	Justin TREMBLAY, Judo Québec (1 Kyu)
2	Stanislav SHESHNEV, Judo Saskatchewan (1 Kyu)
3	Daniel MCCRISTALL, Upper Canada ON (1 Kyu)
3	Kyle MCKAY, Judo Saskatchewan (1 Kyu)

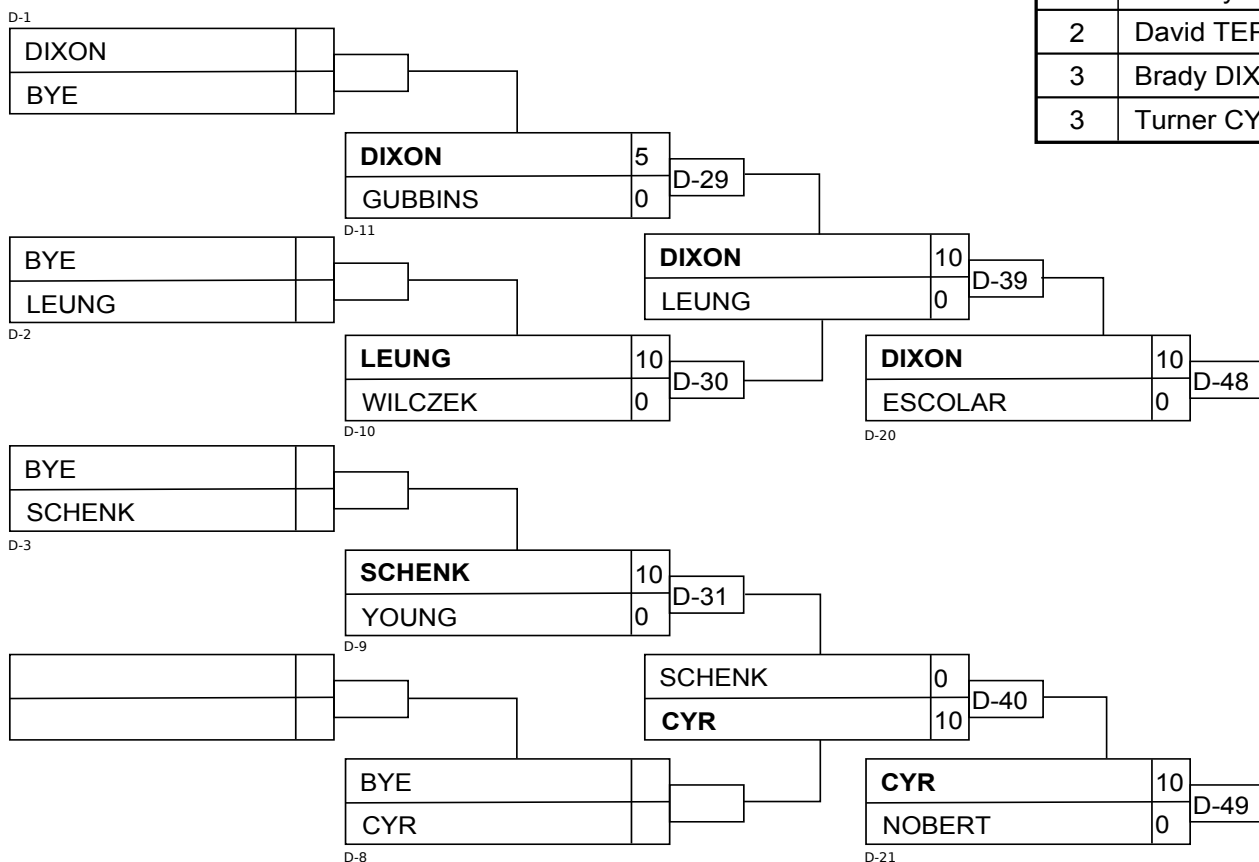


U18 Men -60kg

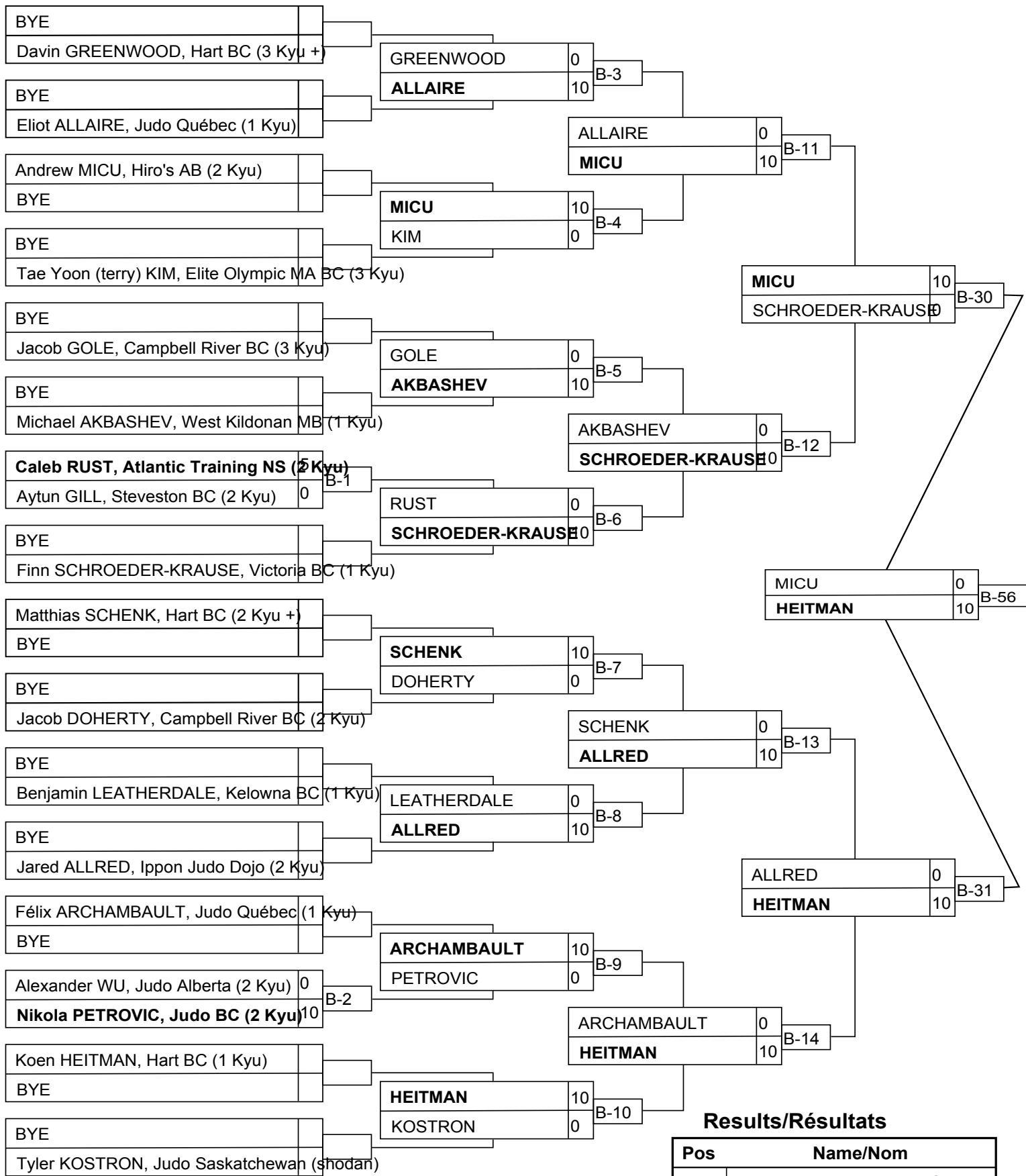


Results/Résultats

Pos	Name/Nom
1	Anthony HENRY, Campbell River BC (1 Kyu)
2	David TEPER, Judo Ontario (1 Kyu)
3	Brady DIXON, Judo Alberta (1 Kyu)
3	Turner CYR, Abbotsford BC (1 Kyu)



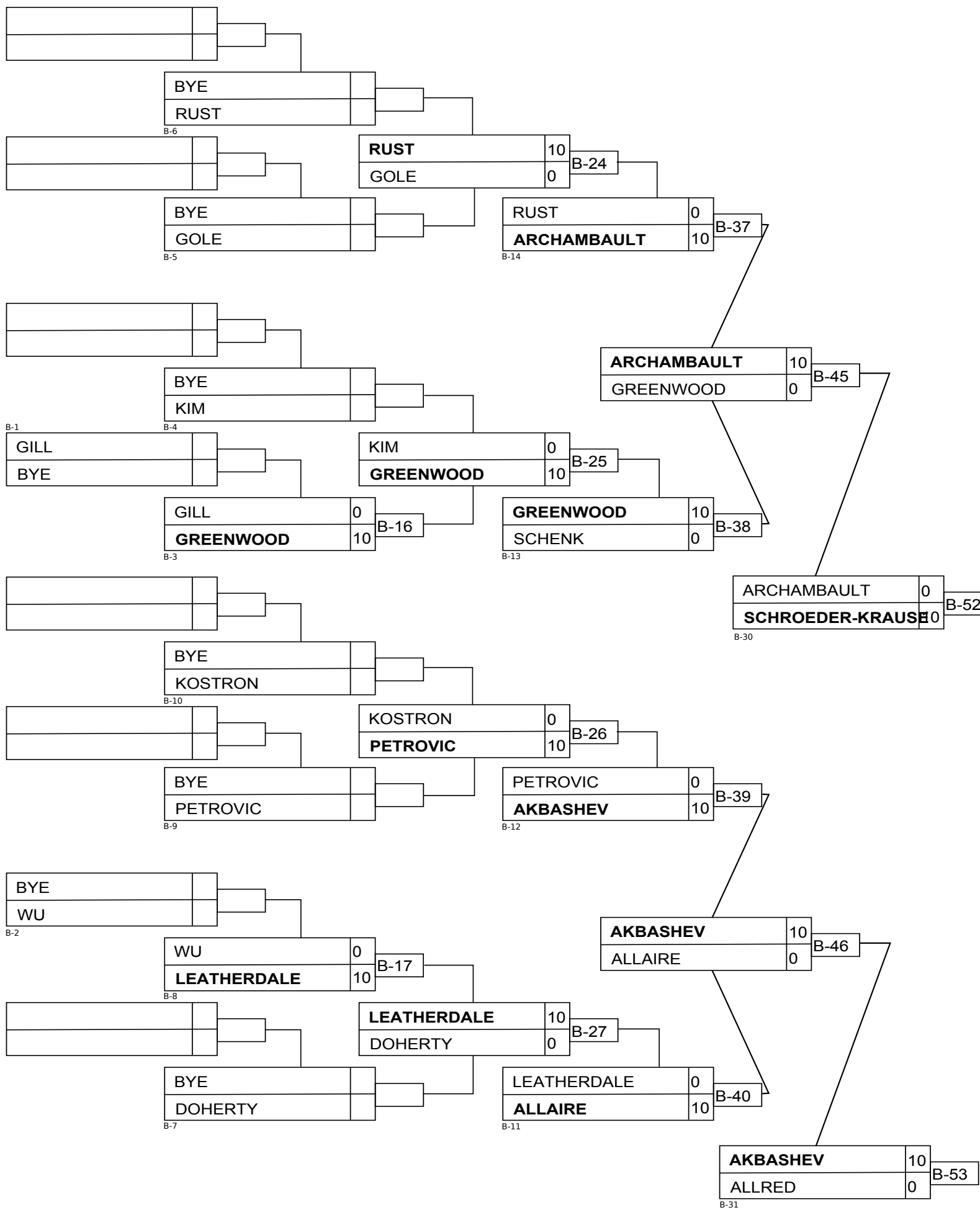
U18 Men -66kg



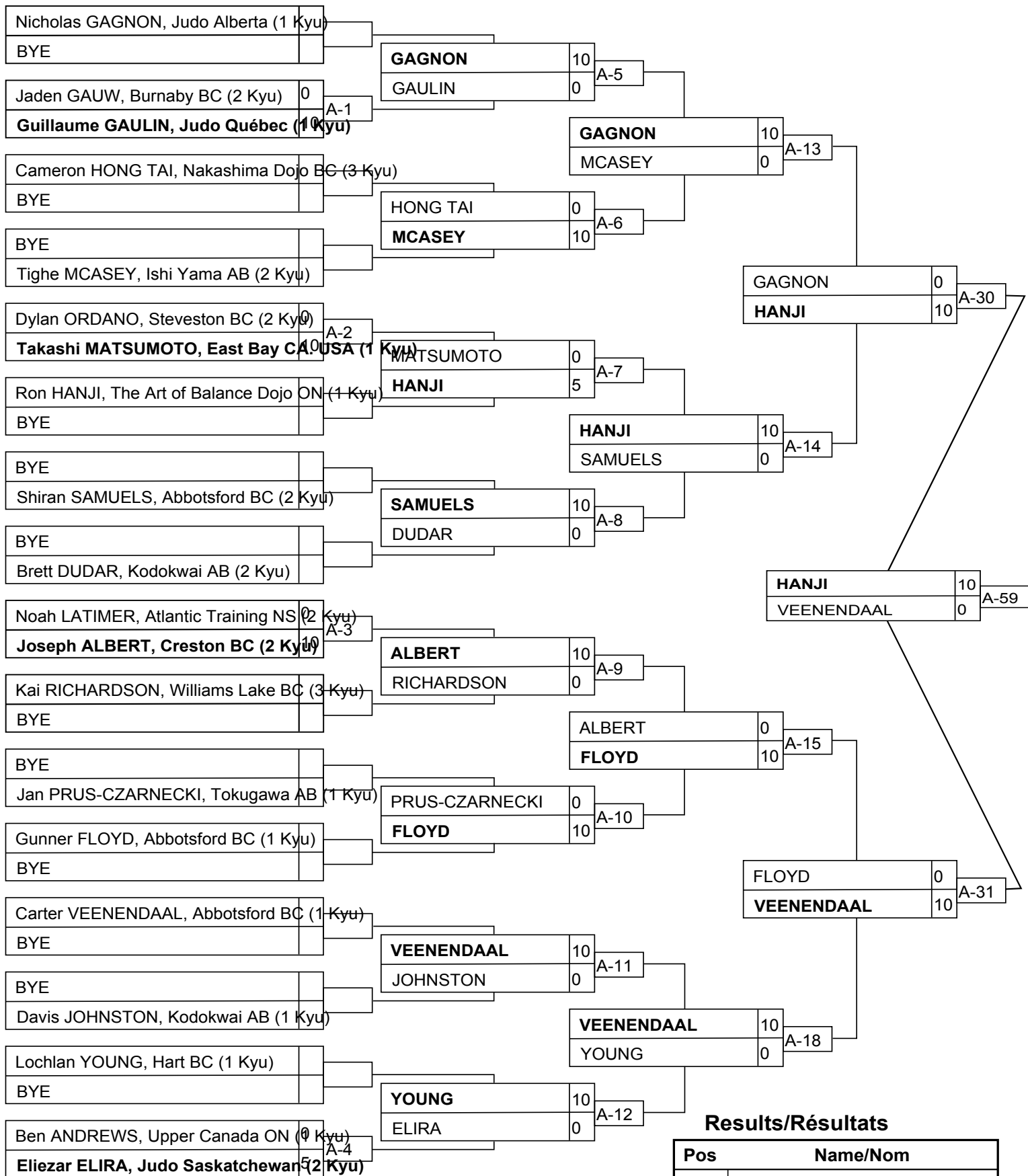
Results/Résultats

Pos	Name/Nom
1	Koen HEITMAN, Hart BC (1 Kyu)
2	Andrew MICU, Hiro's AB (2 Kyu)
3	Finn SCHROEDER-KRAUSE, Victoria BC
3	Michael AKBASHEV, West Kildonan MB (1 Kyu)

U18 Men -66kg



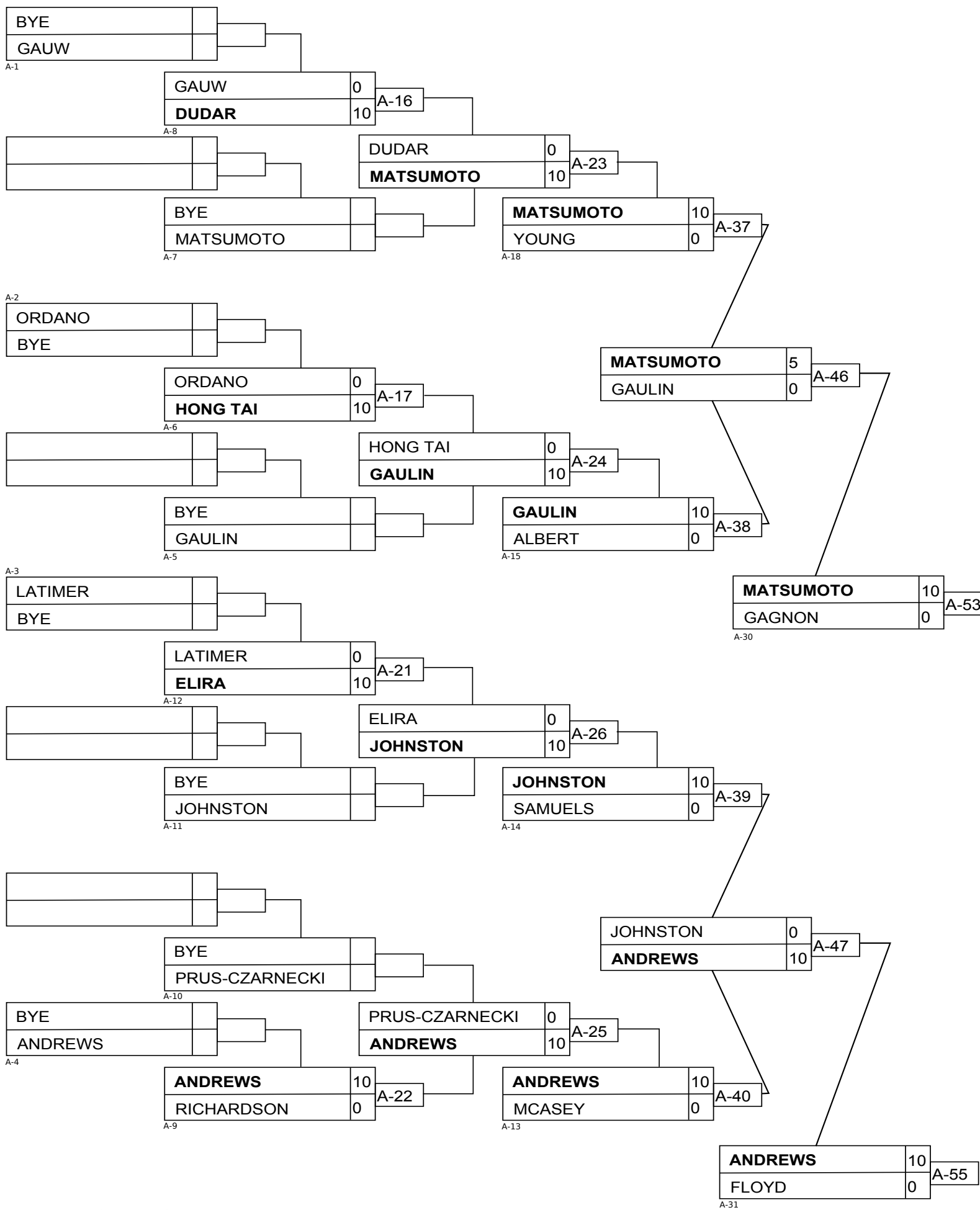
U18 Men -73kg



Results/Résultats

Pos	Name/Nom
1	Ron HANJI, The Art of Balance Dojo ON (1 Kyu)
2	Carter VEENENDAAL, Abbotsford BC (1 Kyu)
3	Takashi MATSUMOTO, East Bay CA. USA (1 Kyu)
3	Ben ANDREWS, Upper Canada ON (1 Kyu)

U18 Men -73kg



U18 Men -81kg

Competitors/Compétiteurs A

#	Name/Nom	Grade	Club	1	2	3	W/G	Pts	Pos
1	Kace CALLAGHAN (81,00)	2 Kyu	Judo Saskatchewan	XX		10	1	10	2
2	Payton HARRIS (81,00)	1 Kyu	Abbotsford BC	10	XX	10	2	20	1
3	Zachary RENDER (81,00)	1 Kyu	Lethbridge Kyodokan AB			XX	0	0	3

Matches/Matches A

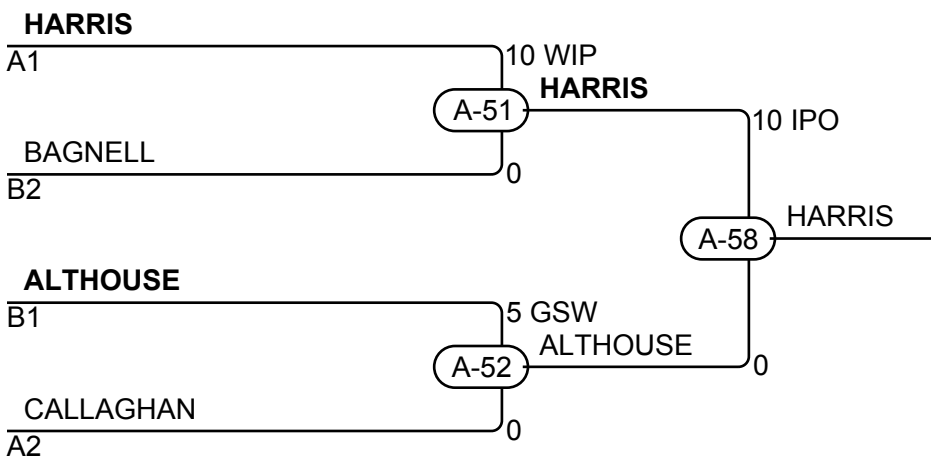
Match	White/Blanc	Blue/Bleu	Res/Rés	Tim/Tmp	Code
A-28	Kace CALLAGHAN 1 2	Payton HARRIS	0 - 10	0:36	WIP
A-35	Kace CALLAGHAN 1 3	Zachary RENDER	10 - 0	2:52	IPO
A-44	Payton HARRIS 2 3	Zachary RENDER	10 - 0	0:19	IPO

Competitors/Compétiteurs B

#	Name/Nom	Grade	Club	4	5	6	W/G	Pts	Pos
4	Taylor ALTHOUSE (81,00)	2 Kyu	Lethbridge Kyodokan AB	XX	10	10	2	20	1
5	Dryden POLLON (73,00)	3 Kyu	Kamloops BC		XX		0	0	3
6	Daniel BAGNELL (81,00)	1 Kyu	Judo Saskatchewan		10	XX	1	10	2

Matches/Matches B

Match	White/Blanc	Blue/Bleu	Res/Rés	Tim/Tmp	Code
A-29	Taylor ALTHOUSE 4 5	Dryden POLLON	10 - 0	0:23	IPO
A-36	Taylor ALTHOUSE 4 6	Daniel BAGNELL	10 - 0	5:35	HAN
A-45	Dryden POLLON 5 6	Daniel BAGNELL	0 - 10	1:15	IPO



Results/Résultats

Pos	Name/Nom
1	Payton HARRIS, Abbotsford BC
2	Taylor ALTHOUSE, Lethbridge Kyodokan AB
3	Daniel BAGNELL, Judo Saskatchewan
3	Kace CALLAGHAN, Judo Saskatchewan

U18 Men -90kg

Competitors/Compétiteurs

#	Name/Nom	Grade	Club	1	2	1	2	1	2	W/G	Pts	Pos
1	Ahmed GHANEM (90,00)	3 Kyu	St. Albert Tokai AB	XX	10	XX	10	XX		2	20	1
2	Rowen KINGSTON (90,00)	2 Kyu	Judo Yukon		XX		XX		XX	0	0	2

Matches/Matches

Match	White/Blanc			Blue/Bleu	Res/Rés	Tim/Tmp	Code
B-36	Ahmed GHANEM	1	2	Rowen KINGSTON	10 - 0	0:26	WIP
B-44	Rowen KINGSTON	2	1	Ahmed GHANEM	0 - 10	2:45	IPO
B-51	Ahmed GHANEM	1	2	Rowen KINGSTON			

Results/Résultats

Pos	Name/Nom
1	Ahmed GHANEM, St. Albert Tokai AB

U18 Men +90kg

Competitors/Compétiteurs

#	Name/Nom	Grade	Club	1	2	3	4	W/G	Pts	Pos
1	Benjamin HAUGHTON (90,00)	2 Kyu	Kamloops BC	XX		10		1	10	3
2	Andrew(geunmo) KIM (90,00)	shodan	Elite Olympic MA BC	5	XX	10		2	15	2
3	Jadon LEENDERS (90,00)	3 Kyu +	Judo Yukon			XX		0	0	3
4	Wilson ELLIOT (90,00)	2 Kyu	KAM LAKE NT	5	10	10	XX	3	25	1

Matches/Matches

Match	White/Blanc			Blue/Bleu	Res/Rés	Tim/Tmp	Code
D-23	Benjamin HAUGHTON	1	2	Andrew(geunmo) KIM	0 - 5	4:00	WAZ
D-24	Jadon LEENDERS	3	4	Wilson ELLIOT	0 - 10	0:32	IPO
D-33	Benjamin HAUGHTON	1	3	Jadon LEENDERS	10 - 0	0:28	IPO
D-34	Andrew(geunmo) KIM	2	4	Wilson ELLIOT	0 - 10	0:47	IPO
D-42	Benjamin HAUGHTON	1	4	Wilson ELLIOT	0 - 5	4:22	GSW
D-43	Andrew(geunmo) KIM	2	3	Jadon LEENDERS	10 - 0	6:00	GSW

Results/Résultats

Pos	Name/Nom
1	Wilson ELLIOT, KAM LAKE NT
2	Andrew(geunmo) KIM, Elite Olympic MA BC
3	Benjamin HAUGHTON, Kamloops BC

U18 Women -48kg

Competitors/Compétiteurs A

#	Name/Nom	Grade	Club	1	2	3	4	W/G	Pts	Pos
1	Olivia SHEEHAN (48,00)	2 Kyu	Campbell River BC	XX				0	0	4
2	Klavdia DANILKOV (48,00)	3 Kyu	Judo BC	10	XX	10	10	3	30	1
3	Brooke CORBETT (48,00)	2 Kyu	Hart BC	10		XX		1	10	3
4	Rakiia LOLIEVA (48,00)	3 Kyu	Burnaby BC	10		10	XX	2	20	2

Matches/Matches A

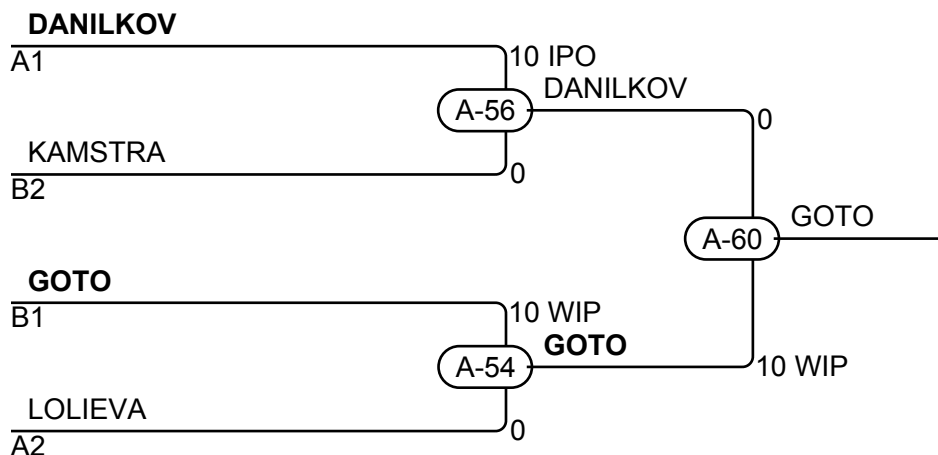
Match	White/Blanc	Blue/Bleu	Res/Rés	Tim/Tmp	Code
A-32	Olivia SHEEHAN 1 2	Klavdia DANILKOV	0 - 10	0:38	IPO
A-33	Brooke CORBETT 3 4	Rakiia LOLIEVA	0 - 10	2:09	IPO
A-42	Olivia SHEEHAN 1 3	Brooke CORBETT	0 - 10	3:13	IPO
A-41	Klavdia DANILKOV 2 4	Rakiia LOLIEVA	10 - 0	0:58	IPO
A-48	Olivia SHEEHAN 1 4	Rakiia LOLIEVA	0 - 10	0:22	IPO
A-49	Klavdia DANILKOV 2 3	Brooke CORBETT	10 - 0	1:34	IPO

Competitors/Compétiteurs B

#	Name/Nom	Grade	Club	5	6	7	W/G	Pts	Pos
5	Kimiko KAMSTRA (48,00)	2 Kyu +	Hart BC	XX		10	1	10	2
6	Tami GOTO (48,00)	1 Kyu	Prince George BC	10	XX	10	2	20	1
7	Hailey KO (48,00)	3 Kyu	Burnaby BC			XX	0	0	3

Matches/Matches B

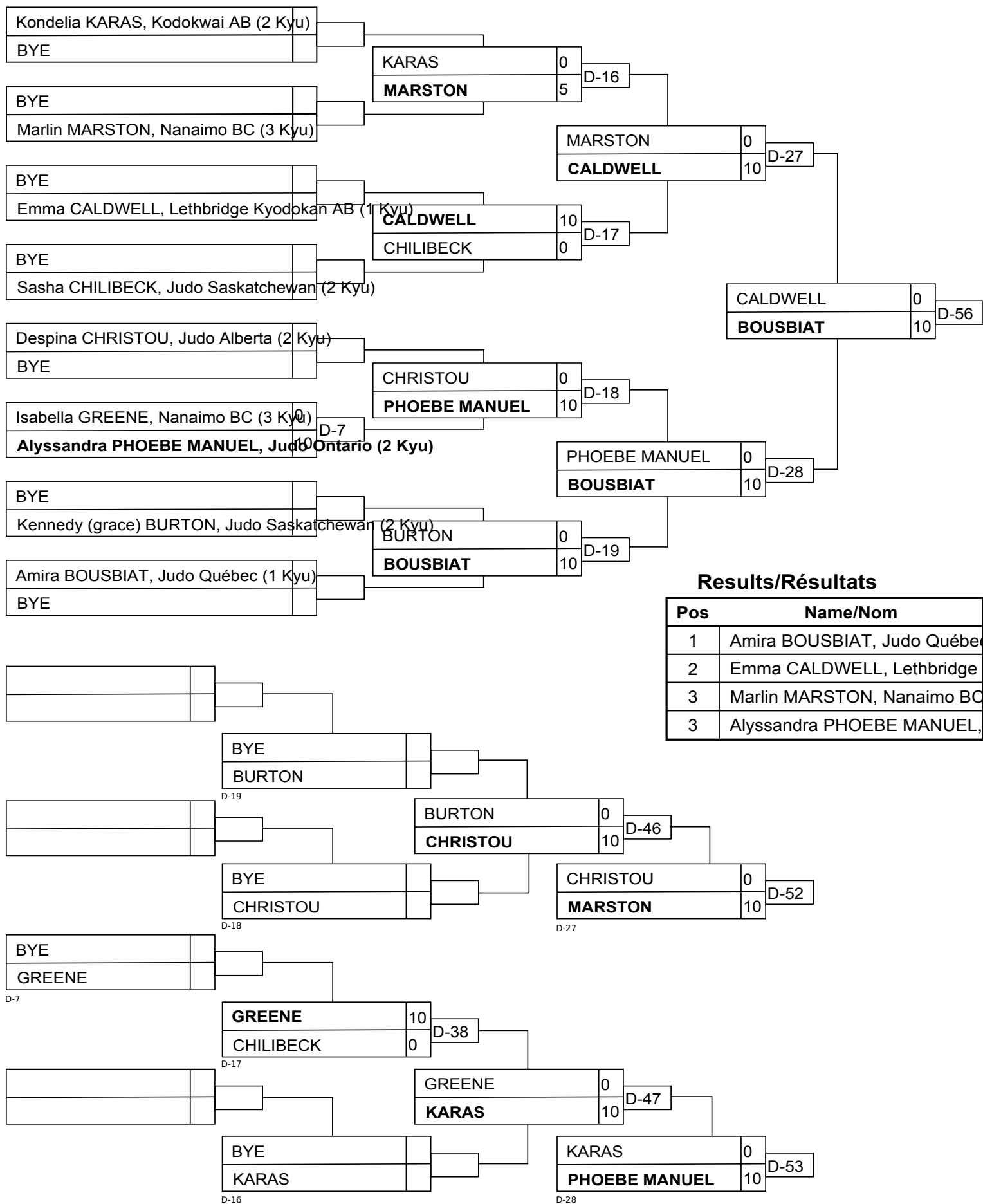
Match	White/Blanc	Blue/Bleu	Res/Rés	Tim/Tmp	Code
A-34	Kimiko KAMSTRA 5 6	Tami GOTO	0 - 10	1:22	IPO
A-43	Kimiko KAMSTRA 5 7	Hailey KO	10 - 0	3:30	IPO
A-50	Tami GOTO 6 7	Hailey KO	10 - 0	1:19	WIP



Results/Résultats

Pos	Name/Nom
1	Tami GOTO, Prince George BC
2	Klavdia DANILKOV, Judo BC
3	Kimiko KAMSTRA, Hart BC
3	Rakiia LOLIEVA, Burnaby BC

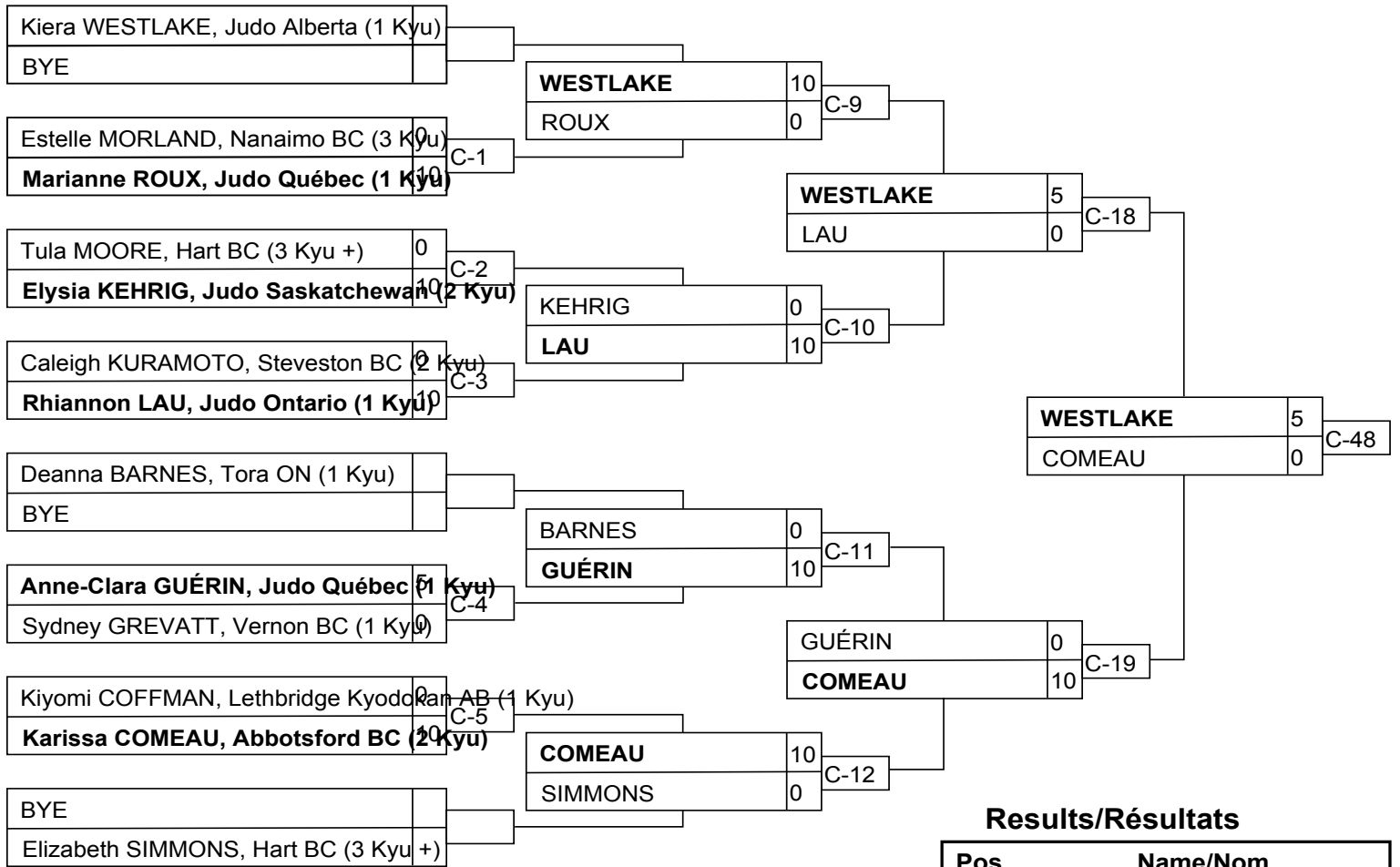
U18 Women -52kg



Results/Résultats

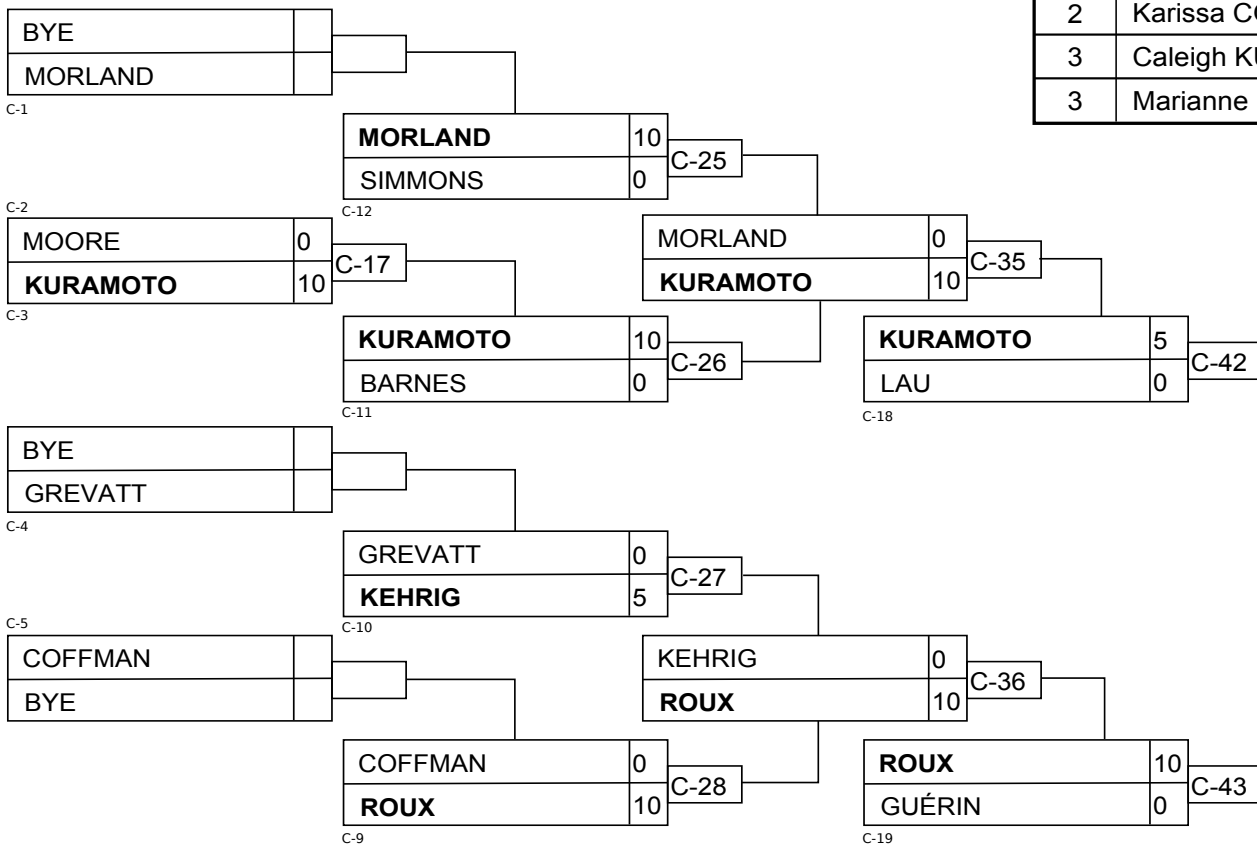
Pos	Name/Nom
1	Amira BOUSBIAT, Judo Québec (1 Kyu)
2	Emma CALDWELL, Lethbridge Kyodokan AB (1 Kyu)
3	Marlin MARSTON, Nanaimo BC (3 Kyu)
3	Alyssandra PHOEBE MANUEL, Judo Ontario (2 Kyu)

U18 Women -57kg

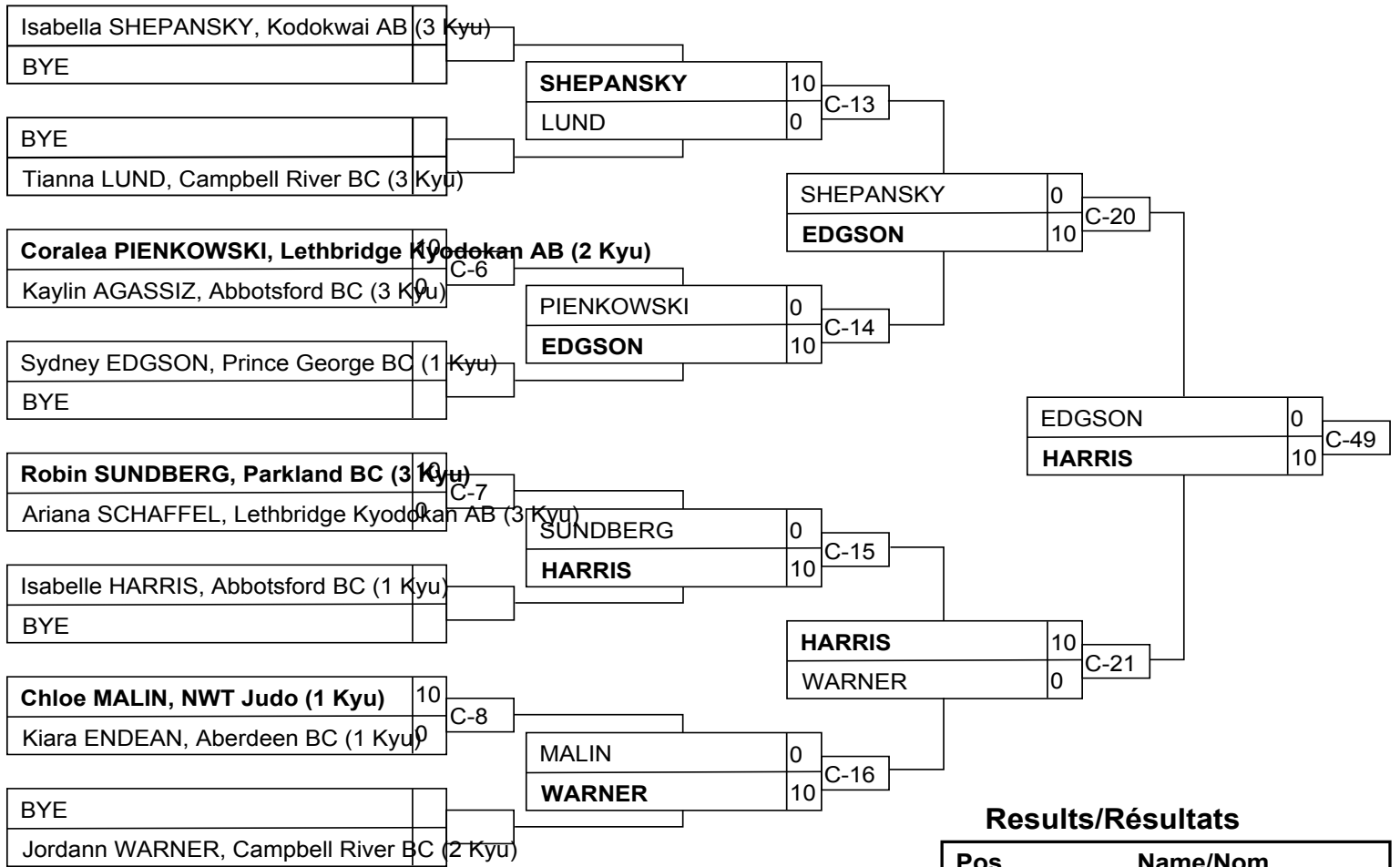


Results/Résultats

Pos	Name/Nom
1	Kiera WESTLAKE, Judo Alberta (1 Kyu)
2	Karissa COMEAU, Abbotsford BC (2 Kyu)
3	Caleigh KURAMOTO, Steveston BC (2 Kyu)
3	Marianne ROUX, Judo Québec (1 Kyu)

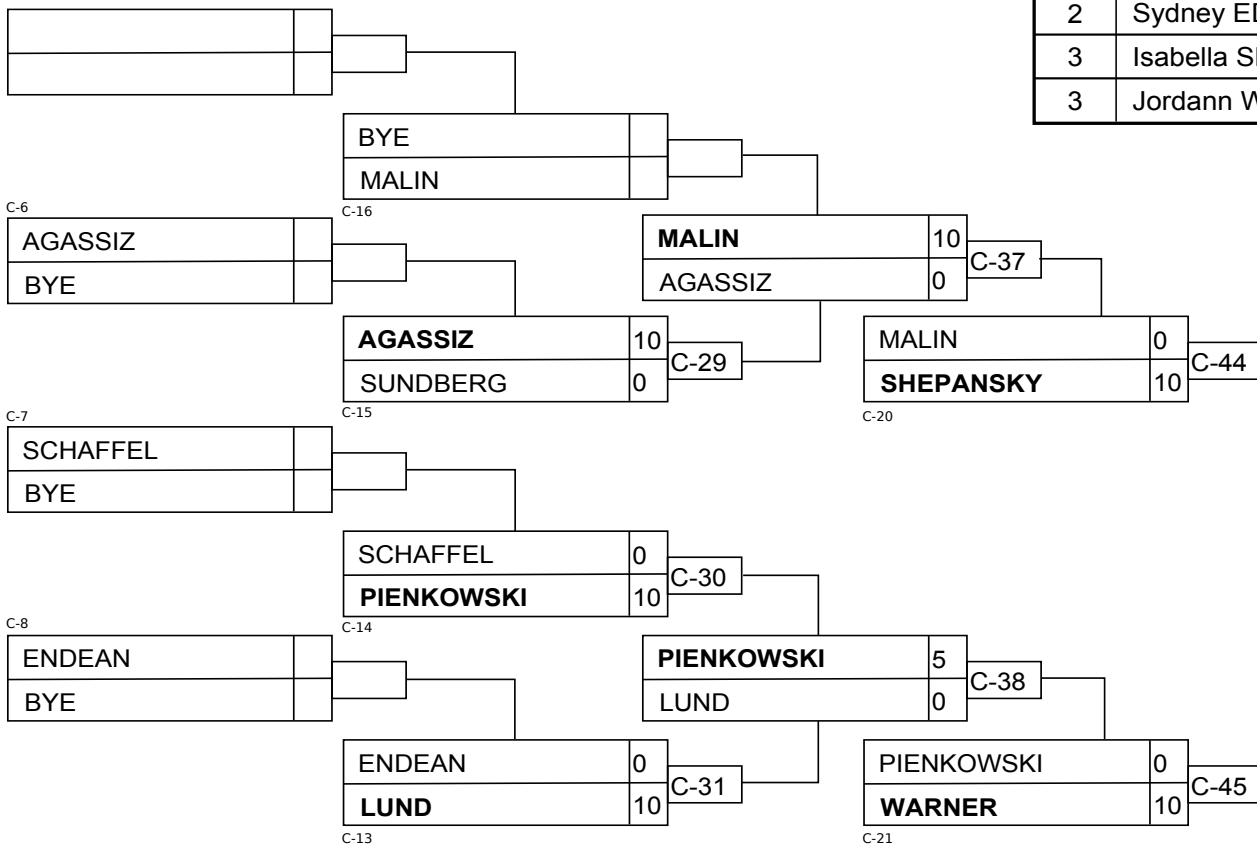


U18 Women -63kg



Results/Résultats

Pos	Name/Nom
1	Isabelle HARRIS, Abbotsford BC (1 Kyu)
2	Sydney EDGSON, Prince George BC (1 Kyu)
3	Isabella SHEPANSKY, Kodokwai AB (3 Kyu)
3	Jordann WARNER, Campbell River BC (2 Kyu)



U18 Women -70kg

Competitors/Compétiteurs

#	Name/Nom	Grade	Club	1	2	3	W/G	Pts	Pos
1	Brae BOOTH (70,00)	1 Kyu	Creston BC	XX	10		1	10	2
2	Willow BURGESS (70,00)	2 Kyu	Abbotsford BC		XX		0	0	3
3	Maria MARTIN (70,00)	2 Kyu	Judo Saskatchewan	10	10	XX	2	20	1

Matches/Matches

Match	White/Blanc			Blue/Bleu	Res/Rés	Tim/Tmp	Code
D-22	Brae BOOTH	1	2	Willow BURGESS	10 - 0	0:32	IPO
D-32	Brae BOOTH	1	3	Maria MARTIN	0 - 10	0:29	IPO
D-41	Willow BURGESS	2	3	Maria MARTIN	0 - 10	0:18	IPO

Results/Résultats

Pos	Name/Nom
1	Maria MARTIN, Judo Saskatchewan
2	Brae BOOTH, Creston BC

U18 Women +70kg

Competitors/Compétiteurs

#	Name/Nom	Grade	Club	1	2	3	4	5	W/G	Pts	Pos
1	Janessa KEAYS (70,00)	3 Kyu	Judo Saskatchewan	XX	10	10			2	20	3
2	Dakota WEBB (70,00)	3 Kyu	Kokushikai BC		XX	10			1	10	3
3	Akiko Kaitlin BALITACTAC (70,00)	shodan	Nakano Judo CA USA			XX			0	0	5
4	Josie-Anne SYNNOTT (70,00)	shodan	Judo Québec	10	10	10	XX		3	30	2
5	Maram WHABA (70,00)	1 Kyu	Judo Québec	10	10	10	10	XX	4	40	1

Matches/Matches

Match	White/Blanc			Blue/Bleu	Res/Rés	Tim/Tmp	Code
B-22	Josie-Anne SYNNOTT	4	5	Maram WHABA	0 - 10	2:53	WIP
B-23	Janessa KEAYS	1	2	Dakota WEBB	10 - 0	0:31	IPO
B-28	Akiko Kaitlin BALITACTAC	3	4	Josie-Anne SYNNOTT	0 - 10	0:01	FUS
B-29	Janessa KEAYS	1	5	Maram WHABA	0 - 10	1:46	WIP
B-34	Dakota WEBB	2	3	Akiko Kaitlin BALITACTAC	10 - 0	0:01	FUS
B-35	Janessa KEAYS	1	4	Josie-Anne SYNNOTT	0 - 10	1:44	IPO
B-42	Akiko Kaitlin BALITACTAC	3	5	Maram WHABA	0 - 10	0:01	FUS
B-43	Dakota WEBB	2	4	Josie-Anne SYNNOTT	0 - 10	0:14	IPO
B-49	Janessa KEAYS	1	3	Akiko Kaitlin BALITACTAC	10 - 0	0:01	FUS
B-50	Dakota WEBB	2	5	Maram WHABA	0 - 10	0:10	IPO

Results/Résultats

Pos	Name/Nom
1	Maram WHABA, Judo Québec
2	Josie-Anne SYNNOTT, Judo Québec
3	Janessa KEAYS, Judo Saskatchewan
3	Dakota WEBB, Kokushikai BC

U21 Men -60kg

Competitors/Compétiteurs

#	Name/Nom	Grade	Club	1	2	3	4	5	W/G	Pts	Pos
1	Masashi MATSUMOTO (60,00)	shodan	East Bay CA. USA	XX		10	10	10	3	30	2
2	Dontae DE JESUS (60,00)	1 Kyu	Judo Ontario	10	XX	10	10	10	4	40	1
3	Gary MACMULLEN (60,00)	shodan	TORA KAI QC			XX	10		1	10	3
4	Taylor SCHAUS (60,00)	shodan	Prince George BC				XX		0	0	5
5	Kaeden RENDEK (60,00)	1 Kyu	Creston BC			10	5	XX	2	15	3

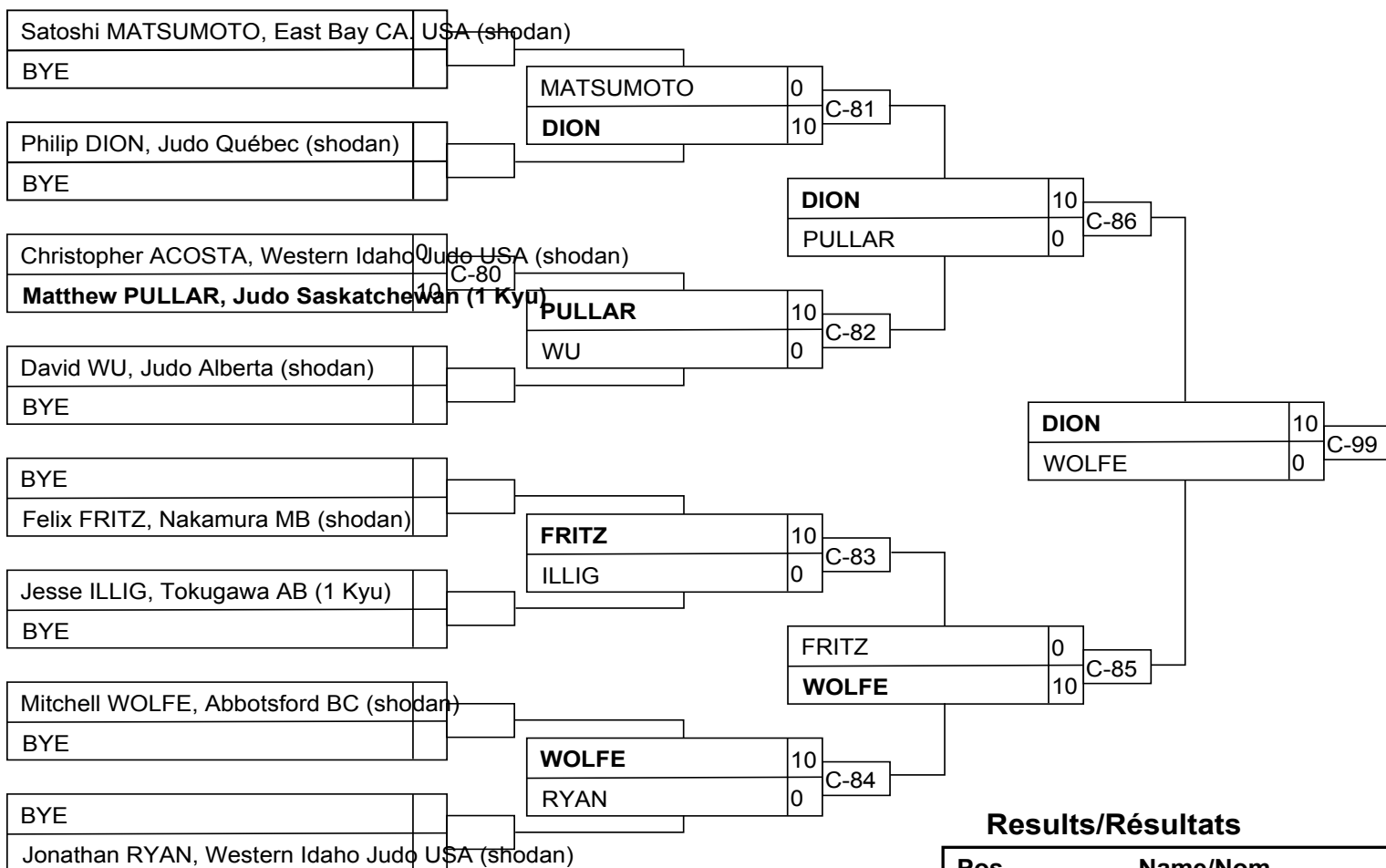
Matches/Matches

Match	White/Blanc			Blue/Bleu	Res/Rés	Tim/Tmp	Code
A-92	Taylor SCHAUS	4	5	Kaeden RENDEK	0 - 5	4:00	WAZ
A-93	Masashi MATSUMOTO	1	2	Dontae DE JESUS	0 - 10	1:08	IPO
A-95	Gary MACMULLEN	3	4	Taylor SCHAUS	10 - 0	2:14	IPO
A-94	Masashi MATSUMOTO	1	5	Kaeden RENDEK	10 - 0	2:47	HAN
A-96	Dontae DE JESUS	2	3	Gary MACMULLEN	10 - 0	0:25	IPO
A-99	Masashi MATSUMOTO	1	4	Taylor SCHAUS	10 - 0	0:32	IPO
A-100	Gary MACMULLEN	3	5	Kaeden RENDEK	0 - 10	2:27	IPO
A-104	Dontae DE JESUS	2	4	Taylor SCHAUS	10 - 0	1:20	IPO
A-103	Masashi MATSUMOTO	1	3	Gary MACMULLEN	10 - 0	1:42	HAN
A-102	Dontae DE JESUS	2	5	Kaeden RENDEK	10 - 0	2:21	HAN

Results/Résultats

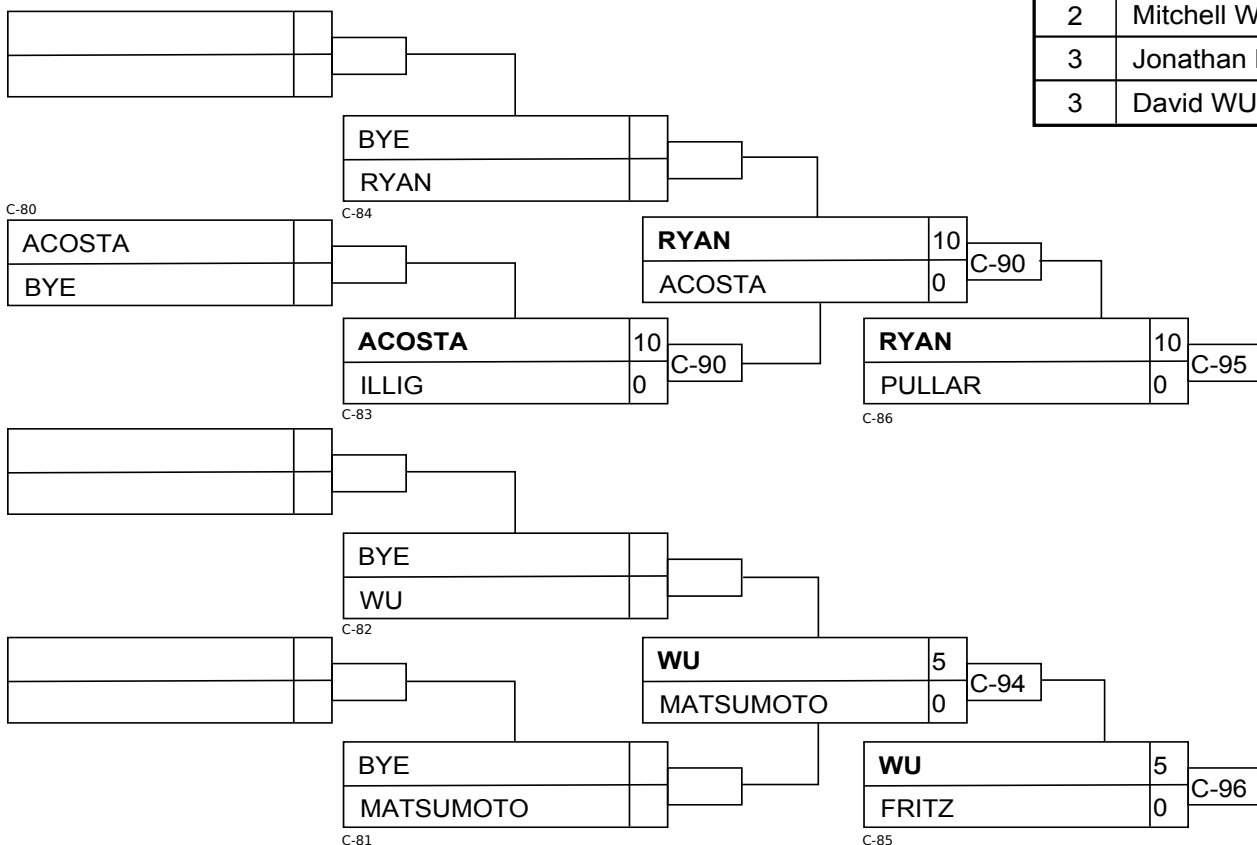
Pos	Name/Nom
1	Dontae DE JESUS, Judo Ontario
2	Masashi MATSUMOTO, East Bay CA. USA
3	Kaeden RENDEK, Creston BC
3	Gary MACMULLEN, TORA KAI QC

U21 Men -66kg



Results/Résultats

Pos	Name/Nom
1	Philip DION, Judo Québec (shodan)
2	Mitchell WOLFE, Abbotsford BC (shodan)
3	Jonathan RYAN, Western Idaho Judo USA (shodan)
3	David WU, Judo Alberta (shodan)



U21 Men -73kg

Competitors/Compétiteurs A

#	Name/Nom	Grade	Club	1	2	3	4	W/G	Pts	Pos
1	Corbin Keegan BALITACTAC (73,00)	shodan	Nakano Judo CA USA	XX		5	10	2	15	2
2	Daniel CHOSACK BARKAY (73,00)	shodan	Judo Québec	5	XX	5	5	3	15	1
3	Max TEEUWEN (73,00)	shodan	Atlantic Training NS			XX		0	0	4
4	Daniel MAMAN (73,00)	shodan	Judo Ontario			5	XX	1	5	3

Matches/Matches A

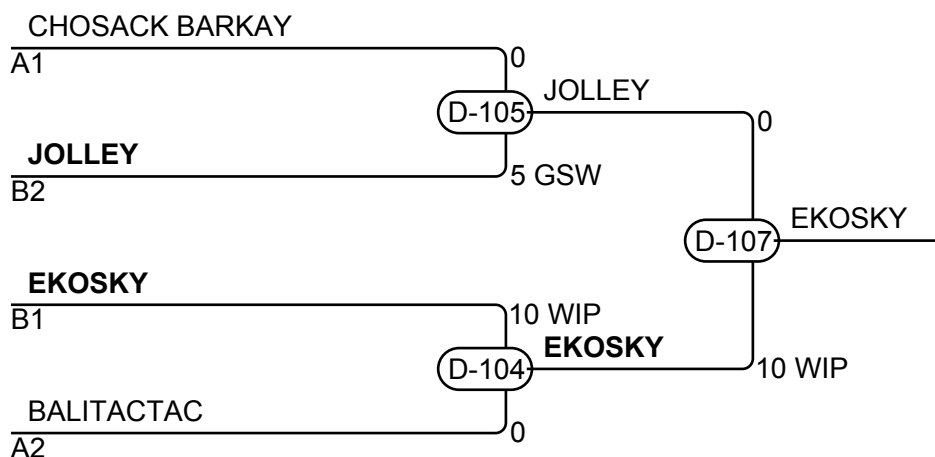
Match	White/Blanc	Blue/Bleu	Res/Rés	Tim/Tmp	Code
D-90	Corbin Keegan BALITACTAC 1 2	Daniel CHOSACK BARKAY	0 - 5	4:00	WAZ
D-91	Max TEEUWEN 3 4	Daniel MAMAN	0 - 5	0:06	GSW
D-95	Corbin Keegan BALITACTAC 1 3	Max TEEUWEN	5 - 0	4:11	GSW
D-96	Daniel CHOSACK BARKAY 2 4	Daniel MAMAN	5 - 0	4:00	WAZ
D-100	Corbin Keegan BALITACTAC 1 4	Daniel MAMAN	10 - 0	3:47	HAN
D-101	Daniel CHOSACK BARKAY 2 3	Max TEEUWEN	5 - 0	4:45	GSW

Competitors/Compétiteurs B

#	Name/Nom	Grade	Club	5	6	7	W/G	Pts	Pos
5	Brennan JOLLEY (73,00)	shodan	Victoria BC	XX		10	1	10	2
6	Damien EKOSKY (73,00)	shodan	Selkirk MB	10	XX	10	2	20	1
7	Christian HILL (73,00)	shodan	Lethbridge Kyodokan AB			XX	0	0	3

Matches/Matches B

Match	White/Blanc	Blue/Bleu	Res/Rés	Tim/Tmp	Code
D-92	Brennan JOLLEY 5 6	Damien EKOSKY	0 - 10	1:27	WIP
D-97	Brennan JOLLEY 5 7	Christian HILL	10 - 0	3:10	IPO
D-102	Damien EKOSKY 6 7	Christian HILL	10 - 0	2:03	IPO



Results/Résultats

Pos	Name/Nom
1	Damien EKOSKY, Selkirk MB
2	Brennan JOLLEY, Victoria BC
3	Daniel CHOSACK BARKAY, Judo Québec
3	Corbin Keegan BALITACTAC, Nakano Judo CA USA

U21 Men -81kg

Competitors/Compétiteurs

#	Name/Nom	Grade	Club	1	2	3	4	W/G	Pts	Pos
1	Mckenzie MORGAN (81,00)	shodan	Airdrie Eidokan AB	XX		10	10	2	20	2
2	Luka KHATELISHVILI (81,00)	1 Kyu	Judo Ontario	5	XX	10	10	3	25	1
3	Travis MILLS (81,00)	1 Kyu	Judo Saskatchewan			XX	10	1	10	3
4	Shogun LACZKO (73,00)	1 Kyu	U of M MB				XX	0	0	3

Matches/Matches

Match	White/Blanc			Blue/Bleu	Res/Rés	Tim/Tmp	Code
B-84	Mckenzie MORGAN	1	2	Luka KHATELISHVILI	0 - 5	4:00	WAZ
B-87	Travis MILLS	3	4	Shogun LACZKO	10 - 0	3:44	IPO
B-91	Mckenzie MORGAN	1	3	Travis MILLS	10 - 0	3:37	WIP
B-92	Luka KHATELISHVILI	2	4	Shogun LACZKO	10 - 0	2:41	WIP
B-97	Mckenzie MORGAN	1	4	Shogun LACZKO	10 - 0	3:18	IPO
B-96	Luka KHATELISHVILI	2	3	Travis MILLS	10 - 0	1:04	IPO

Results/Résultats

Pos	Name/Nom
1	Luka KHATELISHVILI, Judo Ontario
2	Mckenzie MORGAN, Airdrie Eidokan AB
3	Travis MILLS, Judo Saskatchewan

U21 Men -90kg

Competitors/Compétiteurs

#	Name/Nom	Grade	Club	1	2	3	W/G	Pts	Pos
1	Maxwell GRANT (81,00)	shodan	Victoria BC	XX			0	0	3
2	Jackson MINNICK (90,00)	shodan	Victoria BC	10	XX		1	10	2
3	Martin RUSSO (90,00)	shodan	NAKAMURA MB	10	5	XX	2	15	1

Matches/Matches

Match	White/Blanc			Blue/Bleu	Res/Rés	Tim/Tmp	Code
D-93	Maxwell GRANT	1	2	Jackson MINNICK	0 - 10	3:09	WIP
D-98	Maxwell GRANT	1	3	Martin RUSSO	0 - 10	3:02	IPO
D-103	Jackson MINNICK	2	3	Martin RUSSO	0 - 5	4:00	WAZ

Results/Résultats

Pos	Name/Nom
1	Martin RUSSO, NAKAMURA MB
2	Jackson MINNICK, Victoria BC

U21 Men +100kg

Competitors/Compétiteurs

#	Name/Nom	Grade	Club	1	2	3	W/G	Pts	Pos
1	Tigran GHASUMYAN (100,00)	3 Kyu	Steveston BC	XX			0	0	3
2	Tristan ALEXANDER (100,00)	shodan	Victoria BC	10	XX	10	2	20	1
3	Toru IWAASA (100,00)	1 Kyu	Judo Saskatchewan	10		XX	1	10	2

Matches/Matches

Match	White/Blanc			Blue/Bleu	Res/Rés	Tim/Tmp	Code
A-93	Tigran GHASUMYAN	1	2	Tristan ALEXANDER	0 - 10	1:06	WIP
A-97	Tigran GHASUMYAN	1	3	Toru IWAASA	0 - 10	1:11	WIP
A-101	Tristan ALEXANDER	2	3	Toru IWAASA	10 - 0	2:48	IPO

Results/Résultats

Pos	Name/Nom
1	Tristan ALEXANDER, Victoria BC
2	Toru IWAASA, Judo Saskatchewan

U21 Women -52kg

Competitors/Compétiteurs

#	Name/Nom	Grade	Club	1	2	1	2	1	2	W/G	Pts	Pos
1	Léa ROY (48,00)	1 Kyu	Judo Quebec	XX		XX		XX		0	0	2
2	Launa HINTON (52,00)	1 Kyu	Abbotsford BC	10	XX	5	XX		XX	2	15	1

Matches/Matches

Match	White/Blanc			Blue/Bleu	Res/Rés	Tim/Tmp	Code
B-90	Léa ROY	1	2	Launa HINTON	0 - 10	3:59	WIP
B-95	Launa HINTON	2	1	Léa ROY	5 - 0	4:00	WAZ
B-100	Léa ROY	1	2	Launa HINTON			

Results/Résultats

Pos	Name/Nom
1	Launa HINTON, Abbotsford BC

U21 Women -57kg

Competitors/Compétiteurs

#	Name/Nom	Grade	Club	1	2	3	4	W/G	Pts	Pos
1	Tiffany COOLICAN (57,00)	shodan	Victoria BC	XX		10	10	2	20	2
2	Cheyenne FIANDOR (57,00)	shodan	Nanaimo BC	10	XX	10	10	3	30	1
3	Melody KROEKER (57,00)	1 Kyu	Brandon Judo Kan MB			XX		0	0	3
4	Mattie CALDWELL (57,00)	1 Kyu	Lethbridge Kyodokan AB			10	XX	1	10	3

Matches/Matches

Match	White/Blanc			Blue/Bleu	Res/Rés	Tim/Tmp	Code
B-88	Tiffany COOLICAN	1	2	Cheyenne FIANDOR	0 - 10	2:16	WIP
B-89	Melody KROEKER	3	4	Mattie CALDWELL	0 - 10	1:48	WIP
B-93	Tiffany COOLICAN	1	3	Melody KROEKER	10 - 0	0:44	WIP
B-94	Cheyenne FIANDOR	2	4	Mattie CALDWELL	10 - 0	0:32	IPO
B-98	Tiffany COOLICAN	1	4	Mattie CALDWELL	10 - 0	1:31	IPO
B-99	Cheyenne FIANDOR	2	3	Melody KROEKER	10 - 0	0:42	IPO

Results/Résultats

Pos	Name/Nom
1	Cheyenne FIANDOR, Nanaimo BC
2	Tiffany COOLICAN, Victoria BC
3	Mattie CALDWELL, Lethbridge Kyodokan AB

U21 Women -63kg

Competitors/Compétiteurs

#	Name/Nom	Grade	Club	1	2	1	2	1	2	W/G	Pts	Pos
1	Haley HENRY (63,00)	shodan	Campbell River BC	XX		XX		XX		0	0	2
2	Roxanne EMOND (63,00)	shodan	Judo Québec	10	XX	10	XX		XX	2	20	1

Matches/Matches

Match	White/Blanc			Blue/Bleu	Res/Rés	Tim/Tmp	Code
A-93	Haley HENRY	1	2	Roxanne EMOND	0 - 10	3:26	WIP
A-98	Roxanne EMOND	2	1	Haley HENRY	10 - 0	2:02	IPO
A-108	Haley HENRY	1	2	Roxanne EMOND			

Results/Résultats

Pos	Name/Nom
1	Roxanne EMOND, Judo Québec

U21 Women -70kg

Competitors/Compétiteurs

#	Name/Nom	Grade	Club	1	2	3	4	W/G	Pts	Pos
1	Abigail SIGURDSON (70,00)	shodan	Western Idaho Judo USA	XX		10		1	10	3
2	Alicia FIANDOR (70,00)	nidan	Nanaimo BC	10	XX	10	10	3	30	1
3	Nikki ZAWADZKI (70,00)	1 Kyu	Burnaby BC			XX		0	0	3
4	Coralie GODBOUT (70,00)	1 Kyu	Judo Québec	10		5	XX	2	15	2

Matches/Matches

Match	White/Blanc			Blue/Bleu	Res/Rés	Tim/Tmp	Code
C-88	Abigail SIGURDSON	1	2	Alicia FIANDOR	0 - 10	2:22	WIP
C-89	Nikki ZAWADZKI	3	4	Coralie GODBOUT	0 - 5	4:55	GSW
C-92	Abigail SIGURDSON	1	3	Nikki ZAWADZKI	10 - 0	2:13	WIP
C-91	Alicia FIANDOR	2	4	Coralie GODBOUT	10 - 0	5:44	HAN
C-95A	Abigail SIGURDSON	1	4	Coralie GODBOUT	0 - 10	2:39	WIP
C-98	Alicia FIANDOR	2	3	Nikki ZAWADZKI	10 - 0	4:00	WIP

Results/Résultats

Pos	Name/Nom
1	Alicia FIANDOR, Nanaimo BC
2	Coralie GODBOUT, Judo Québec
3	Abigail SIGURDSON, Western Idaho Judo USA

U21 Women -78kg

Competitors/Compétiteurs

#	Name/Nom	Grade	Club	1	2	1	2	1	2	W/G	Pts	Pos
1	Megan NEUMAN (78,00)	1 Kyu	Judo Saskatchewan	XX	10	XX	10	XX		2	20	1
2	Annabelle DARLOW (78,00)	1 Kyu	Lethbridge Kyodokan AB		XX		XX		XX	0	0	2

Matches/Matches

Match	White/Blanc			Blue/Bleu	Res/Rés	Tim/Tmp	Code
D-94	Megan NEUMAN	1	2	Annabelle DARLOW	10 - 0	4:12	GSI
D-99	Annabelle DARLOW	2	1	Megan NEUMAN	0 - 10	0:01	KIK
D-108	Megan NEUMAN	1	2	Annabelle DARLOW			

Results/Résultats

Pos	Name/Nom
1	Megan NEUMAN, Judo Saskatchewan