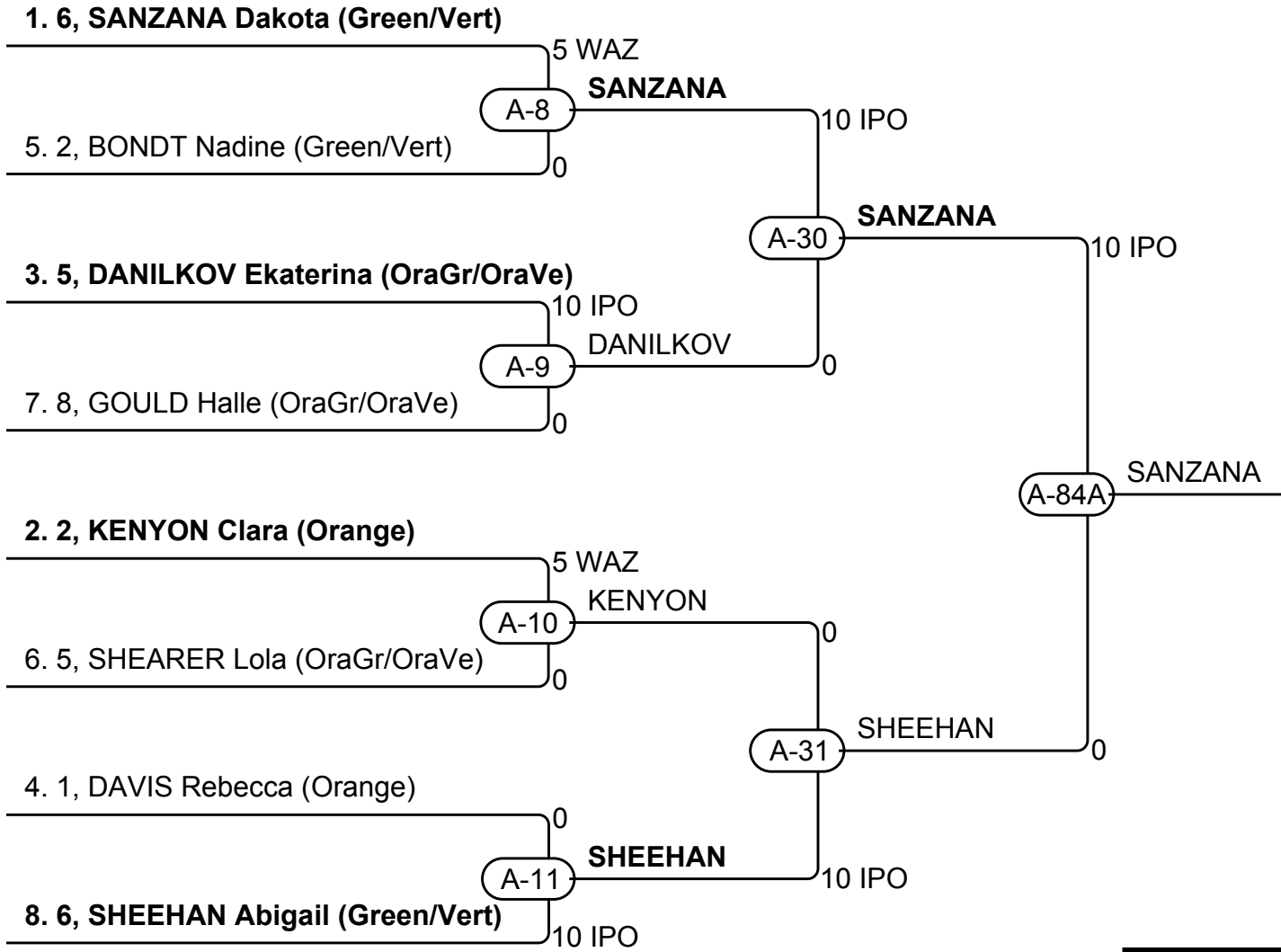


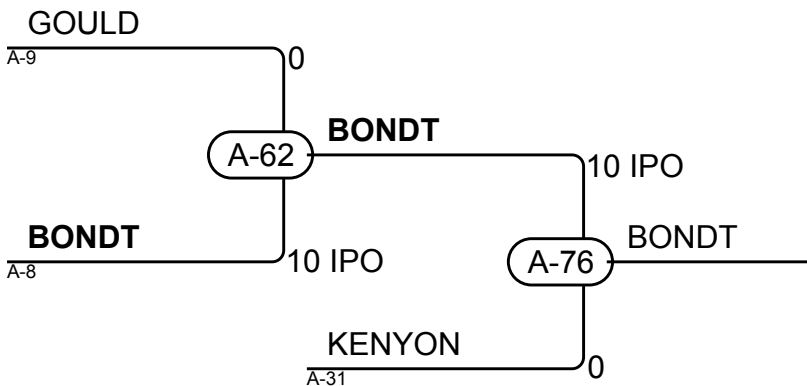
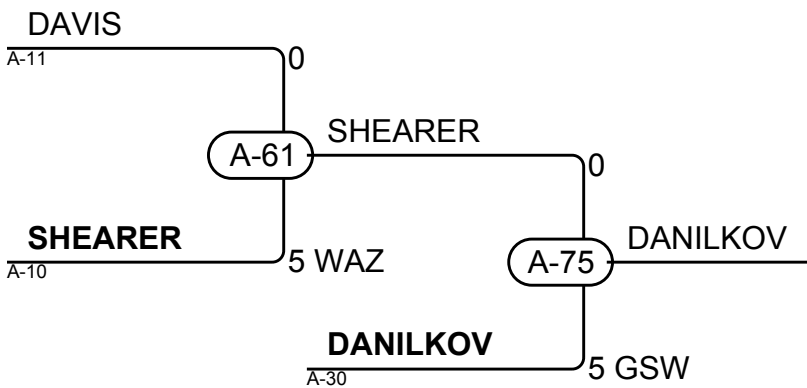
BC Winter Games 2018-02-23 Kamloops W-40

Competitors: 8



Results

| Pos | Name |
|-----|-----------------------|
| 1 | 6, SANZANA Dakota |
| 2 | 6, SHEEHAN Abigail |
| 3 | 5, DANILKOV Ekaterina |
| 3 | 2, BONDY Nadine |



BC Winter Games 2018-02-23 Kamloops W-44

Competitors: 4

Competitors

| # | Name | Grade | Club | 1 | 2 | 3 | 4 | Wins | Pts | Pos |
|---|----------------|-------------|------|----|----|----|----|------|-----|-----|
| 1 | SHEEHAN Olivia | Blue/Bleue | 6 | XX | 10 | 10 | 10 | 3 | 30 | 1 |
| 2 | ESPARBES Kylee | OraGr/OraVe | 5 | | XX | 5 | | 1 | 5 | 4 |
| 3 | PALLER Lola | Orange | 3 | | | XX | 10 | 1 | 10 | 2 |
| 4 | RAINBOW Marnie | OraGr/OraVe | 1 | | 5 | | XX | 1 | 5 | 3 |

Matches

| Match | White | | Blue | | Result | Time | Code |
|-------|-----------------------|---|------|-----------------------|--------|------|------|
| A-34 | SHEEHAN Olivia | 1 | 2 | ESPARBES Kylee | 10 - 0 | 0:50 | IPO |
| A-35 | PALLER Lola | 3 | 4 | RAINBOW Marnie | 10 - 0 | 6:16 | GSI |
| A-50 | SHEEHAN Olivia | 1 | 3 | PALLER Lola | 10 - 0 | 0:42 | IPO |
| A-51 | ESPARBES Kylee | 2 | 4 | RAINBOW Marnie | 0 - 5 | 3:43 | GSW |
| A-65 | SHEEHAN Olivia | 1 | 4 | RAINBOW Marnie | 10 - 0 | 1:03 | IPO |
| A-66 | ESPARBES Kylee | 2 | 3 | PALLER Lola | 5 - 0 | 3:00 | WAZ |

Results

| Pos | Name |
|-----|-------------------|
| 1 | 6, SHEEHAN Olivia |
| 2 | 3, PALLER Lola |
| 3 | 1, RAINBOW Marnie |
| 4 | 5, ESPARBES Kylee |

BC Winter Games 2018-02-23 Kamloops W-48

Competitors: 6

Competitors A

| # | Name | Grade | Club | 1 | 2 | 3 | Wins | Pts | Pos |
|---|------------------|-------------|------|----|----|----|------|-----|-----|
| 1 | KUCHER Alexandra | OraGr/OraVe | 5 | XX | | | 0 | 0 | 3 |
| 2 | KO Hailey | Green/Vert | 5 | 10 | XX | | 1 | 10 | 2 |
| 3 | LOLIEVA Rakiia | Green/Vert | 4 | 10 | 10 | XX | 2 | 20 | 1 |

Matches A

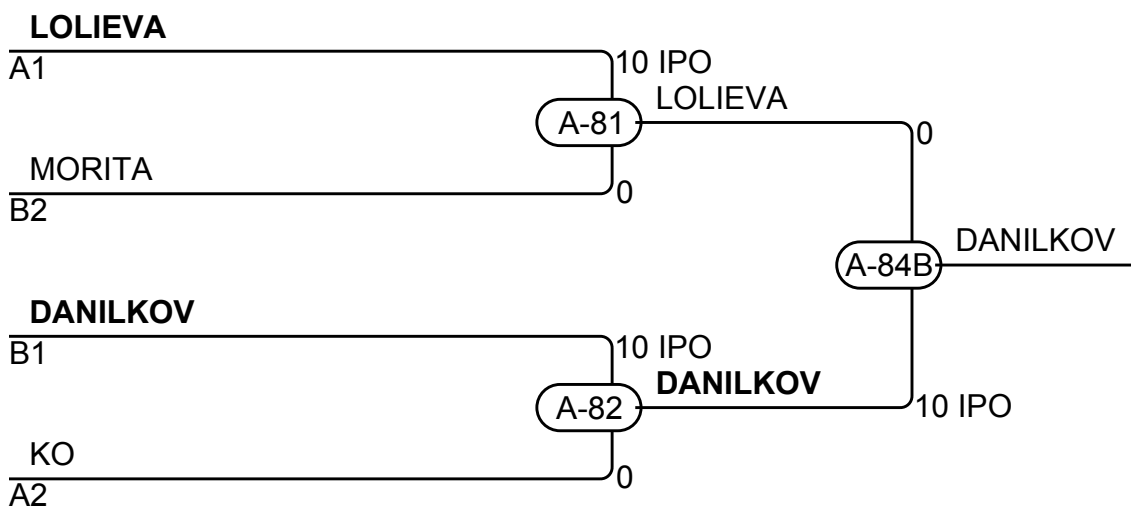
| Match | White | Blue | Result | Time | Code |
|-------|-------------------------|----------------|--------|------|------|
| A-38 | KUCHER Alexandra 1 2 | KO Hailey | 0 - 10 | 1:23 | IPO |
| A-54 | KUCHER Alexandra 1 3 | LOLIEVA Rakiia | 0 - 10 | 0:13 | IPO |
| A-69 | KO Hailey 2 3 | LOLIEVA Rakiia | 0 - 10 | 2:01 | IPO |

Competitors B

| # | Name | Grade | Club | 4 | 5 | 6 | Wins | Pts | Pos |
|---|------------------|------------|------|----|----|----|------|-----|-----|
| 4 | MORITA Ayumi | Green/Vert | 4 | XX | 5 | | 1 | 5 | 2 |
| 5 | FABBRO Emily | Orange | 1 | | XX | | 0 | 0 | 3 |
| 6 | DANILKOV Klavdia | Green/Vert | 5 | 10 | 10 | XX | 2 | 20 | 1 |

Matches B

| Match | White | Blue | Result | Time | Code |
|-------|---------------------|------------------|--------|------|------|
| A-39 | MORITA Ayumi 4 5 | FABBRO Emily | 5 - 0 | 3:00 | WAZ |
| A-55 | MORITA Ayumi 4 6 | DANILKOV Klavdia | 0 - 10 | 2:38 | IPO |
| A-70 | FABBRO Emily 5 6 | DANILKOV Klavdia | 0 - 10 | 2:13 | IPO |



Results

| Pos | Name |
|-----|---------------------|
| 1 | 5, DANILKOV Klavdia |
| 2 | 4, LOLIEVA Rakiia |
| 3 | 4, MORITA Ayumi |
| 3 | 5, KO Hailey |

BC Winter Games 2018-02-23 Kamloops W-52

Competitors: 5

Competitors

| # | Name | Grade | Club | 1 | 2 | 3 | 4 | 5 | Wins | Pts | Pos |
|---|-------------------|-------------|------|----|----|----|----|----|------|-----|-----|
| 1 | AL-ASHOOR Jasmine | Orange | 4 | XX | 10 | 10 | 10 | 10 | 4 | 40 | 1 |
| 2 | GREENE Isabella | Green/Vert | 6 | | XX | 10 | 10 | 10 | 3 | 30 | 2 |
| 3 | RICHERS Cassia | OraGr/OraVe | 1 | | | XX | 10 | | 1 | 10 | 4 |
| 4 | KATALINIC Sadie | Orange | 4 | | | | XX | | 0 | 0 | 5 |
| 5 | MARSTON Marlin | Green/Vert | 6 | | | 10 | 10 | XX | 2 | 20 | 3 |

Matches

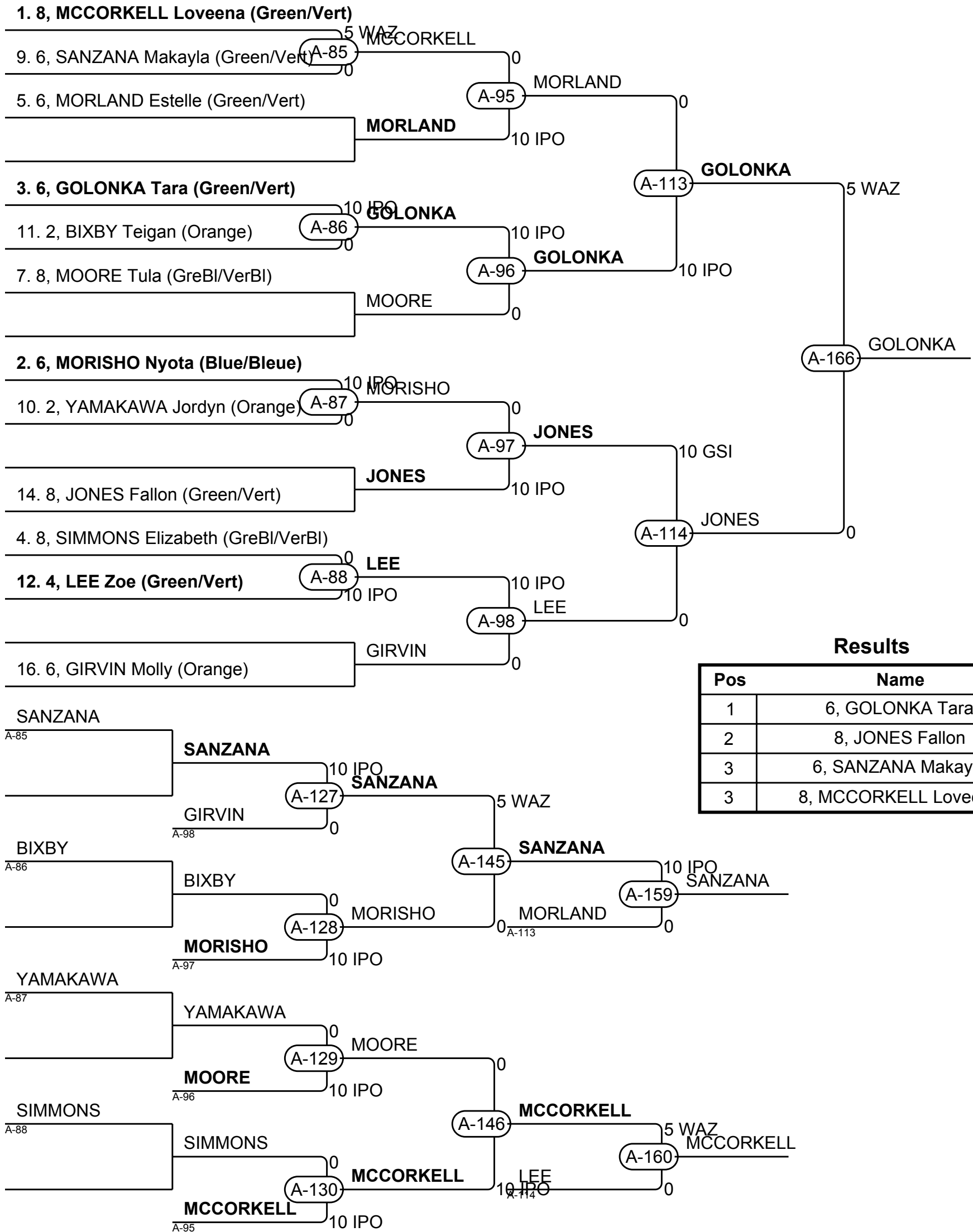
| Match | White | | | Blue | Result | Time | Code |
|-------|--------------------------|---|---|-----------------------|--------|------|------|
| A-89 | KATALINIC Sadie | 4 | 5 | MARSTON Marlin | 0 - 10 | 0:19 | IPO |
| A-90 | AL-ASHOOR Jasmine | 1 | 2 | GREENE Isabella | 10 - 0 | 0:34 | IPO |
| A-103 | RICHERS Cassia | 3 | 4 | KATALINIC Sadie | 10 - 0 | 0:19 | IPO |
| A-104 | AL-ASHOOR Jasmine | 1 | 5 | MARSTON Marlin | 10 - 0 | 2:04 | IPO |
| A-109 | GREENE Isabella | 2 | 3 | RICHERS Cassia | 10 - 0 | 0:35 | IPO |
| A-110 | AL-ASHOOR Jasmine | 1 | 4 | KATALINIC Sadie | 10 - 0 | 0:19 | IPO |
| A-125 | RICHERS Cassia | 3 | 5 | MARSTON Marlin | 0 - 10 | 0:58 | IPO |
| A-126 | GREENE Isabella | 2 | 4 | KATALINIC Sadie | 10 - 0 | 0:07 | IPO |
| A-141 | AL-ASHOOR Jasmine | 1 | 3 | RICHERS Cassia | 10 - 0 | 0:49 | IPO |
| A-142 | GREENE Isabella | 2 | 5 | MARSTON Marlin | 10 - 0 | 0:28 | IPO |

Results

| Pos | Name |
|-----|----------------------|
| 1 | 4, AL-ASHOOR Jasmine |
| 2 | 6, GREENE Isabella |
| 3 | 6, MARSTON Marlin |
| 4 | 1, RICHERS Cassia |
| 5 | 4, KATALINIC Sadie |

BC Winter Games 2018-02-23 Kamloops W-57

Competitors: 12



BC Winter Games 2018-02-23 Kamloops W-63

Competitors: 5

Competitors

| # | Name | Grade | Club | 1 | 2 | 3 | 4 | 5 | Wins | Pts | Pos |
|---|-----------------|--------------|------|----|----|----|----|----|------|-----|-----|
| 1 | LUND Tianna | Green/Vert | 6 | XX | | 5 | 5 | | 2 | 10 | 3 |
| 2 | EDSON Sydney | Brown/Marron | 8 | 10 | XX | 10 | 10 | 5 | 4 | 35 | 1 |
| 3 | LOWENSTEIN Jade | Green/Vert | 2 | | | XX | | | 0 | 0 | 5 |
| 4 | AGASSIZ Kaylin | Green/Vert | 3 | | | 5 | XX | | 1 | 5 | 4 |
| 5 | CALDER Mira | Blue/Bleue | 6 | 10 | | 10 | 10 | XX | 3 | 30 | 2 |

Matches

| Match | White | | | Blue | Result | Time | Code |
|--------|-----------------|---|---|-----------------|--------|------|------|
| A-99 | AGASSIZ Kaylin | 4 | 5 | CALDER Mira | 0 - 10 | 2:39 | IPO |
| A-100 | LUND Tianna | 1 | 2 | EDSON Sydney | 0 - 10 | 1:48 | IPO |
| A-105 | LOWENSTEIN Jade | 3 | 4 | AGASSIZ Kaylin | 0 - 5 | 3:00 | WAZ |
| A-106 | LUND Tianna | 1 | 5 | CALDER Mira | 0 - 10 | 1:41 | IPO |
| A-117 | EDSON Sydney | 2 | 3 | LOWENSTEIN Jade | 10 - 0 | 0:33 | IPO |
| A-118 | LUND Tianna | 1 | 4 | AGASSIZ Kaylin | 5 - 0 | 3:52 | GSW |
| A-133 | LOWENSTEIN Jade | 3 | 5 | CALDER Mira | 0 - 10 | 0:50 | IPO |
| A-134 | EDSON Sydney | 2 | 4 | AGASSIZ Kaylin | 10 - 0 | 3:00 | IPO |
| A-149 | LUND Tianna | 1 | 3 | LOWENSTEIN Jade | 5 - 0 | 3:00 | WAZ |
| A-164A | EDSON Sydney | 2 | 5 | CALDER Mira | 5 - 0 | 3:00 | WAZ |

Results

| Pos | Name |
|-----|--------------------|
| 1 | 8, EDSON Sydney |
| 2 | 6, CALDER Mira |
| 3 | 6, LUND Tianna |
| 4 | 3, AGASSIZ Kaylin |
| 5 | 2, LOWENSTEIN Jade |

BC Winter Games 2018-02-23 Kamloops W+70

Competitors: 4

Competitors

| # | Name | Grade | Club | 1 | 2 | 3 | 4 | Wins | Pts | Pos |
|---|----------------|-------------|------|----|----|----|----|------|-----|-----|
| 1 | WEBB Dakota | Green/Vert | 6 | XX | | 10 | 10 | 2 | 20 | 2 |
| 2 | BURGESS Willow | Blue/Bleue | 3 | 10 | XX | 10 | 10 | 3 | 30 | 1 |
| 3 | KUCHER Emma | Green/Vert | 5 | | | XX | 10 | 1 | 10 | 3 |
| 4 | LINDSAY Emily | OraGr/OraVe | 2 | | | | XX | 0 | 0 | 4 |

Matches

| Match | White | | Blue | | Result | Time | Code |
|-------|----------------|-----|----------------|--|--------|------|------|
| A-121 | WEBB Dakota | 1 2 | BURGESS Willow | | 0 - 10 | 0:30 | IPO |
| A-122 | KUCHER Emma | 3 4 | LINDSAY Emily | | 10 - 0 | 1:17 | IPO |
| A-137 | WEBB Dakota | 1 3 | KUCHER Emma | | 10 - 0 | 0:41 | IPO |
| A-138 | BURGESS Willow | 2 4 | LINDSAY Emily | | 10 - 0 | 0:06 | IPO |
| A-153 | WEBB Dakota | 1 4 | LINDSAY Emily | | 10 - 0 | 1:31 | IPO |
| A-154 | BURGESS Willow | 2 3 | KUCHER Emma | | 10 - 0 | 0:31 | IPO |

Results

| Pos | Name |
|-----|-------------------|
| 1 | 3, BURGESS Willow |
| 2 | 6, WEBB Dakota |
| 3 | 5, KUCHER Emma |
| 4 | 2, LINDSAY Emily |

BC Winter Games 2018-02-23 Kamloops M-34

Competitors: 5

Competitors

| # | Name | Grade | Club | 1 | 2 | 3 | 4 | 5 | Wins | Pts | Pos |
|---|----------------|-------------|------|----|----|----|----|----|------|-----|-----|
| 1 | JOE Zackery | Orange | 4 | XX | 10 | 10 | 10 | 5 | 4 | 35 | 1 |
| 2 | WONG Jaime | OraGr/OraVe | 5 | | XX | | | | 0 | 0 | 5 |
| 3 | BOULDING Aaron | Green/Vert | 6 | | 10 | XX | 10 | 10 | 3 | 30 | 2 |
| 4 | FRIZZELL Ethan | Green/Vert | 8 | | 10 | | XX | | 1 | 10 | 4 |
| 5 | FABBRO Daniel | Orange | 1 | | 10 | | 10 | XX | 2 | 20 | 3 |

Matches

| Match | White | | | Blue | Result | Time | Code |
|-------|-----------------------|---|---|-----------------------|--------|------|------|
| A-24 | FRIZZELL Ethan | 4 | 5 | FABBRO Daniel | 0 - 10 | 2:58 | IPO |
| A-25 | JOE Zackery | 1 | 2 | WONG Jaime | 10 - 0 | 1:32 | IPO |
| A-26 | BOULDING Aaron | 3 | 4 | FRIZZELL Ethan | 10 - 0 | 2:03 | IPO |
| A-27 | JOE Zackery | 1 | 5 | FABBRO Daniel | 5 - 0 | 3:00 | WAZ |
| A-42 | WONG Jaime | 2 | 3 | BOULDING Aaron | 0 - 10 | 1:19 | IPO |
| A-43 | JOE Zackery | 1 | 4 | FRIZZELL Ethan | 10 - 0 | 0:32 | IPO |
| A-57 | BOULDING Aaron | 3 | 5 | FABBRO Daniel | 10 - 0 | 0:37 | IPO |
| A-58 | WONG Jaime | 2 | 4 | FRIZZELL Ethan | 0 - 10 | 4:12 | GSI |
| A-73 | JOE Zackery | 1 | 3 | BOULDING Aaron | 10 - 0 | 0:09 | IPO |
| A-74 | WONG Jaime | 2 | 5 | FABBRO Daniel | 0 - 10 | 0:49 | IPO |

Results

| Pos | Name |
|-----|-------------------|
| 1 | 4, JOE Zackery |
| 2 | 6, BOULDING Aaron |
| 3 | 1, FABBRO Daniel |
| 4 | 8, FRIZZELL Ethan |
| 5 | 5, WONG Jaime |

BC Winter Games 2018-02-23 Kamloops M-38

Competitors: 4

Competitors

| # | Name | Grade | Club | 1 | 2 | 3 | 4 | Wins | Pts | Pos |
|---|----------------|-------------|------|----|----|----|----|------|-----|-----|
| 1 | SMITH Flynn | Orange | 8 | XX | 5 | | | 1 | 5 | 4 |
| 2 | COMLEY Kiyoshi | OraGr/OraVe | 2 | | XX | 10 | | 1 | 10 | 2 |
| 3 | HILMAN Corbin | Green/Vert | 8 | 10 | | XX | | 1 | 10 | 3 |
| 4 | VELONAS Peter | Green/Vert | 4 | 10 | 5 | 10 | XX | 3 | 25 | 1 |

Matches

| Match | White | | | Blue | Result | Time | Code |
|-------|-----------------------|---|---|----------------------|--------|------|------|
| A-28 | SMITH Flynn | 1 | 2 | COMLEY Kiyoshi | 5 - 0 | 3:00 | WAZ |
| A-29 | HILMAN Corbin | 3 | 4 | VELONAS Peter | 0 - 10 | 3:00 | IPO |
| A-44 | SMITH Flynn | 1 | 3 | HILMAN Corbin | 0 - 10 | 0:40 | IPO |
| A-45 | COMLEY Kiyoshi | 2 | 4 | VELONAS Peter | 0 - 5 | 3:00 | WAZ |
| A-59 | SMITH Flynn | 1 | 4 | VELONAS Peter | 0 - 10 | 0:22 | IPO |
| A-60 | COMLEY Kiyoshi | 2 | 3 | HILMAN Corbin | 10 - 0 | 3:00 | IPO |

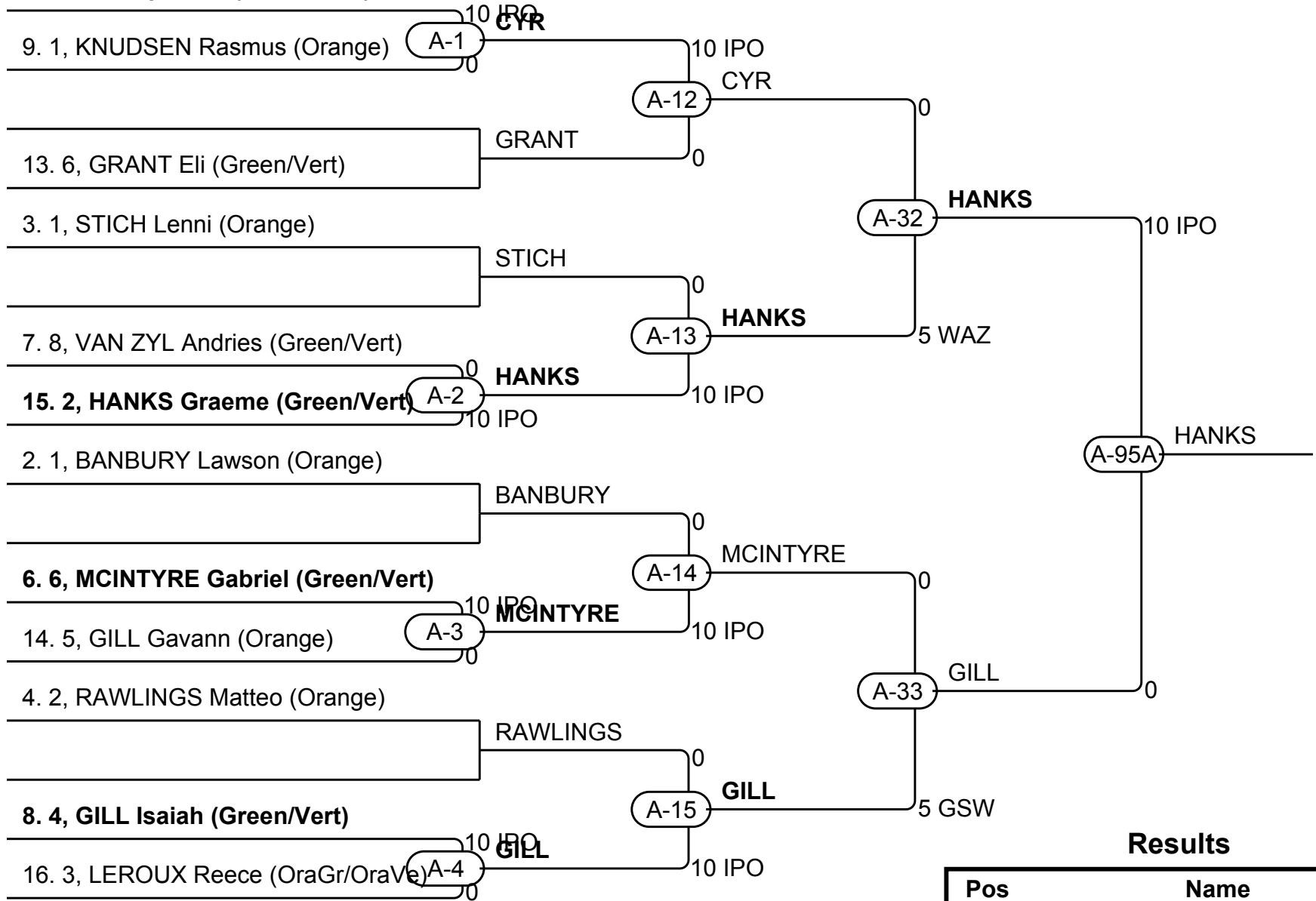
Results

| Pos | Name |
|-----|-------------------|
| 1 | 4, VELONAS Peter |
| 2 | 2, COMLEY Kiyoshi |
| 3 | 8, HILMAN Corbin |
| 4 | 8, SMITH Flynn |

BC Winter Games 2018-02-23 Kamloops M-42

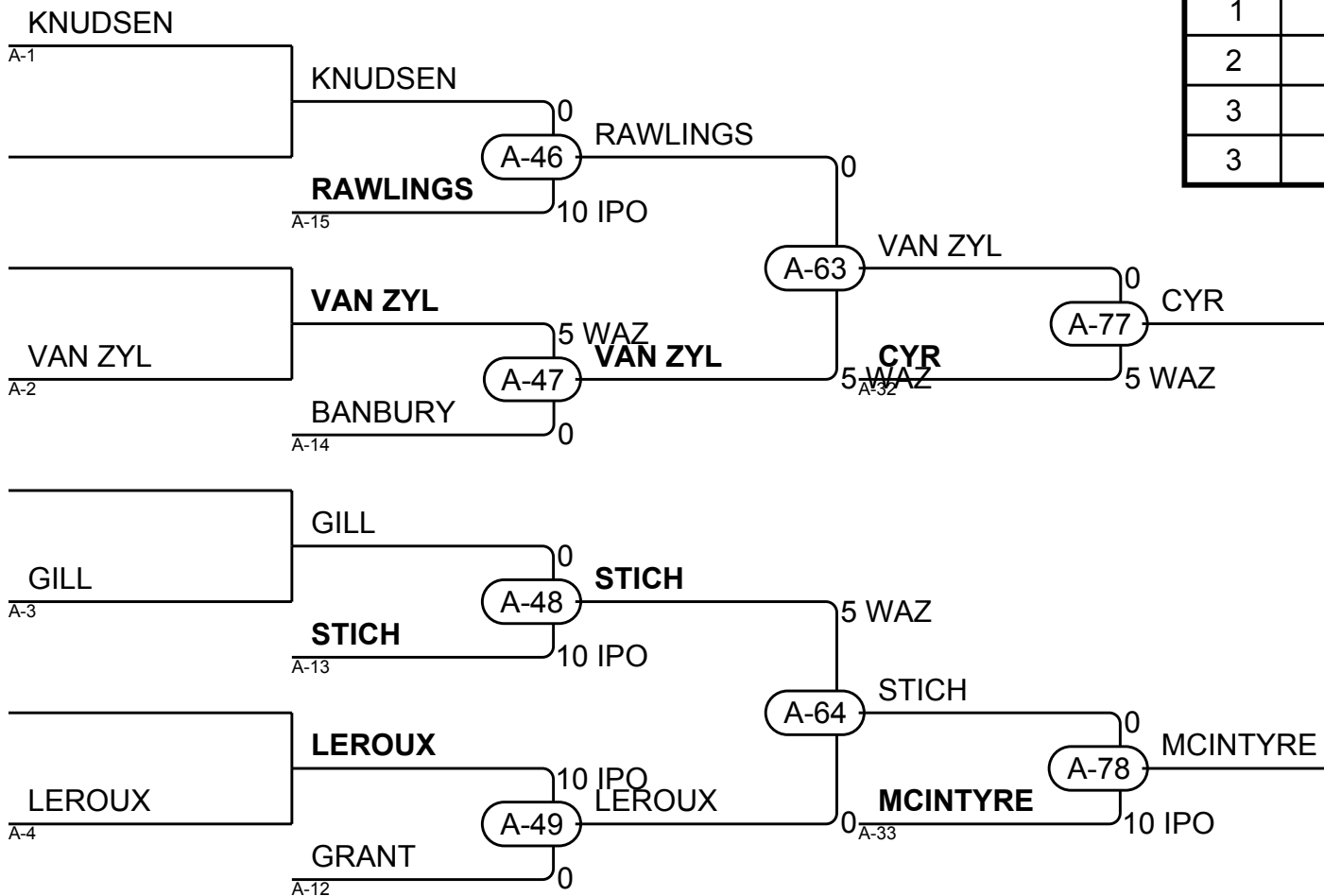
Competitors: 12

1. 3, CYR Spencer (Green/Vert)



Results

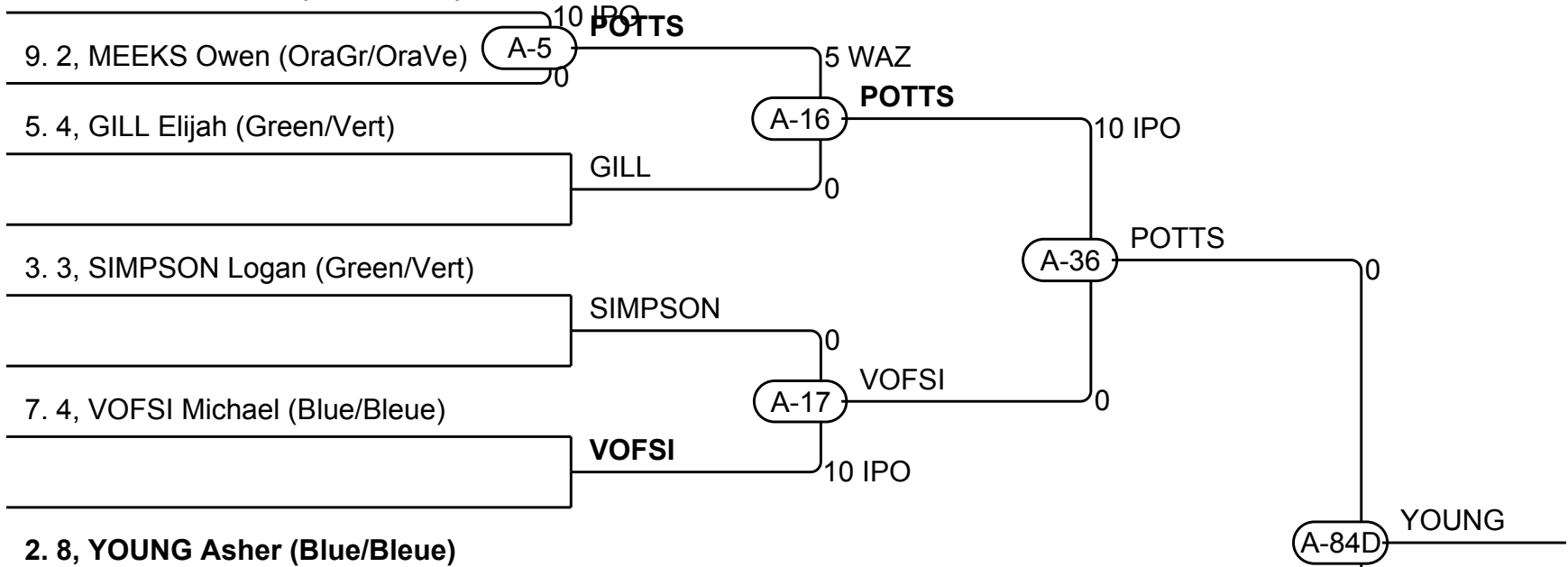
| Pos | Name |
|-----|---------------------|
| 1 | 2, HANKS Graeme |
| 2 | 4, GILL Isaiah |
| 3 | 3, CYR Spencer |
| 3 | 6, MCINTYRE Gabriel |



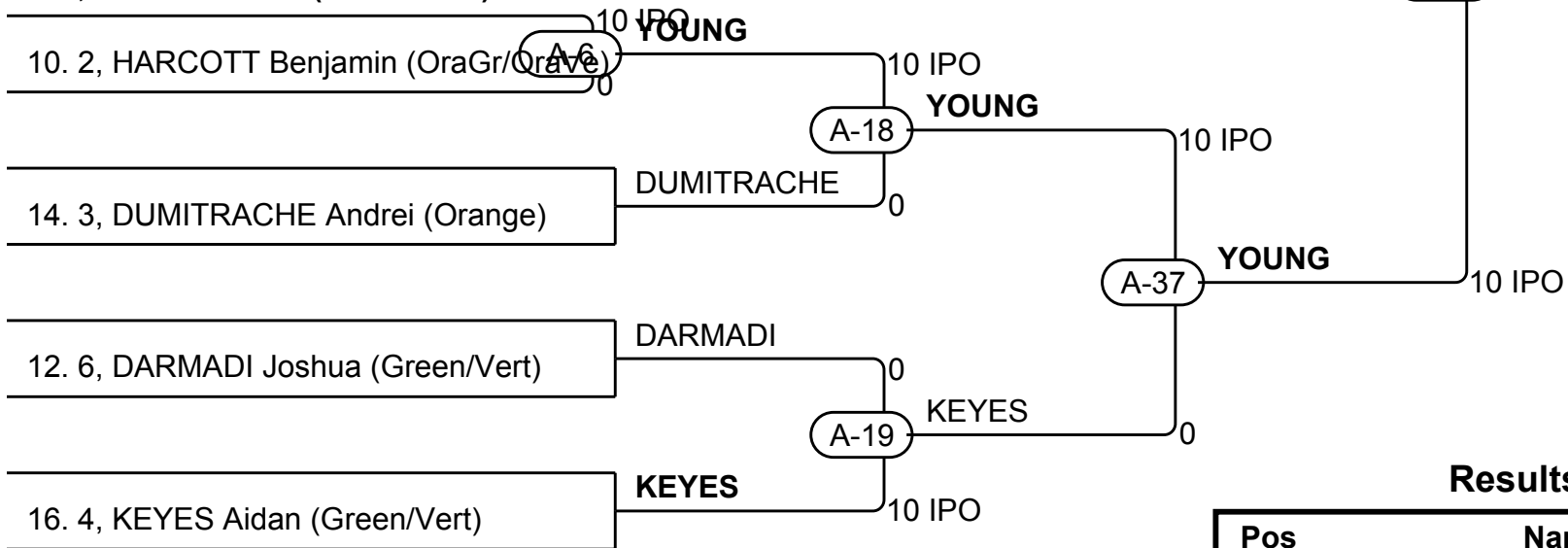
BC Winter Games 2018-02-23 Kamloops M-46

Competitors: 10

1. 6, POTTS Marcus (Green/Vert)



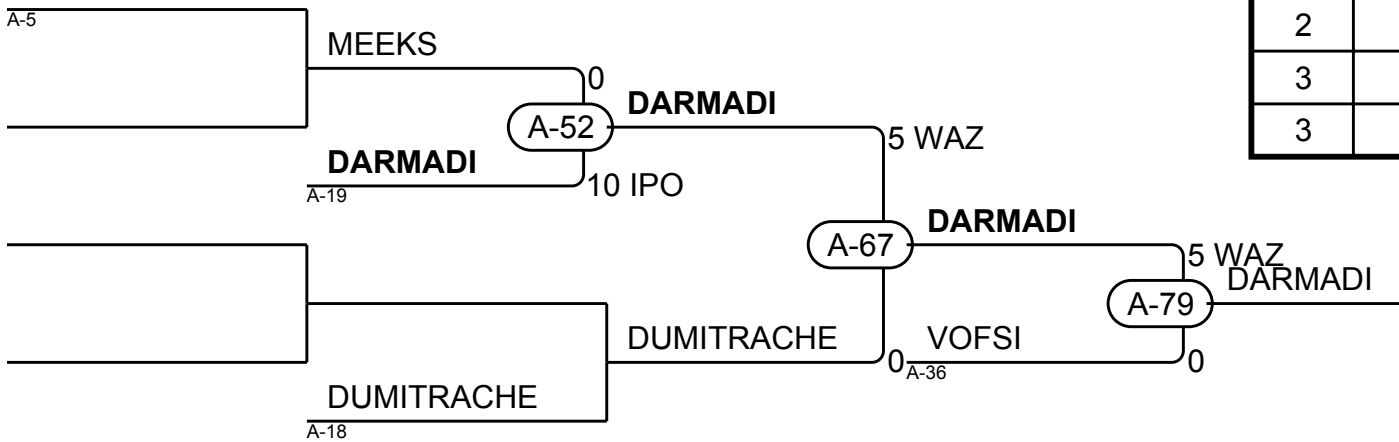
2. 8, YOUNG Asher (Blue/Bleue)



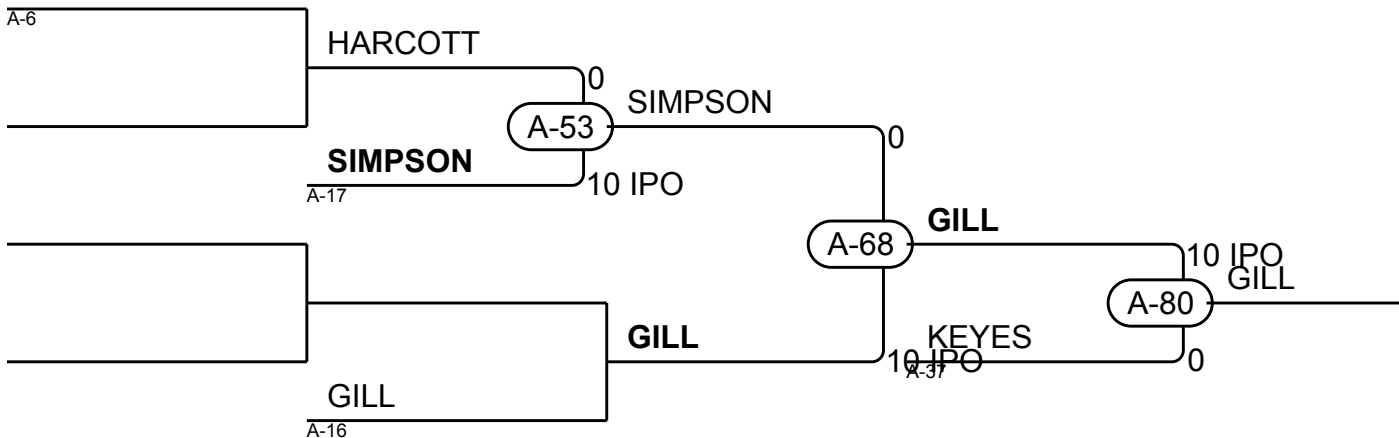
Results

| Pos | Name |
|-----|-------------------|
| 1 | 8, YOUNG Asher |
| 2 | 6, POTTS Marcus |
| 3 | 6, DARMADI Joshua |
| 3 | 4, GILL Elijah |

MEEKS

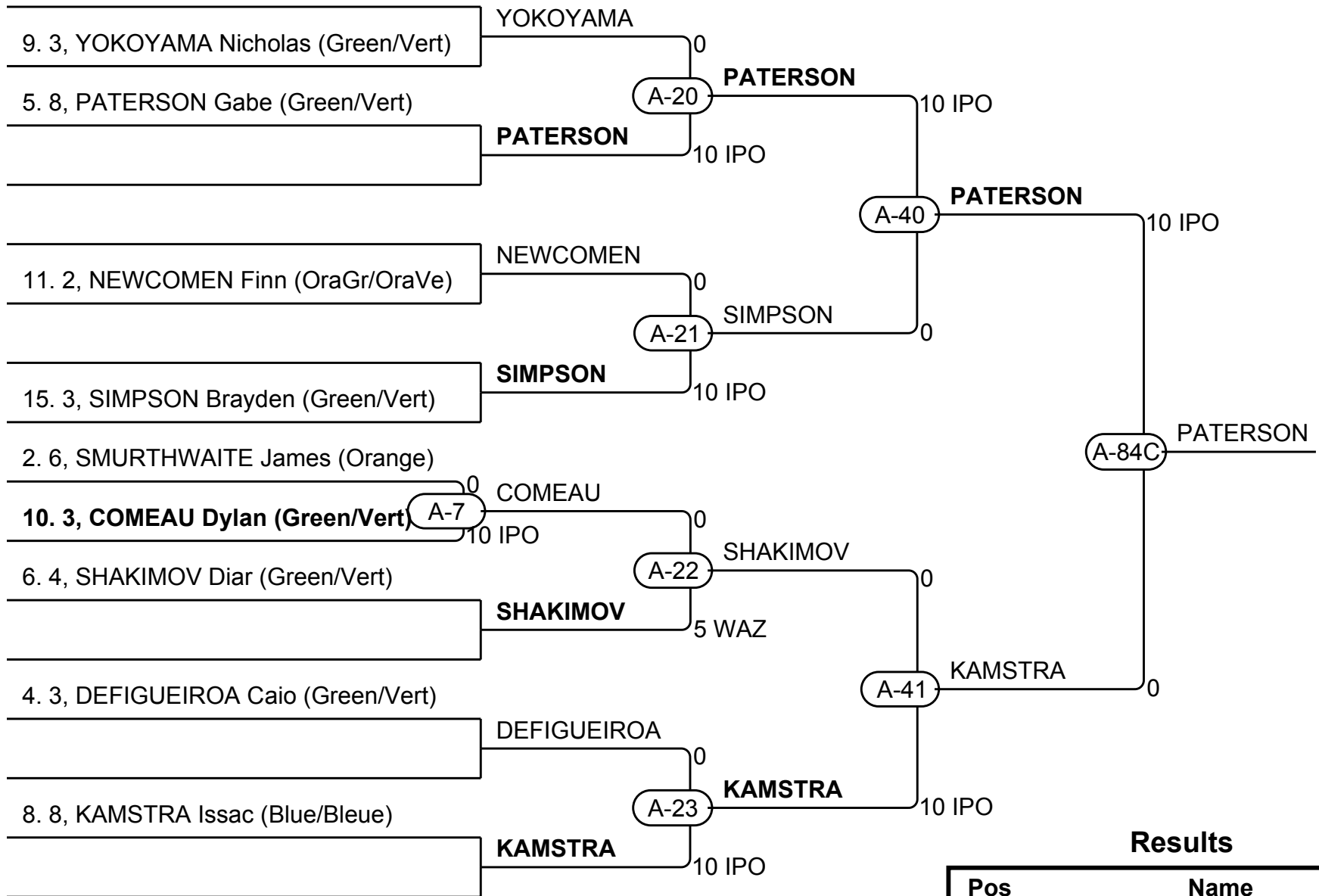


HARCOTT



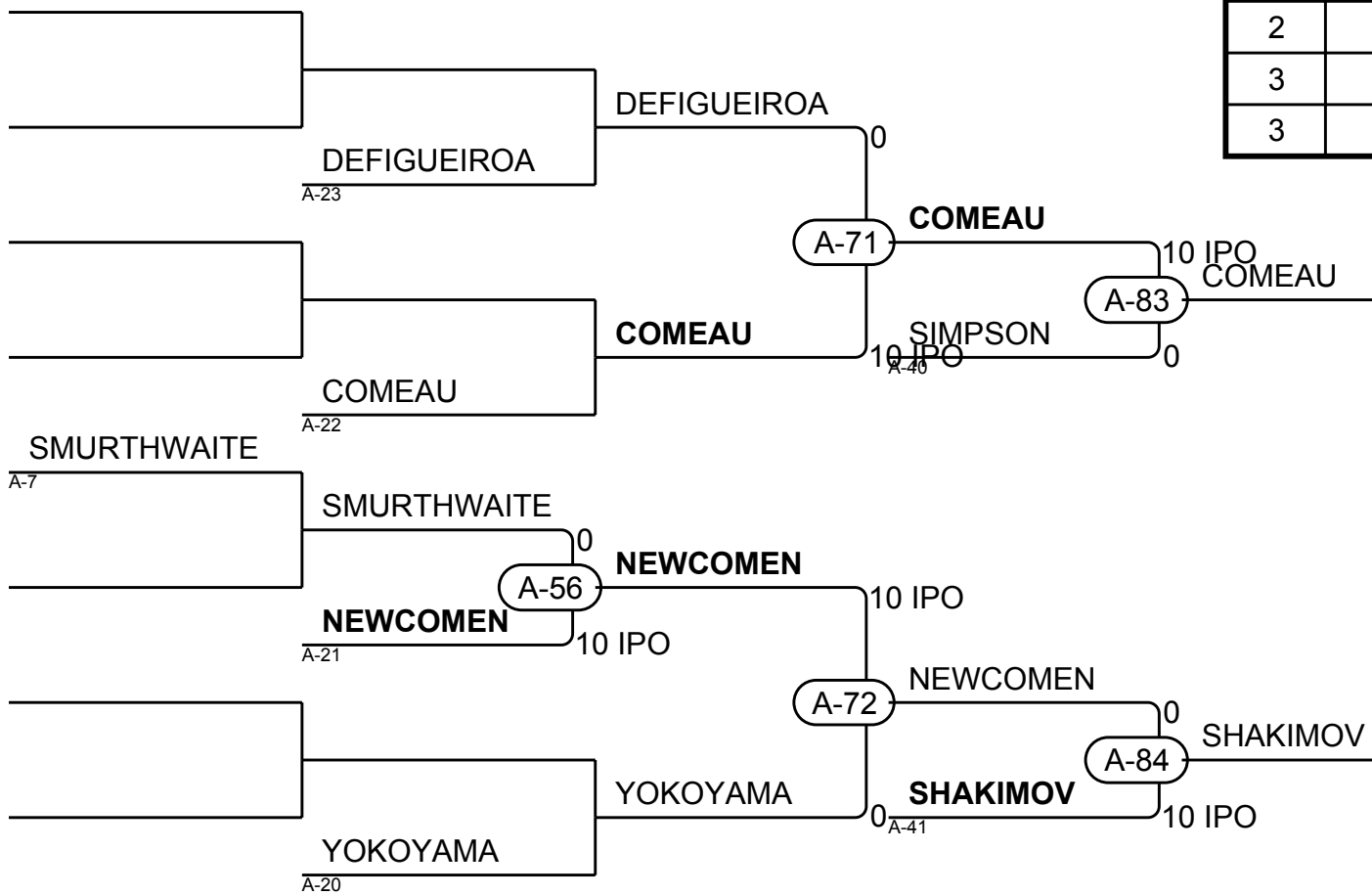
BC Winter Games 2018-02-23 Kamloops M-50

Competitors: 9



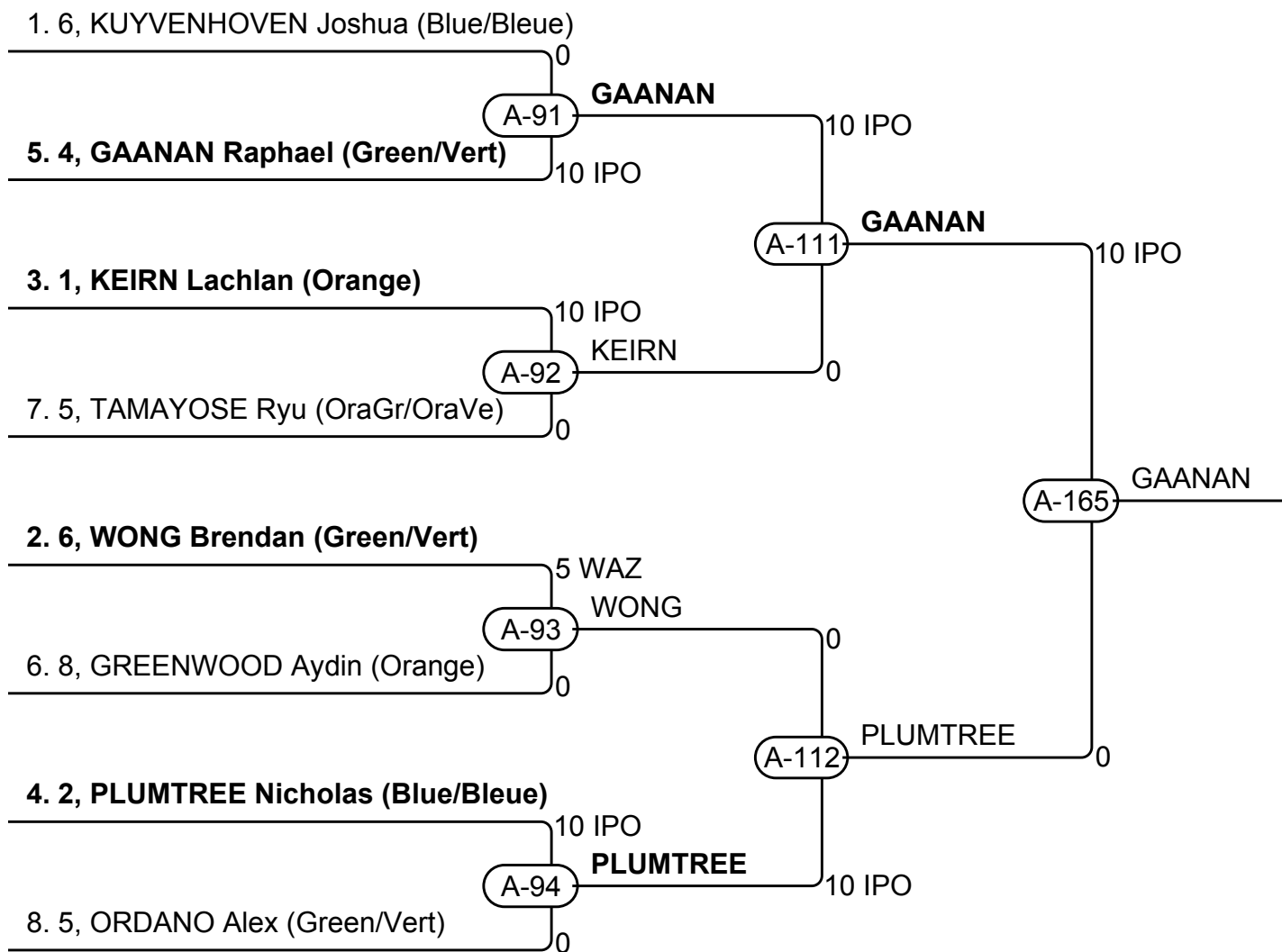
Results

| Pos | Name |
|-----|------------------|
| 1 | 8, PATERSON Gabe |
| 2 | 8, KAMSTRA Issac |
| 3 | 3, COMEAU Dylan |
| 3 | 4, SHAKIMOV Diar |



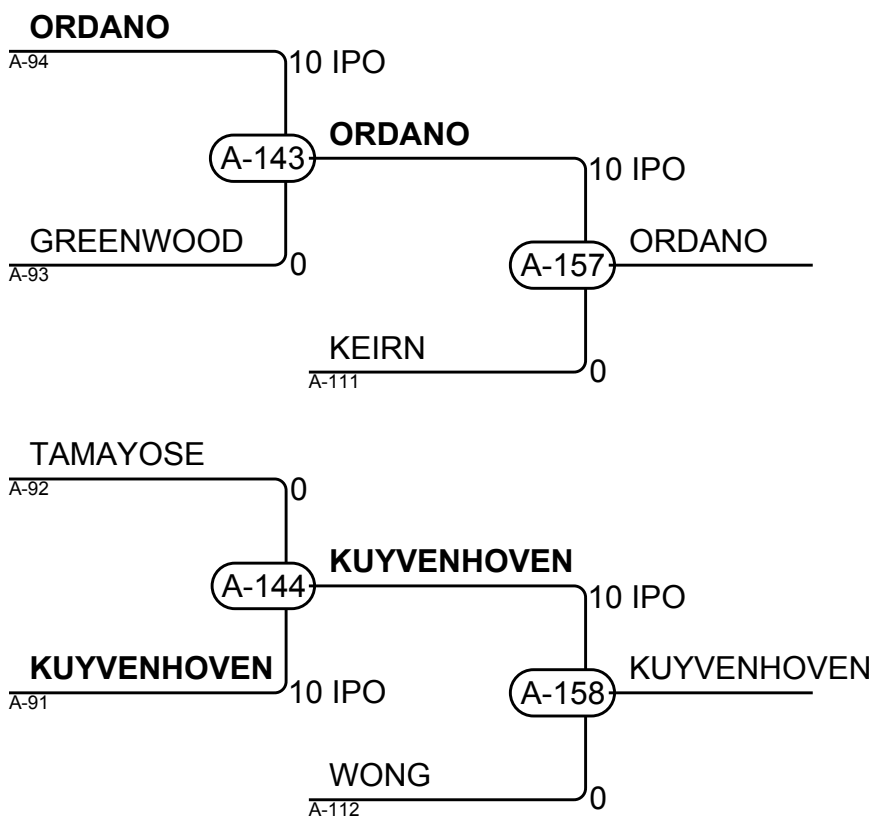
BC Winter Games 2018-02-23 Kamloops M-55

Competitors: 8



Results

| Pos | Name |
|-----|-----------------------|
| 1 | 4, GAANAN Raphael |
| 2 | 2, PLUMTREE Nicholas |
| 3 | 5, ORDANO Alex |
| 3 | 6, KUYVENHOVEN Joshua |



BC Winter Games 2018-02-23 Kamloops M-60

Competitors: 6

Competitors A

| # | Name | Grade | Club | 1 | 2 | 3 | Wins | Pts | Pos |
|---|----------------|------------|------|----|----|----|------|-----|-----|
| 1 | HILL Brandon | Orange | 8 | XX | | | 0 | 0 | 3 |
| 2 | AUCH Wyatt | Blue/Bleue | 2 | 10 | XX | | 1 | 10 | 2 |
| 3 | KOMNENOVIC Kai | Green/Vert | 5 | 10 | 10 | XX | 2 | 20 | 1 |

Matches A

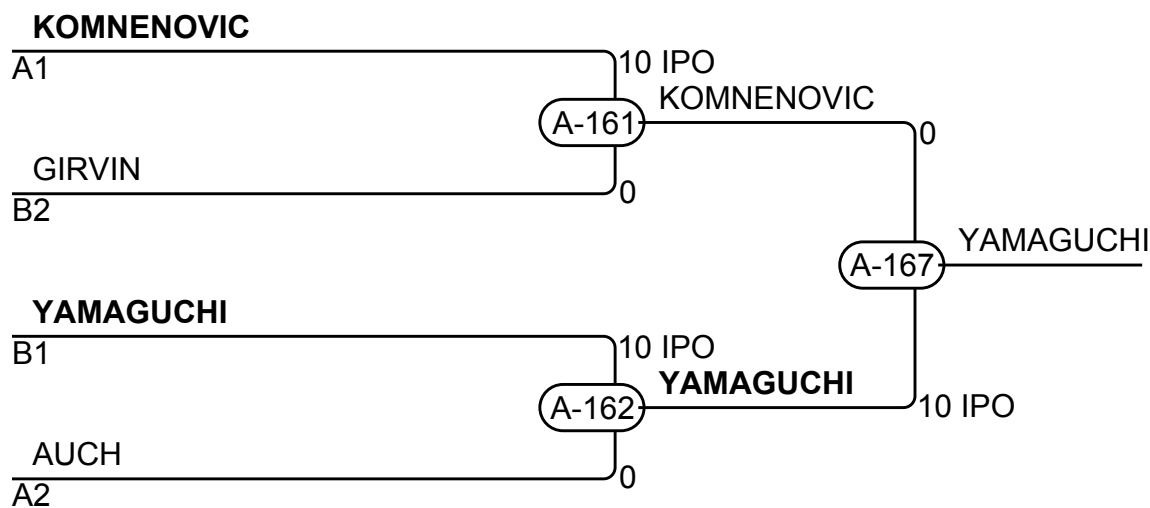
| Match | White | Blue | Result | Time | Code |
|-------|---------------------|----------------|--------|------|------|
| A-115 | HILL Brandon 1 2 | AUCH Wyatt | 0 - 10 | 0:43 | IPO |
| A-131 | HILL Brandon 1 3 | KOMNENOVIC Kai | 0 - 10 | 2:30 | IPO |
| A-147 | AUCH Wyatt 2 3 | KOMNENOVIC Kai | 0 - 10 | 0:53 | IPO |

Competitors B

| # | Name | Grade | Club | 4 | 5 | 6 | Wins | Pts | Pos |
|---|------------------|------------|------|----|----|----|------|-----|-----|
| 4 | SESSA Layne | Orange | 2 | XX | | | 0 | 0 | 3 |
| 5 | GIRVIN Fergus | Green/Vert | 6 | 10 | XX | | 1 | 10 | 2 |
| 6 | YAMAGUCHI Hiromu | Green/Vert | 4 | 10 | 10 | XX | 2 | 20 | 1 |

Matches B

| Match | White | Blue | Result | Time | Code |
|-------|----------------------|------------------|--------|------|------|
| A-116 | SESSA Layne 4 5 | GIRVIN Fergus | 0 - 10 | 0:07 | IPO |
| A-132 | SESSA Layne 4 6 | YAMAGUCHI Hiromu | 0 - 10 | 0:26 | IPO |
| A-148 | GIRVIN Fergus 5 6 | YAMAGUCHI Hiromu | 0 - 10 | 0:06 | IPO |



Results

| Pos | Name |
|-----|---------------------|
| 1 | 4, YAMAGUCHI Hiromu |
| 2 | 5, KOMNENOVIC Kai |
| 3 | 6, GIRVIN Fergus |
| 3 | 2, AUCH Wyatt |

BC Winter Games 2018-02-23 Kamloops M-66

Competitors: 6

Competitors A

| # | Name | Grade | Club | 1 | 2 | 3 | Wins | Pts | Pos |
|---|----------------|--------------|------|----|----|----|------|-----|-----|
| 1 | SCHENK Emil | Brown/Marron | 5 | XX | 10 | 10 | 2 | 20 | 1 |
| 2 | ROBSON Zachary | Green/Vert | 6 | | XX | | 0 | 0 | 3 |
| 3 | WILSON Jaeden | Green/Vert | 8 | | 10 | XX | 1 | 10 | 2 |

Matches A

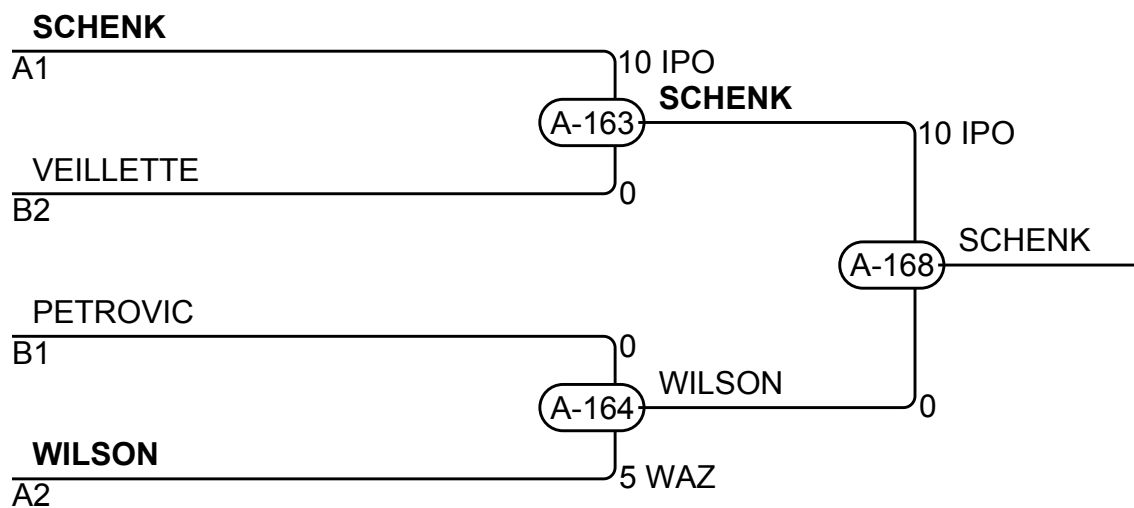
| Match | White | Blue | Result | Time | Code |
|-------|------------------------|----------------------|--------|------|------|
| A-119 | SCHENK Emil 1 2 | ROBSON Zachary | 10 - 0 | 0:05 | IPO |
| A-135 | SCHENK Emil 1 3 | WILSON Jaeden | 10 - 0 | 1:02 | IPO |
| A-151 | ROBSON Zachary 2 3 | WILSON Jaeden | 0 - 10 | 0:38 | IPO |

Competitors B

| # | Name | Grade | Club | 4 | 5 | 6 | Wins | Pts | Pos |
|---|--------------------|------------|------|----|----|----|------|-----|-----|
| 4 | VEILLETTE Noah | Green/Vert | 5 | XX | 10 | | 1 | 10 | 2 |
| 5 | MICHALUK Alexander | Orange | 6 | | XX | | 0 | 0 | 3 |
| 6 | PETROVIC Nikola | Blue/Bleue | 4 | 10 | 10 | XX | 2 | 20 | 1 |

Matches B

| Match | White | Blue | Result | Time | Code |
|-------|---------------------------|------------------------|--------|------|------|
| A-120 | VEILLETTE Noah 4 5 | MICHALUK Alexander | 10 - 0 | 0:11 | IPO |
| A-136 | VEILLETTE Noah 4 6 | PETROVIC Nikola | 0 - 10 | 2:39 | IPO |
| A-152 | MICHALUK Alexander 5 6 | PETROVIC Nikola | 0 - 10 | 0:26 | IPO |



Results

| Pos | Name |
|-----|--------------------|
| 1 | 5, SCHENK Emil |
| 2 | 8, WILSON Jaeden |
| 3 | 5, VEILLETTE Noah |
| 3 | 4, PETROVIC Nikola |

BC Winter Games 2018-02-23 Kamloops M+73

Competitors: 5

Competitors

| # | Name | Grade | Club | 1 | 2 | 3 | 4 | 5 | Wins | Pts | Pos |
|---|--------------------|------------|------|----|----|----|----|----|------|-----|-----|
| 1 | GUEZILLE Briac | Green/Vert | 5 | XX | 10 | | | | 1 | 10 | 4 |
| 2 | HENDRY Logan | Green/Vert | 8 | | XX | | | | 0 | 0 | 5 |
| 3 | MCCALLUM Alexander | Green/Vert | 6 | 10 | 10 | XX | 10 | | 3 | 30 | 2 |
| 4 | NEUFELD William | Orange | 3 | 5 | 5 | | XX | | 2 | 10 | 3 |
| 5 | RICHARDSON Kai | Green/Vert | 8 | 10 | 10 | 5 | 10 | XX | 4 | 35 | 1 |

Matches

| Match | White | | Blue | | Result | Time | Code |
|-------|---------------------------|---|------|---------------------------|--------|------|------|
| A-101 | NEUFELD William | 4 | 5 | RICHARDSON Kai | 0 - 10 | 0:09 | IPO |
| A-102 | GUEZILLE Briac | 1 | 2 | HENDRY Logan | 10 - 0 | 1:54 | IPO |
| A-107 | MCCALLUM Alexander | 3 | 4 | NEUFELD William | 10 - 0 | 0:49 | IPO |
| A-108 | GUEZILLE Briac | 1 | 5 | RICHARDSON Kai | 0 - 10 | 0:25 | IPO |
| A-123 | HENDRY Logan | 2 | 3 | MCCALLUM Alexander | 0 - 10 | 0:39 | IPO |
| A-124 | GUEZILLE Briac | 1 | 4 | NEUFELD William | 0 - 5 | 4:16 | GSW |
| A-139 | MCCALLUM Alexander | 3 | 5 | RICHARDSON Kai | 0 - 5 | 3:00 | WAZ |
| A-140 | HENDRY Logan | 2 | 4 | NEUFELD William | 0 - 5 | 3:00 | WAZ |
| A-155 | GUEZILLE Briac | 1 | 3 | MCCALLUM Alexander | 0 - 10 | 0:24 | IPO |
| A-156 | HENDRY Logan | 2 | 5 | RICHARDSON Kai | 0 - 10 | 1:13 | IPO |

Results

| Pos | Name |
|-----|-----------------------|
| 1 | 8, RICHARDSON Kai |
| 2 | 6, MCCALLUM Alexander |
| 3 | 3, NEUFELD William |
| 4 | 5, GUEZILLE Briac |
| 5 | 8, HENDRY Logan |