

Sr (Bro/Bla) Female -70kg

Competitors

#	Name	Club	1	2	3	4	Wins	Pts	Pos
1	JORGENSEN Michelle (VI)	Lake Country Judo Club	XX	10	5		2	15	2
2	JAMES Laatya	Lake Country Judo Club		XX			0	0	3
3	BAL Neeru	Abbotsford Judo Club		10	XX		1	10	3
4	GLOVER Mariko	Burnaby Judo Club	10	5	10	XX	3	25	1

Matches

Match	White			Blue	Result	Time	Code
A-109	JORGENSEN Michelle (VI)	1	2	JAMES Laatya	10 - 0	1:41	IPO
A-110	BAL Neeru	3	4	GLOVER Mariko	0 - 10	3:43	IPO
A-120	JORGENSEN Michelle (VI)	1	3	BAL Neeru	5 - 0	1:50	WAZ
A-121	JAMES Laatya	2	4	GLOVER Mariko	0 - 5	3:48	WAZ
D-1	JORGENSEN Michelle (VI)	1	4	GLOVER Mariko	0 - 10	1:07	IPO
D-2	JAMES Laatya	2	3	BAL Neeru	0 - 10	1:58	IPO

Results

Pos	Name
1	GLOVER Mariko, Burnaby Judo Club
2	JORGENSEN Michelle (VI), Lake Country Judo Cl
3	BAL Neeru, Abbotsford Judo Club
3	JAMES Laatya, Lake Country Judo Club

U16 Male -50kg

Competitors A

#	Name	Club	1	2	3	Wins	Pts	Pos
1	YANG Anthony	Nanaimo Judo Club	XX			0	0	3
2	COMLEY Kiyoshi	Vernon Judo Club	10	XX	10	2	20	1
3	GALLENO Daniel	Mile Zero Judo Club	10		XX	1	10	2

Matches A

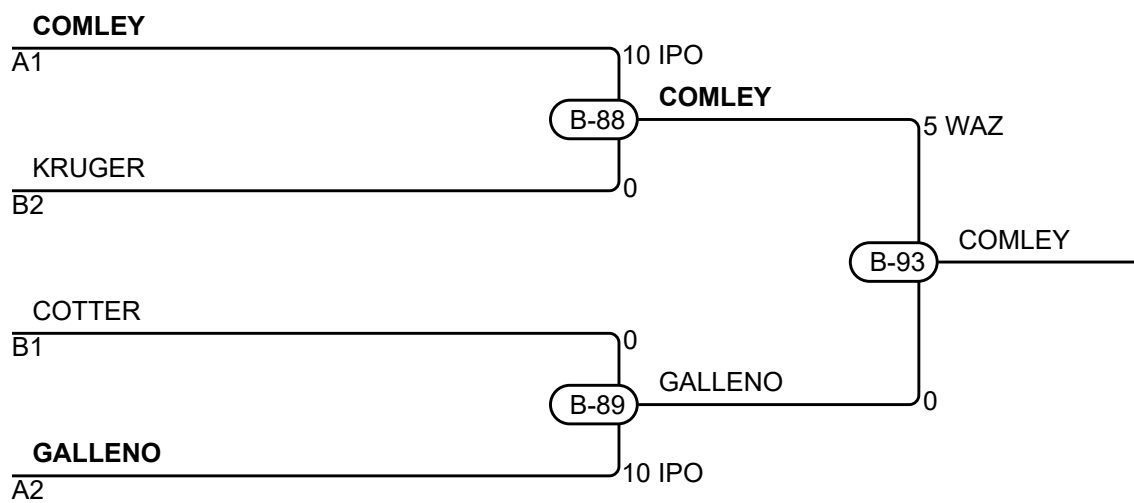
Match	White			Blue	Result	Time	Code
B-61	YANG Anthony	1	2	COMLEY Kiyoshi	0 - 10	0:13	IPO
B-70	YANG Anthony	1	3	GALLENO Daniel	0 - 10	0:34	IPO
B-78	COMLEY Kiyoshi	2	3	GALLENO Daniel	10 - 0	1:54	IPO

Competitors B

#	Name	Club	4	5	6	Wins	Pts	Pos
4	KRUGER John	Nanaimo Judo Club	XX	5		1	5	2
5	WHITMORE Gavin	Abbotsford Judo Club		XX		0	0	3
6	COTTER Aidan	Hart Judo Academy	5	5	XX	2	10	1

Matches B

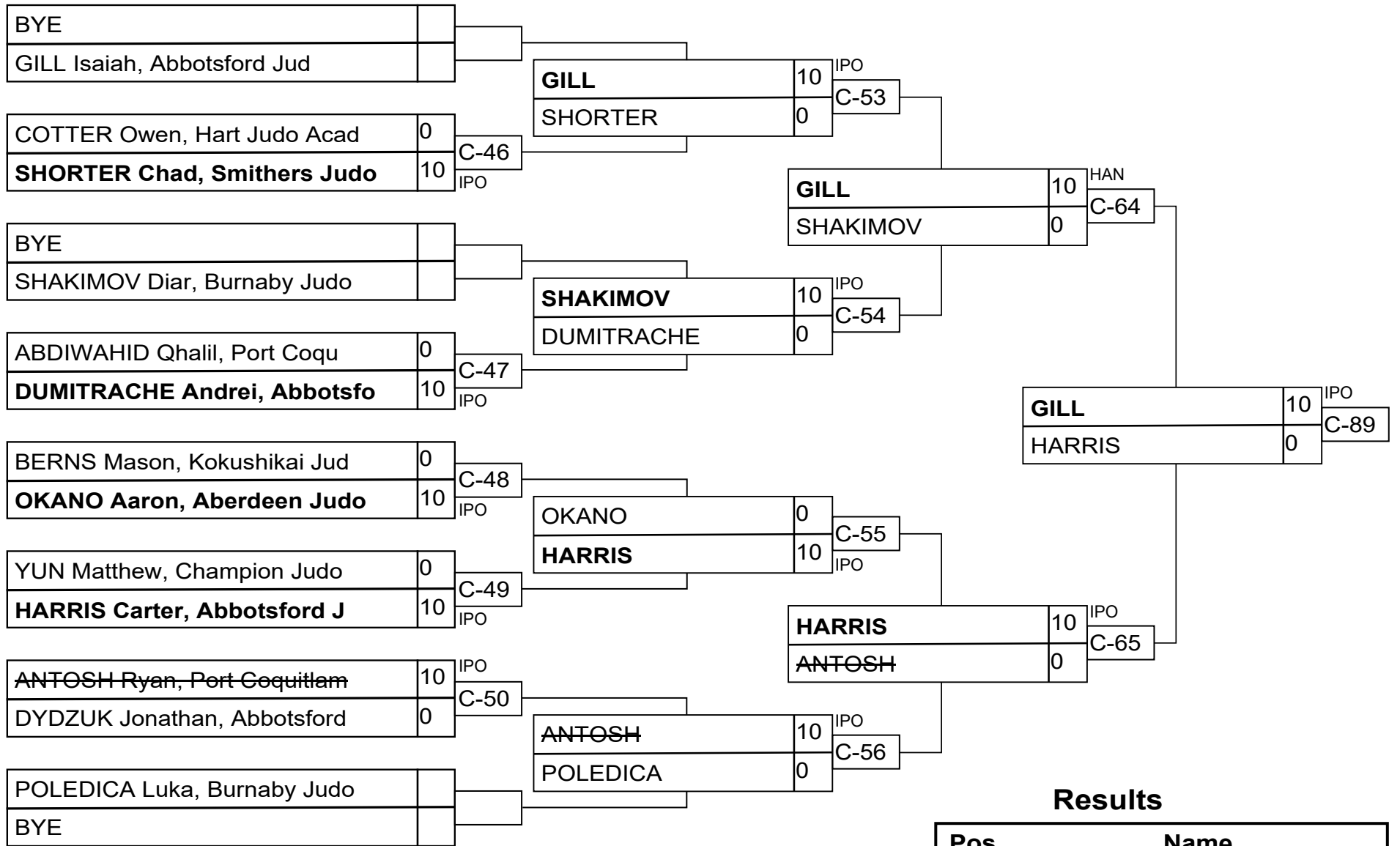
Match	White			Blue	Result	Time	Code
B-62	KRUGER John	4	5	WHITMORE Gavin	5 - 0	6:00	GSW
B-71	KRUGER John	4	6	COTTER Aidan	0 - 5	4:27	GSW
B-79	WHITMORE Gavin	5	6	COTTER Aidan	0 - 5	3:00	WAZ



Results

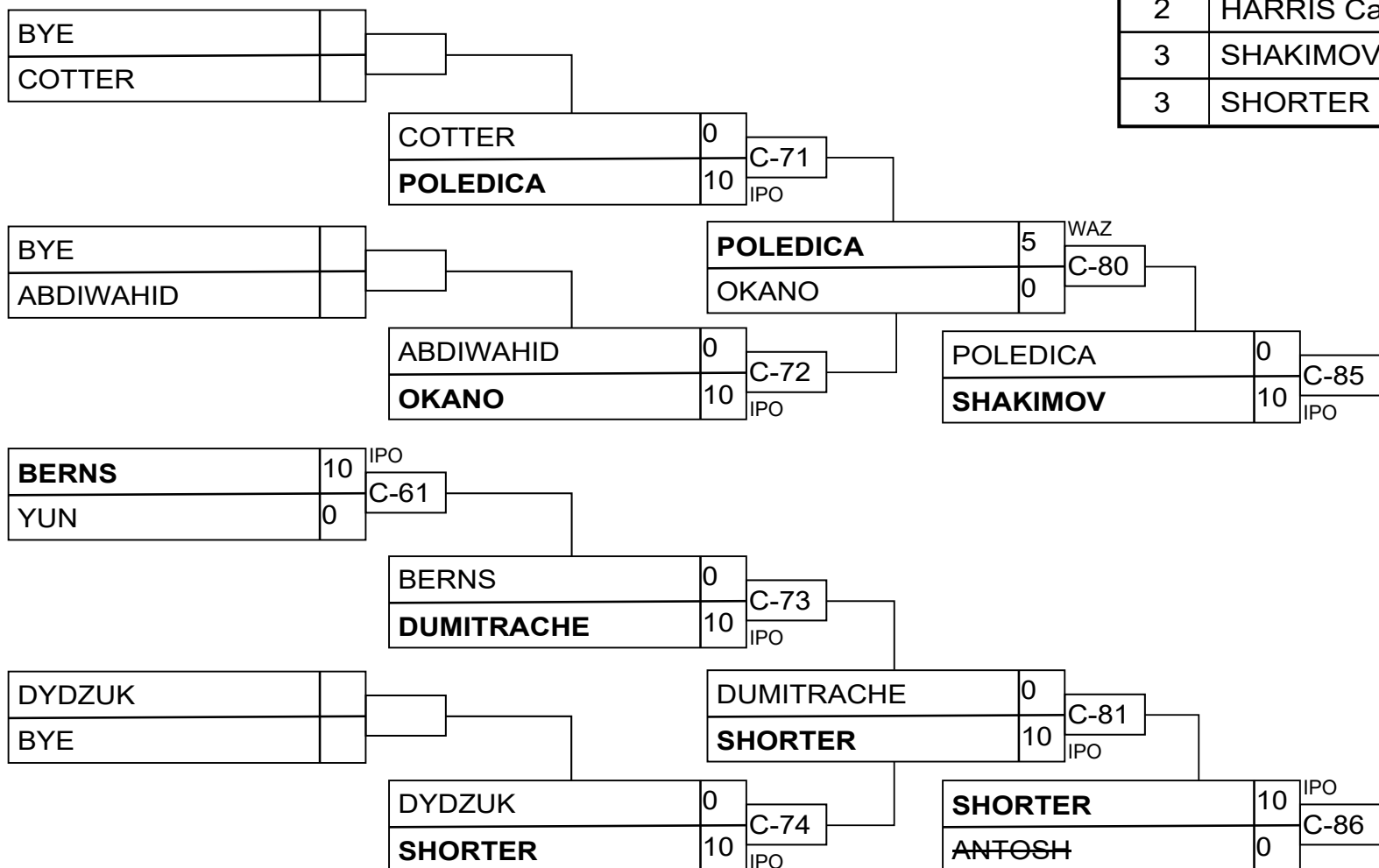
Pos	Name
1	COMLEY Kiyoshi, Vernon Judo Club
2	GALLENO Daniel, Mile Zero Judo Club
3	KRUGER John, Nanaimo Judo Club
3	COTTER Aidan, Hart Judo Academy

U16 Male -55kg

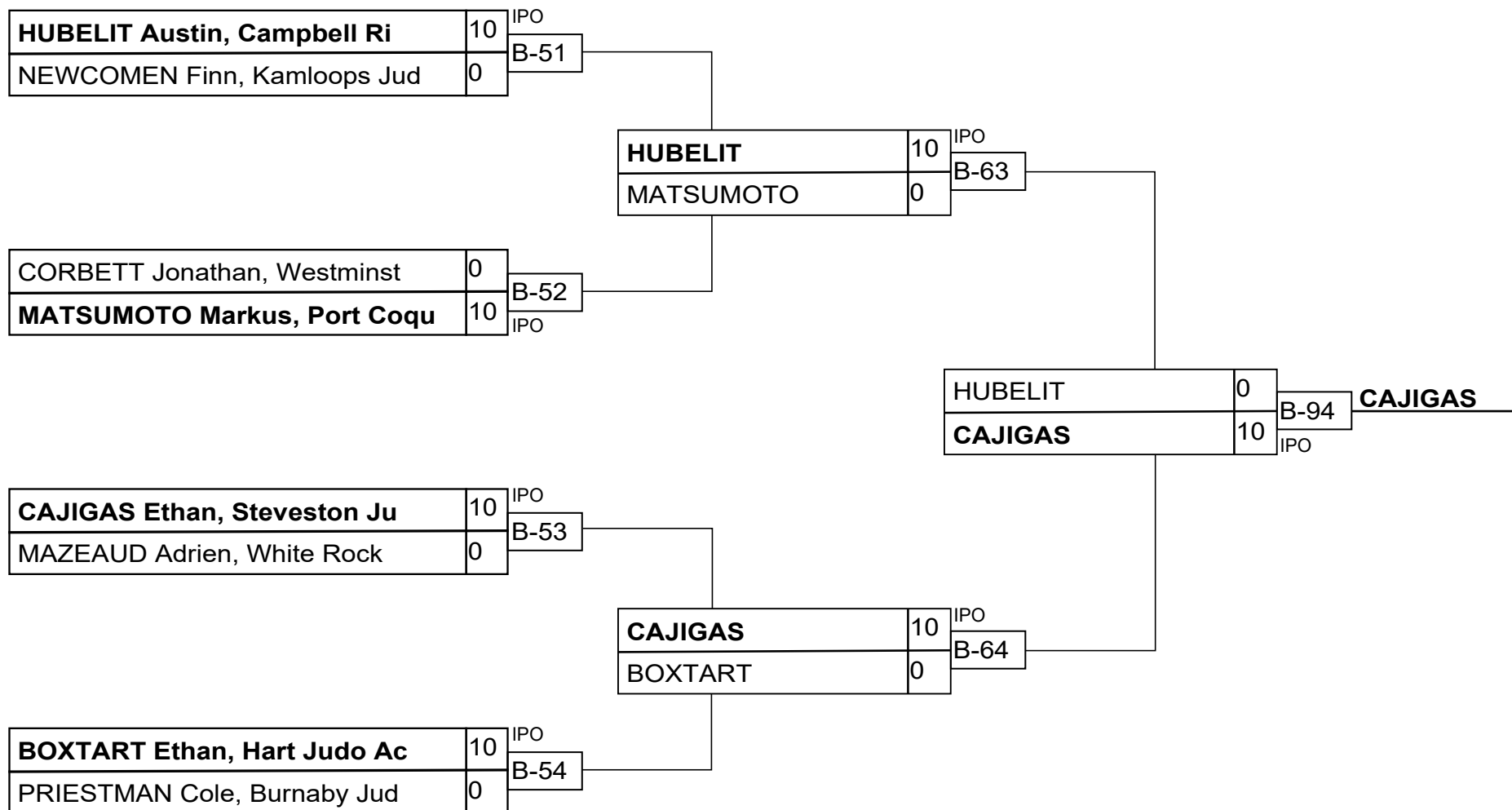


Results

Pos	Name
1	GILL Isaiah, Abbotsford
2	HARRIS Carter, Abbotsfor
3	SHAKIMOV Diar, Burnaby J
3	SHORTER Chad, Smithers J

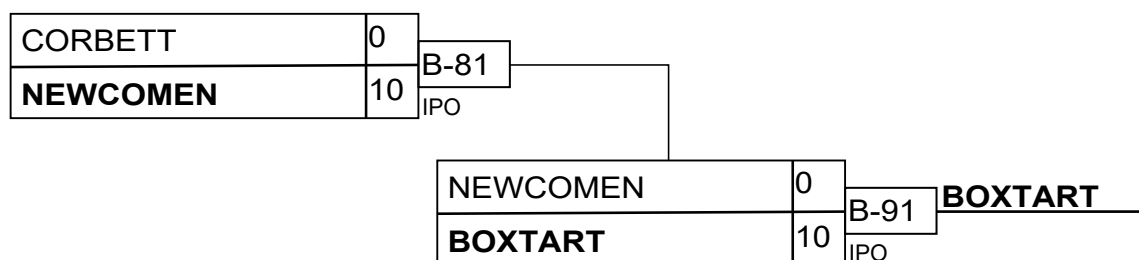
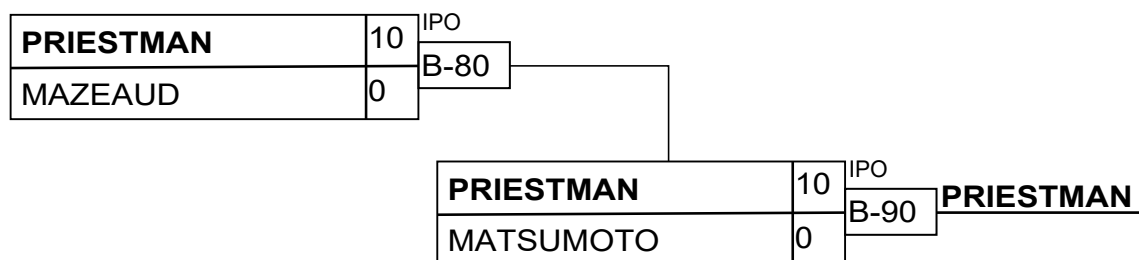


U16 Male -60kg



Results

Pos	Name
1	CAJIGAS Ethan, Steveston
2	HUBELIT Austin, Campbell
3	PRIESTMAN Cole, Burnaby
3	BOXTART Ethan, Hart Judo



U16 Male -73kg

Competitors A

#	Name	Club	1	2	3	4	Wins	Pts	Pos
1	VAN ZYL Martinus	Hart Judo Academy	XX				0	0	4
2	TARITA Dumitru	Burnaby Judo Club	10	XX	10	10	3	30	1
3	MOLSKI Matthew	White Rock Judo Club	10		XX	10	2	20	2
4	TAMAYOSE Ryu	Steveston Judo Club	10			XX	1	10	3

Matches A

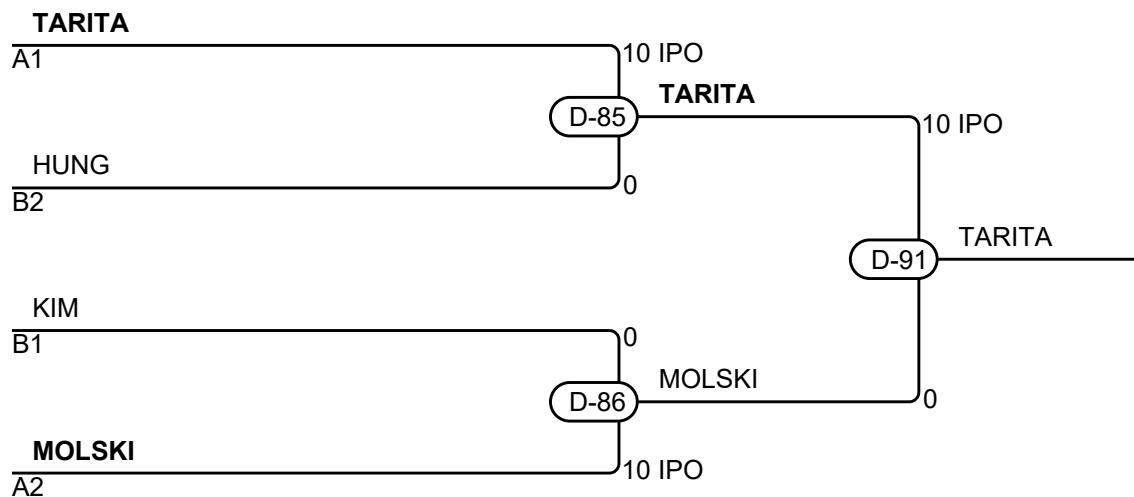
Match	White	Blue	Result	Time	Code
D-50	VAN ZYL Martinus 1 2	TARITA Dumitru	0 - 10	0:15	IPO
D-51	MOLSKI Matthew 3 4	TAMAYOSE Ryu	10 - 0	1:07	IPO
D-63	VAN ZYL Martinus 1 3	MOLSKI Matthew	0 - 10	0:51	IPO
D-64	TARITA Dumitru 2 4	TAMAYOSE Ryu	10 - 0	0:18	IPO
D-76	VAN ZYL Martinus 1 4	TAMAYOSE Ryu	0 - 10	1:17	IPO
D-77	TARITA Dumitru 2 3	MOLSKI Matthew	10 - 0	0:44	IPO

Competitors B

#	Name	Club	5	6	7	Wins	Pts	Pos
5	KIM Tyler	Police Judo Junior	XX	10	5	2	15	1
6	HUNG Li	White Rock Judo Club		XX	10	1	10	2
7	HAN Ted	Champion Judo Club			XX	0	0	3

Matches B

Match	White	Blue	Result	Time	Code
D-52	KIM Tyler 5 6	HUNG Li	10 - 0	1:15	IPO
D-65	KIM Tyler 5 7	HAN Ted	5 - 0	0:01	WAZ
D-78	HUNG Li 6 7	HAN Ted	10 - 0	0:00	FUS



Results

Pos	Name
1	TARITA Dumitru, Burnaby Judo Club
2	MOLSKI Matthew, White Rock Judo Club
3	HUNG Li, White Rock Judo Club
3	KIM Tyler, Police Judo Junior

U16 Male +73kg

Competitors A

#	Name	Club	1	2	3	Wins	Pts	Pos
1	GUEZILLE Suliac	Police Judo Junior	XX	10	10	2	20	1
2	HARDER Ayden	Prince George Judo Club		XX		0	0	3
3	RITSON Julian	Mile Zero Judo Club		10	XX	1	10	2

Matches A

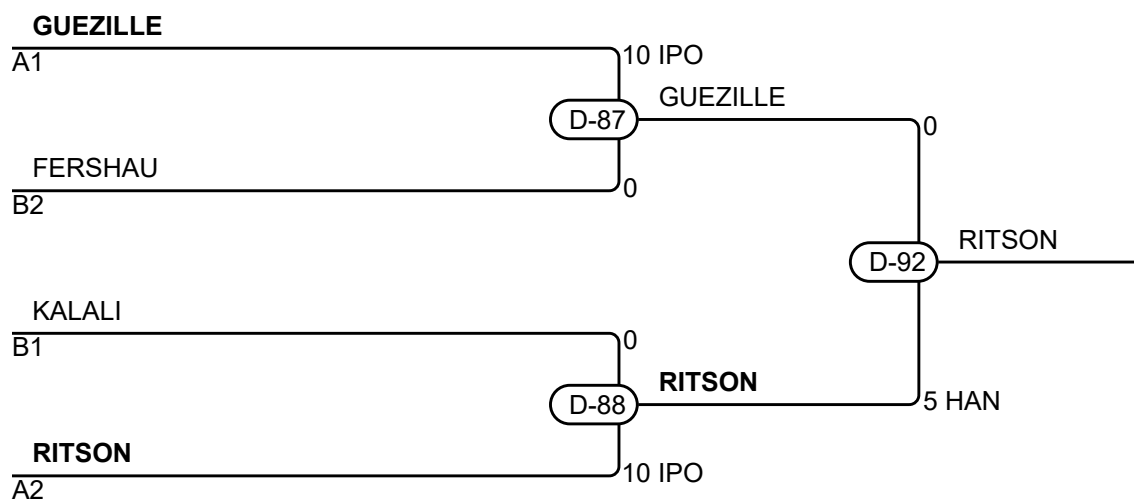
Match	White			Blue	Result	Time	Code
D-53	GUEZILLE Suliac	1	2	HARDER Ayden	10 - 0	0:35	IPO
D-66	GUEZILLE Suliac	1	3	RITSON Julian	10 - 0	0:48	IPO
D-79	HARDER Ayden	2	3	RITSON Julian	0 - 10	0:11	IPO

Competitors B

#	Name	Club	4	5	6	Wins	Pts	Pos
4	LIU Ryan	Nakashima Dojo Judo Club	XX			0	0	3
5	FERSHAU Asher	Abbotsford Judo Club	10	XX		1	10	2
6	KALALI Kourosh	Champion Judo Club	10	10	XX	2	20	1

Matches B

Match	White			Blue	Result	Time	Code
D-54	LIU Ryan	4	5	FERSHAU Asher	0 - 10	0:29	IPO
D-67	LIU Ryan	4	6	KALALI Kourosh	0 - 10	0:33	IPO
D-80	FERSHAU Asher	5	6	KALALI Kourosh	0 - 10	0:35	IPO



Results

Pos	Name
1	RITSON Julian, Mile Zero Judo Club
2	GUEZILLE Suliac, Police Judo Junior
3	FERSHAU Asher, Abbotsford Judo Club
3	KALALI Kourosh, Champion Judo Club

U16 Male +73kg TieBreak

Competitors

#	Name	Club	1	2	3	Wins	Pts	Pos
1	HARDER Ayden	Prince George Judo Club	XX			0	0	3
2	RITSON Julian	Mile Zero Judo Club	10	XX		1	10	2
3	GUEZILLE Suliac	Police Judo Junior	10	5	XX	2	15	1

Matches

Match	White			Blue	Result	Time	Code
D-83A	HARDER Ayden	1	2	RITSON Julian	0 - 10	0:32	IPO
D-85A	HARDER Ayden	1	3	GUEZILLE Suliac	0 - 10	0:30	IPO
D-88B	RITSON Julian	2	3	GUEZILLE Suliac	0 - 5	3:00	WAZ

Results

Pos	Name
1	GUEZILLE Suliac, Police Judo Junior
2	RITSON Julian, Mile Zero Judo Club
3	HARDER Ayden, Prince George Judo Club

U16 Male -46kg

Competitors A

#	Name	Club	1	2	3	Wins	Pts	Pos
1	CHRISTEN Kaleb	Abbotsford Judo Club	XX	5		1	5	2
2	BLACKBURN Connor	Nanaimo Judo Club		XX		0	0	3
3	HILMAN Corbin	Prince George Judo Club	5	10	XX	2	15	1

Matches A

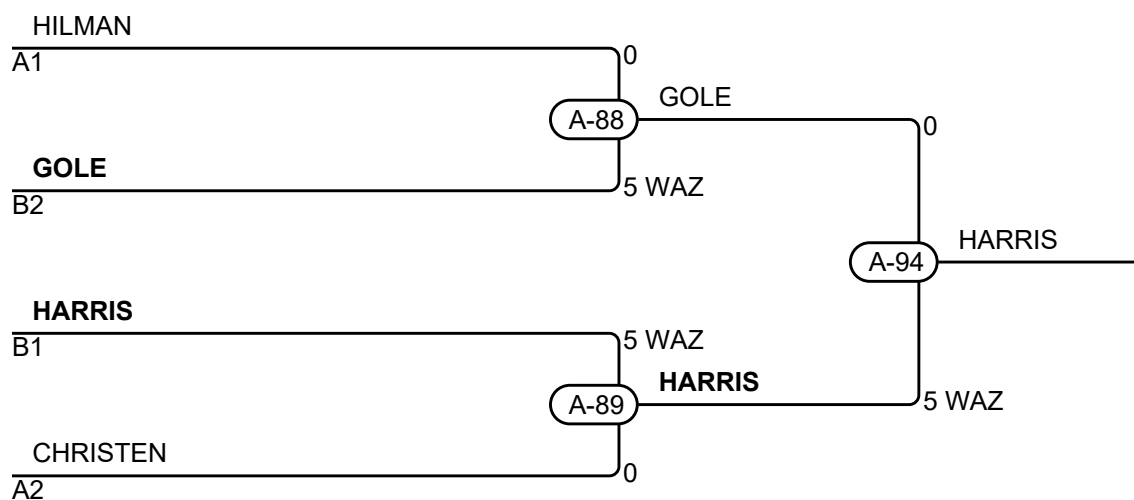
Match	White			Blue	Result	Time	Code
A-54	CHRISTEN Kaleb	1	2	BLACKBURN Connor	5 - 0	3:00	WAZ
A-66	CHRISTEN Kaleb	1	3	HILMAN Corbin	0 - 5	0:34	WAZ
A-78	BLACKBURN Connor	2	3	HILMAN Corbin	0 - 10	0:49	IPO

Competitors B

#	Name	Club	4	5	6	Wins	Pts	Pos
4	GOLE Charlie	Campbell River Judo Club	XX	10		1	10	2
5	ELLINGSON Odin	Abbotsford Judo Club		XX		0	0	3
6	HARRIS Zachary	Abbotsford Judo Club	5	10	XX	2	15	1

Matches B

Match	White			Blue	Result	Time	Code
A-55	GOLE Charlie	4	5	ELLINGSON Odin	10 - 0	1:34	IPO
A-67	GOLE Charlie	4	6	HARRIS Zachary	0 - 5	3:08	GSW
A-79	ELLINGSON Odin	5	6	HARRIS Zachary	0 - 10	1:41	IPO



Results

Pos	Name
1	HARRIS Zachary, Abbotsford Judo Club
2	GOLE Charlie, Campbell River Judo Club
3	HILMAN Corbin, Prince George Judo Club
3	CHRISTEN Kaleb, Abbotsford Judo Club

U16 Male -42kg

Competitors A

#	Name	Club	1	2	3	4	Wins	Pts	Pos
1	LANGE Tyler	Kokushikai Judo	XX				0	0	4
2	VELONAS Peter	Abbotsford Judo Club	10	XX	10	10	3	30	1
3	GREENWOOD Joshua	Hart Judo Academy	10		XX		1	10	3
4	NAZARI Rodean	Burnaby Judo Club	5		5	XX	2	10	2

Matches A

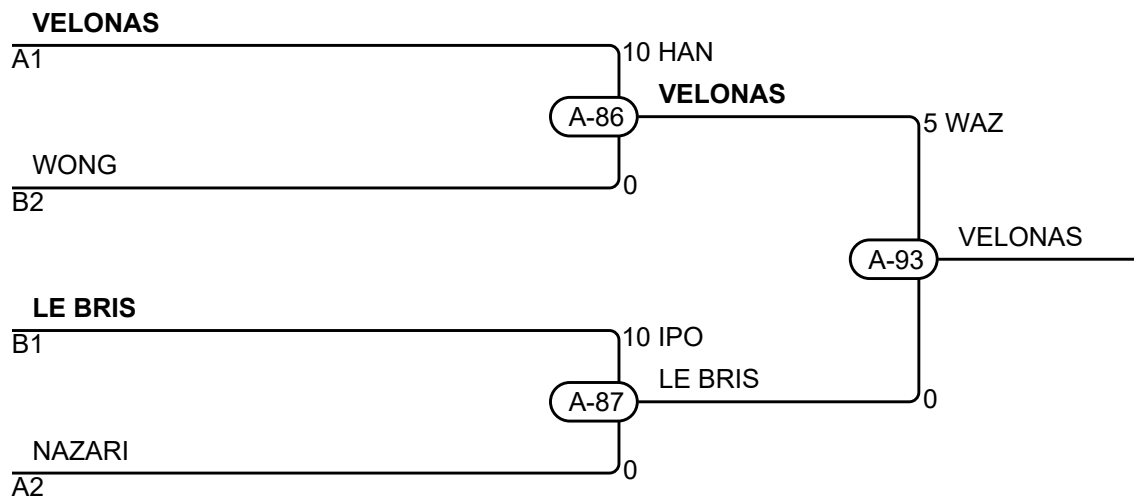
Match	White	Blue	Result	Time	Code
A-51	LANGE Tyler 1 2	VELONAS Peter	0 - 10	0:14	IPO
A-52	GREENWOOD Joshua 3 4	NAZARI Rodean	0 - 5	1:37	WAZ
A-63	LANGE Tyler 1 3	GREENWOOD Joshua	0 - 10	1:50	IPO
A-64	VELONAS Peter 2 4	NAZARI Rodean	10 - 0	0:09	IPO
A-75	LANGE Tyler 1 4	NAZARI Rodean	0 - 5	0:40	WAZ
A-76	VELONAS Peter 2 3	GREENWOOD Joshua	10 - 0	0:48	IPO

Competitors B

#	Name	Club	5	6	7	Wins	Pts	Pos
5	HOU Owen	Steveston Judo Club	XX			0	0	3
6	WONG Jaimie	Nakashima Dojo Judo Club	10	XX		1	10	2
7	LE BRIS Lowan	Burnaby Judo Club	10	5	XX	2	15	1

Matches B

Match	White	Blue	Result	Time	Code
A-53	HOU Owen 5 6	WONG Jaimie	0 - 10	0:40	IPO
A-65	HOU Owen 5 7	LE BRIS Lowan	0 - 10	0:14	IPO
A-77	WONG Jaimie 6 7	LE BRIS Lowan	0 - 5	3:47	GSW



Results

Pos	Name
1	VELONAS Peter, Abbotsford Judo Club
2	LE BRIS Lowan, Burnaby Judo Club
3	WONG Jaimie, Nakashima Dojo Judo Club
3	NAZARI Rodean, Burnaby Judo Club

U16 Male -38kg

Competitors

#	Name	Club	1	2	1	2	1	2	Wins	Pts	Pos
1	FRIZELL Linus	Hart Judo Academy	XX		XX		XX		0	0	2
2	JOE Zackery	Burnaby Judo Club	10	XX	10	XX		XX	2	20	1

Matches

Match	White			Blue	Result	Time	Code
C-63	FRIZELL Linus	1	2	JOE Zackery	0 - 10	7:43	HAN
C-70	JOE Zackery	2	1	FRIZELL Linus	10 - 0	3:22	GSI
C-79	FRIZELL Linus	1	2	JOE Zackery			

Results

Pos	Name
1	JOE Zackery, Burnaby Judo Club
2	FRIZELL Linus, Hart Judo Academy

U16 Female -40kg

Competitors

#	Name	Club	1	2	3	Wins	Pts	Pos
1	AU Leanna	Burnaby Judo Club	XX	5	10	2	15	1
2	VAN ZYL Carla	Hart Judo Academy		XX	10	1	10	2
3	GRUBER Ava	Vernon Judo Club			XX	0	0	3

Matches

Match	White			Blue	Result	Time	Code
A-48	AU Leanna	1	2	VAN ZYL Carla	5 - 0	1:02	WAZ
A-60	AU Leanna	1	3	GRUBER Ava	10 - 0	0:10	IPO
A-72	VAN ZYL Carla	2	3	GRUBER Ava	10 - 0	0:52	IPO

Results

Pos	Name
1	AU Leanna, Burnaby Judo Club
2	VAN ZYL Carla, Hart Judo Academy
3	GRUBER Ava, Vernon Judo Club

U16 Female -44kg

Competitors A

#	Name	Club	1	2	3	4	Wins	Pts	Pos
1	ESPARBES Kylee	Steveston Judo Club	XX	5	10	10	3	25	1
2	BOULDING Clare	Nanaimo Judo Club		XX	5		1	5	3
3	AHN Shylah	Champion Judo Club			XX		0	0	4
4	VELONAS Athena	Abbotsford Judo Club		10	10	XX	2	20	2

Matches A

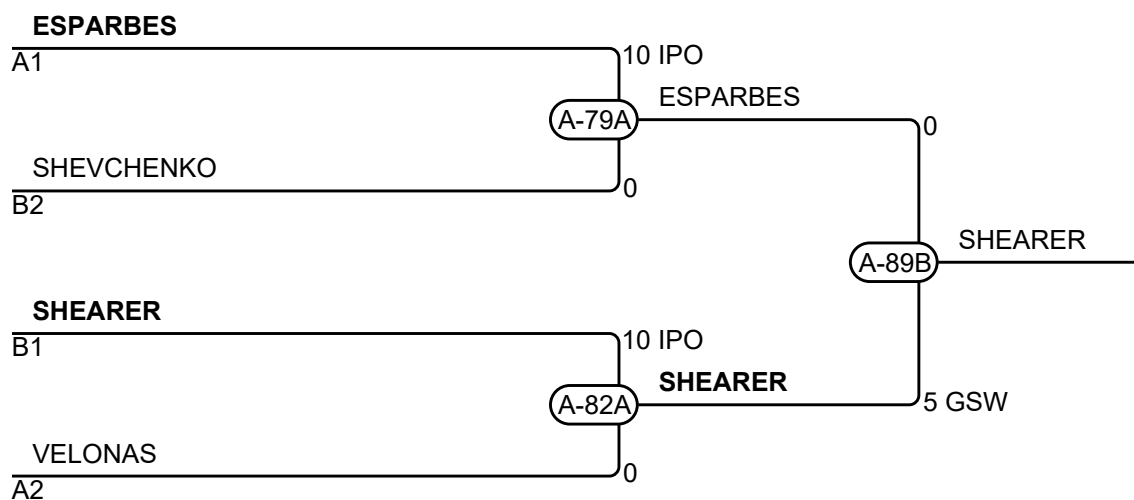
Match	White	Blue	Result	Time	Code
A-63A	ESPARBES Kylee	BOULDING Clare	5 - 0	1:34	WAZ
A-64A	AHN Shylah	VELONAS Athena	0 - 10	0:25	IPO
A-67A	ESPARBES Kylee	AHN Shylah	10 - 0	0:51	IPO
A-67B	BOULDING Clare	VELONAS Athena	0 - 10	1:06	IPO
A-70A	ESPARBES Kylee	VELONAS Athena	10 - 0	0:36	IPO
A-73	BOULDING Clare	AHN Shylah	5 - 0	0:24	WAZ

Competitors B

#	Name	Club	5	6	7	Wins	Pts	Pos
5	MAIHARA Teya	Police Judo Junior	XX			0	0	3
6	SHEVCHENKO Sophia	Champion Judo Club	10	XX		1	10	2
7	SHEARER Lola	Steveston Judo Club	10	5	XX	2	15	1

Matches B

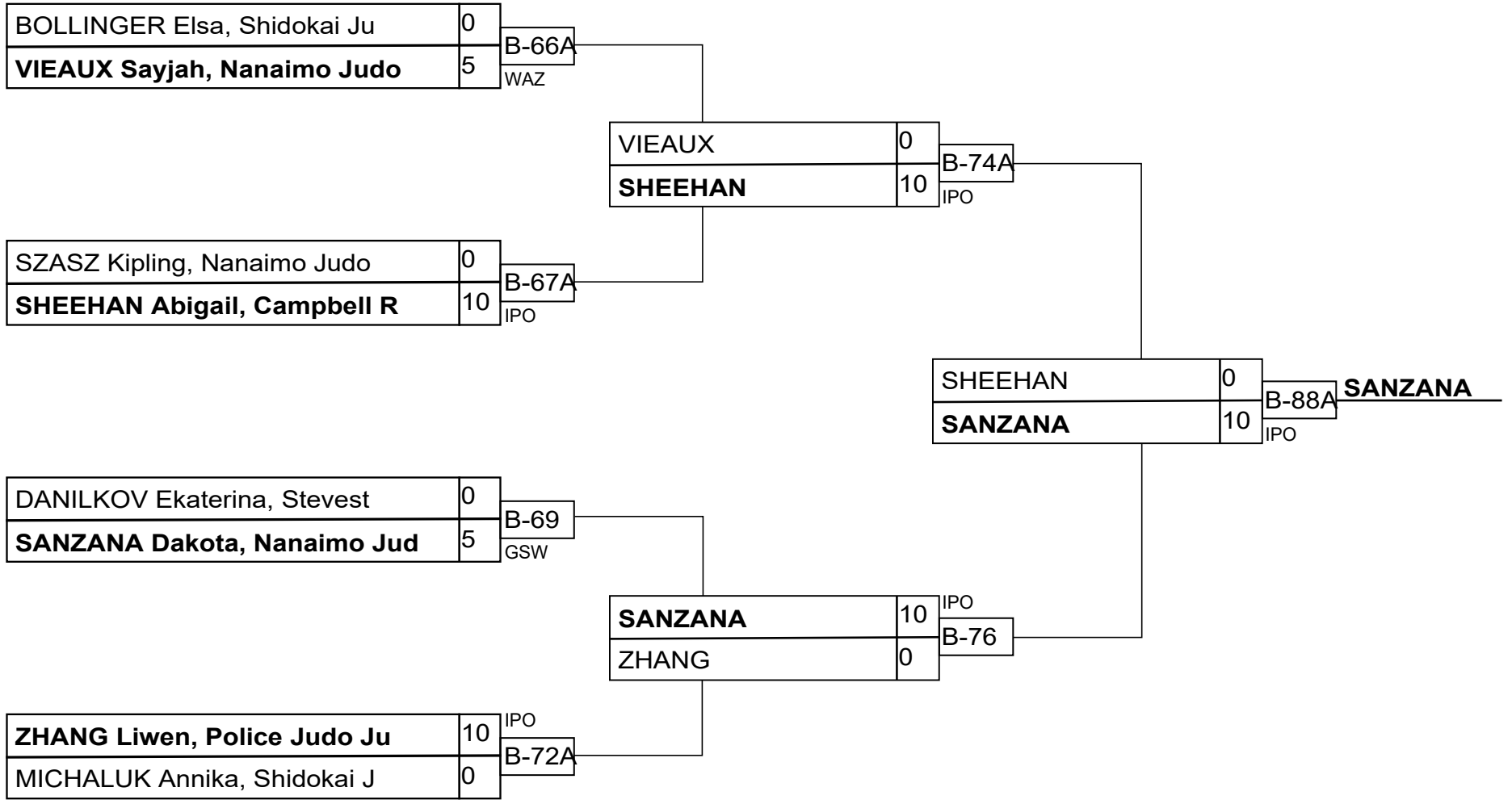
Match	White	Blue	Result	Time	Code
A-65A	MAIHARA Teya	SHEVCHENKO Sophia	0 - 10	1:09	IPO
A-68A	MAIHARA Teya	SHEARER Lola	0 - 10	0:22	IPO
A-75A	SHEVCHENKO Sophia	SHEARER Lola	0 - 5	2:39	WAZ



Results

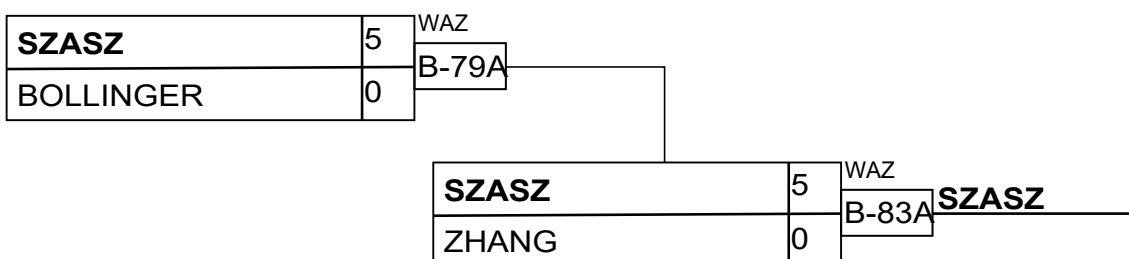
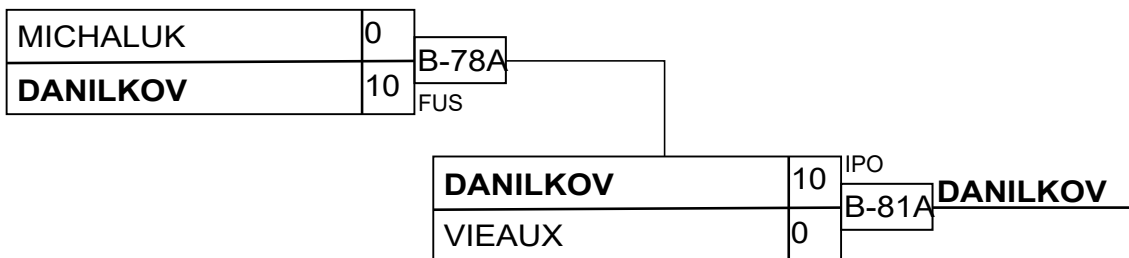
Pos	Name
1	SHEARER Lola, Steveston Judo Club
2	ESPARBES Kylee, Steveston Judo Club
3	SHEVCHENKO Sophia, Champion Judo Club
3	VELONAS Athena, Abbotsford Judo Club

U16 Female -48kg



Results

Pos	Name
1	SANZANA Dakota, Nanaimo
2	SHEEHAN Abigail, Campbel
3	DANILKOV Ekaterina, Stev
3	SZASZ Kipling, Nanaimo J



U16 Female -52kg

Competitors

#	Name	Club	1	2	1	2	1	2	Wins	Pts	Pos
1	ROTBART Nova	Burnaby Judo Club	XX	10	XX		XX	10	2	20	1
2	PALLER Lola	Abbotsford Judo Club		XX	10	XX		XX	1	10	2

Matches

Match	White			Blue	Result	Time	Code
D-46	ROTBART Nova	1	2	PALLER Lola	10 - 0	1:14	IPO
D-59	PALLER Lola	2	1	ROTBART Nova	10 - 0	2:25	IPO
D-72	ROTBART Nova	1	2	PALLER Lola	10 - 0	0:46	IPO

Results

Pos	Name
1	ROTBART Nova, Burnaby Judo Club
2	PALLER Lola, Abbotsford Judo Club

U16 Female -57kg

Competitors

#	Name	Club	1	2	3	4	Wins	Pts	Pos
1	SCHENK Beata	Burnaby Judo Club	XX		5	10	2	15	2
2	LEE Zoe	Burnaby Judo Club	10	XX	10	10	3	30	1
3	KUMAR Suneha	Ippon Judo Club			XX	10	1	10	3
4	GLADSTONE Alewyn	Nanaimo Judo Club				XX	0	0	3

Matches

Match	White			Blue	Result	Time	Code
D-47	SCHENK Beata	1	2	LEE Zoe	0 - 10	1:56	IPO
D-48	KUMAR Suneha	3	4	GLADSTONE Alewyn	10 - 0	0:27	IPO
D-60	SCHENK Beata	1	3	KUMAR Suneha	5 - 0	3:00	WAZ
D-61	LEE Zoe	2	4	GLADSTONE Alewyn	10 - 0	0:49	IPO
D-73	SCHENK Beata	1	4	GLADSTONE Alewyn	10 - 0	1:12	IPO
D-74	LEE Zoe	2	3	KUMAR Suneha	10 - 0	1:09	IPO

Results

Pos	Name
1	LEE Zoe, Burnaby Judo Club
2	SCHENK Beata, Burnaby Judo Club
3	KUMAR Suneha, Ippon Judo Club
3	GLADSTONE Alewyn, Nanaimo Judo Club

U16 Female -70kg

Competitors

#	Name	Club	1	2	3	4	Wins	Pts	Pos
1	DA SILVA Katrina	Abbotsford Judo Club	XX			5	1	5	3
2	KATALINIC Sadie	Abbotsford Judo Club	10	XX	10	5	3	25	1
3	LIAKOS Maria	Steveston Judo Club	10		XX	5	2	15	2
4	BIXBY Teigan	Vernon Judo Club				XX	0	0	3

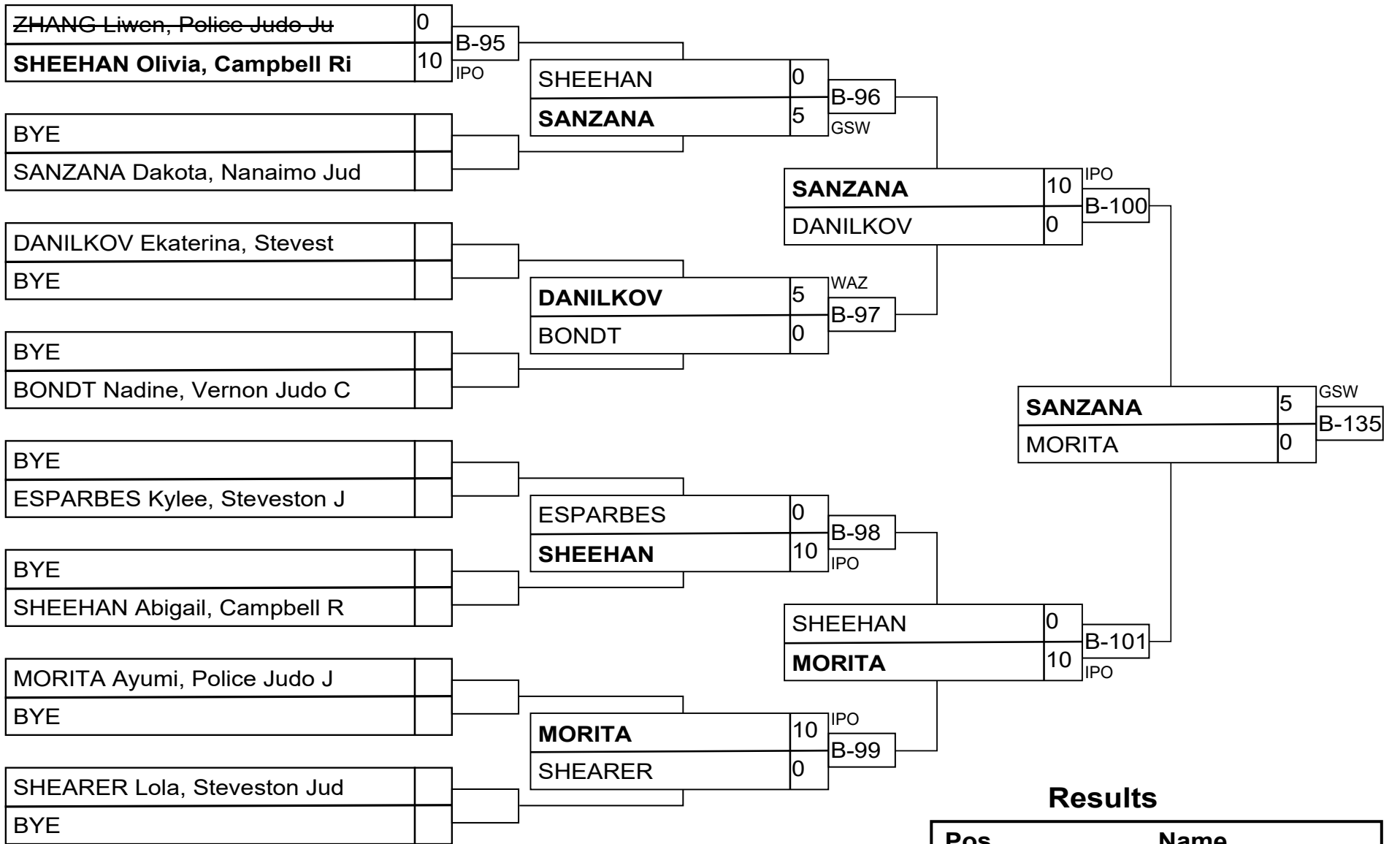
Matches

Match	White		Blue		Result	Time	Code
D-86A	DA SILVA Katrina	1	2	KATALINIC Sadie	0 - 10	0:25	IPO
D-88A	LIAKOS Maria	3	4	BIXBY Teigan	5 - 0	0:01	WAZ
D-89A	DA SILVA Katrina	1	3	LIAKOS Maria	0 - 10	0:37	IPO
D-91A	KATALINIC Sadie	2	4	BIXBY Teigan	5 - 0	0:03	WAZ
D-93A	DA SILVA Katrina	1	4	BIXBY Teigan	5 - 0	0:02	WAZ
D-93B	KATALINIC Sadie	2	3	LIAKOS Maria	10 - 0	0:30	IPO

Results

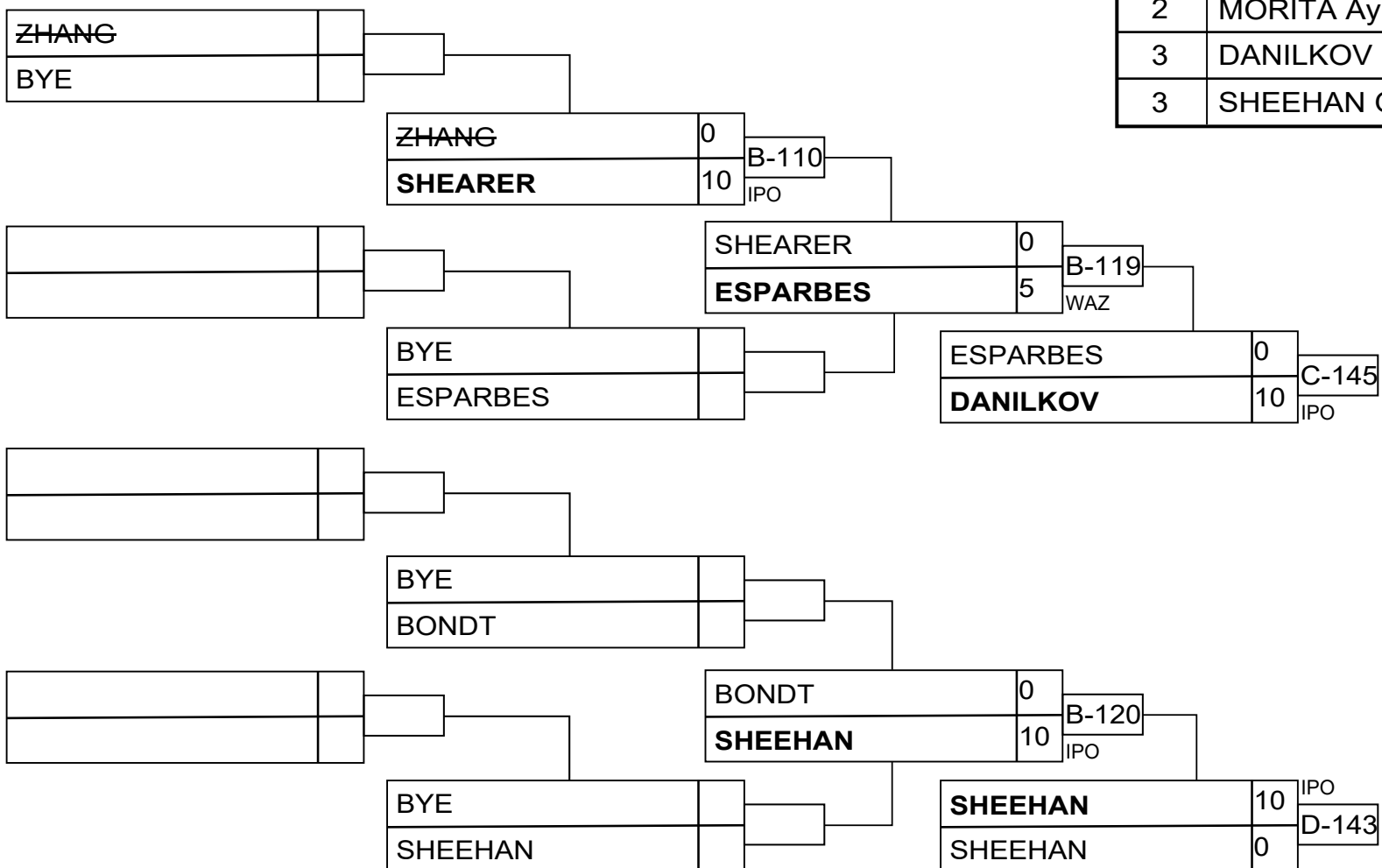
Pos	Name
1	KATALINIC Sadie, Abbotsford Judo Club
2	LIAKOS Maria, Steveston Judo Club
3	DA SILVA Katrina, Abbotsford Judo Club
3	BIXBY Teigan, Vernon Judo Club

U18 Female -48kg



Results

Pos	Name
1	SANZANA Dakota, Nanaimo
2	MORITA Ayumi, Police Jud
3	DANILKOV Ekaterina, Stev
3	SHEEHAN Olivia, Campbell



U18 Female -52kg

Competitors

#	Name	Club	1	2	3	4	5	Wins	Pts	Pos
1	GREENE Isabella	Nanaimo Judo Club	XX	10	10		10	3	30	2
2	MOWATT Christina (VI)	Burnaby Judo Club		XX	10			1	10	3
3	SAKAMOTO Minami	Police Judo Junior			XX			0	0	5
4	KO Hailey	Burnaby Judo Club	10	5	10	XX	10	4	35	1
5	ROTBART Nova	Burnaby Judo Club		5	10		XX	2	15	3

Matches

Match	White			Blue	Result	Time	Code
A-96	KO Hailey	4	5	ROTBART Nova	10 - 0	2:02	IPO
A-97	GREENE Isabella	1	2	MOWATT Christina (VI)	10 - 0	0:58	IPO
A-100	SAKAMOTO Minami	3	4	KO Hailey	0 - 10	1:08	IPO
A-101	GREENE Isabella	1	5	ROTBART Nova	10 - 0	2:19	IPO
A-105	MOWATT Christina (VI)	2	3	SAKAMOTO Minami	10 - 0	1:53	IPO
A-106	GREENE Isabella	1	4	KO Hailey	0 - 10	1:53	IPO
A-116	SAKAMOTO Minami	3	5	ROTBART Nova	0 - 10	1:06	IPO
A-117	MOWATT Christina (VI)	2	4	KO Hailey	0 - 5	0:56	WAZ
A-127	GREENE Isabella	1	3	SAKAMOTO Minami	10 - 0	1:08	IPO
A-128	MOWATT Christina (VI)	2	5	ROTBART Nova	0 - 5	0:42	WAZ

Results

Pos	Name
1	KO Hailey, Burnaby Judo Club
2	GREENE Isabella, Nanaimo Judo Club
3	ROTBART Nova, Burnaby Judo Club
3	MOWATT Christina (VI), Burnaby Judo Club
5	SAKAMOTO Minami, Police Judo Junior

U18 Female -57kg

Competitors

#	Name	Club	1	2	3	4	Wins	Pts	Pos
1	SCHENK Beata	Burnaby Judo Club	XX			5	1	5	3
2	LEE Zoe	Burnaby Judo Club	10	XX			1	10	3
3	DANILKOV Klavdia	Steveston Judo Club	10	10	XX	10	3	30	1
4	RUDYUK Yelyzaveta	Burnaby Judo Club		10		XX	1	10	2

Matches

Match	White		Blue		Result	Time	Code
A-107	SCHENK Beata	1	2	LEE Zoe	0 - 10	2:18	IPO
A-108	DANILKOV Klavdia	3	4	RUDYUK Yelyzaveta	10 - 0	1:45	IPO
A-118	SCHENK Beata	1	3	DANILKOV Klavdia	0 - 10	0:34	IPO
A-119	LEE Zoe	2	4	RUDYUK Yelyzaveta	0 - 10	2:53	IPO
C-1	SCHENK Beata	1	4	RUDYUK Yelyzaveta	5 - 0	3:00	WAZ
C-2	LEE Zoe	2	3	DANILKOV Klavdia	0 - 10	0:00	IPO

Results

Pos	Name
1	DANILKOV Klavdia, Steveston Judo Club
2	RUDYUK Yelyzaveta, Burnaby Judo Club
3	LEE Zoe, Burnaby Judo Club
3	SCHENK Beata, Burnaby Judo Club

U21 Female -57kg

Competitors

#	Name	Club	1	2	3	4	Wins	Pts	Pos
1	GREENE Isabella	Nanaimo Judo Club	XX				0	0	3
2	DANILKOV Klavdia	Steveston Judo Club	10	XX	10	10	3	30	1
3	MCCORKELL Sienna	Mile Zero Judo Club	10		XX		1	10	3
4	KO Hailey	Burnaby Judo Club	10		10	XX	2	20	2

Matches

Match	White		Blue		Result	Time	Code
B-65	GREENE Isabella	1	2	DANILKOV Klavdia	0 - 10	1:25	IPO
B-66	MCCORKELL Sienna	3	4	KO Hailey	0 - 10	1:05	IPO
B-72	GREENE Isabella	1	3	MCCORKELL Sienna	0 - 10	0:36	IPO
B-73	DANILKOV Klavdia	2	4	KO Hailey	10 - 0	2:25	IPO
B-82	GREENE Isabella	1	4	KO Hailey	0 - 10	2:16	IPO
B-83	DANILKOV Klavdia	2	3	MCCORKELL Sienna	10 - 0	1:15	IPO

Results

Pos	Name
1	DANILKOV Klavdia, Steveston Judo Club
2	KO Hailey, Burnaby Judo Club
3	MCCORKELL Sienna, Mile Zero Judo Club
3	GREENE Isabella, Nanaimo Judo Club

U21 Female -70kg

Competitors A

#	Name	Club	1	2	3	Wins	Pts	Pos
1	MORISHO Nyota	Victoria Judo Club	XX	10	10	2	20	1
2	MORLAND Estelle	Nanaimo Judo Club		XX		0	0	3
3	MCCORKELL Loveena	Mile Zero Judo Club		10	XX	1	10	2

Matches A

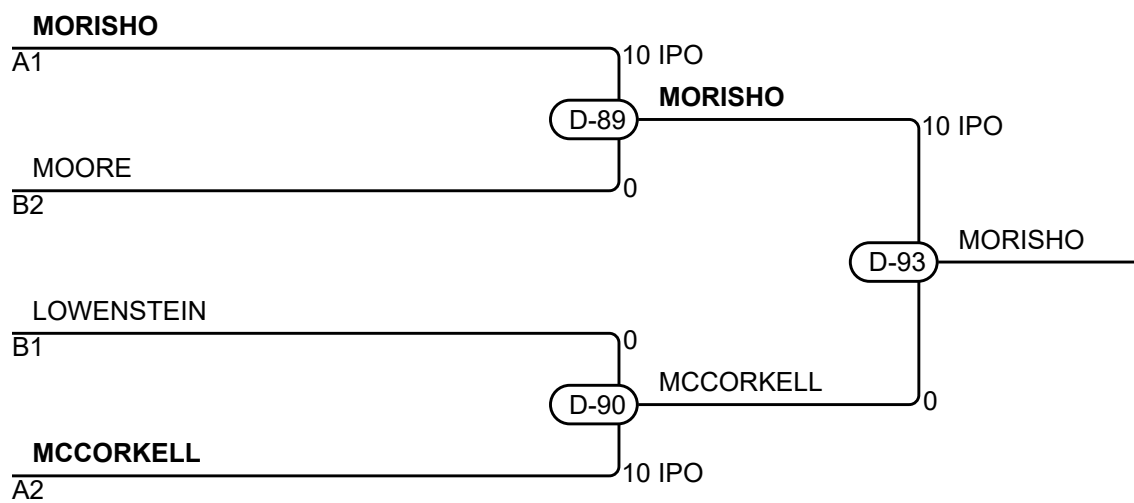
Match	White	Blue	Result	Time	Code
D-55	MORISHO Nyota	MORLAND Estelle	10 - 0	0:19	IPO
D-68	MORISHO Nyota	MCCORKELL Loveena	10 - 0	0:28	IPO
D-81	MORLAND Estelle	MCCORKELL Loveena	0 - 10	0:17	IPO

Competitors B

#	Name	Club	4	5	6	Wins	Pts	Pos
4	ALLEN Felicity	Champion Judo Club	XX			0	0	3
5	LOWENSTEIN Jade	Penticton Judo Club	10	XX	5	2	15	1
6	MOORE Tula	Hart Judo Academy	10		XX	1	10	2

Matches B

Match	White	Blue	Result	Time	Code
D-56	ALLEN Felicity	LOWENSTEIN Jade	0 - 10	1:23	IPO
D-69	ALLEN Felicity	MOORE Tula	0 - 10	0:52	IPO
D-82	LOWENSTEIN Jade	MOORE Tula	5 - 0	4:00	WAZ



Results

Pos	Name
1	MORISHO Nyota, Victoria Judo Club
2	MCCORKELL Loveena, Mile Zero Judo Club
3	MOORE Tula, Hart Judo Academy
3	LOWENSTEIN Jade, Penticton Judo Club

U21 Male -55kg

Competitors

#	Name	Club	1	2	3	4	Wins	Pts	Pos
1	GRANT Eli	Kokushikai Judo	XX	10	10		2	20	2
2	YAMAWAKI Kaito	Steveston Judo Club		XX	5		1	5	3
3	VANZYL Andries	Hart Judo Academy			XX		0	0	3
4	DARMADI Joshua	Nanaimo Judo Club	10	10	10	XX	3	30	1

Matches

Match	White			Blue	Result	Time	Code
D-57	GRANT Eli	1	2	YAMAWAKI Kaito	10 - 0	2:25	IPO
D-58	VANZYL Andries	3	4	DARMADI Joshua	0 - 10	0:36	IPO
D-70	GRANT Eli	1	3	VANZYL Andries	10 - 0	2:38	IPO
D-71	YAMAWAKI Kaito	2	4	DARMADI Joshua	0 - 10	0:29	IPO
D-83	GRANT Eli	1	4	DARMADI Joshua	0 - 10	0:42	IPO
D-84	YAMAWAKI Kaito	2	3	VANZYL Andries	5 - 0	4:00	WAZ

Results

Pos	Name
1	DARMADI Joshua, Nanaimo Judo Club
2	GRANT Eli, Kokushikai Judo
3	YAMAWAKI Kaito, Steveston Judo Club
3	VANZYL Andries, Hart Judo Academy

U21 Male -60kg

Competitors

#	Name	Club	1	2	3	4	Wins	Pts	Pos
1	GAANAN Raphael	Burnaby Judo Club	XX	5	10	10	3	25	1
2	JOE Maximus	Burnaby Judo Club		XX	10		1	10	2
3	KEYES Aidan	Police Judo Junior			XX	5	1	5	3
4	ORDANO Alex	Steveston Judo Club		5		XX	1	5	3

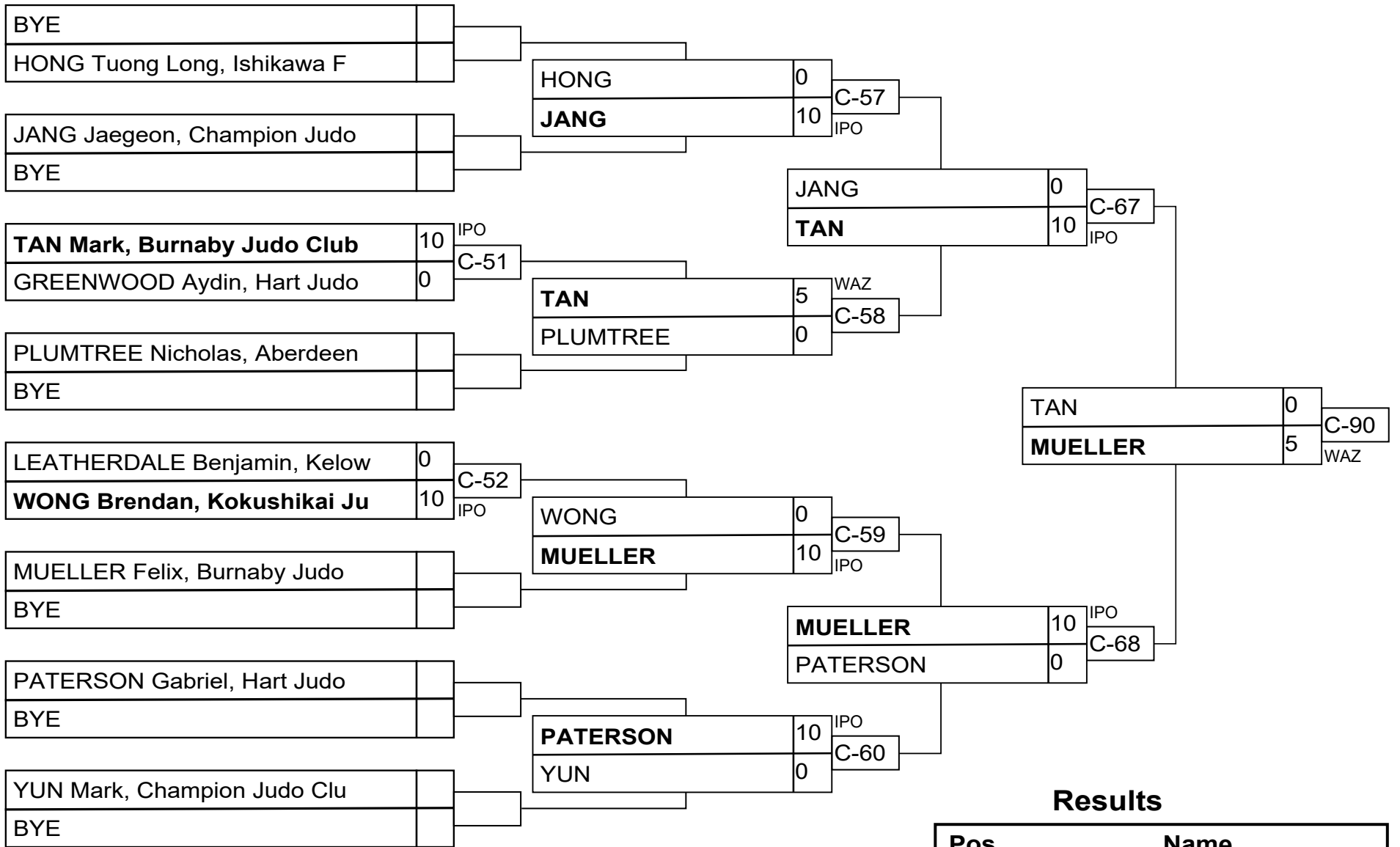
Matches

Match	White			Blue	Result	Time	Code
A-56	GAANAN Raphael	1	2	JOE Maximus	5 - 0	4:00	WAZ
A-57	KEYES Aidan	3	4	ORDANO Alex	5 - 0	2:56	WAZ
A-68	GAANAN Raphael	1	3	KEYES Aidan	10 - 0	0:39	IPO
A-69	JOE Maximus	2	4	ORDANO Alex	0 - 5	4:00	WAZ
A-80	GAANAN Raphael	1	4	ORDANO Alex	10 - 0	0:42	IPO
A-81	JOE Maximus	2	3	KEYES Aidan	10 - 0	0:45	IPO

Results

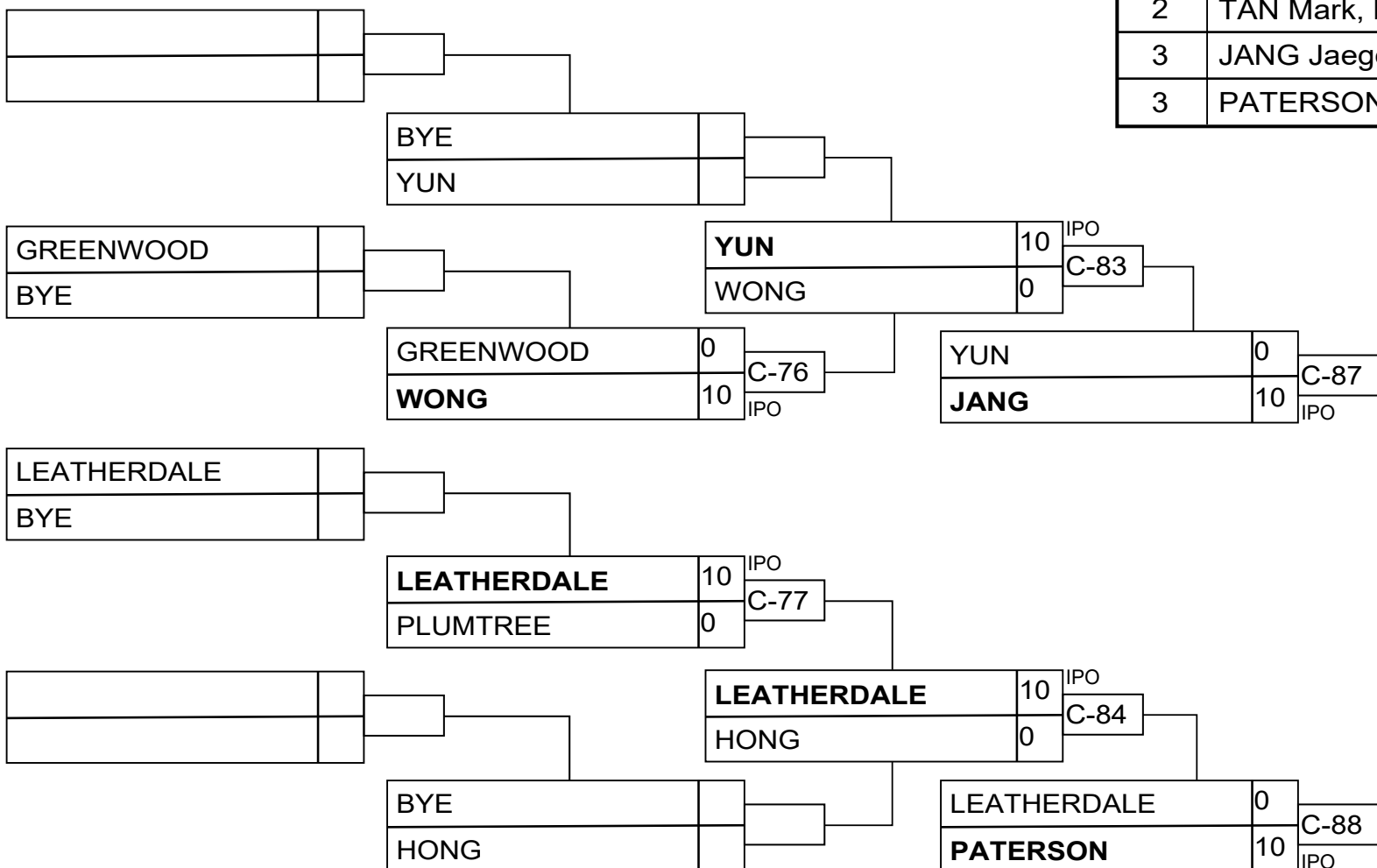
Pos	Name
1	GAANAN Raphael, Burnaby Judo Club
2	JOE Maximus, Burnaby Judo Club
3	KEYES Aidan, Police Judo Junior
3	ORDANO Alex, Steveston Judo Club

U21 Male -66kg



Results

Pos	Name
1	MUELLER Felix, Burnaby J
2	TAN Mark, Burnaby Judo C
3	JANG Jaegeon, Champion J
3	PATERSON Gabriel, Hart J



U21 Male -73kg

Competitors A

#	Name	Club	1	2	3	Wins	Pts	Pos
1	RICHARDSON Kai	Williams Lake Judo Club	XX	5		1	5	2
2	GREENWOOD Davin	Hart Judo Academy		XX		0	0	3
3	BRADLEY Jackson	Steveston Judo Club	5	5	XX	2	10	1

Matches A

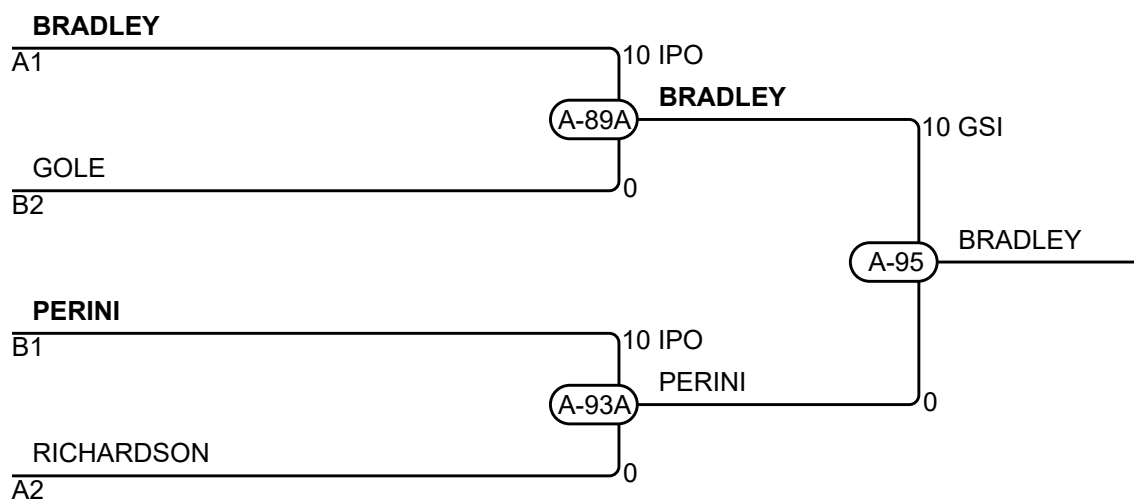
Match	White	Blue	Result	Time	Code
A-58	RICHARDSON Kai	GREENWOOD Davin	5 - 0	2:45	WAZ
A-70	RICHARDSON Kai	BRADLEY Jackson	0 - 5	4:14	GSW
A-82	GREENWOOD Davin	BRADLEY Jackson	0 - 5	4:00	WAZ

Competitors B

#	Name	Club	4	5	6	Wins	Pts	Pos
4	GOLE Jacob	Campbell River Judo Club	XX		10	1	10	2
5	PERINI Gabriel	Nanaimo Judo Club	5	XX	10	2	15	1
6	ROBSON Zachary	Kokushikai Judo			XX	0	0	3

Matches B

Match	White	Blue	Result	Time	Code
A-59	GOLE Jacob	PERINI Gabriel	0 - 5	0:43	WAZ
A-71	GOLE Jacob	ROBSON Zachary	10 - 0	0:31	IPO
A-83	PERINI Gabriel	ROBSON Zachary	10 - 0	0:19	IPO



Results

Pos	Name
1	BRADLEY Jackson, Steveston Judo Club
2	PERINI Gabriel, Nanaimo Judo Club
3	GOLE Jacob, Campbell River Judo Club
3	RICHARDSON Kai, Williams Lake Judo Club

U21 Female -48kg

Competitors

#	Name	Club	1	2	3	Wins	Pts	Pos
1	BONDT Nadine	Vernon Judo Club	XX			0	0	3
2	SHEEHAN Olivia	Campbell River Judo Club	10	XX	10	2	20	1
3	CORBETT Brooke	Hart Judo Academy	10		XX	1	10	2

Matches

Match	White			Blue	Result	Time	Code
C-66	BONDT Nadine	1	2	SHEEHAN Olivia	0 - 10	0:52	IPO
C-75	BONDT Nadine	1	3	CORBETT Brooke	0 - 10	0:43	IPO
C-82	SHEEHAN Olivia	2	3	CORBETT Brooke	10 - 0	1:39	IPO

Results

Pos	Name
1	SHEEHAN Olivia, Campbell River Judo Club
2	CORBETT Brooke, Hart Judo Academy
3	BONDT Nadine, Vernon Judo Club

U18 Male +81kg

Competitors

#	Name	Club	1	2	3	4	Wins	Pts	Pos
1	FERSHAU Asher	Abbotsford Judo Club	XX			10	1	10	3
2	NETTLES Dashiell	Kamloops Judo Club	10	XX		10	2	20	2
3	KALALI Kourosh	Champion Judo Club	10	10	XX	10	3	30	1
4	GUEZILLE Suliac	Police Judo Junior				XX	0	0	3

Matches

Match	White			Blue	Result	Time	Code
B-108	FERSHAU Asher	1	2	NETTLES Dashiell	0 - 10	1:17	IPO
B-109	KALALI Kourosh	3	4	GUEZILLE Suliac	10 - 0	0:00	FUS
B-117	FERSHAU Asher	1	3	KALALI Kourosh	0 - 10	1:11	IPO
B-118	NETTLES Dashiell	2	4	GUEZILLE Suliac	10 - 0	0:00	KIK
B-127	FERSHAU Asher	1	4	GUEZILLE Suliac	10 - 0	0:00	FUS
B-128	NETTLES Dashiell	2	3	KALALI Kourosh	0 - 10	3:24	IPO

Results

Pos	Name
1	KALALI Kourosh, Champion Judo Club
2	NETTLES Dashiell, Kamloops Judo Club
3	FERSHAU Asher, Abbotsford Judo Club
3	GUEZILLE Suliac, Police Judo Junior

U18 Male -81kg

Competitors

#	Name	Club	1	2	3	4	5	Wins	Pts	Pos
1	SCHULZ David	Mile Zero Judo Club	XX			10	10	2	20	2
2	RICHARDSON Kai	Williams Lake Judo Club	10	XX	10	10	10	4	40	1
3	SHORTER James	Smithers Judo Club	10		XX			1	10	5
4	ROBSON Zachary	Kokushikai Judo			10	XX		1	10	3
5	HUIJBREGTS Arun	Kokushikai Judo			10	10	XX	2	20	3

Matches

Match	White			Blue	Result	Time	Code
B-94A	ROBSON Zachary	4	5	HUIJBREGTS Arun	0 - 10	5:35	GSI
B-95A	SCHULZ David	1	2	RICHARDSON Kai	0 - 10	0:41	IPO
B-96A	SHORTER James	3	4	ROBSON Zachary	0 - 10	0:35	IPO
B-96C	SCHULZ David	1	5	HUIJBREGTS Arun	10 - 0	2:01	IPO
B-97B	RICHARDSON Kai	2	3	SHORTER James	10 - 0	0:26	IPO
B-98B	SCHULZ David	1	4	ROBSON Zachary	10 - 0	1:01	IPO
B-99A	SHORTER James	3	5	HUIJBREGTS Arun	0 - 10	3:17	IPO
B-99C	RICHARDSON Kai	2	4	ROBSON Zachary	10 - 0	0:47	IPO
B-101A	SCHULZ David	1	3	SHORTER James	0 - 10	0:15	IPO
B-102A	RICHARDSON Kai	2	5	HUIJBREGTS Arun	10 - 0	0:25	IPO

Results

Pos	Name
1	RICHARDSON Kai, Williams Lake Judo Club
2	SCHULZ David, Mile Zero Judo Club
3	HUIJBREGTS Arun, Kokushikai Judo
3	ROBSON Zachary, Kokushikai Judo
5	SHORTER James, Smithers Judo Club

U18 Female -63kg

Competitors

#	Name	Club	1	2	3	4	5	Wins	Pts	Pos
1	MORLAND Estelle	Nanaimo Judo Club	XX	10	10	10		3	30	2
2	LIAKOS Maria	Steveston Judo Club		XX	10			1	10	3
3	ALLEN Felicity	Champion Judo Club			XX			0	0	5
4	AGASSIZ Kaylin	Abbotsford Judo Club		10	10	XX		2	20	3
5	MORISHO Nyota	Victoria Judo Club	10	10	10	10	XX	4	40	1

Matches

Match	White			Blue	Result	Time	Code
C-94	AGASSIZ Kaylin	4	5	MORISHO Nyota	0 - 10	0:23	IPO
C-95	MORLAND Estelle	1	2	LIAKOS Maria	10 - 0	0:26	IPO
C-106	ALLEN Felicity	3	4	AGASSIZ Kaylin	0 - 10	1:16	IPO
C-107	MORLAND Estelle	1	5	MORISHO Nyota	0 - 10	0:14	IPO
C-110	LIAKOS Maria	2	3	ALLEN Felicity	10 - 0	1:31	IPO
C-111	MORLAND Estelle	1	4	AGASSIZ Kaylin	10 - 0	1:36	IPO
C-120	ALLEN Felicity	3	5	MORISHO Nyota	0 - 10	0:11	IPO
C-121	LIAKOS Maria	2	4	AGASSIZ Kaylin	0 - 10	0:37	IPO
C-129	MORLAND Estelle	1	3	ALLEN Felicity	10 - 0	0:07	IPO
C-130	LIAKOS Maria	2	5	MORISHO Nyota	0 - 10	0:13	IPO

Results

Pos	Name
1	MORISHO Nyota, Victoria Judo Club
2	MORLAND Estelle, Nanaimo Judo Club
3	AGASSIZ Kaylin, Abbotsford Judo Club
3	LIAKOS Maria, Steveston Judo Club
5	ALLEN Felicity, Champion Judo Club

U18 Female +63kg

Competitors

#	Name	Club	1	2	3	4	Wins	Pts	Pos
1	MCCORKELL Loveena	Mile Zero Judo Club	XX	10	10	10	3	30	1
2	LOWENSTEIN Jade	Penticton Judo Club		XX			0	0	3
3	MOORE Tula	Hart Judo Academy		10	XX	10	2	20	2
4	WEBB Dakota	Kokushikai Judo		10		XX	1	10	3

Matches

Match	White			Blue	Result	Time	Code
D-117	MCCORKELL Loveena	1	2	LOWENSTEIN Jade	10 - 0	1:16	IPO
D-118	MOORE Tula	3	4	WEBB Dakota	10 - 0	0:42	IPO
D-126	MCCORKELL Loveena	1	3	MOORE Tula	10 - 0	0:36	IPO
D-127	LOWENSTEIN Jade	2	4	WEBB Dakota	0 - 10	2:19	IPO
D-134	MCCORKELL Loveena	1	4	WEBB Dakota	10 - 0	2:39	HAN
D-135	LOWENSTEIN Jade	2	3	MOORE Tula	0 - 10	2:01	IPO

Results

Pos	Name
1	MCCORKELL Loveena, Mile Zero Judo Club
2	MOORE Tula, Hart Judo Academy
3	WEBB Dakota, Kokushikai Judo
3	LOWENSTEIN Jade, Penticton Judo Club

U18 Male -46kg

Competitors

#	Name	Club	1	2	1	2	1	2	Wins	Pts	Pos
1	VELONAS Peter	Abbotsford Judo Club	XX	10	XX	10	XX		2	20	1
2	FRIZELL Linus	Hart Judo Academy		XX		XX		XX	0	0	2

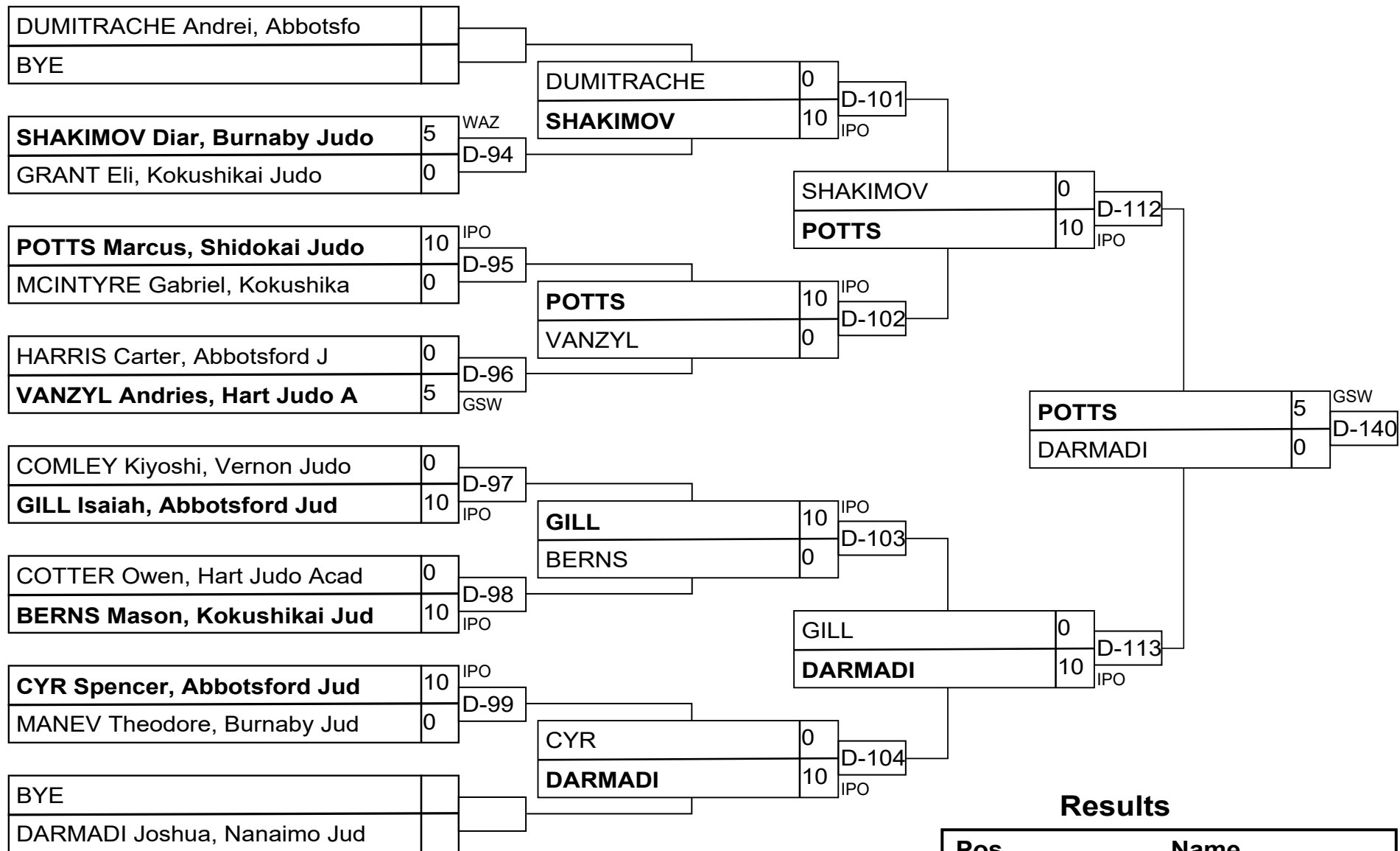
Matches

Match	White			Blue	Result	Time	Code
D-111	VELONAS Peter	1	2	FRIZELL Linus	10 - 0	0:00	FUS
D-119	FRIZELL Linus	2	1	VELONAS Peter	0 - 10	0:00	FUS
D-128	VELONAS Peter	1	2	FRIZELL Linus			

Results

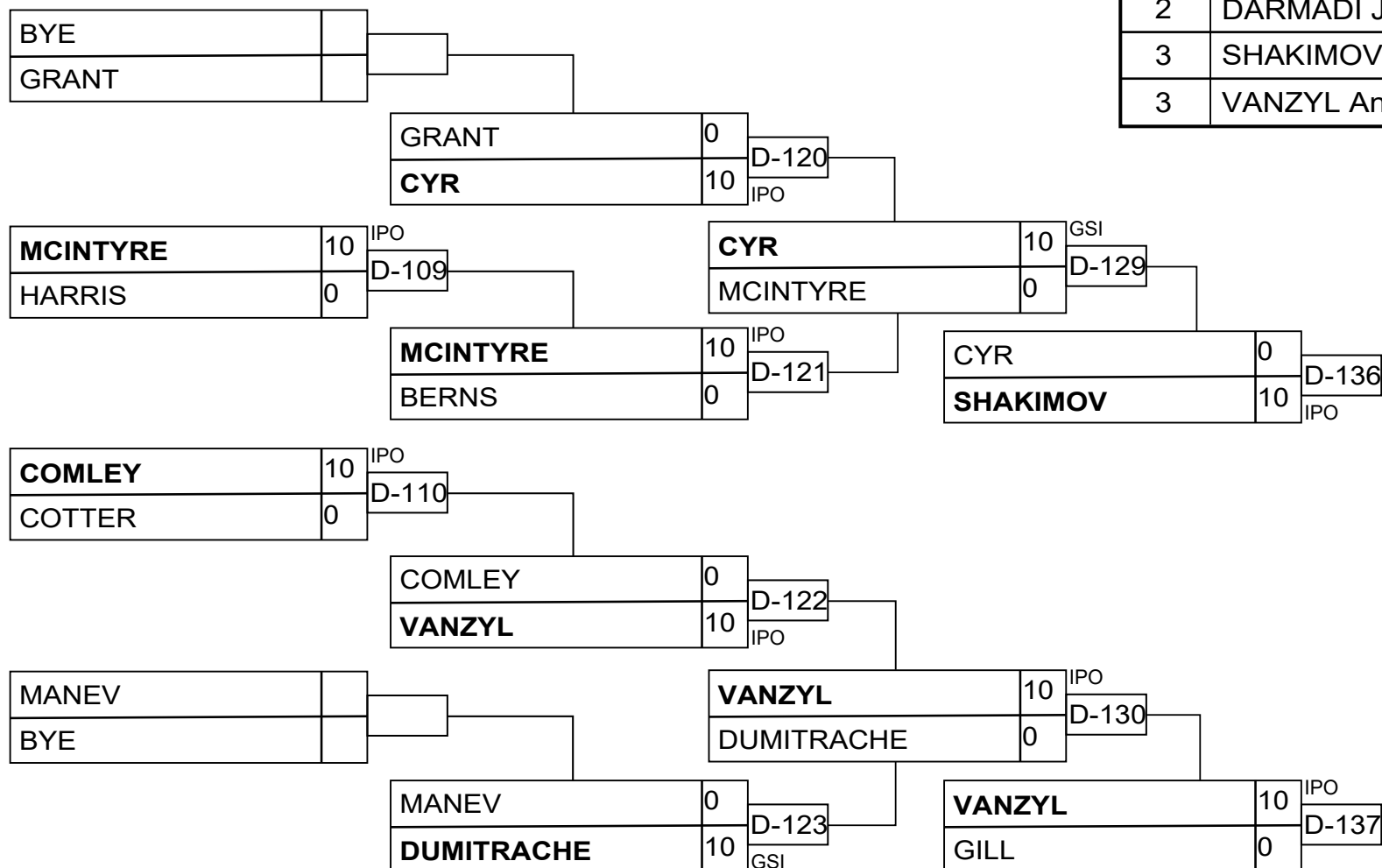
Pos	Name
1	VELONAS Peter, Abbotsford Judo Club
2	FRIZELL Linus, Hart Judo Academy

U18 Male -55kg

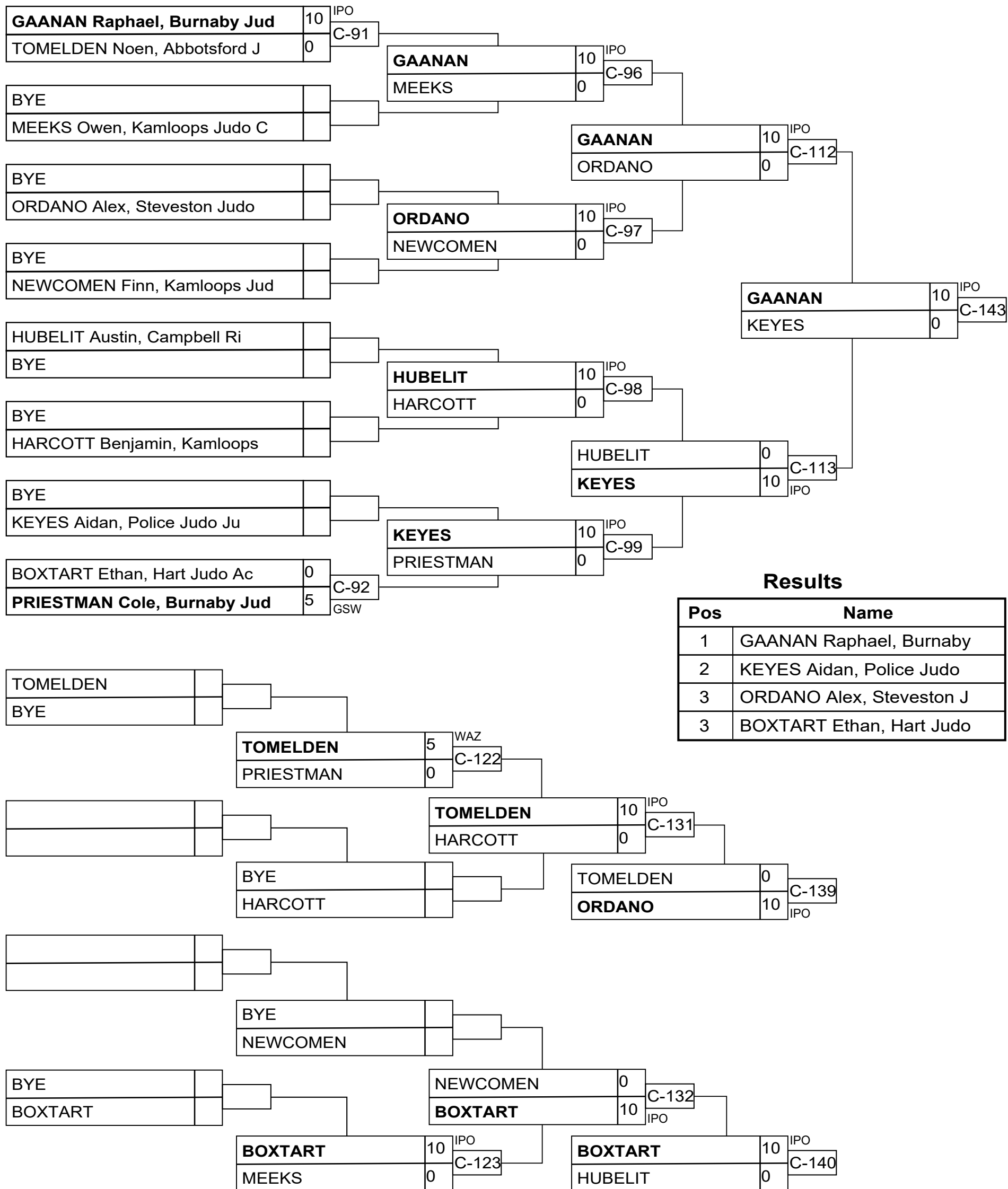


Results

Pos	Name
1	POTTTS Marcus, Shidokai J
2	DARMADI Joshua, Nanaimo
3	SHAKIMOV Diar, Burnaby J
3	VANZYL Andries, Hart Jud



U18 Male -60kg



Results

Pos	Name
1	GAANAN Raphael, Burnaby
2	KEYES Aidan, Police Judo
3	ORDANO Alex, Steveston J
3	BOXTART Ethan, Hart Judo

U14 Male +66kg

Competitors

#	Name	Club	1	2	1	2	1	2	Wins	Pts	Pos
1	LI Daniel	Police Judo Junior	XX	10	XX	10	XX		2	20	1
2	EMMANUELE Francesco	Port Coquitlam Judo Club		XX		XX		XX	0	0	2

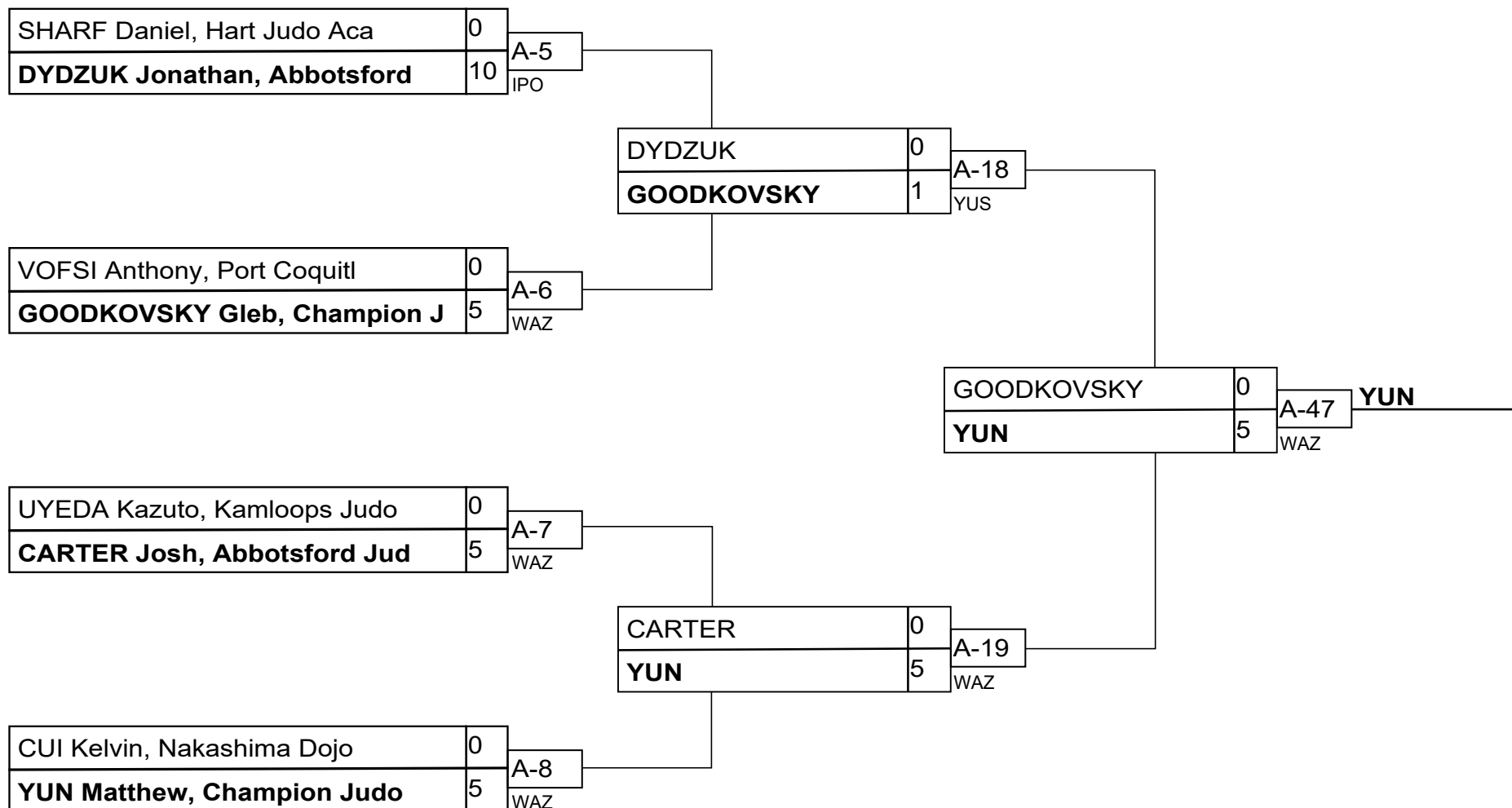
Matches

Match	White			Blue	Result	Time	Code
B-22	LI Daniel	1	2	EMMANUELE Francesco	10 - 0	0:36	IPO
B-32	EMMANUELE Francesco	2	1	LI Daniel	0 - 10	0:31	IPO
B-43	LI Daniel	1	2	EMMANUELE Francesco			

Results

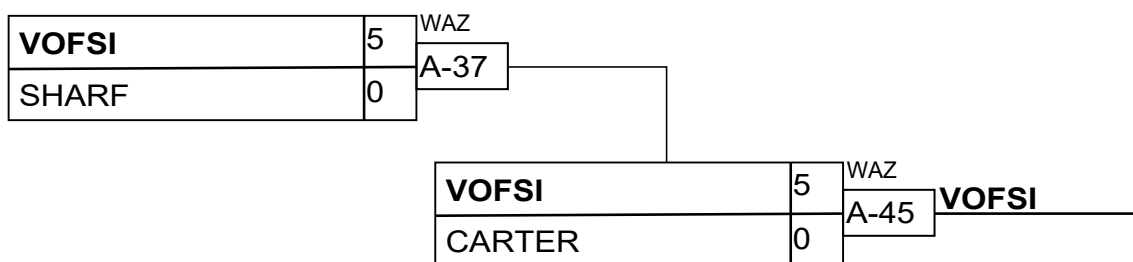
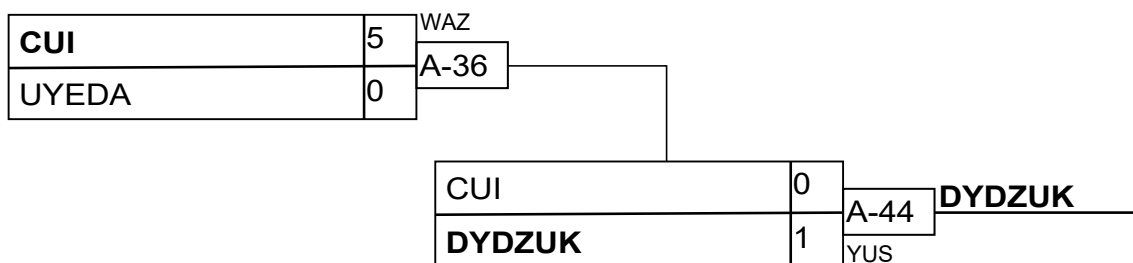
Pos	Name
1	LI Daniel, Police Judo Junior
2	EMMANUELE Francesco, Port Coquitlam Judo Club

U14 Male -55kg



Results

Pos	Name
1	YUN Matthew, Champion Ju
2	GOODKOVSKY Gleb, Champio
3	DYDZUK Jonathan, Abbotsf
3	VOFSI Anthony, Port Coqu



U14 Male -50kg

Competitors A

#	Name	Club	1	2	3	4	Wins	Pts	Pos
1	YANG Anthony	Nanaimo Judo Club	XX			10	1	10	3
2	CLOUTIER Michael	Kamloops Judo Club	10	XX		10	2	20	2
3	DEBANKS Ivan	White Rock Judo Club	10	10	XX	10	3	30	1
4	IKARI William	Police Judo Junior				XX	0	0	4

Matches A

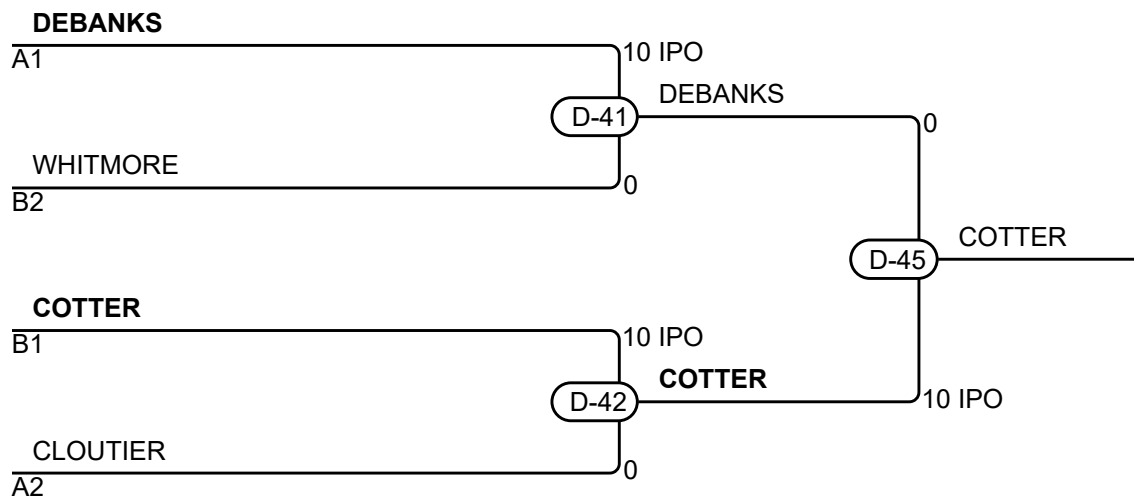
Match	White	Blue	Result	Time	Code
D-11	YANG Anthony 1 2	CLOUTIER Michael	0 - 10	1:40	IPO
D-12	DEBANKS Ivan 3 4	IKARI William	10 - 0	0:06	IPO
D-22	YANG Anthony 1 3	DEBANKS Ivan	0 - 10	0:11	IPO
D-23	CLOUTIER Michael 2 4	IKARI William	10 - 0	1:52	IPO
D-34	YANG Anthony 1 4	IKARI William	10 - 0	0:48	IPO
D-35	CLOUTIER Michael 2 3	DEBANKS Ivan	0 - 10	0:08	IPO

Competitors B

#	Name	Club	5	6	7	Wins	Pts	Pos
5	KRUGER John	Nanaimo Judo Club	XX			0	0	3
6	COTTER Aidan	Hart Judo Academy	5	XX	10	2	15	1
7	WHITMORE Gavin	Abbotsford Judo Club	10		XX	1	10	2

Matches B

Match	White	Blue	Result	Time	Code
D-13	KRUGER John 5 6	COTTER Aidan	0 - 5	3:00	WAZ
D-24	KRUGER John 5 7	WHITMORE Gavin	0 - 10	0:19	IPO
D-36	COTTER Aidan 6 7	WHITMORE Gavin	10 - 0	1:50	IPO



Results

Pos	Name
1	COTTER Aidan, Hart Judo Academy
2	DEBANKS Ivan, White Rock Judo Club
3	WHITMORE Gavin, Abbotsford Judo Club
3	CLOUTIER Michael, Kamloops Judo Club

U12 Female -30kg A

Competitors

#	Name	Club	1	2	3	4	Wins	Pts	Pos
1	FOSTERSON Trinity	Nanaimo Judo Club	XX		10		1	10	3
2	AU Megan	Burnaby Judo Club	5	XX	10	10	3	25	1
3	YIN Abigail	Prince George Judo Club			XX		0	0	3
4	KEIRSTEAD Wish	Shidokai Judo	5		2	XX	2	7	2

Matches

Match	White			Blue	Result	Time	Code
B-23	FOSTERSON Trinity	1	2	AU Megan	0 - 5	2:00	WAZ
B-24	YIN Abigail	3	4	KEIRSTEAD Wish	0 - 2	2:00	
B-33	FOSTERSON Trinity	1	3	YIN Abigail	10 - 0	2:00	IPO
B-34	AU Megan	2	4	KEIRSTEAD Wish	10 - 0	1:37	IPO
B-44	FOSTERSON Trinity	1	4	KEIRSTEAD Wish	0 - 5	2:00	WAZ
B-45	AU Megan	2	3	YIN Abigail	10 - 0	1:15	IPO

Results

Pos	Name
1	AU Megan, Burnaby Judo Club
2	KEIRSTEAD Wish, Shidokai Judo
3	FOSTERSON Trinity, Nanaimo Judo Club
3	YIN Abigail, Prince George Judo Club

U12 Female -30kg B

Competitors

#	Name	Club	1	2	3	Wins	Pts	Pos
1	DEBANKS Dianna	White Rock Judo Club	XX	5	5	2	10	1
2	COVASER Vanessa	Burnaby Judo Club		XX		0	0	3
3	YOO Clena	Champion Judo Club		5	XX	1	5	2

Matches

Match	White			Blue	Result	Time	Code
A-13	DEBANKS Dianna	1	2	COVASER Vanessa	5 - 0	2:00	WAZ
A-24	DEBANKS Dianna	1	3	YOO Clena	5 - 0	2:00	WAZ
A-31	COVASER Vanessa	2	3	YOO Clena	0 - 5	2:00	WAZ

Results

Pos	Name
1	DEBANKS Dianna, White Rock Judo Club
2	YOO Clena, Champion Judo Club
3	COVASER Vanessa, Burnaby Judo Club

U12 Female -33kg

Competitors

#	Name	Club	1	2	3	Wins	Pts	Pos
1	DREBOT Elena	Police Judo Junior	XX			0	0	3
2	BURGESS Samantha	Police Judo Junior	5	XX		1	5	2
3	CHON Bea	White Rock Judo Club	1	10	XX	2	11	1

Matches

Match	White			Blue	Result	Time	Code
B-1	DREBOT Elena	1	2	BURGESS Samantha	0 - 5	2:00	WAZ
B-2	DREBOT Elena	1	3	CHON Bea	0 - 1	2:00	YUS
B-35	BURGESS Samantha	2	3	CHON Bea	0 - 10	2:00	IPO

Results

Pos	Name
1	CHON Bea, White Rock Judo Club
2	BURGESS Samantha, Police Judo Junior
3	DREBOT Elena, Police Judo Junior

U12 Female -39kg

Competitors

#	Name	Club	1	2	3	4	Wins	Pts	Pos
1	HENDERSON Celiste	Nakashima Dojo Judo Club	XX				0	0	3
2	GODOY Elena	Nakashima Dojo Judo Club	10	XX		5	2	15	2
3	DEBANKS Vanessa	White Rock Judo Club	10	10	XX	5	3	25	1
4	BECKETT Olivia	Prince George Judo Club	10			XX	1	10	3

Matches

Match	White			Blue	Result	Time	Code
C-1	HENDERSON Celiste	1	2	GODOY Elena	0 - 10	2:00	IPO
C-2	DEBANKS Vanessa	3	4	BECKETT Olivia	5 - 0	2:00	WAZ
C-22	HENDERSON Celiste	1	3	DEBANKS Vanessa	0 - 10	1:53	IPO
C-23	GODOY Elena	2	4	BECKETT Olivia	5 - 0	2:00	WAZ
C-31	HENDERSON Celiste	1	4	BECKETT Olivia	0 - 10	2:00	IPO
C-32	GODOY Elena	2	3	DEBANKS Vanessa	0 - 10	2:00	IPO

Results

Pos	Name
1	DEBANKS Vanessa, White Rock Judo Club
2	GODOY Elena, Nakashima Dojo Judo Club
3	BECKETT Olivia, Prince George Judo Club
3	HENDERSON Celiste, Nakashima Dojo Judo Club

U12 Female -50kg

Competitors

#	Name	Club	1	2	1	2	1	2	Wins	Pts	Pos
1	LAZINCHUCK Zoey	Mile Zero Judo Club	XX	10	XX		XX	10	2	20	1
2	MAIN Lynden	Delta Kaigan Judo Club		XX	2	XX		XX	1	2	2

Matches

Match	White			Blue	Result	Time	Code
D-1	LAZINCHUCK Zoey	1	2	MAIN Lynden	10 - 0	2:00	IPO
D-2	MAIN Lynden	2	1	LAZINCHUCK Zoey	2 - 0	2:00	
D-25	LAZINCHUCK Zoey	1	2	MAIN Lynden	10 - 0	1:08	IPO

Results

Pos	Name
1	LAZINCHUCK Zoey, Mile Zero Judo Club
2	MAIN Lynden, Delta Kaigan Judo Club

U12 Male -25kg

Competitors

#	Name	Club	1	2	3	Wins	Pts	Pos
1	MORRIS Rio	Police Judo Junior	XX	10		1	10	2
2	HOKOYAMA Ashitaka	Police Judo Junior		XX		0	0	3
3	WONG Lawren	Nakashima Dojo Judo Club	10	5	XX	2	15	1

Matches

Match	White			Blue	Result	Time	Code
A-14	MORRIS Rio	1	2	HOKOYAMA Ashitaka	10 - 0	2:00	IPO
A-25	MORRIS Rio	1	3	WONG Lawren	0 - 10	1:14	IPO
A-32	HOKOYAMA Ashitaka	2	3	WONG Lawren	0 - 5	2:00	WAZ

Results

Pos	Name
1	WONG Lawren, Nakashima Dojo Judo Club
2	MORRIS Rio, Police Judo Junior
3	HOKOYAMA Ashitaka, Police Judo Junior

Sr (Gre/Blu) Male +100kg

Competitors

#	Name	Club	1	2	3	Wins	Pts	Pos
1	INGLIS Nathan	Campbell River Judo Club	XX		10	1	10	2
2	ENS James	Abbotsford Judo Club	10	XX	10	2	20	1
3	VAUDAN Andre	Langley Judo Club			XX	0	0	3

Matches

Match	White			Blue	Result	Time	Code
D-129A	INGLIS Nathan	1	2	ENS James	0 - 10	0:49	IPO
D-138A	INGLIS Nathan	1	3	VAUDAN Andre	10 - 0	3:52	IPO
D-140A	ENS James	2	3	VAUDAN Andre	10 - 0	0:49	IPO

Results

Pos	Name
1	ENS James, Abbotsford Judo Club
2	INGLIS Nathan, Campbell River Judo Club
3	VAUDAN Andre, Langley Judo Club

Sr (Gre/Blu) Male -81kg Tie

Competitors

#	Name	Club	1	2	3	Wins	Pts	Pos
1	PARK John	Westminster Judo Club	XX	10		1	10	2
2	AZIZ Mohammad Ali	Westminster Judo Club		XX		0	0	3
3	KIM Soonki	Kensington Judo Club	10	10	XX	2	20	1

Matches

Match	White			Blue	Result	Time	Code
C-1	PARK John	1	2	AZIZ Mohammad Ali	10 - 0	1:11	IPO
C-2	PARK John	1	3	KIM Soonki	0 - 10	1:52	IPO
C-3	AZIZ Mohammad Ali	2	3	KIM Soonki	0 - 10	0:29	IPO

Results

Pos	Name
1	KIM Soonki, Kensington Judo Club
2	PARK John, Westminster Judo Club
3	AZIZ Mohammad Ali, Westminster Judo Club

Sr (Gre/Blu) Male -81kg

Competitors A

#	Name	Club	1	2	3	4	Wins	Pts	Pos
1	PARK John	Westminster Judo Club	XX	10		10	2	20	2
2	FRICK Brendon	Police Judo Junior		XX			0	0	4
3	KIM Soonki	Kensington Judo Club	10	10	XX	10	3	30	1
4	AZIZ Mohammad Ali	Westminster Judo Club		10		XX	1	10	3

Matches A

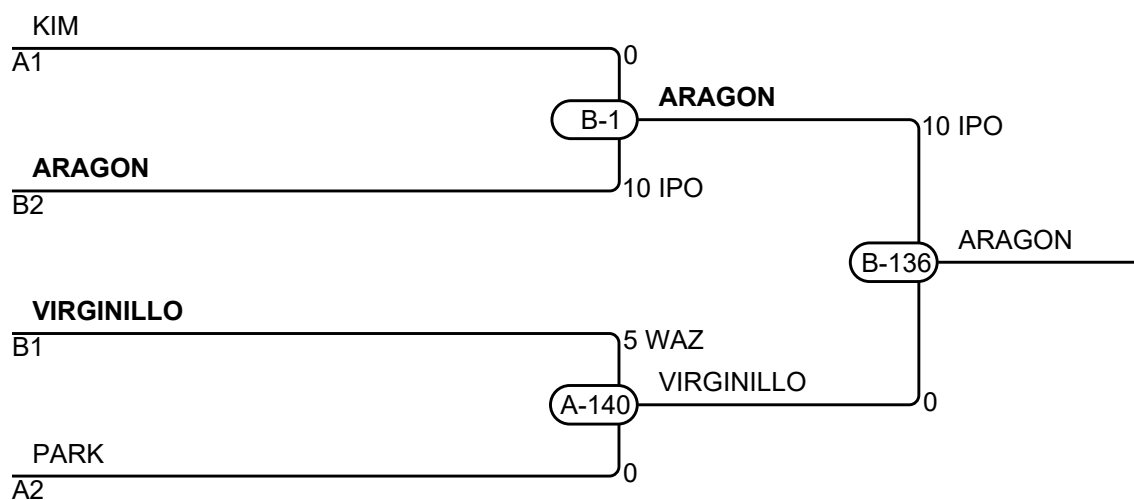
Match	White	Blue	Result	Time	Code
B-102	PARK John	FRICK Brendon	10 - 0	0:09	IPO
B-103	KIM Soonki	AZIZ Mohammad Ali	10 - 0	3:25	IPO
B-111	PARK John	KIM Soonki	0 - 10	0:49	IPO
B-112	FRICK Brendon	AZIZ Mohammad Ali	0 - 10	1:06	IPO
B-121	PARK John	AZIZ Mohammad Ali	10 - 0	0:08	IPO
B-122	FRICK Brendon	KIM Soonki	0 - 10	0:46	IPO

Competitors B

#	Name	Club	5	6	7	Wins	Pts	Pos
5	WHITEHEAD Michael	Abbotsford Judo Club	XX			0	0	3
6	ARAGON Eduardo	Lake Country Judo Club	10	XX		1	10	2
7	VIRGINILLO Mark	Westminster Judo Club	10	10	XX	2	20	1

Matches B

Match	White	Blue	Result	Time	Code
B-104	WHITEHEAD Michael	ARAGON Eduardo	0 - 10	2:19	IPO
B-113	WHITEHEAD Michael	VIRGINILLO Mark	0 - 10	0:27	IPO
B-123	ARAGON Eduardo	VIRGINILLO Mark	0 - 10	0:41	IPO



Results

Pos	Name
1	ARAGON Eduardo, Lake Country Judo Club
2	VIRGINILLO Mark, Westminster Judo Club
3	KIM Soonki, Kensington Judo Club
3	PARK John, Westminster Judo Club

Sr (Bro/Bla) Male -66kg

Competitors A

#	Name	Club	1	2	3	Wins	Pts	Pos
1	GREENWOOD Davin	Hart Judo Academy	XX		10	1	10	2
2	DE BEM RAEFFRAY BARBOSA Fernando	Burnaby Judo Club	10	XX	10	2	20	1
3	JOE Maximus	Burnaby Judo Club			XX	0	0	3

Matches A

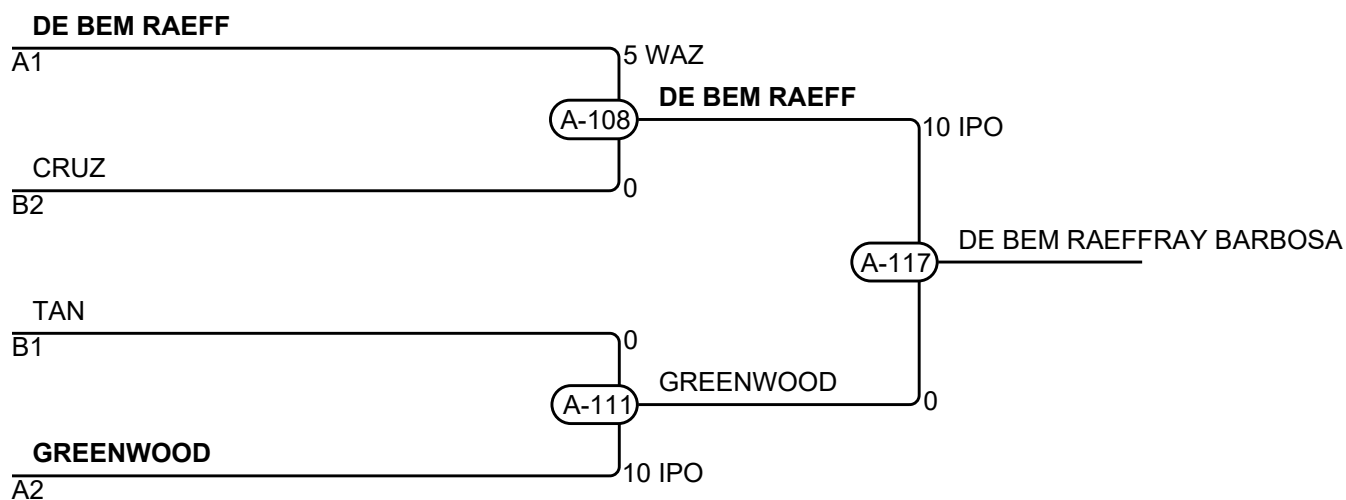
Match	White			Blue	Result	Time	Code
A-96A	GREENWOOD Davin	1	2	DE BEM RAEFFRAY BARBOSA Fernando	0 - 10	2:05	IPO
A-100A	GREENWOOD Davin	1	3	JOE Maximus	10 - 0	3:00	IPO
A-105A	DE BEM RAEFFRAY BARBOSA Fernando	2	3	JOE Maximus	10 - 0	5:46	GSI

Competitors B

#	Name	Club	4	5	6	Wins	Pts	Pos
4	TAN Mark	Burnaby Judo Club	XX	10	10	2	20	1
5	YAMAWAKI Kaito	Steveston Judo Club		XX		0	0	3
6	CRUZ John	Westminster Judo Club		10	XX	1	10	2

Matches B

Match	White			Blue	Result	Time	Code
A-98	TAN Mark	4	5	YAMAWAKI Kaito	10 - 0	1:34	IPO
A-102	TAN Mark	4	6	CRUZ John	10 - 0	1:26	IPO
A-106A	YAMAWAKI Kaito	5	6	CRUZ John	0 - 10	0:50	IPO



Results

Pos	Name
1	DE BEM RAEFFRAY BARBOSA Fernando, Burnaby Jud
2	GREENWOOD Davin, Hart Judo Academy
3	CRUZ John, Westminster Judo Club
3	TAN Mark, Burnaby Judo Club

Sr (Bro/Bla) Male -66kg TieBre

Competitors

#	Name	Club	1	2	3	Wins	Pts	Pos
1	DE BEM RAEFFRAY BARBOSA Fernando	Burnaby Judo Club	XX	10	5	2	15	1
2	JOE Maximus	Burnaby Judo Club		XX		0	0	3
3	GREENWOOD Davin	Hart Judo Academy		10	XX	1	10	2

Matches

Match	White			Blue	Result	Time	Code
D-137A	DE BEM RAEFFRAY BARBOSA Fernando	1	2	JOE Maximus	10 - 0	1:27	IPO
D-139A	DE BEM RAEFFRAY BARBOSA Fernando	1	3	GREENWOOD Davin	5 - 0	4:00	WAZ
D-142	JOE Maximus	2	3	GREENWOOD Davin	0 - 10	3:37	IPO

Results

Pos	Name
1	DE BEM RAEFFRAY BARBOSA Fernando, Burnaby Jud
2	GREENWOOD Davin, Hart Judo Academy
3	JOE Maximus, Burnaby Judo Club

Sr (Bro/Bla) Male -81kg

Competitors A

#	Name	Club	1	2	3	Wins	Pts	Pos
1	ORDANO Dylan	Steveston Judo Club	XX			0	0	3
2	GAUW Jaden	Burnaby Judo Club	10	XX		1	10	2
3	MEADE Tyler	Lake Country Judo Club	10	10	XX	2	20	1

Matches A

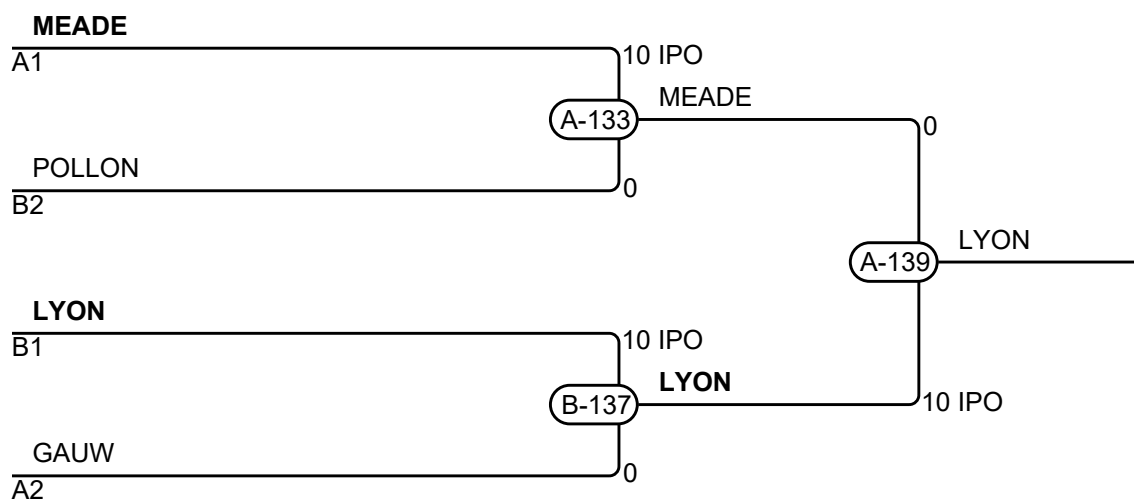
Match	White	Blue	Result	Time	Code
A-113	ORDANO Dylan	GAUW Jaden	0 - 10	0:00	IPO
A-124	ORDANO Dylan	MEADE Tyler	0 - 10	0:00	IPO
A-129A	GAUW Jaden	MEADE Tyler	0 - 10	0:13	IPO

Competitors B

#	Name	Club	4	5	6	Wins	Pts	Pos
4	LYON Tim	Burnaby Judo Club	XX	10	10	2	20	1
5	POLLON Dryden	Kamloops Judo Club		XX	10	1	10	2
6	FANKHANEL Nicholas	Abbotsford Judo Club			XX	0	0	3

Matches B

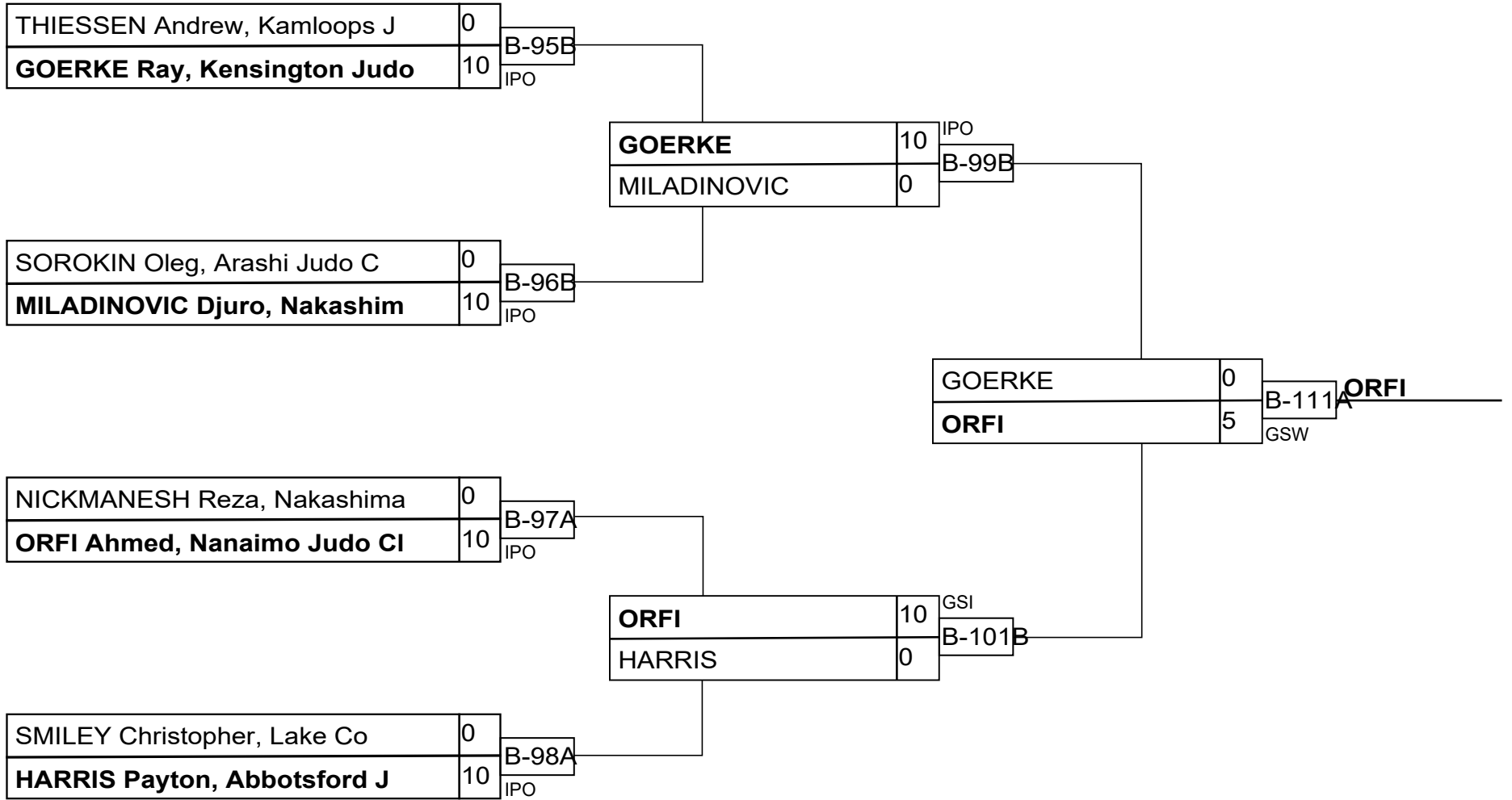
Match	White	Blue	Result	Time	Code
A-114	LYON Tim	POLLON Dryden	10 - 0	2:49	IPO
A-125	LYON Tim	FANKHANEL Nicholas	10 - 0	1:15	IPO
A-130A	POLLON Dryden	FANKHANEL Nicholas	10 - 0	0:33	IPO



Results

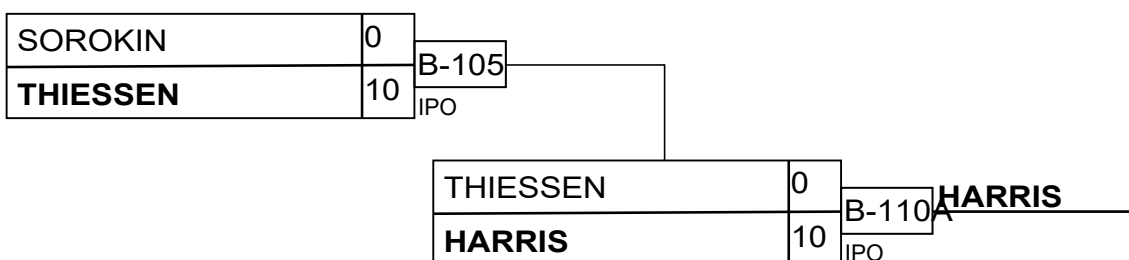
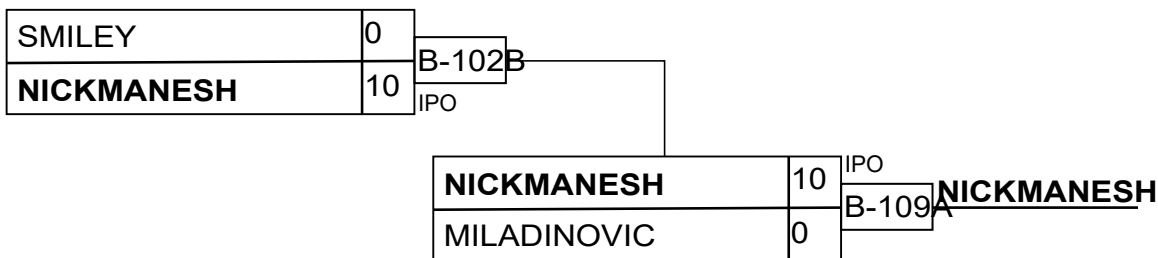
Pos	Name
1	LYON Tim, Burnaby Judo Club
2	MEADE Tyler, Lake Country Judo Club
3	POLLON Dryden, Kamloops Judo Club
3	GAUW Jaden, Burnaby Judo Club

Sr (Bro/Bla) Male -90kg



Results

Pos	Name
1	ORFI Ahmed, Nanaimo Judo
2	GOERKE Ray, Kensington J
3	NICKMANESH Reza, Nakashi
3	HARRIS Payton, Abbotsfor



Sr (Gre/Blu) Female -57kg

Competitors

#	Name	Club	1	2	3	Wins	Pts	Pos
1	MOWATT Christina (VI)	Burnaby Judo Club	XX			0	0	3
2	MCCORKELL Sienna	Mile Zero Judo Club	10	XX	10	2	20	1
3	CORBETT Brooke	Hart Judo Academy	10		XX	1	10	2

Matches

Match	White			Blue	Result	Time	Code
C-118	MOWATT Christina (VI)	1	2	MCCORKELL Sienna	0 - 10	0:26	IPO
C-127	MOWATT Christina (VI)	1	3	CORBETT Brooke	0 - 10	0:47	IPO
C-137	MCCORKELL Sienna	2	3	CORBETT Brooke	10 - 0	2:36	IPO

Results

Pos	Name
1	MCCORKELL Sienna, Mile Zero Judo Club
2	CORBETT Brooke, Hart Judo Academy
3	MOWATT Christina (VI), Burnaby Judo Club

U12 Male -30kg A

Competitors

#	Name	Club	1	2	3	4	5	Wins	Pts	Pos
1	DARMADI Philip	Nanaimo Judo Club	XX	10		5	10	3	25	1
2	GRAF Ethan	Lake Country Judo Club		XX				0	0	5
3	RAUCH Matthew	Abbotsford Judo Club	5	10	XX			2	15	3
4	KIM Aiden	Champion Judo Club		10	5	XX	10	3	25	2
5	GAIDELIS Vladislav	Capilano Seikidokan Judo		2	1		XX	2	3	3

Matches

Match	White			Blue	Result	Time	Code
B-3	KIM Aiden	4	5	GAIDELIS Vladislav	10 - 0	2:00	IPO
B-4	DARMADI Philip	1	2	GRAF Ethan	10 - 0	2:00	IPO
B-9	RAUCH Matthew	3	4	KIM Aiden	0 - 5	2:00	WAZ
B-10	DARMADI Philip	1	5	GAIDELIS Vladislav	10 - 0	2:00	IPO
B-15	GRAF Ethan	2	3	RAUCH Matthew	0 - 10	1:40	IPO
B-16	DARMADI Philip	1	4	KIM Aiden	5 - 0	2:00	WAZ
B-25	RAUCH Matthew	3	5	GAIDELIS Vladislav	0 - 1	2:00	YUS
B-26	GRAF Ethan	2	4	KIM Aiden	0 - 10	1:20	IPO
B-36	DARMADI Philip	1	3	RAUCH Matthew	0 - 5	2:00	WAZ
B-37	GRAF Ethan	2	5	GAIDELIS Vladislav	0 - 2	2:00	

Results

Pos	Name
1	DARMADI Philip, Nanaimo Judo Club
2	KIM Aiden, Champion Judo Club
3	RAUCH Matthew, Abbotsford Judo Club
3	GAIDELIS Vladislav, Capilano Seikidokan Judo
5	GRAF Ethan, Lake Country Judo Club

U12 Male -30kg B

Competitors

#	Name	Club	1	2	3	4	5	Wins	Pts	Pos
1	LOLIEV Akhmed	Burnaby Judo Club	XX	10	5	10	1	4	26	1
2	HEDSTROM Jesse-Castor	Prince George Judo Club		XX	1	1		2	2	3
3	CARDONA Ethan	Delta Kaigan Judo Club			XX			0	0	5
4	KO Logan	Burnaby Judo Club			10	XX		1	10	3
5	LE BRIS Ewen	Burnaby Judo Club		10	10	5	XX	3	25	2

Matches

Match	White			Blue	Result	Time	Code
A-9	KO Logan	4	5	LE BRIS Ewen	0 - 5	1:51	WAZ
A-10	LOLIEV Akhmed	1	2	HEDSTROM Jesse-Castor	10 - 0	2:00	IPO
A-11	CARDONA Ethan	3	4	KO Logan	0 - 10	2:00	IPO
A-12	LOLIEV Akhmed	1	5	LE BRIS Ewen	1 - 0	2:00	YUS
A-21	HEDSTROM Jesse-Castor	2	3	CARDONA Ethan	1 - 0	2:00	YUS
A-22	LOLIEV Akhmed	1	4	KO Logan	10 - 0	1:50	IPO
A-28	CARDONA Ethan	3	5	LE BRIS Ewen	0 - 10	2:00	IPO
A-29	HEDSTROM Jesse-Castor	2	4	KO Logan	1 - 0	2:00	YUS
A-39	LOLIEV Akhmed	1	3	CARDONA Ethan	5 - 0	2:00	WAZ
A-40	HEDSTROM Jesse-Castor	2	5	LE BRIS Ewen	0 - 10	2:00	IPO

Results

Pos	Name
1	LOLIEV Akhmed, Burnaby Judo Club
2	LE BRIS Ewen, Burnaby Judo Club
3	HEDSTROM Jesse-Castor, Prince George Judo Clu
3	KO Logan, Burnaby Judo Club
5	CARDONA Ethan, Delta Kaigan Judo Club

U12 Male -33kg

Competitors

#	Name	Club	1	2	3	4	Wins	Pts	Pos
1	NAZARI Artin	Burnaby Judo Club	XX		1	10	2	11	2
2	TEMIRBAEV Amir	Burnaby Judo Club	5	XX	5	10	3	20	1
3	SHEVCHENKO Yegor	Champion Judo Club			XX	10	1	10	3
4	CAUSSEL Emrick	Kensington Judo Club				XX	0	0	3

Matches

Match	White			Blue	Result	Time	Code
C-15	NAZARI Artin	1	2	TEMIRBAEV Amir	0 - 5	2:00	WAZ
C-16	SHEVCHENKO Yegor	3	4	CAUSSEL Emrick	10 - 0	1:18	IPO
C-24	NAZARI Artin	1	3	SHEVCHENKO Yegor	1 - 0	2:00	YUS
C-25	TEMIRBAEV Amir	2	4	CAUSSEL Emrick	10 - 0	1:03	IPO
C-33	NAZARI Artin	1	4	CAUSSEL Emrick	10 - 0	2:00	IPO
C-34	TEMIRBAEV Amir	2	3	SHEVCHENKO Yegor	5 - 0	2:00	WAZ

Results

Pos	Name
1	TEMIRBAEV Amir, Burnaby Judo Club
2	NAZARI Artin, Burnaby Judo Club
3	SHEVCHENKO Yegor, Champion Judo Club
3	CAUSSEL Emrick, Kensington Judo Club

U14 Female -57kg

Competitors

#	Name	Club	1	2	3	4	5	Wins	Pts	Pos
1	GREENWOOD Aria	Hart Judo Academy	XX	10	10	10	5	4	35	1
2	GLADSTONE Alewyn	Nanaimo Judo Club		XX	10	10	10	3	30	2
3	EL-HUSSEINI Christina	Westminster Judo Club			XX	10		1	10	3
4	AKERLEY Emma	Prince George Judo Club				XX	1	1	1	5
5	YIN Hannah	Prince George Judo Club			5		XX	1	5	3

Matches

Match	White			Blue	Result	Time	Code
B-5	AKERLEY Emma	4	5	YIN Hannah	1 - 0	0:05	YUS
B-6	GREENWOOD Aria	1	2	GLADSTONE Alewyn	10 - 0	0:44	IPO
B-11	EL-HUSSEINI Christina	3	4	AKERLEY Emma	10 - 0	1:32	IPO
B-12	GREENWOOD Aria	1	5	YIN Hannah	5 - 0	3:00	WAZ
B-18	GLADSTONE Alewyn	2	3	EL-HUSSEINI Christina	10 - 0	1:08	IPO
B-19	GREENWOOD Aria	1	4	AKERLEY Emma	10 - 0	0:55	IPO
B-28	EL-HUSSEINI Christina	3	5	YIN Hannah	0 - 5	3:00	WAZ
B-29	GLADSTONE Alewyn	2	4	AKERLEY Emma	10 - 0	1:24	IPO
B-39	GREENWOOD Aria	1	3	EL-HUSSEINI Christina	10 - 0	1:07	IPO
B-40	GLADSTONE Alewyn	2	5	YIN Hannah	10 - 0	1:26	IPO

Results

Pos	Name
1	GREENWOOD Aria, Hart Judo Academy
2	GLADSTONE Alewyn, Nanaimo Judo Club
3	EL-HUSSEINI Christina, Westminster Judo Club
3	YIN Hannah, Prince George Judo Club
5	AKERLEY Emma, Prince George Judo Club

U14 Female +57kg

Competitors

#	Name	Club	1	2	1	2	1	2	Wins	Pts	Pos
1	BAINS Aminah	Champion Judo Club	XX		XX		XX		0	0	2
2	MCCULLOUGH Lily	Prince George Judo Club	5	XX	5	XX		XX	2	10	1

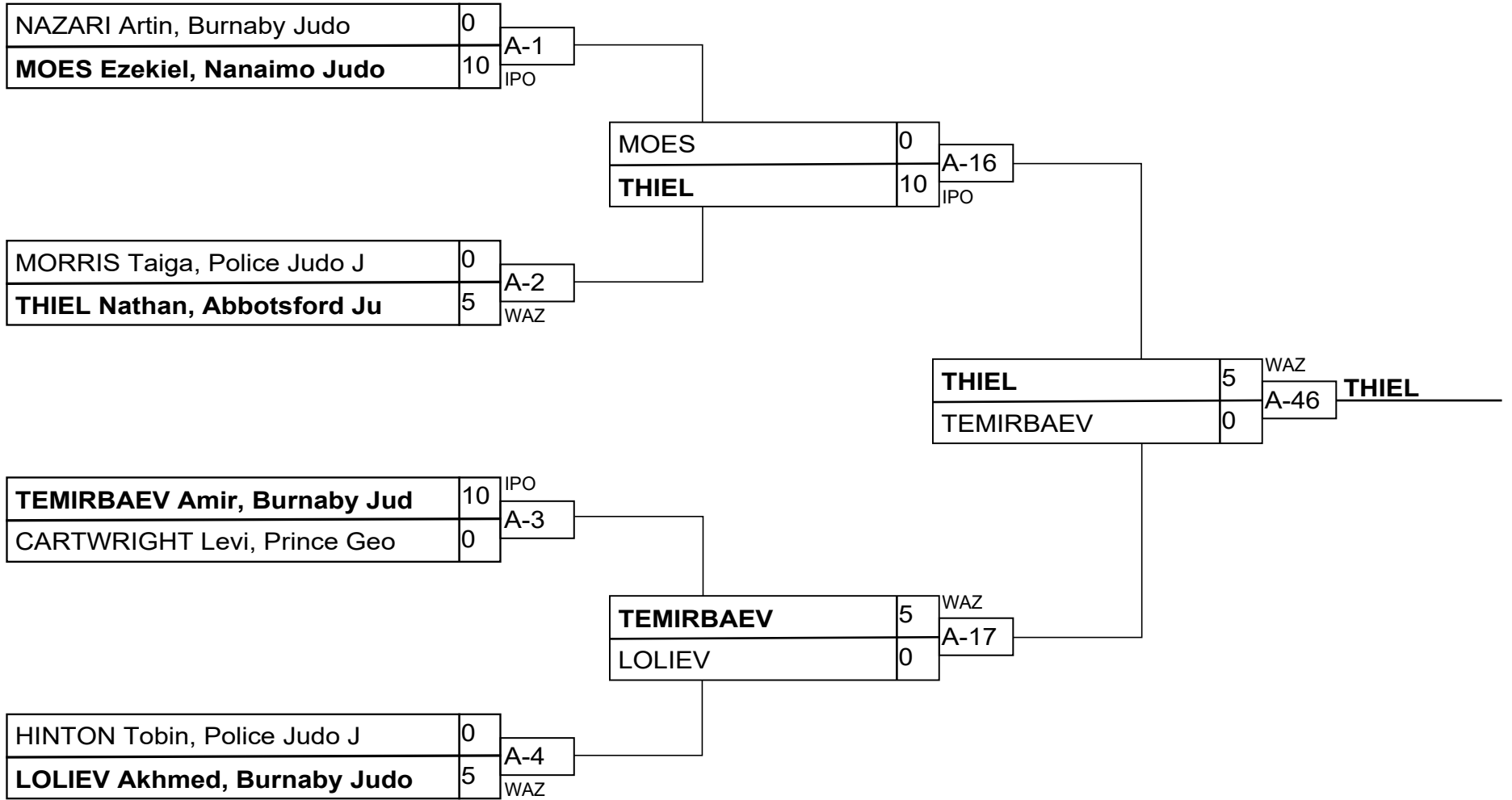
Matches

Match	White			Blue	Result	Time	Code
A-20	BAINS Aminah	1	2	MCCULLOUGH Lily	0 - 5	0:46	WAZ
A-27	MCCULLOUGH Lily	2	1	BAINS Aminah	5 - 0	0:47	WAZ
A-38	BAINS Aminah	1	2	MCCULLOUGH Lily			

Results

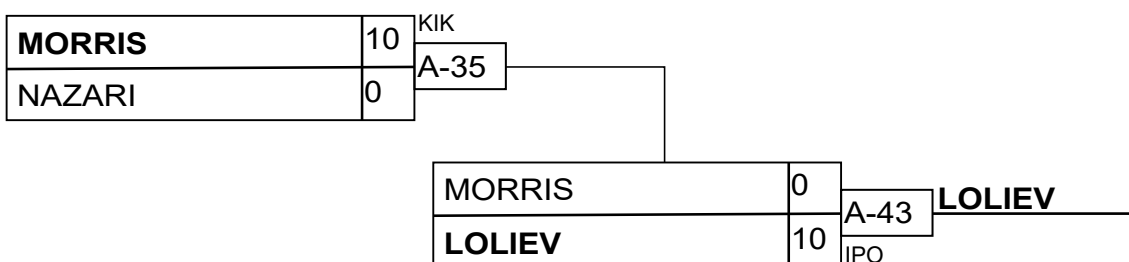
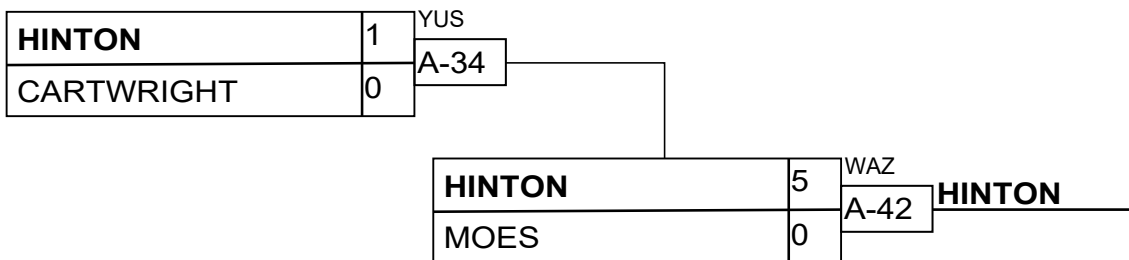
Pos	Name
1	MCCULLOUGH Lily, Prince George Judo Club
2	BAINS Aminah, Champion Judo Club

U14 Male -34kg



Results

Pos	Name
1	THIEL Nathan, Abbotsford
2	TEMIRBAEV Amir, Burnaby
3	HINTON Tobin, Police Jud
3	LOLIEV Akhmed, Burnaby J



U14 Male -38kg

Competitors

#	Name	Club	1	2	3	4	5	Wins	Pts	Pos
1	BAL Arjun	Abbotsford Judo Club	XX		10			1	10	3
2	TO Desmond	Nakashima Dojo Judo Club	5	XX		10	10	3	25	1
3	THACHUK Michael	White Rock Judo Club		5	XX			1	5	5
4	SCHAEFFER Tyson	Prince George Judo Club	10		1	XX	10	3	21	2
5	OWENSON Eli	Steveston Judo Club	10		10		XX	2	20	3

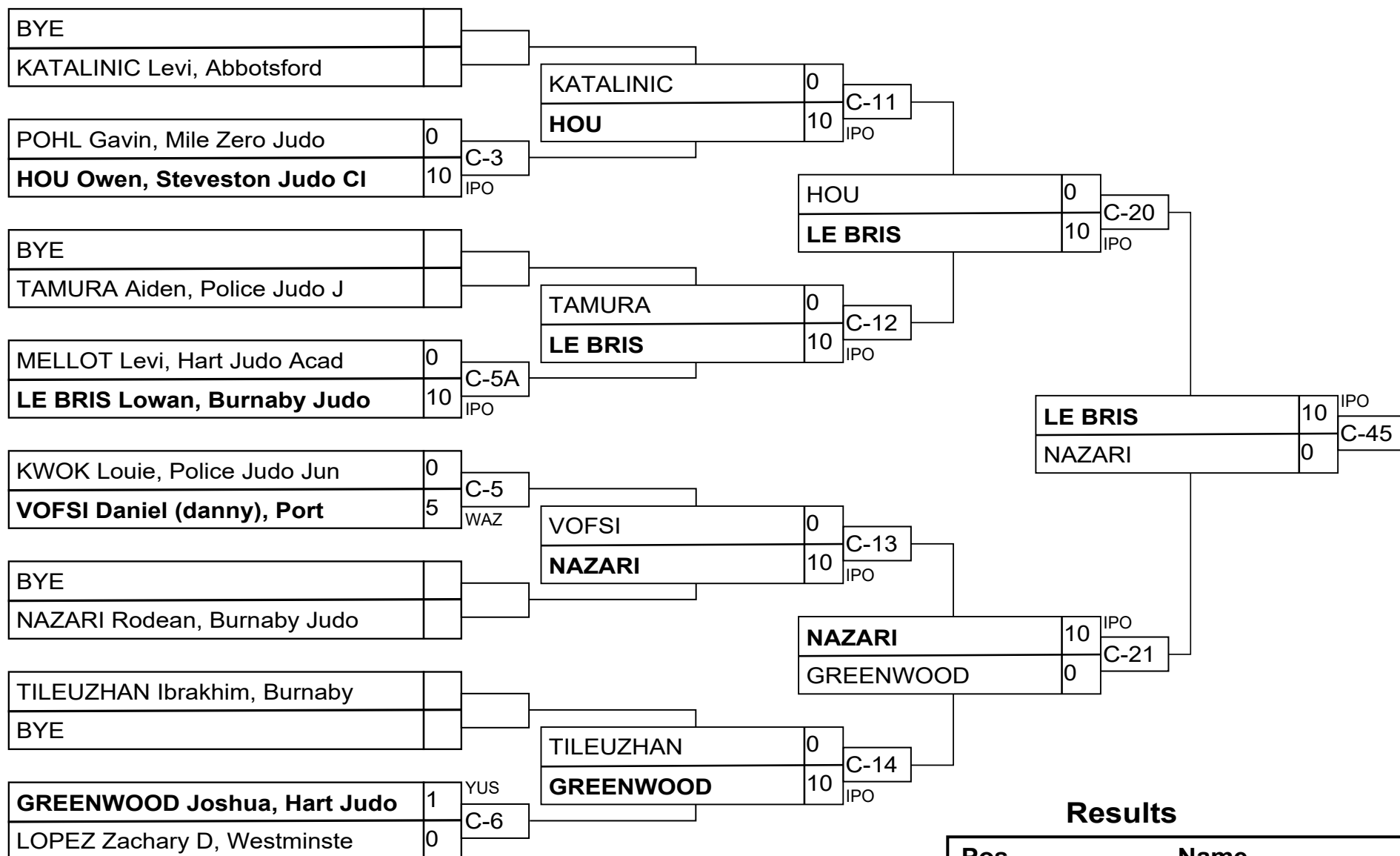
Matches

Match	White			Blue	Result	Time	Code
B-7	SCHAEFFER Tyson	4	5	OWENSON Eli	10 - 0	0:48	IPO
B-8	BAL Arjun	1	2	TO Desmond	0 - 5	2:02	WAZ
B-13	THACHUK Michael	3	4	SCHAEFFER Tyson	0 - 1	3:00	YUS
B-14	BAL Arjun	1	5	OWENSON Eli	0 - 10	1:14	IPO
B-20	TO Desmond	2	3	THACHUK Michael	0 - 5	3:00	WAZ
B-21	BAL Arjun	1	4	SCHAEFFER Tyson	0 - 10	1:54	IPO
B-30	THACHUK Michael	3	5	OWENSON Eli	0 - 10	2:04	IPO
B-31	TO Desmond	2	4	SCHAEFFER Tyson	10 - 0	0:38	IPO
B-41	BAL Arjun	1	3	THACHUK Michael	10 - 0	0:46	IPO
B-42	TO Desmond	2	5	OWENSON Eli	10 - 0	1:00	IPO

Results

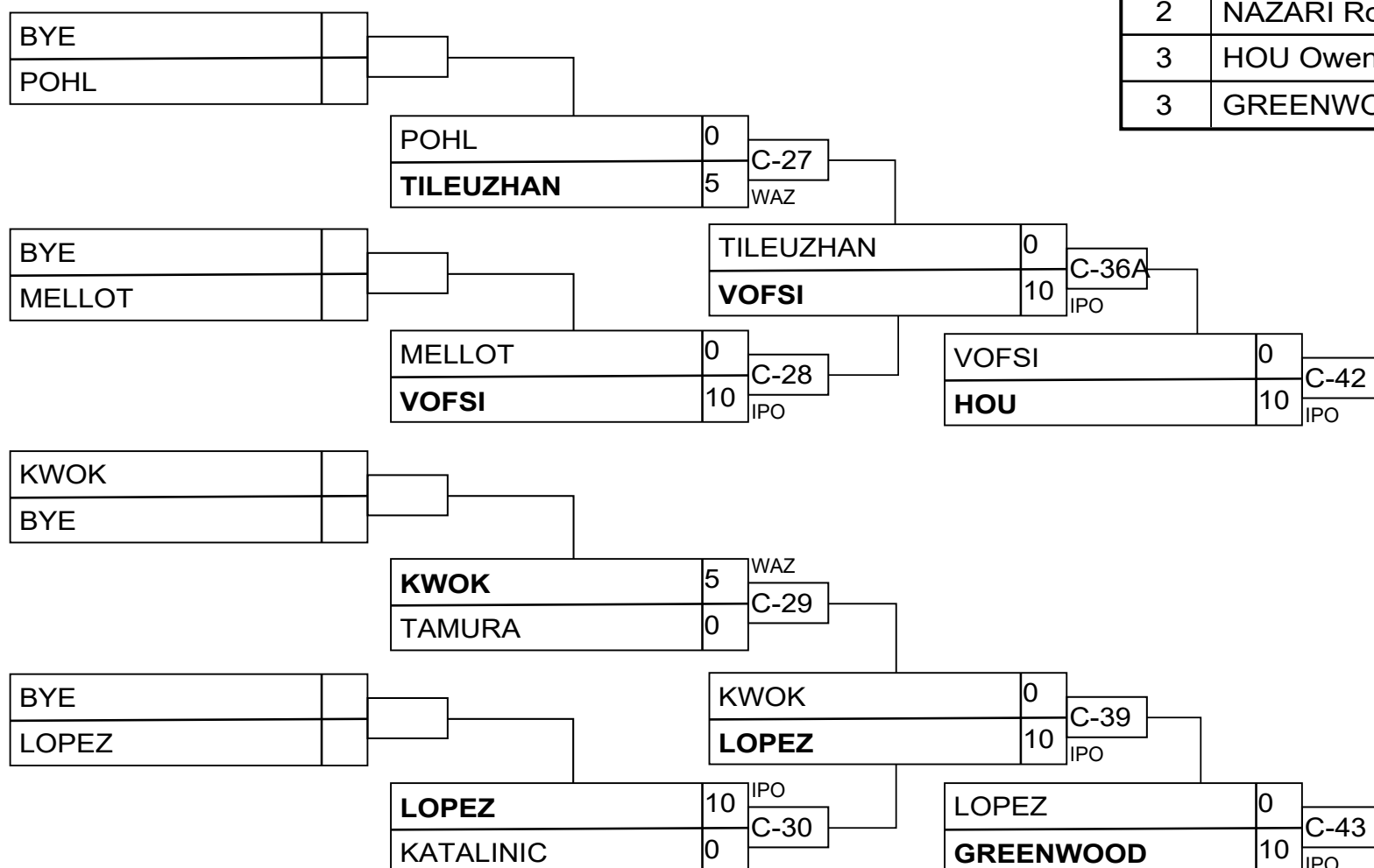
Pos	Name
1	TO Desmond, Nakashima Dojo Judo Club
2	SCHAEFFER Tyson, Prince George Judo Club
3	OWENSON Eli, Steveston Judo Club
3	BAL Arjun, Abbotsford Judo Club
5	THACHUK Michael, White Rock Judo Club

U14 Male -42kg



Results

Pos	Name
1	LE BRIS Lowan, Burnaby J
2	NAZARI Rodean, Burnaby J
3	HOU Owen, Steveston Judo
3	GREENWOOD Joshua, Hart J



U14 Male -46kg

Competitors A

#	Name	Club	1	2	3	Wins	Pts	Pos
1	ELLINGSON Odin	Abbotsford Judo Club	XX	5	10	2	15	1
2	GOLE Charlie	Campbell River Judo Club		XX	10	1	10	2
3	BLACKBURN Connor	Nanaimo Judo Club			XX	0	0	3

Matches A

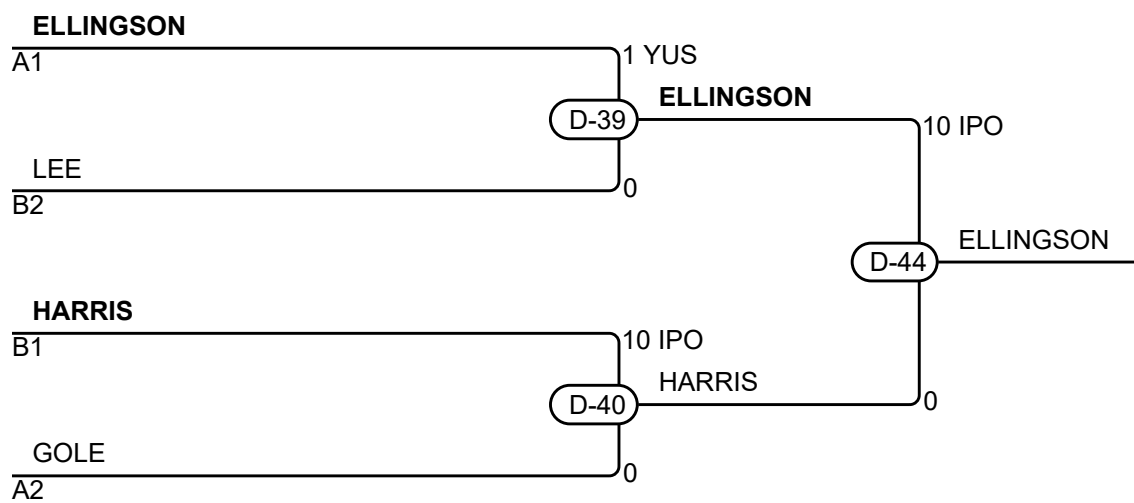
Match	White	Blue	Result	Time	Code
D-9	ELLINGSON Odin	GOLE Charlie	5 - 0	3:00	WAZ
D-20	ELLINGSON Odin	BLACKBURN Connor	10 - 0	2:10	IPO
D-32	GOLE Charlie	BLACKBURN Connor	10 - 0	0:09	IPO

Competitors B

#	Name	Club	4	5	6	Wins	Pts	Pos
4	HARRIS Zachary	Abbotsford Judo Club	XX	10	10	2	20	1
5	DREBOT Kai	Police Judo Junior		XX		0	0	3
6	LEE Jaden	White Rock Judo Club		5	XX	1	5	2

Matches B

Match	White	Blue	Result	Time	Code
D-10	HARRIS Zachary	DREBOT Kai	10 - 0	0:11	IPO
D-21	HARRIS Zachary	LEE Jaden	10 - 0	0:52	IPO
D-33	DREBOT Kai	LEE Jaden	0 - 5	3:00	WAZ



Results

Pos	Name
1	ELLINGSON Odin, Abbotsford Judo Club
2	HARRIS Zachary, Abbotsford Judo Club
3	LEE Jaden, White Rock Judo Club
3	GOLE Charlie, Campbell River Judo Club

U14 Female -52kg

Competitors

#	Name	Club	1	2	1	2	1	2	Wins	Pts	Pos
1	KUNADZE Maya	Kokushikai Judo	XX	10	XX	10	XX		2	20	1
2	DESJARLAIS Abigail	Hart Judo Academy		XX		XX		XX	0	0	2

Matches

Match	White			Blue	Result	Time	Code
D-8	KUNADZE Maya	1	2	DESJARLAIS Abigail	10 - 0	0:12	IPO
D-19	DESJARLAIS Abigail	2	1	KUNADZE Maya	0 - 10	1:26	IPO
D-31	KUNADZE Maya	1	2	DESJARLAIS Abigail			

Results

Pos	Name
1	KUNADZE Maya, Kokushikai Judo
2	DESJARLAIS Abigail, Hart Judo Academy

U14 Female -48kg

Competitors A

#	Name	Club	1	2	3	Wins	Pts	Pos
1	JONES Nevada	Prince George Judo Club	XX	10	10	2	20	1
2	SZASZ Kipling	Nanaimo Judo Club		XX	5	1	5	2
3	VINT-VALSSON Hannah	Abbotsford Judo Club			XX	0	0	3

Matches A

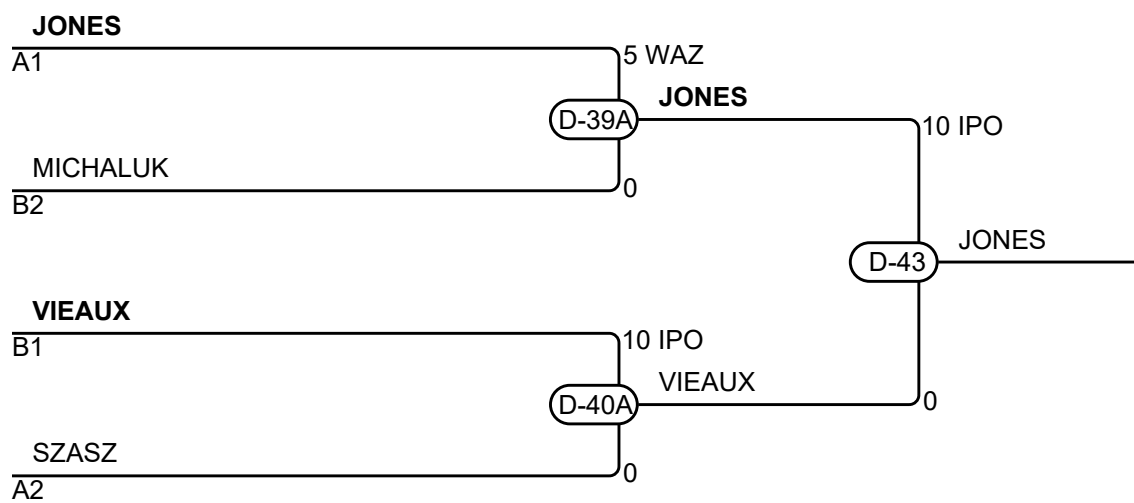
Match	White	Blue	Result	Time	Code
D-5	JONES Nevada 1 2	SZASZ Kipling	10 - 0	0:36	IPO
D-7	JONES Nevada 1 3	VINT-VALSSON Hannah	10 - 0	1:22	IPO
D-17	SZASZ Kipling 2 3	VINT-VALSSON Hannah	5 - 0	3:00	WAZ

Competitors B

#	Name	Club	4	5	6	Wins	Pts	Pos
4	VIEAUX Sayjah	Nanaimo Judo Club	XX	10	1	2	11	1
5	MICHALUK Annika	Shidokai Judo		XX	10	1	10	2
6	HUNG Linya	White Rock Judo Club			XX	0	0	3

Matches B

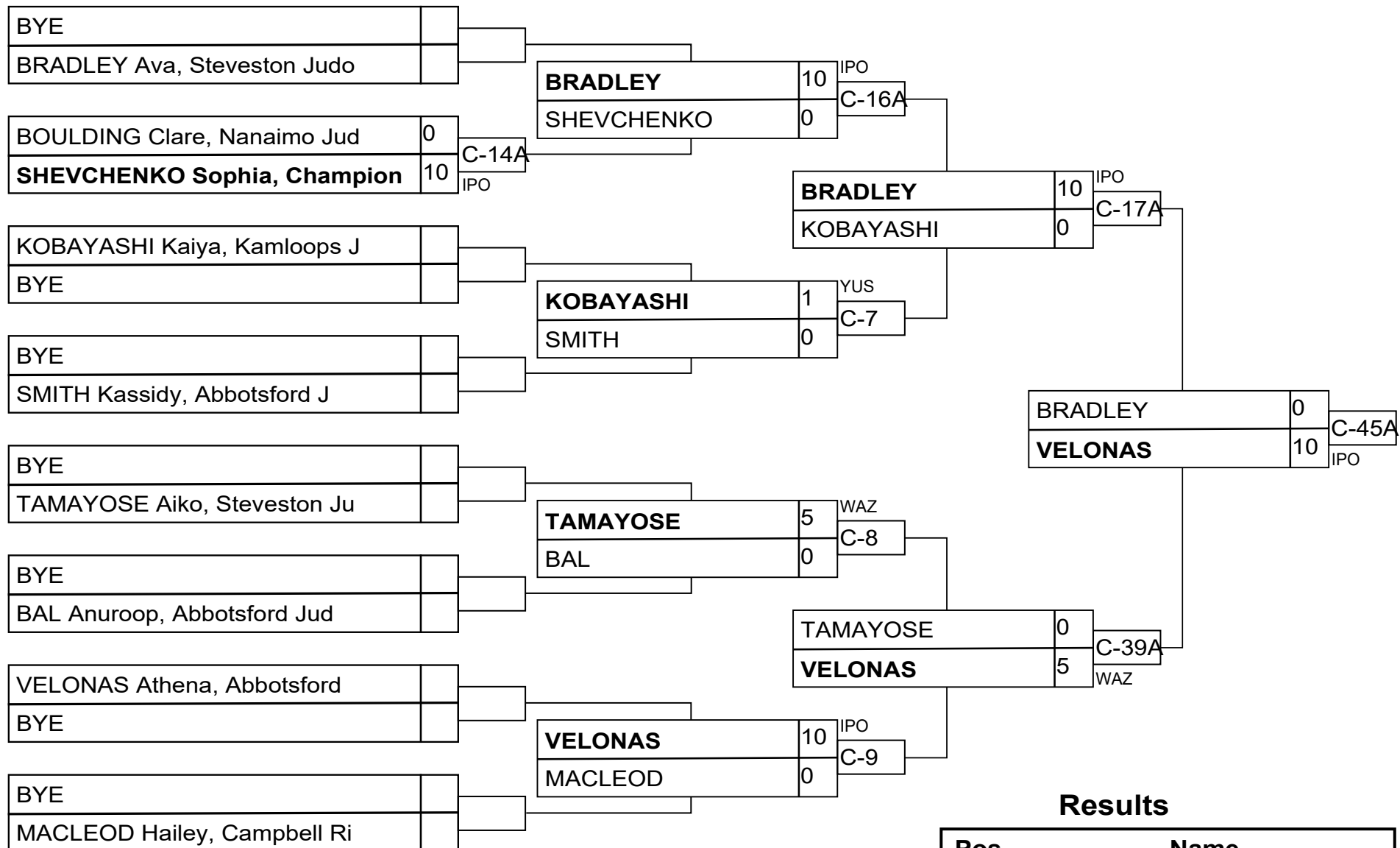
Match	White	Blue	Result	Time	Code
D-6	VIEAUX Sayjah 4 5	MICHALUK Annika	10 - 0	0:16	IPO
D-16	VIEAUX Sayjah 4 6	HUNG Linya	1 - 0	6:00	YUS
D-18	MICHALUK Annika 5 6	HUNG Linya	10 - 0	1:08	IPO



Results

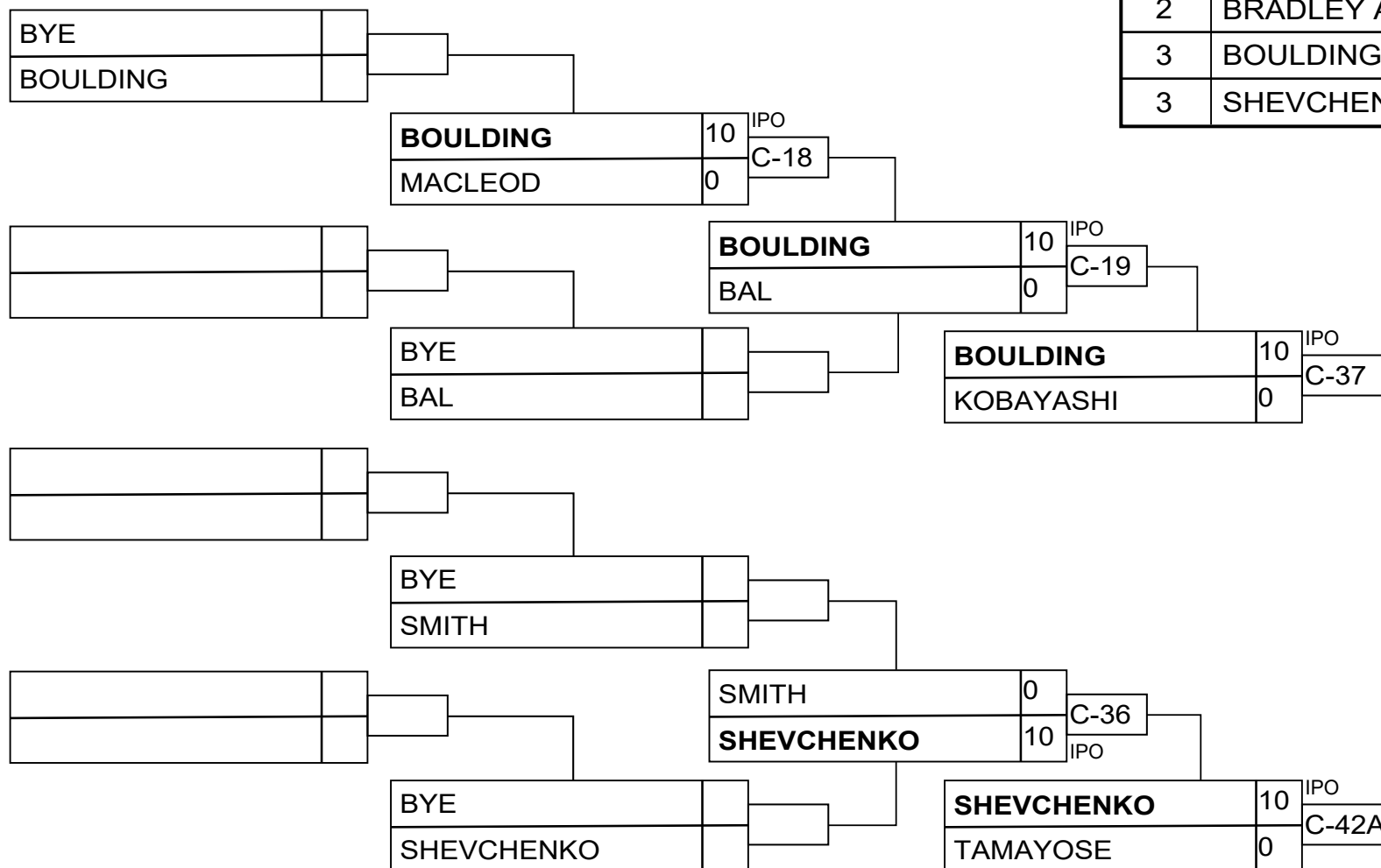
Pos	Name
1	JONES Nevada, Prince George Judo Club
2	VIEAUX Sayjah, Nanaimo Judo Club
3	MICHALUK Annika, Shidokai Judo
3	SZASZ Kipling, Nanaimo Judo Club

U14 Female -44kg



Results

Pos	Name
1	VELONAS Athena, Abbotsfo
2	BRADLEY Ava, Steveston J
3	BOULDING Clare, Nanaimo
3	SHEVCHENKO Sophia, Champ



U12 Male -35kg

Competitors

#	Name	Club	1	2	3	Wins	Pts	Pos
1	AMAR Sahvan	White Rock Judo Club	XX	10		1	10	2
2	KLIMOVICH Richard	Police Judo Junior		XX		0	0	3
3	OLLENBERGER Yuri	Abbotsford Judo Club	10	10	XX	2	20	1

Matches

Match	White			Blue	Result	Time	Code
D-3	AMAR Sahvan	1	2	KLIMOVICH Richard	10 - 0	2:00	IPO
D-14	AMAR Sahvan	1	3	OLLENBERGER Yuri	0 - 10	1:48	IPO
D-26	KLIMOVICH Richard	2	3	OLLENBERGER Yuri	0 - 10	1:49	IPO

Results

Pos	Name
1	OLLENBERGER Yuri, Abbotsford Judo Club
2	AMAR Sahvan, White Rock Judo Club
3	KLIMOVICH Richard, Police Judo Junior

U12 Male -39kg A

Competitors

#	Name	Club	1	2	3	Wins	Pts	Pos
1	GRAY William	Abbotsford Judo Club	XX	1		1	1	3
2	FOSTER Lucas	Abbotsford Judo Club		XX	10	1	10	1
3	WEISBRODT Jack	Lake Country Judo Club	5		XX	1	5	2

Matches

Match	White			Blue	Result	Time	Code
A-15	GRAY William	1	2	FOSTER Lucas	1 - 0	2:00	YUS
A-26	GRAY William	1	3	WEISBRODT Jack	0 - 5	2:00	WAZ
A-33	FOSTER Lucas	2	3	WEISBRODT Jack	10 - 0	2:00	IPO

Results

Pos	Name
1	FOSTER Lucas, Abbotsford Judo Club
2	WEISBRODT Jack, Lake Country Judo Club
3	GRAY William, Abbotsford Judo Club

U12 Male -39kg B

Competitors

#	Name	Club	1	2	3	Wins	Pts	Pos
1	ROTBART Orion	Burnaby Judo Club	XX	5	10	2	15	1
2	CLARK James	Steveston Judo Club		XX	5	1	5	2
3	TOM Maxan	Mile Zero Judo Club			XX	0	0	3

Matches

Match	White			Blue	Result	Time	Code
A-23	ROTBART Orion	1	2	CLARK James	5 - 0	2:00	WAZ
A-30	ROTBART Orion	1	3	TOM Maxan	10 - 0	2:00	IPO
A-41	CLARK James	2	3	TOM Maxan	5 - 0	2:00	WAZ

Results

Pos	Name
1	ROTBART Orion, Burnaby Judo Club
2	CLARK James, Steveston Judo Club
3	TOM Maxan, Mile Zero Judo Club

U12 Male -50kg

Competitors

#	Name	Club	1	2	3	Wins	Pts	Pos
1	WILLIAM Milburn	Westminster Judo Club	XX		10	1	10	2
2	EL-HUSSEINI Ali	Westminster Judo Club	10	XX		1	10	1
3	RASTBIN Rodmun	Champion Judo Club		10	XX	1	10	3

Matches

Match	White			Blue	Result	Time	Code
D-4	WILLIAM Milburn	1	2	EL-HUSSEINI Ali	0 - 10	2:00	IPO
D-15	WILLIAM Milburn	1	3	RASTBIN Rodmun	10 - 0	2:00	IPO
D-27	EL-HUSSEINI Ali	2	3	RASTBIN Rodmun	0 - 10	2:00	IPO

Results

Pos	Name
1	EL-HUSSEINI Ali, Westminster Judo Club
1	WILLIAM Milburn, Westminster Judo Club
1	RASTBIN Rodmun, Champion Judo Club

U14 Female -32kg

Competitors

#	Name	Club	1	2	1	2	1	2	Wins	Pts	Pos
1	VAUDAN Gabrielle	Langley Judo Club	XX		XX		XX		0	0	2
2	COMEAU Jenna	Abbotsford Judo Club	10	XX	10	XX		XX	2	20	1

Matches

Match	White			Blue	Result	Time	Code
C-17	VAUDAN Gabrielle	1	2	COMEAU Jenna	0 - 10	1:02	IPO
C-26	COMEAU Jenna	2	1	VAUDAN Gabrielle	10 - 0	0:28	IPO
C-35	VAUDAN Gabrielle	1	2	COMEAU Jenna			

Results

Pos	Name
1	COMEAU Jenna, Abbotsford Judo Club
2	VAUDAN Gabrielle, Langley Judo Club

U14 Female -40kg

Competitors

#	Name	Club	1	2	1	2	1	2	Wins	Pts	Pos
1	KO Jenna	Burnaby Judo Club	XX		XX	1	XX		1	1	2
2	VAN ZYL Carla	Hart Judo Academy	10	XX		XX	1	XX	2	11	1

Matches

Match	White			Blue	Result	Time	Code
B-17	KO Jenna	1	2	VAN ZYL Carla	0 - 10	2:34	IPO
B-27	VAN ZYL Carla	2	1	KO Jenna	0 - 1	3:00	YUS
B-38	KO Jenna	1	2	VAN ZYL Carla	0 - 1	3:00	YUS

Results

Pos	Name
1	VAN ZYL Carla, Hart Judo Academy
2	KO Jenna, Burnaby Judo Club

U21 Male -90kg

Competitors

#	Name	Club	1	2	3	4	5	Wins	Pts	Pos
1	POLLON Dryden	Kamloops Judo Club	XX			10	10	2	20	2
2	ORDANO Dylan	Steveston Judo Club	10	XX				1	10	5
3	HARRIS Payton	Abbotsford Judo Club	10	10	XX	10	10	4	40	1
4	GAUW Jaden	Burnaby Judo Club		10		XX	10	2	20	3
5	GHANBARI Amirali	Burnaby Judo Club		10			XX	1	10	3

Matches

Match	White			Blue	Result	Time	Code
B-55	GAUW Jaden	4	5	GHANBARI Amirali	10 - 0	3:14	IPO
B-56	POLLON Dryden	1	2	ORDANO Dylan	0 - 10	0:42	IPO
B-57	HARRIS Payton	3	4	GAUW Jaden	10 - 0	0:19	IPO
B-58	POLLON Dryden	1	5	GHANBARI Amirali	10 - 0	1:19	IPO
B-67	ORDANO Dylan	2	3	HARRIS Payton	0 - 10	0:41	IPO
B-68	POLLON Dryden	1	4	GAUW Jaden	10 - 0	1:12	IPO
B-74	HARRIS Payton	3	5	GHANBARI Amirali	10 - 0	0:13	IPO
B-75	ORDANO Dylan	2	4	GAUW Jaden	0 - 10	0:13	IPO
B-84	POLLON Dryden	1	3	HARRIS Payton	0 - 10	0:26	IPO
B-85	ORDANO Dylan	2	5	GHANBARI Amirali	0 - 10	3:42	IPO

Results

Pos	Name
1	HARRIS Payton, Abbotsford Judo Club
2	POLLON Dryden, Kamloops Judo Club
3	GAUW Jaden, Burnaby Judo Club
3	GHANBARI Amirali, Burnaby Judo Club
5	ORDANO Dylan, Steveston Judo Club