

Competitors

#	Name	Grade	Club	1	2	1	2	1	2	Wins	Pts	Pos
1	DANILKOV Ekaterina	Blue	Burnaby Judo Club	XX		XX		XX		0	0	2
2	KAMSTRA Kimiko	Brown	Hart Judo Academy	10	XX	10	XX		XX	2	20	1

Matches

Match	White			Blue	Result	Time	Code
A-9	DANILKOV Ekaterina	1	2	KAMSTRA Kimiko	0 - 10	0:54	IPO
A-14	KAMSTRA Kimiko	2	1	DANILKOV Ekaterina	10 - 0	0:10	IPO
A-21	DANILKOV Ekaterina	1	2	KAMSTRA Kimiko			

Results

Pos	Name
1	KAMSTRA Kimiko, Hart Judo Academy

Competitors

#	Name	Grade	Club	1	2	3	4	Wins	Pts	Pos
1	SHEEHAN Olivia	Blue	Campbell River Judo Club	XX				0	0	4
2	GOTO Tami	Black	Prince George Judo Club	10	XX		10	2	20	1
3	DANILKOV Klavdia	Brown	Burnaby Judo Club	10	10	XX		2	20	2
4	LOLIEVA Rakiia	Blue	Burnaby Judo Club	10		10	XX	2	20	3

Matches

Match	White		Blue		Result	Time	Code
A-7	SHEEHAN Olivia	1	2	GOTO Tami	0 - 10	0:14	IPO
A-8	DANILKOV Klavdia	3	4	LOLIEVA Rakiia	0 - 10	5:49	GSW
A-12	SHEEHAN Olivia	1	3	DANILKOV Klavdia	0 - 10	2:43	IPO
A-13	GOTO Tami	2	4	LOLIEVA Rakiia	10 - 0	3:09	WIP
A-19	SHEEHAN Olivia	1	4	LOLIEVA Rakiia	0 - 10	0:33	WIP
A-20	GOTO Tami	2	3	DANILKOV Klavdia	0 - 10	3:55	IPO

Results

Pos	Name
1	GOTO Tami, Prince George Judo Club
2	DANILKOV Klavdia, Burnaby Judo Club
3	LOLIEVA Rakiia, Burnaby Judo Club

Competitors

#	Name	Grade	Club	1	2	3	Wins	Pts	Pos
1	LOLIEVA Rakiia	Blue	Burnaby Judo Club	XX	5		1	5	3
2	DANILKOV Klavdia	Brown	Burnaby Judo Club		XX	10	1	10	1
3	GOTO Tami	Black	Prince George Judo Club	10		XX	1	10	2

Matches

Match	White			Blue	Result	Time	Code
A-31A	LOLIEVA Rakiia	1	2	DANILKOV Klavdia	5 - 0	4:00	WAZ
A-35A	LOLIEVA Rakiia	1	3	GOTO Tami	0 - 10	1:32	IPO
A-39A	DANILKOV Klavdia	2	3	GOTO Tami	10 - 0	6:53	GSI

Results

Pos	Name
1	DANILKOV Klavdia, Burnaby Judo Club
2	GOTO Tami, Prince George Judo Club
3	LOLIEVA Rakiia, Burnaby Judo Club

Competitors

#	Name	Grade	Club	1	2	3	Wins	Pts	Pos
1	KO Hailey	Blue	Burnaby Judo Club	XX	10		1	10	2
2	CORBETT Brooke	Blue	Hart Judo Academy		XX		0	0	3
3	GREENE Isabella	Blue	Nanaimo Judo Club	10	10	XX	2	20	1

Matches

Match	White			Blue	Result	Time	Code
A-46	KO Hailey	1	2	CORBETT Brooke	10 - 0	1:44	WIP
A-55	KO Hailey	1	3	GREENE Isabella	0 - 10	0:27	IPO
A-62	CORBETT Brooke	2	3	GREENE Isabella	0 - 10	1:35	IPO

Results

Pos	Name
1	GREENE Isabella, Nanaimo Judo Club
2	KO Hailey, Burnaby Judo Club

Competitors

#	Name	Grade	Club	1	2	3	4	Wins	Pts	Pos
1	COMEAU Karissa	Brown	Abbotsford Judo Club	XX			10	1	10	3
2	KURAMOTO Caleigh	Brown	Steveston Judo Club	10	XX	10	10	3	30	1
3	SANZANA Makayla	Blue	Nanaimo Judo Club	10		XX	10	2	20	2
4	MORLAND Estelle	Blue	Nanaimo Judo Club				XX	0	0	4

Matches

Match	White			Blue	Result	Time	Code
A-44	COMEAU Karissa	1	2	KURAMOTO Caleigh	0 - 10	5:07	GSI
A-45	SANZANA Makayla	3	4	MORLAND Estelle	10 - 0	0:35	IPO
A-53	COMEAU Karissa	1	3	SANZANA Makayla	0 - 10	1:34	IPO
A-54	KURAMOTO Caleigh	2	4	MORLAND Estelle	10 - 0	1:10	WIP
A-60	COMEAU Karissa	1	4	MORLAND Estelle	10 - 0	1:21	WIP
A-61	KURAMOTO Caleigh	2	3	SANZANA Makayla	10 - 0	0:12	IPO

Results

Pos	Name
1	KURAMOTO Caleigh, Steveston Judo Club
2	SANZANA Makayla, Nanaimo Judo Club
3	COMEAU Karissa, Abbotsford Judo Club

Competitors

#	Name	Grade	Club	1	2	3	4	Wins	Pts	Pos
1	LUND Tianna	Blue	Campbell River Judo Club	XX				0	0	4
2	HARRIS Isabelle	Black	Abbotsford Judo Club	10	XX	10	10	3	30	1
3	WARNER Jordann	Brown	Campbell River Judo Club	10		XX	10	2	20	2
4	MCCORKELL Loveena	Blue	Mile Zero Judo Club	10			XX	1	10	3

Matches

Match	White			Blue	Result	Time	Code
A-71	LUND Tianna	1	2	HARRIS Isabelle	0 - 10	0:19	IPO
A-72	WARNER Jordann	3	4	MCCORKELL Loveena	10 - 0	1:05	WIP
A-77	LUND Tianna	1	3	WARNER Jordann	0 - 10	2:06	WIP
A-78	HARRIS Isabelle	2	4	MCCORKELL Loveena	10 - 0	1:13	IPO
A-83	LUND Tianna	1	4	MCCORKELL Loveena	0 - 10	2:07	WIP
A-84	HARRIS Isabelle	2	3	WARNER Jordann	10 - 0	1:38	WIP

Results

Pos	Name
1	HARRIS Isabelle, Abbotsford Judo Club
2	WARNER Jordann, Campbell River Judo Club
3	MCCORKELL Loveena, Mile Zero Judo Club

Competitors

#	Name	Grade	Club	1	2	3	Wins	Pts	Pos
1	JACOBS Yana	Green	Campbell River Judo Club	XX			0	0	3
2	CALDER Mira	Blue	Kokushikai Judo	10	XX		1	10	2
3	BOOTH Brae	Brown	Creston Judo Club	10	10	XX	2	20	1

Matches

Match	White			Blue	Result	Time	Code
A-68	JACOBS Yana	1	2	CALDER Mira	0 - 10	1:21	IPO
A-74	JACOBS Yana	1	3	BOOTH Brae	0 - 10	0:22	IPO
A-80	CALDER Mira	2	3	BOOTH Brae	0 - 10	1:28	WIP

Results

Pos	Name
1	BOOTH Brae, Creston Judo Club
2	CALDER Mira, Kokushikai Judo

Competitors

#	Name	Grade	Club	1	2	Wins	Pts	Pos
1	CALDER Mira	Blue	Kokushikai Judo	XX		0	0	2
2	BOOTH Brae	Brown	Creston Judo Club	10	XX	1	10	1

Matches

Match	White	Blue	Result	Time	Code
1	CALDER Mira	1 2 BOOTH Brae	0 - 10	0:00	WIP

Results

Pos	Name
1	BOOTH Brae, Creston Judo Club

Competitors

#	Name	Grade	Club	1	Wins	Pts	Pos
1	WEBB Dakota	Green	Kokushikai Judo	XX	0	0	1

Matches

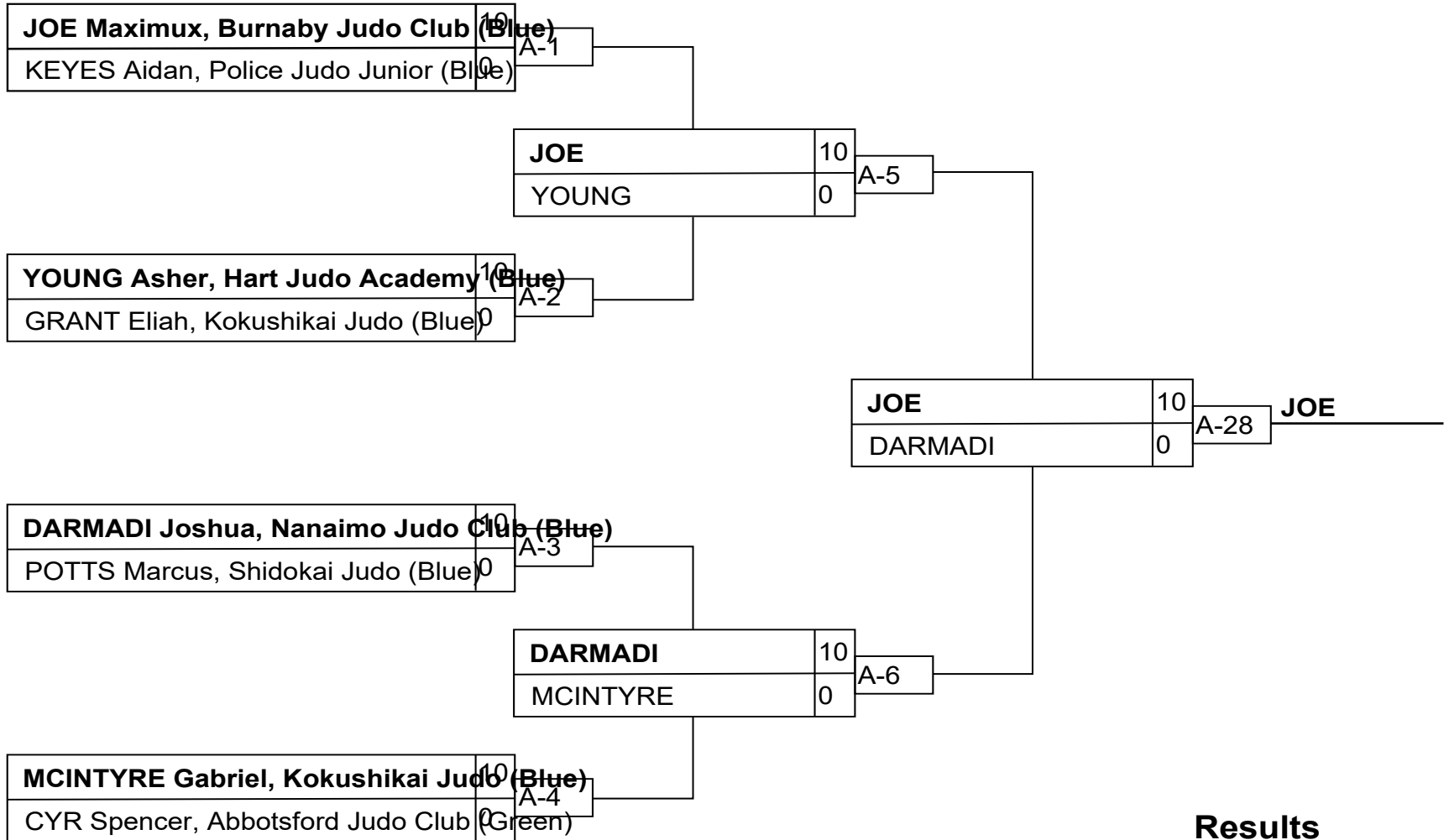
Match	White	Blue	Result	Time	Code
-------	-------	------	--------	------	------

Results

Pos	Name

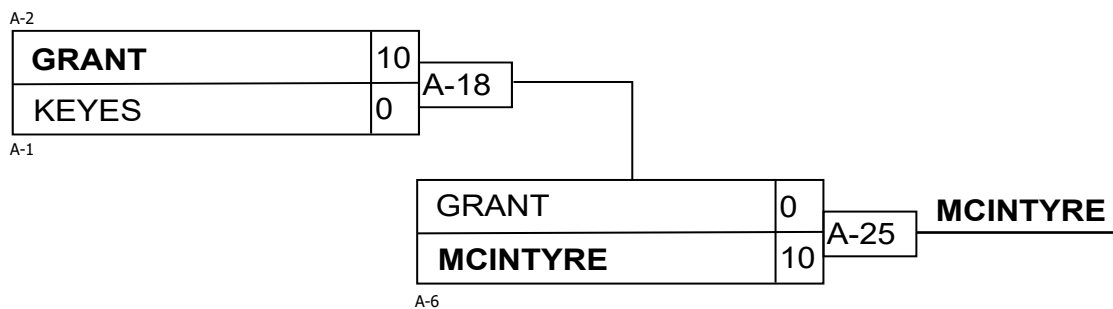
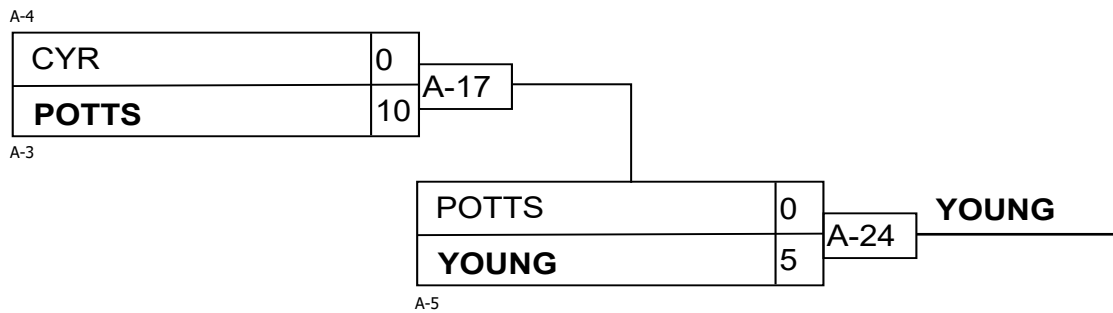


Male -50kg



Results

Pos	Name
1	JOE Maximux, Burnaby Judo Club (Blue)
2	DARMADI Joshua, Nanaimo Judo Club (Blue)
3	YOUNG Asher, Hart Judo Academy (Blue)
3	MCINTYRE Gabriel, Kokushikai Judo Club (Blue)



Competitors A

#	Name	Grade	Club	1	2	3	Wins	Pts	Pos
1	PATERSON Gabriel	Blue	Hart Judo Academy	XX			0	0	3
2	GANNAN Raphael	Blue	Burnaby Judo Club	10	XX	10	2	20	1
3	NORQUAY Graham	Brown	Invermere Judo Club	10		XX	1	10	2

Matches A

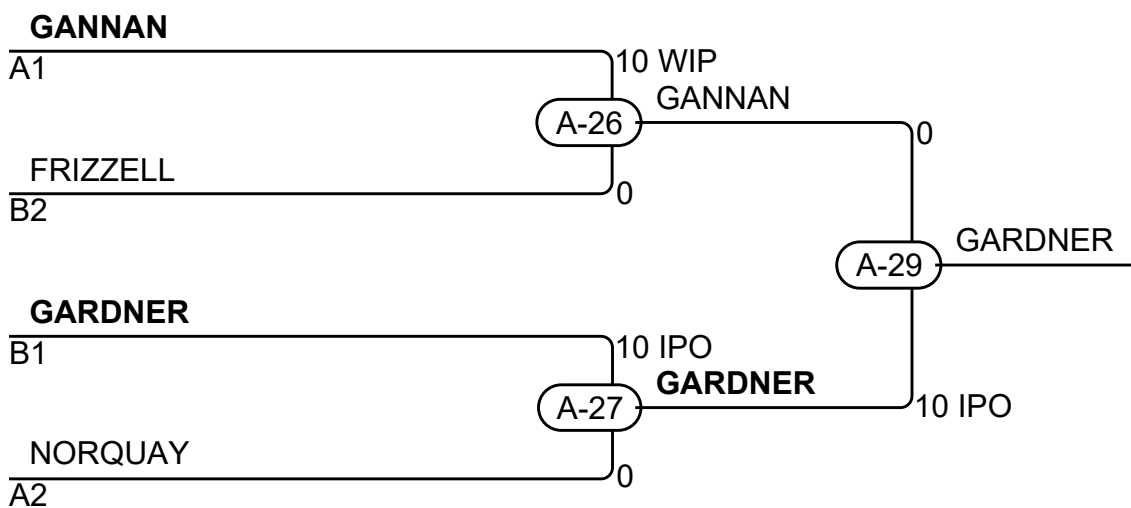
Match	White	Blue	Result	Time	Code
A-10	PATERSON Gabriel	1 2 GANNAN Raphael	0 - 10	2:19	WIP
A-15	PATERSON Gabriel	1 3 NORQUAY Graham	0 - 10	0:17	IPO
A-22	GANNAN Raphael	2 3 NORQUAY Graham	10 - 0	3:02	WIP

Competitors B

#	Name	Grade	Club	4	5	6	Wins	Pts	Pos
4	FRIZZELL Ioan	Brown	Hart Judo Academy	XX		5	1	5	2
5	GARDNER Korin	Black	Nanaimo Judo Club	10	XX	10	2	20	1
6	ORDANO Alex	Blue	Steveston Judo Club			XX	0	0	3

Matches B

Match	White	Blue	Result	Time	Code
A-11	FRIZZELL Ioan	4 5 GARDNER Korin	0 - 10	1:18	WIP
A-16	FRIZZELL Ioan	4 6 ORDANO Alex	5 - 0	4:00	WAZ
A-23	GARDNER Korin	5 6 ORDANO Alex	10 - 0	0:20	IPO



Results

Pos	Name
1	GARDNER Korin, Nanaimo Judo Club
2	GANNAN Raphael, Burnaby Judo Club
3	FRIZZELL Ioan, Hart Judo Academy
3	NORQUAY Graham, Invermere Judo Club

Competitors

#	Name	Grade	Club	1	2	3	4	5	Wins	Pts	Pos
1	PLUMTREE Nicholas	Blue	Aberdeen Judo Academy	XX			10		1	10	4
2	YOUNG Maxwell	Black	Hart Judo Academy	10	XX	10	10		3	30	2
3	KUYVENHOVEN Joshua	Blue	Kokushikai Judo	10		XX	10		2	20	3
4	GREENWOOD Aydin	Green	Hart Judo Academy				XX		0	0	5
5	HENRY Anthony	Brown	Campbell River Judo Club	10	10	10	10	XX	4	40	1

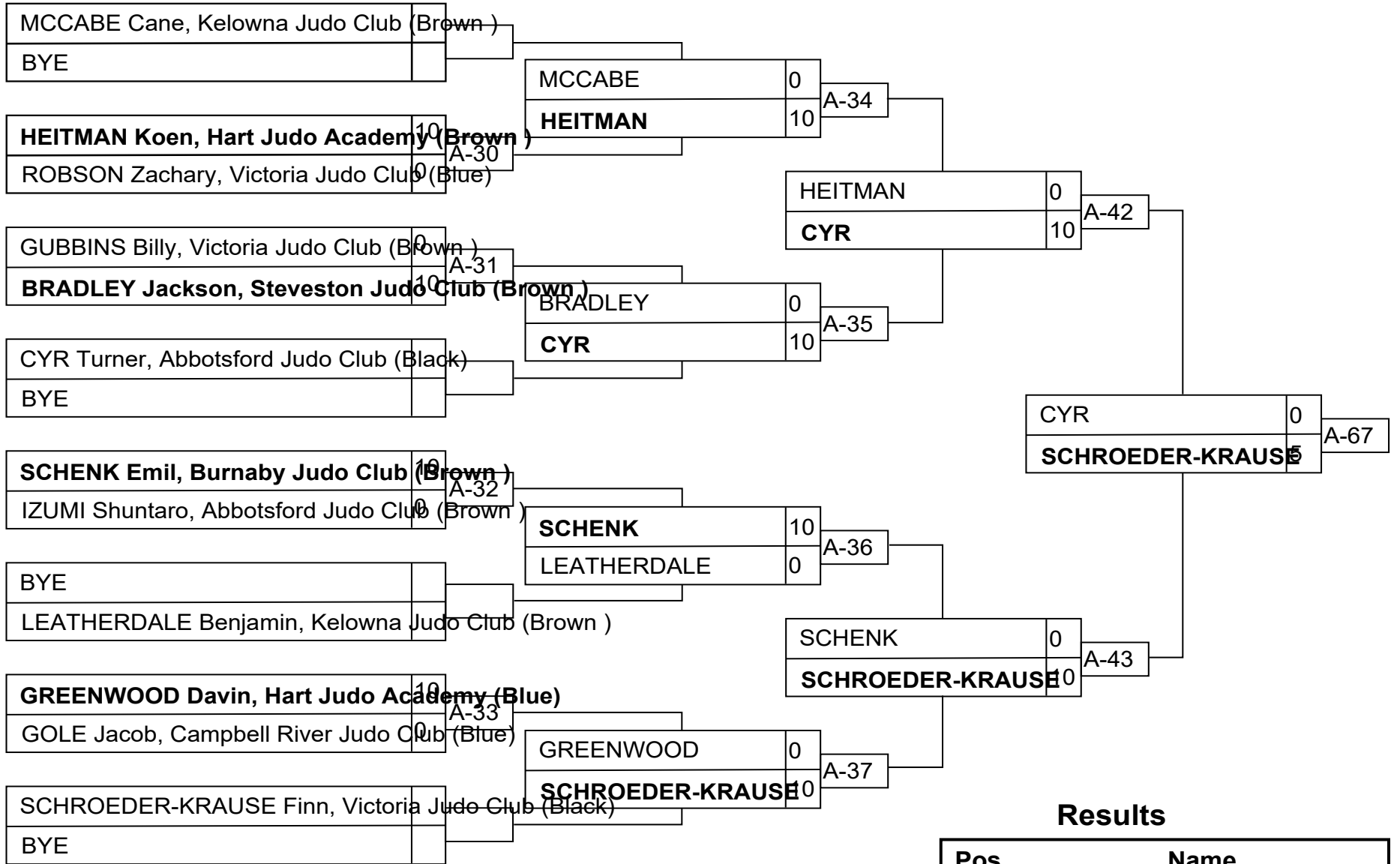
Matches

Match	White			Blue	Result	Time	Code
A-38	GREENWOOD Aydin	4	5	HENRY Anthony	0 - 10	0:13	IPO
A-39	PLUMTREE Nicholas	1	2	YOUNG Maxwell	0 - 10	0:19	IPO
A-40	KUYVENHOVEN Joshua	3	4	GREENWOOD Aydin	10 - 0	0:42	IPO
A-41	PLUMTREE Nicholas	1	5	HENRY Anthony	0 - 10	0:31	IPO
A-47	YOUNG Maxwell	2	3	KUYVENHOVEN Joshua	10 - 0	0:53	IPO
A-48	PLUMTREE Nicholas	1	4	GREENWOOD Aydin	10 - 0	0:07	IPO
A-56	KUYVENHOVEN Joshua	3	5	HENRY Anthony	0 - 10	1:18	IPO
A-57	YOUNG Maxwell	2	4	GREENWOOD Aydin	10 - 0	0:53	IPO
A-63	PLUMTREE Nicholas	1	3	KUYVENHOVEN Joshua	0 - 10	0:26	IPO
A-64	YOUNG Maxwell	2	5	HENRY Anthony	0 - 10	2:50	WIP

Results

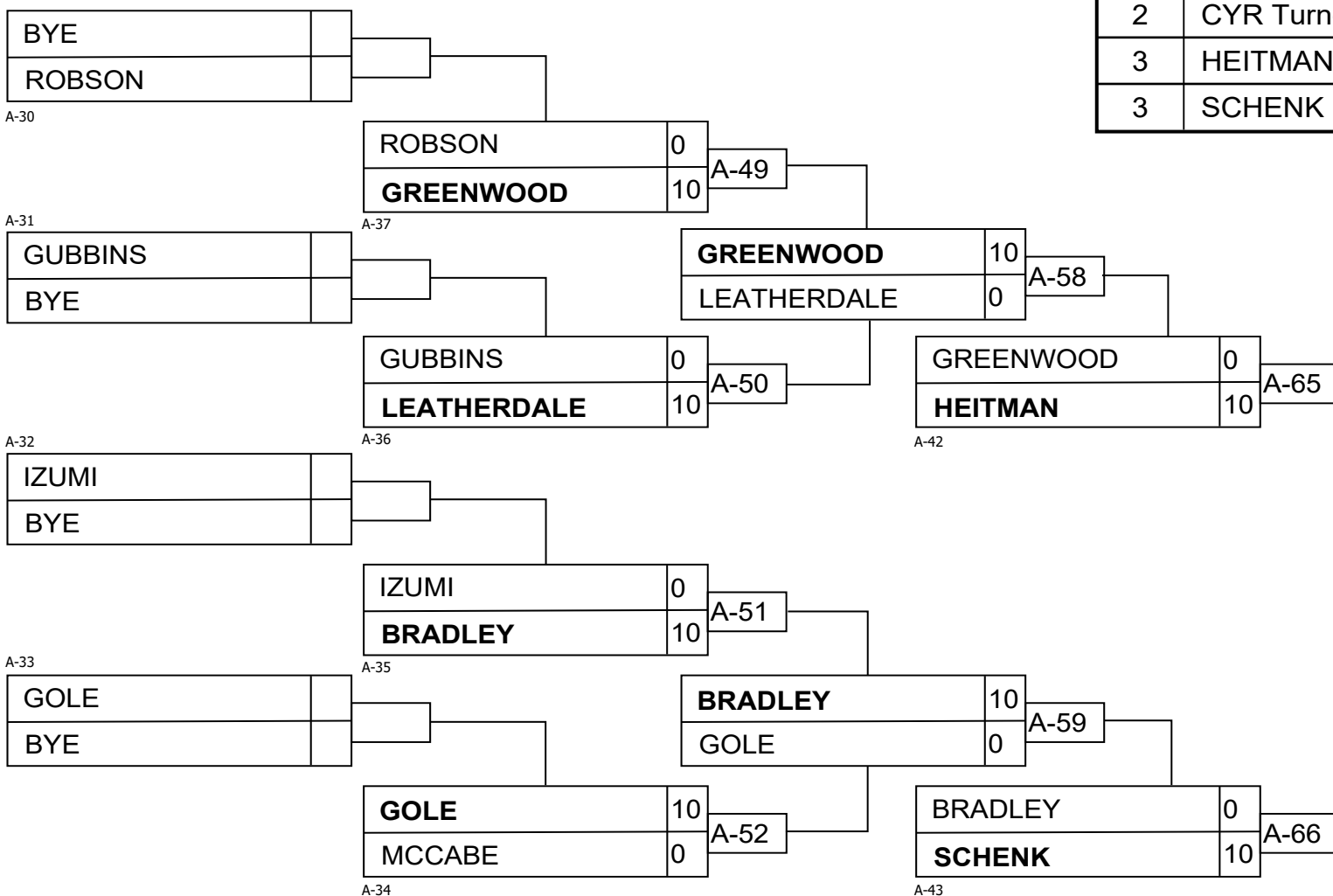
Pos	Name
1	HENRY Anthony, Campbell River Judo Club
2	YOUNG Maxwell, Hart Judo Academy
3	KUYVENHOVEN Joshua, Kokushikai Judo
4	PLUMTREE Nicholas, Aberdeen Judo Academy

Male -66kg



Results

Pos	Name
1	SCHROEDER-KRAUSE Finn, Victoria Judo Club (Black)
2	CYR Turner, Abbotsford Judo Club (Black)
3	HEITMAN Koen, Hart Judo Academy (Brown)
3	SCHENK Emil, Burnaby Judo Club (Brown)



Competitors A

#	Name	Grade	Club	1	2	3	Wins	Pts	Pos
1	GILL Aytun	Brown	Steveston Judo Club	XX			0	0	3
2	RICHARDSON Kai	Green	Unattached	10	XX	10	2	20	1
3	PETROVIC Nikola	Blue	Burnaby Judo Club	10		XX	1	10	2

Matches A

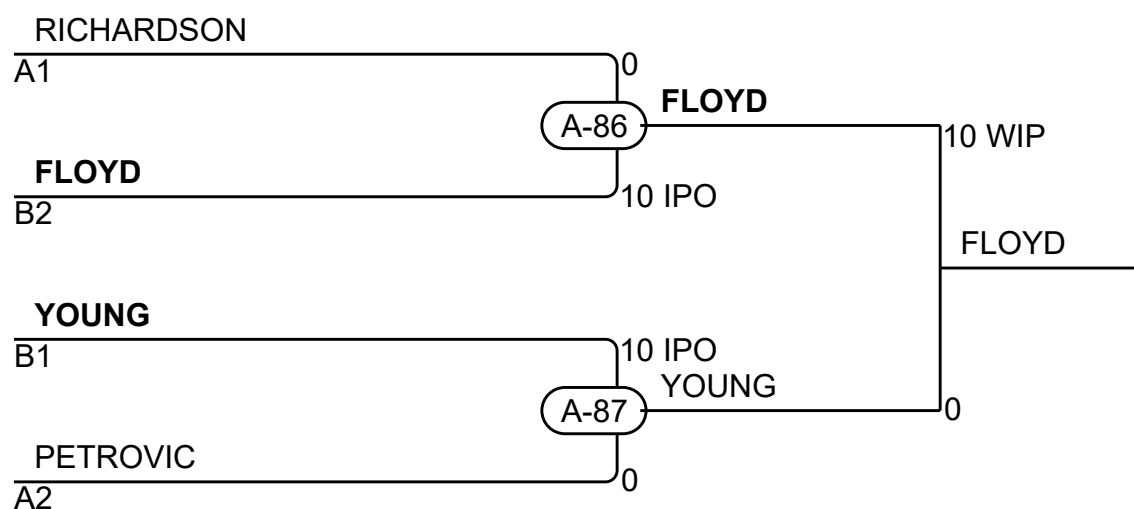
Match	White	Blue	Result	Time	Code
A-69	GILL Aytun 1 2	RICHARDSON Kai	0 - 10	0:01	IPO
A-75	GILL Aytun 1 3	PETROVIC Nikola	0 - 10	1:49	IPO
A-81	RICHARDSON Kai 2 3	PETROVIC Nikola	10 - 0	0:50	IPO

Competitors B

#	Name	Grade	Club	4	5	6	Wins	Pts	Pos
4	GAUW Jaden	Blue	Burnaby Judo Club	XX			0	0	3
5	FLOYD Gunner	Brown	Abbotsford Judo Club	10	XX		1	10	2
6	YOUNG Lochlan	Brown	Hart Judo Academy	10	10	XX	2	20	1

Matches B

Match	White	Blue	Result	Time	Code
A-70	GAUW Jaden 4 5	FLOYD Gunner	0 - 10	0:34	IPO
A-76	GAUW Jaden 4 6	YOUNG Lochlan	0 - 10	1:04	IPO
A-82	FLOYD Gunner 5 6	YOUNG Lochlan	0 - 10	0:24	IPO



Results

Pos	Name
1	FLOYD Gunner, Abbotsford Judo Club
2	YOUNG Lochlan, Hart Judo Academy
3	RICHARDSON Kai, Unattached
3	PETROVIC Nikola, Burnaby Judo Club

Competitors

#	Name	Grade	Club	1	2	1	2	1	2	Wins	Pts	Pos
1	HARRIS Payton	Black	Abbotsford Judo Club	XX	10	XX	10	XX		2	20	1
2	ORDANO Dylan	Blue	Steveston Judo Club		XX		XX		XX	0	0	2

Matches

Match	White			Blue	Result	Time	Code
A-73	HARRIS Payton	1	2	ORDANO Dylan	10 - 0	0:15	IPO
A-79	ORDANO Dylan	2	1	HARRIS Payton	0 - 10	0:25	WIP
A-85	HARRIS Payton	1	2	ORDANO Dylan			

Results

Pos	Name
1	HARRIS Payton, Abbotsford Judo Club

Competitors

#	Name	Grade	Club	1	Wins	Pts	Pos
1	RYDER Ian	Black	Steveston Judo Club	XX	0	0	1

Matches

Match	White	Blue	Result	Time	Code
-------	-------	------	--------	------	------

Results

Pos	Name