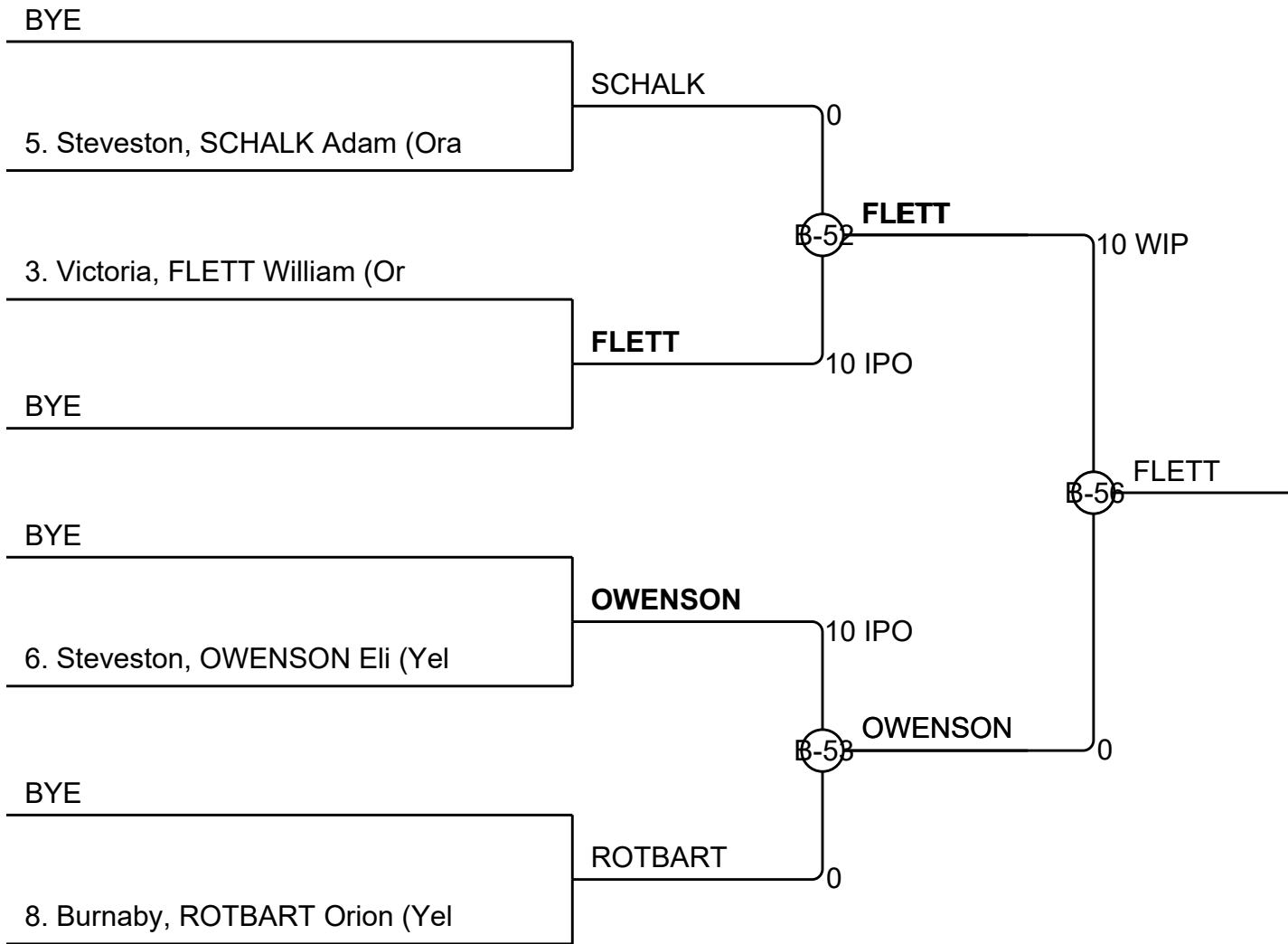


# U14-38Final



## Results

Pos	Name
1	Victoria, FLETT William
2	Steveston, OWENSON Eli
3	Steveston, SCHALK Adam
3	Burnaby, ROTBART Orion

# U14 -38kgTie

## Competitors

#	Name	Grade	Club	1	2	3	Wins	Pts	Pos
1	OWENSON Eli	Yellow-Orange	Steveston	XX	10	10	2	20	1
2	FLETT William	Orange	Victoria		XX	10	1	10	2
3	SCHAEFFER Tyson	Green	Prince George			XX	0	0	3

## Matches

Match	White			Blue	Result	Time	Code
C-27	OWENSON Eli	1	2	FLETT William	10 - 0	2:26	IPO
C-31	OWENSON Eli	1	3	SCHAEFFER Tyson	10 - 0	2:39	IPO
C-36	FLETT William	2	3	SCHAEFFER Tyson	10 - 0	3:00	IPO

## Results

Pos	Name
1	Steveston, OWENSON Eli
2	Victoria, FLETT William

# U14 Female -32kg

## Competitors

#	Name	Grade	Club	1	2	1	2	1	2	Wins	Pts	Pos
1	TURNER-YAMADA Kianna	Orange	Kamloops	XX		XX		XX		0	0	2
2	ANTOSH Megan	Yellow-Orange	Port Coquitlam	10	XX	10	XX		XX	2	20	1

## Matches

Match	White			Blue	Result	Time	Code
A-1	TURNER-YAMADA Kianna	1	2	ANTOSH Megan	0 - 10	0:38	IPO
A-2	ANTOSH Megan	2	1	TURNER-YAMADA Kianna	10 - 0	1:12	WIP
A-28	TURNER-YAMADA Kianna	1	2	ANTOSH Megan			

## Results

Pos	Name
1	Port Coquitlam, ANTOSH Megan

# U14 Female -36kg

## Competitors

#	Name	Grade	Club	1	2	3	Wins	Pts	Pos
1	GILCHRIST Lily	Yellow	Westsyde	XX	10		1	10	1
2	CONNOLLY Claire	Yellow	Westsyde		XX	5	1	5	2
3	GROOTEN Maegan	Yellow-Orange	Hart	5		XX	1	5	3

## Matches

Match	White			Blue	Result	Time	Code
A-11	<b>GILCHRIST Lily</b>	1	2	CONNOLLY Claire	10 - 0	0:36	WIP
A-21	GILCHRIST Lily	1	3	<b>GROOTEN Maegan</b>	0 - 5	3:00	WAZ
A-32	<b>CONNOLLY Claire</b>	2	3	GROOTEN Maegan	5 - 0	3:00	WAZ

## Results

Pos	Name
1	Westsyde, GILCHRIST Lily
2	Westsyde, CONNOLLY Claire
3	Hart, GROOTEN Maegan

# U14 Female -40kg

## Competitors A

#	Name	Grade	Club	1	2	3	4	Wins	Pts	Pos
1	KO Jenna	Green-Blue	Burnaby	XX	10	10	10	3	30	1
2	SMITH Kassidy	Orange	Abbotsford		XX	10		1	10	3
3	VAN ZYL Carla	Green	Hart			XX		0	0	4
4	WONG Marisa	Orange-Green	Police Jr.		5	10	XX	2	15	2

## Matches A

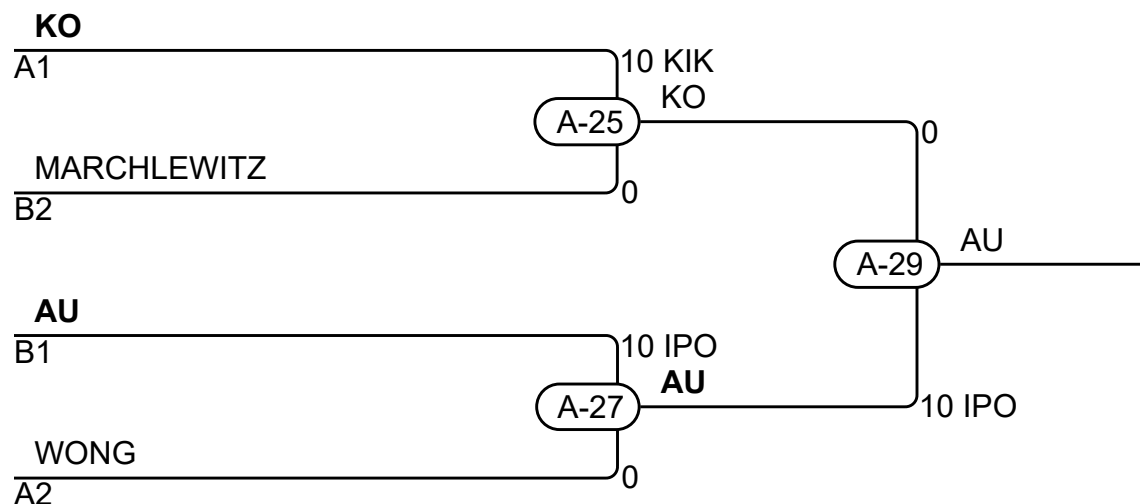
Match	White	Blue	Result	Time	Code
A-3	<b>KO Jenna</b>	1 2 SMITH Kassidy	10 - 0	0:51	IPO
A-5	VAN ZYL Carla	3 4 <b>WONG Marisa</b>	0 - 10	1:42	IPO
A-9	<b>KO Jenna</b>	1 3 VAN ZYL Carla	10 - 0	1:00	IPO
A-13	SMITH Kassidy	2 4 <b>WONG Marisa</b>	0 - 5	3:00	WAZ
A-17	<b>KO Jenna</b>	1 4 WONG Marisa	10 - 0	3:00	IPO
A-19	<b>SMITH Kassidy</b>	2 3 VAN ZYL Carla	10 - 0	3:00	IPO

## Competitors B

#	Name	Grade	Club	5	6	7	Wins	Pts	Pos
5	AU Leanna	Green	Burnaby	XX	10	10	2	20	1
6	MARCHLEWITZ Maya	Yellow-Orange	Hart		XX	10	1	10	2
7	MACLEOD Hailey	Orange	Campbell River			XX	0	0	3

## Matches B

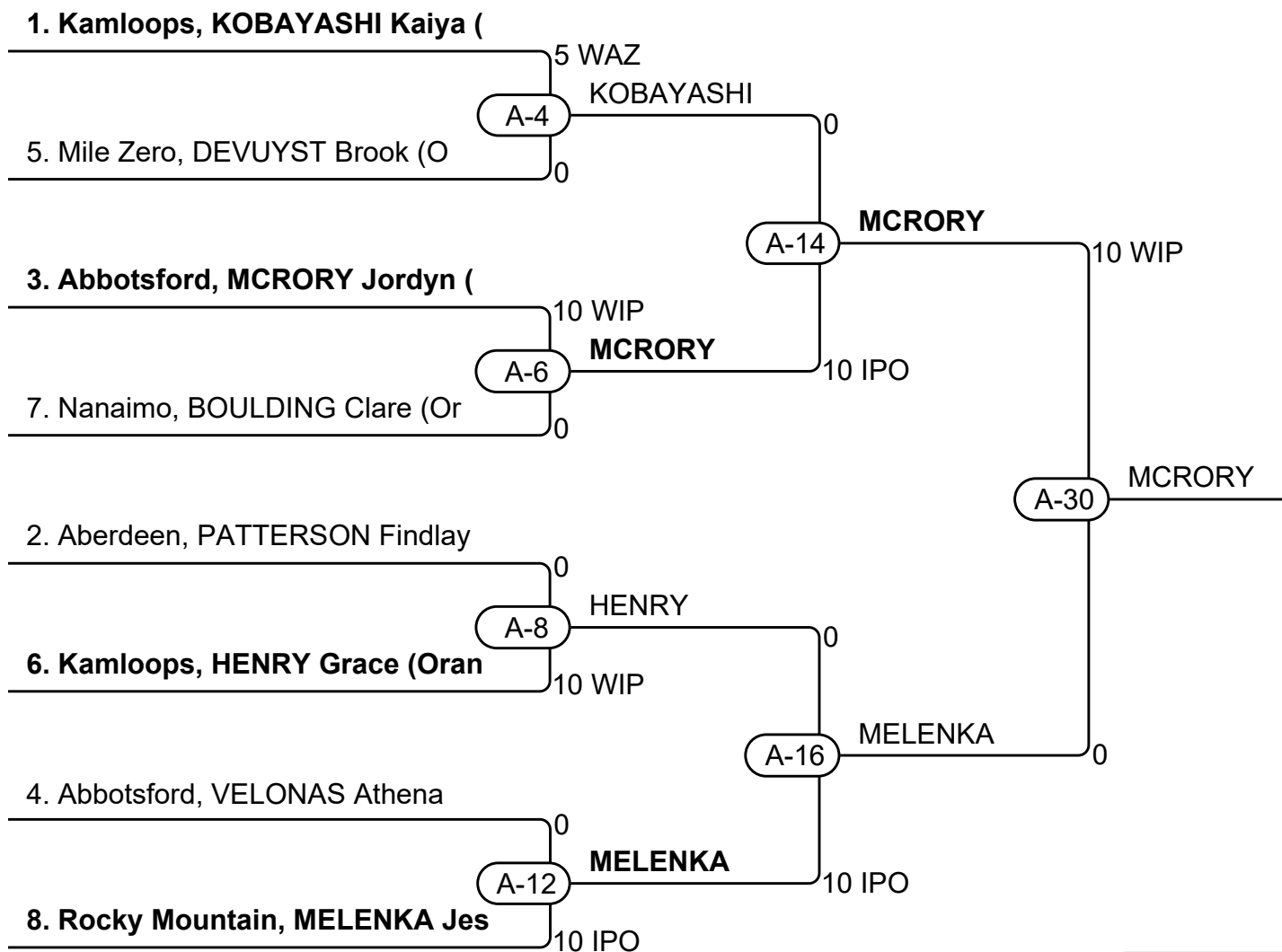
Match	White	Blue	Result	Time	Code
A-7	<b>AU Leanna</b>	5 6 MARCHLEWITZ Maya	10 - 0	0:43	IPO
A-15	<b>AU Leanna</b>	5 7 MACLEOD Hailey	10 - 0	0:53	IPO
A-23	<b>MARCHLEWITZ Maya</b>	6 7 MACLEOD Hailey	10 - 0	1:10	WIP



## Results

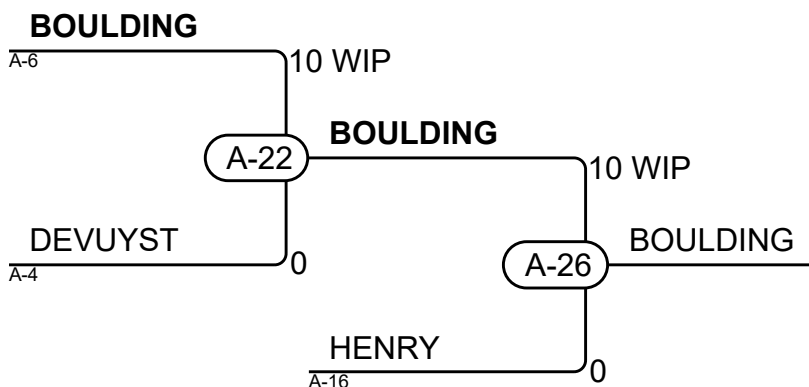
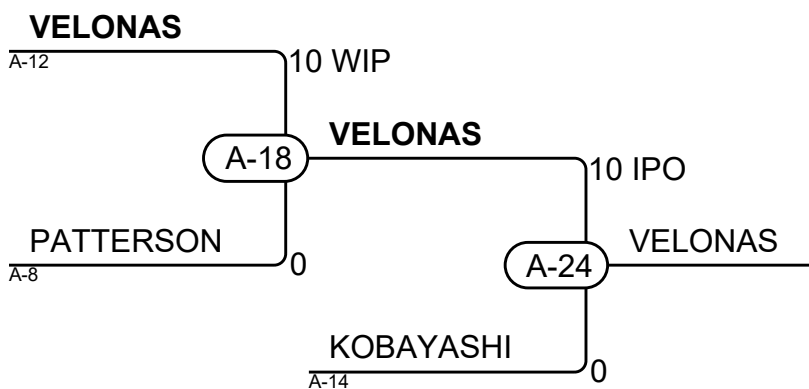
Pos	Name
1	Burnaby, AU Leanna
2	Burnaby, KO Jenna
3	Hart, MARCHLEWITZ Maya
3	Police Jr., WONG Marisa

# U14 Female -44kg



## Results

Pos	Name
1	Abbotsford, MCRORY Jordyn
2	Rocky Mountain, MELENKA Je
3	Abbotsford, VELONAS Athena
3	Nanaimo, BOULDING Clare



# U14 Female -48kg

## Competitors A

#	Name	Grade	Club	1	2	3	4	Wins	Pts	Pos
1	TAMAYOSE Aiko	Orange	Steveston	XX				0	0	4
2	JONES Nevada	Green	Prince George	5	XX	10		2	15	2
3	SZASZ Kipling	Green	Nanaimo	5		XX		1	5	3
4	SHEVCHENKO Sophia	Green	Champion	10	10	10	XX	3	30	1

## Matches A

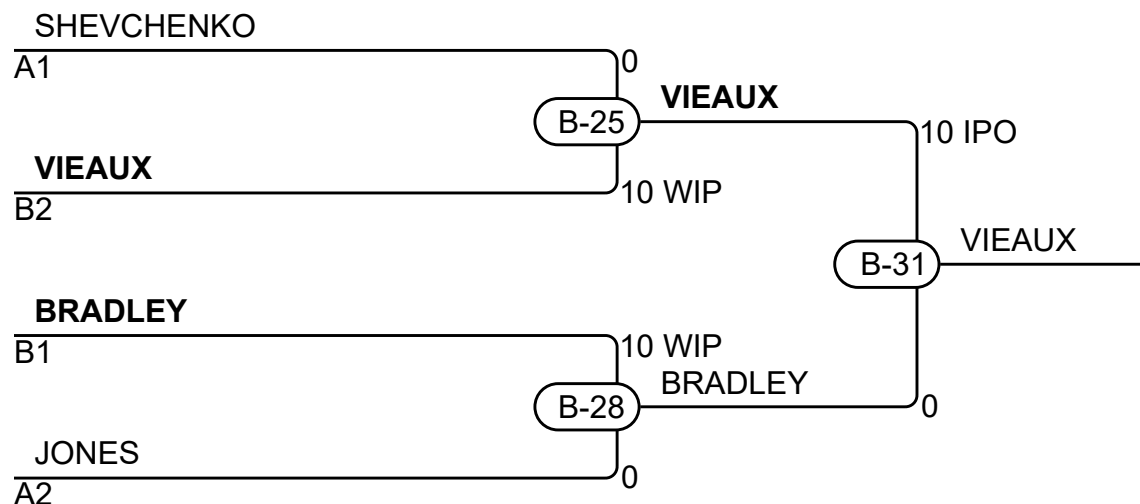
Match	White	Blue	Result	Time	Code
B-1	TAMAYOSE Aiko 1 2	JONES Nevada	0 - 5	3:00	WAZ
B-2	SZASZ Kipling 3 4	SHEVCHENKO Sophia	0 - 10	1:55	WIP
B-10	TAMAYOSE Aiko 1 3	SZASZ Kipling	0 - 5	3:00	WAZ
B-12	JONES Nevada 2 4	SHEVCHENKO Sophia	0 - 10	2:02	IPO
B-17	TAMAYOSE Aiko 1 4	SHEVCHENKO Sophia	0 - 10	0:00	KIK
B-20	JONES Nevada 2 3	SZASZ Kipling	10 - 0	1:00	WIP

## Competitors B

#	Name	Grade	Club	5	6	7	Wins	Pts	Pos
5	VINT-VALSSON Hannah Grace	Orange	Abbotsford	XX			0	0	3
6	BRADLEY Ava	Orange	Steveston	10	XX	10	2	20	1
7	VIEAUX Sayjah	Green	Nanaimo	10		XX	1	10	2

## Matches B

Match	White	Blue	Result	Time	Code
B-7	VINT-VALSSON Hannah Grace 5 6	BRADLEY Ava	0 - 10	0:44	WIP
B-15	VINT-VALSSON Hannah Grace 5 7	VIEAUX Sayjah	0 - 10	0:17	WIP
B-22	BRADLEY Ava 6 7	VIEAUX Sayjah	10 - 0	0:35	WIP



## Results

Pos	Name
1	Nanaimo, VIEAUX Sayjah
2	Steveston, BRADLEY Ava
3	Champion, SHEVCHENKO Sophia
3	Prince George, JONES Nevada

# U14 Female -52kg

## Competitors

#	Name	Grade	Club	1	2	3	4	5	Wins	Pts	Pos
1	DEN OTTER Maya	Orange-Green	Invermere	XX	5		10		2	15	3
2	BACHINSKI Rhianna	Orange	Prince George		XX				0	0	5
3	KUNADZE Maya	Green	Kokushikai	10	10	XX	10	10	4	40	1
4	GORDON Keira	Yellow-Orange	Northern Capital		10		XX		1	10	4
5	MICHALUK Annika	Orange-Green	Shidokai	10	10		10	XX	3	30	2

## Matches

Match	White			Blue	Result	Time	Code
B-3	GORDON Keira	4	5	MICHALUK Annika	0 - 10	0:44	IPO
B-5	DEN OTTER Maya	1	2	BACHINSKI Rhianna	5 - 0	3:00	WAZ
B-8	KUNADZE Maya	3	4	GORDON Keira	10 - 0	0:07	IPO
B-11	DEN OTTER Maya	1	5	MICHALUK Annika	0 - 10	0:20	IPO
B-14	BACHINSKI Rhianna	2	3	KUNADZE Maya	0 - 10	0:30	IPO
B-18	DEN OTTER Maya	1	4	GORDON Keira	10 - 0	1:02	IPO
B-21	KUNADZE Maya	3	5	MICHALUK Annika	10 - 0	1:00	WIP
B-24	BACHINSKI Rhianna	2	4	GORDON Keira	0 - 10	0:23	WIP
B-27	DEN OTTER Maya	1	3	KUNADZE Maya	0 - 10	0:51	WIP
B-29	BACHINSKI Rhianna	2	5	MICHALUK Annika	0 - 10	0:23	WIP

## Results

Pos	Name
1	Kokushikai, KUNADZE Maya
2	Shidokai, MICHALUK Annika
3	Invermere, DEN OTTER Maya
4	Northern Capital, GORDON Keira



# U14 Female -57kg

## Competitors A

#	Name	Grade	Club	1	2	3	Wins	Pts	Pos
1	GREENWOOD Aria	Green	Hart	XX		10	1	10	2
2	GLADSTONE Alewyn	Orange	Nanaimo	10	XX	10	2	20	1
3	BORLE Kennedy	Yellow	Westsyde			XX	0	0	3

## Matches A

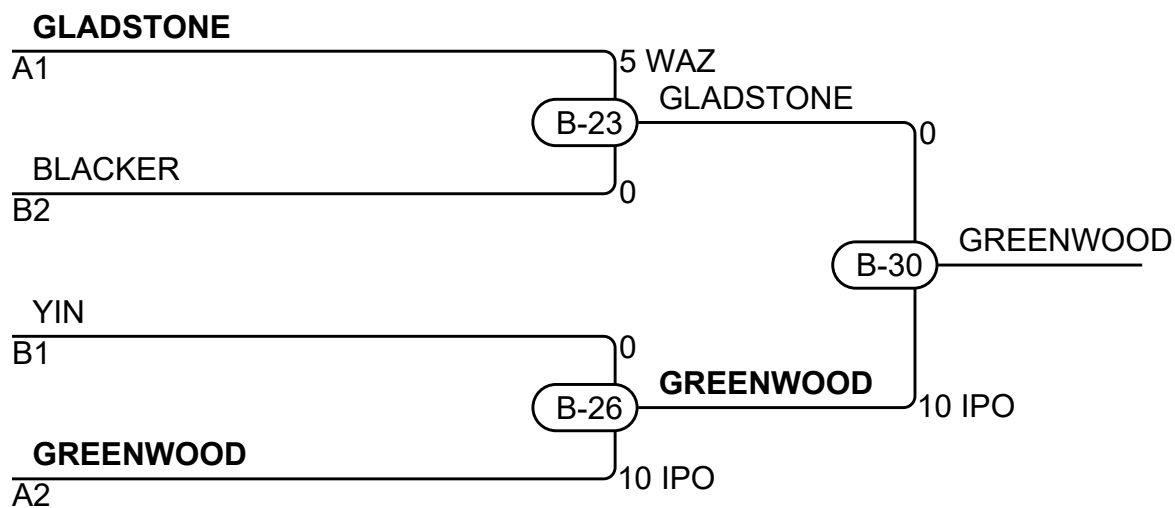
Match	White	Blue	Result	Time	Code
B-4	GREENWOOD Aria 1 2	GLADSTONE Alewyn	0 - 10	2:25	WIP
B-9	GREENWOOD Aria 1 3	BORLE Kennedy	10 - 0	0:21	WIP
B-16	GLADSTONE Alewyn 2 3	BORLE Kennedy	10 - 0	0:47	IPO

## Competitors B

#	Name	Grade	Club	4	5	6	Wins	Pts	Pos
4	YIN Hannah	Orange	Prince George	XX	10	10	2	20	1
5	MARCHAND Payton	Orange	Aberdeen		XX		0	0	3
6	BLACKER Tiara	Yellow-Orange	Hart		10	XX	1	10	2

## Matches B

Match	White	Blue	Result	Time	Code
B-6	YIN Hannah 4 5	MARCHAND Payton	10 - 0	0:39	IPO
B-13	YIN Hannah 4 6	BLACKER Tiara	10 - 0	0:43	WIP
B-19	MARCHAND Payton 5 6	BLACKER Tiara	0 - 10	1:18	IPO



## Results

Pos	Name
1	Hart, GREENWOOD Aria
2	Nanaimo, GLADSTONE Alewyn
3	Hart, BLACKER Tiara
3	Prince George, YIN Hannah

# U14 Female +63kg

## Competitors

#	Name	Grade	Club	1	2	1	2	1	2	Wins	Pts	Pos
1	MCCULLOUGH Lily	Green	Prince George	XX	10	XX	5	XX		2	15	1
2	CHISAN Sara	Orange	Prince George		XX		XX		XX	0	0	2

## Matches

Match	White			Blue	Result	Time	Code
A-10	MCCULLOUGH Lily	1	2	CHISAN Sara	10 - 0	2:11	WIP
A-20	CHISAN Sara	2	1	MCCULLOUGH Lily	0 - 5	3:00	WAZ
A-31	MCCULLOUGH Lily	1	2	CHISAN Sara			

## Results

Pos	Name
1	Prince George, MCCULLOUGH Lily

# U14 Male -31kg

## Competitors

#	Name	Grade	Club	1	2	3	Wins	Pts	Pos
1	MARSHALL Julian	Orange	Williams Lake	XX			0	0	3
2	FATTOR Stefano	Orange	Kamloops	10	XX		1	10	2
3	LOLIEV Akhmed	Green	Burnaby	10	10	XX	2	20	1

## Matches

Match	White			Blue	Result	Time	Code
C-1	MARSHALL Julian	1	2	FATTOR Stefano	0 - 10	1:14	WIP
C-2	MARSHALL Julian	1	3	LOLIEV Akhmed	0 - 10	2:46	IPO
C-39	FATTOR Stefano	2	3	LOLIEV Akhmed	0 - 10	0:23	IPO

## Results

Pos	Name
1	Burnaby, LOLIEV Akhmed
2	Kamloops, FATTOR Stefano

# U14 Male -34kg

## Competitors A

#	Name	Grade	Club	1	2	3	4	Wins	Pts	Pos
1	HINTON Tobin	Green	Police Jr.	XX	10			1	10	3
2	VIDAL Tucker	Yellow	Westsyde		XX			0	0	4
3	TEMIRBAEV Amir	Green	Burnaby	10	10	XX	10	3	30	1
4	MOES Ezekiel	Orange-Green	Nanaimo	10	10		XX	2	20	2

## Matches A

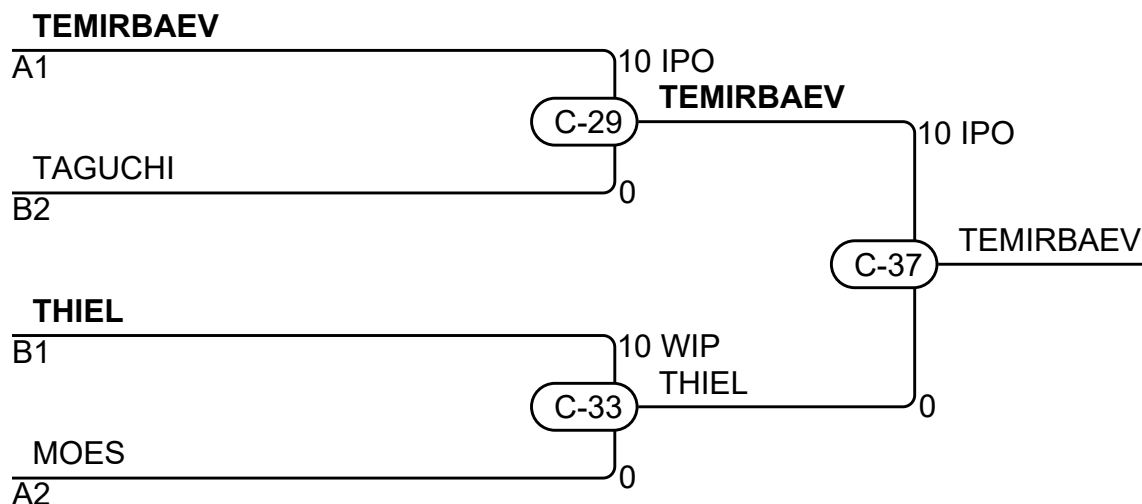
Match	White	Blue	Result	Time	Code
C-3	HINTON Tobin 1 2	VIDAL Tucker	10 - 0	0:32	WIP
C-6	TEMIRBAEV Amir 3 4	MOES Ezekiel	10 - 0	2:54	WIP
C-12	HINTON Tobin 1 3	TEMIRBAEV Amir	0 - 10	1:42	WIP
C-14	VIDAL Tucker 2 4	MOES Ezekiel	0 - 10	0:56	WIP
C-20	HINTON Tobin 1 4	MOES Ezekiel	0 - 10	1:43	WIP
C-23	VIDAL Tucker 2 3	TEMIRBAEV Amir	0 - 10	1:05	IPO

## Competitors B

#	Name	Grade	Club	5	6	7	Wins	Pts	Pos
5	TAGUCHI Taisei	Orange-Green	Police Jr.	XX	10		1	10	2
6	CARTWRIGHT Levi	Green	Prince George		XX		0	0	3
7	THIEL Nathan	Green	Abbotsford	10	10	XX	2	20	1

## Matches B

Match	White	Blue	Result	Time	Code
C-9	TAGUCHI Taisei 5 6	CARTWRIGHT Levi	10 - 0	0:43	WIP
C-17	TAGUCHI Taisei 5 7	THIEL Nathan	0 - 10	0:45	IPO
C-25	CARTWRIGHT Levi 6 7	THIEL Nathan	0 - 10	0:22	WIP



## Results

Pos	Name
1	Burnaby, TEMIRBAEV Amir
2	Abbotsford, THIEL Nathan
3	Police Jr., TAGUCHI Taisei
3	Nanaimo, MOES Ezekiel

# U14 Male -38kg

## Competitors A

#	Name	Grade	Club	1	2	3	Wins	Pts	Pos
1	ROTBART Orion	Yellow-Orange	Burnaby	XX		10	1	10	2
2	SCHALK Adam	Orange	Steveston	10	XX	10	2	20	1
3	GRINDLE Connor	Orange	Creston			XX	0	0	3

## Matches A

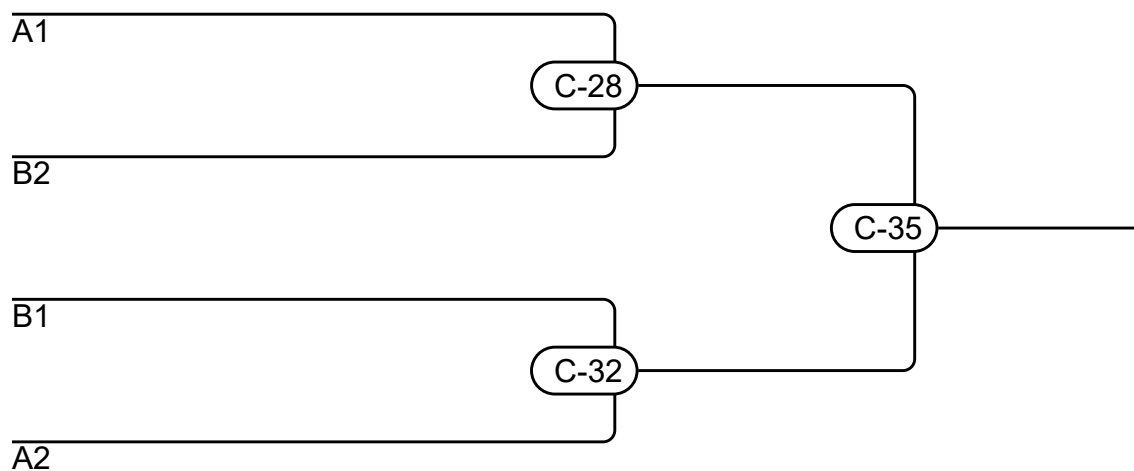
Match	White	Blue	Result	Time	Code
C-5	ROTBART Orion	1 2 SCHALK Adam	0 - 10	0:37	WIP
C-11	ROTBART Orion	1 3 GRINDLE Connor	10 - 0	0:43	WIP
C-19	SCHALK Adam	2 3 GRINDLE Connor	10 - 0	1:47	WIP

## Competitors B

#	Name	Grade	Club	4	5	6	Wins	Pts	Pos
4	OWENSON Eli	Yellow-Orange	Steveston	XX	10	10	2	20	1
5	SCHAEFFER Tyson	Green	Prince George		XX		0	0	3
6	FLETT William	Orange	Victoria		10	XX	1	10	2

## Matches B

Match	White	Blue	Result	Time	Code
C-8	OWENSON Eli	4 5 SCHAEFFER Tyson	10 - 0	1:10	WIP
C-16	OWENSON Eli	4 6 FLETT William	10 - 0	2:43	IPO
C-22	SCHAEFFER Tyson	5 6 FLETT William	0 - 10	0:40	IPO



## Results

Pos	Name
1	
2	
3	
3	

# U14 Male -42kg

## Competitors A

#	Name	Grade	Club	1	2	3	4	Wins	Pts	Pos
1	HOLLIDAY Grayson	Green	Prince George	XX				0	0	4
2	LE BRIS Lowan	Green	Burnaby	10	XX	10	10	3	30	1
3	GREENWOOD Joshua	Green	Hart	10		XX	10	2	20	2
4	HANSON Ashton	Green	Victoria	10			XX	1	10	3

## Matches A

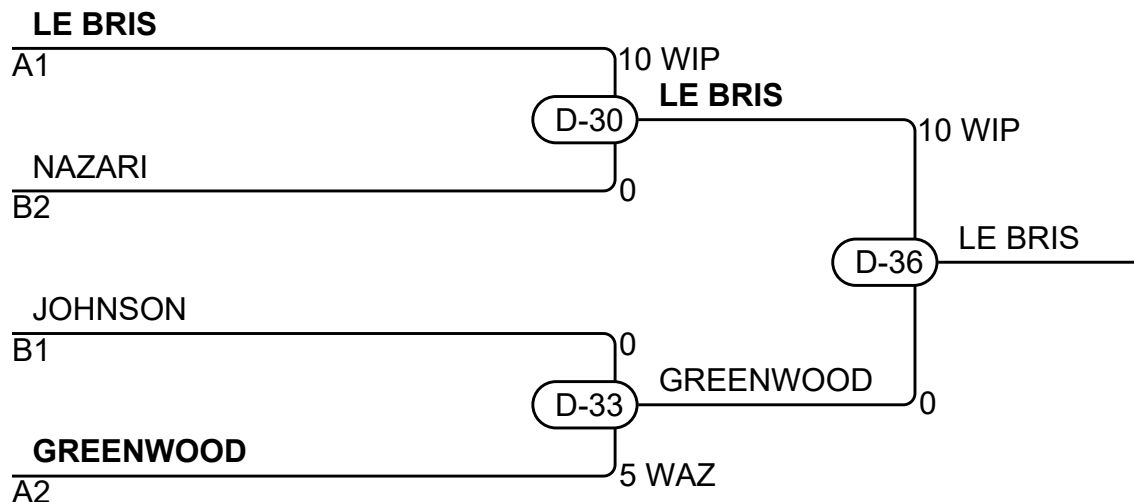
Match	White	Blue	Result	Time	Code
D-3	HOLLIDAY Grayson 1 2	LE BRIS Lowan	0 - 10	1:32	WIP
D-6	GREENWOOD Joshua 3 4	HANSON Ashton	10 - 0	1:23	WIP
D-12	HOLLIDAY Grayson 1 3	GREENWOOD Joshua	0 - 10	3:00	GSI
D-15	LE BRIS Lowan 2 4	HANSON Ashton	10 - 0	0:39	WIP
D-21	HOLLIDAY Grayson 1 4	HANSON Ashton	0 - 10	3:00	IPO
D-24	LE BRIS Lowan 2 3	GREENWOOD Joshua	10 - 0	0:18	IPO

## Competitors B

#	Name	Grade	Club	5	6	7	Wins	Pts	Pos
5	NAZARI Rodean	Orange-Grade	Burnaby	XX		10	1	10	2
6	JOHNSON Michael	Orange-Grade	Invermere	10	XX	5	2	15	1
7	POHL Gavin	Orange-Grade	White Zero			XX	0	0	3

## Matches B

Match	White	Blue	Result	Time	Code
D-9	NAZARI Rodean 5 6	JOHNSON Michael	0 - 10	0:20	IPO
D-18	NAZARI Rodean 5 7	POHL Gavin	10 - 0	0:49	IPO
D-27	JOHNSON Michael 6 7	POHL Gavin	5 - 0	3:00	WAZ



## Results

Pos	Name
1	Burnaby, LE BRIS Lowan
2	Hart, GREENWOOD Joshua
3	Burnaby, NAZARI Rodean
3	Invermere, JOHNSON Michael

# U14 Male -46kg

## Competitors A

#	Name	Grade	Club	1	2	3	4	Wins	Pts	Pos
1	GOLE Charlie	Green	Campbell River	XX	10	10	10	3	30	1
2	ELLINGSON Odin	Green	Abbotsford		XX	10		1	10	3
3	LISSIMORE Kareem	Orange-Green	Kamloops			XX		0	0	4
4	LAW Wilfred	Orange	Shin bu kan		10	10	XX	2	20	2

## Matches A

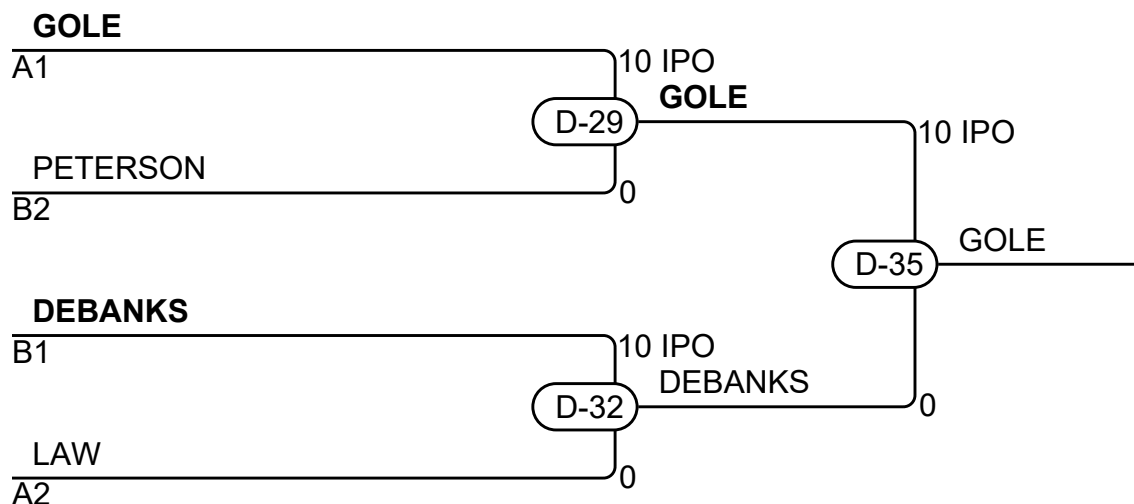
Match	White	Blue	Result	Time	Code
D-2	GOLE Charlie 1 2	ELLINGSON Odin	10 - 0	3:00	WIP
D-5	LISSIMORE Kareem 3 4	LAW Wilfred	0 - 10	0:38	IPO
D-11	GOLE Charlie 1 3	LISSIMORE Kareem	10 - 0	0:17	IPO
D-14	ELLINGSON Odin 2 4	LAW Wilfred	0 - 10	0:40	IPO
D-20	GOLE Charlie 1 4	LAW Wilfred	10 - 0	1:24	IPO
D-23	ELLINGSON Odin 2 3	LISSIMORE Kareem	10 - 0	1:21	IPO

## Competitors B

#	Name	Grade	Club	5	6	7	Wins	Pts	Pos
5	HOU Owen	Orange-Green	Steveston	XX			0	0	3
6	PETERSON Braden	Green	Campbell River	10	XX		1	10	2
7	DEBANKS Ivan	Green	White Rock	10	10	XX	2	20	1

## Matches B

Match	White	Blue	Result	Time	Code
D-8	HOU Owen 5 6	PETERSON Braden	0 - 10	1:07	WIP
D-17	HOU Owen 5 7	DEBANKS Ivan	0 - 10	1:38	IPO
D-26	PETERSON Braden 6 7	DEBANKS Ivan	0 - 10	0:37	WIP



## Results

Pos	Name
1	Campbell River, GOLE Charlie
2	White Rock, DEBANKS Ivan
3	Campbell River, PETERSON Braden
3	Shin bu kan, LAW Wilfred

# U14 Male -50kg

## Competitors A

#	Name	Grade	Club	1	2	3	4	Wins	Pts	Pos
1	ARCHAMBAULT Brody	Orange	Creston	XX		10		1	10	3
2	WHITMORE Gavin	Green	Abbotsford	10	XX	10	10	3	30	1
3	YANG Anthony	Orange-Green	Kelowna			XX		0	0	4
4	COTTER Aidan	Orange	Hart	10		10	XX	2	20	2

## Matches A

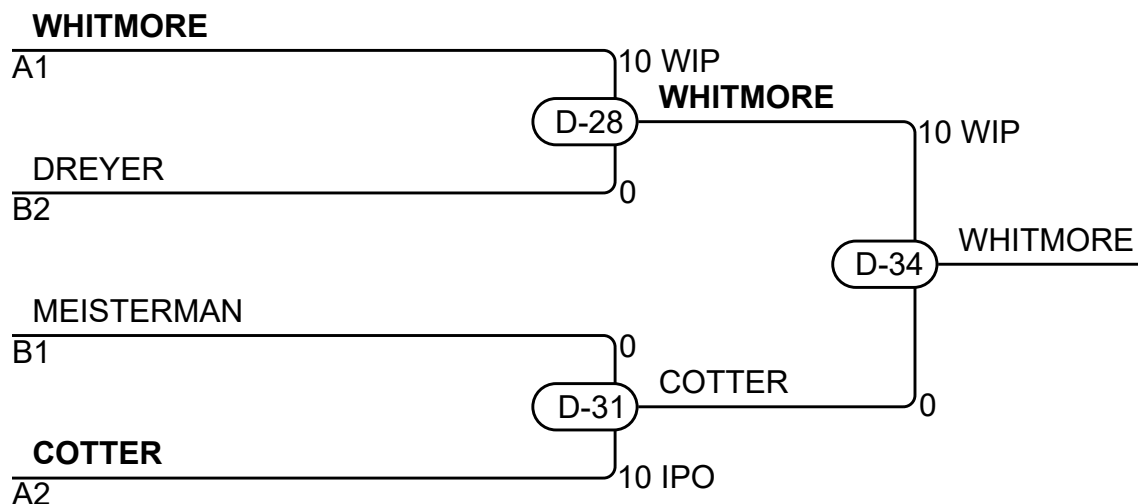
Match	White	Blue	Result	Time	Code
D-1	ARCHAMBAULT Brody	WHITMORE Gavin	0 - 10	0:33	WIP
D-4	YANG Anthony	COTTER Aidan	0 - 10	0:43	IPO
D-10	ARCHAMBAULT Brody	YANG Anthony	10 - 0	1:30	WIP
D-13	WHITMORE Gavin	COTTER Aidan	10 - 0	2:44	WIP
D-19	ARCHAMBAULT Brody	COTTER Aidan	0 - 10	0:16	IPO
D-22	WHITMORE Gavin	YANG Anthony	10 - 0	0:45	IPO

## Competitors B

#	Name	Grade	Club	5	6	7	Wins	Pts	Pos
5	BLACKBURN Connor	Orange-Green	Kelowna	XX			0	0	3
6	MEISTERMAN Kameron	Orange	Steveston	10	XX	10	2	20	1
7	DREYER Tuja	Orange	Kelowna	10		XX	1	10	2

## Matches B

Match	White	Blue	Result	Time	Code
D-7	BLACKBURN Connor	MEISTERMAN Kameron	0 - 10	1:14	WIP
D-16	BLACKBURN Connor	DREYER Tuja	0 - 10	3:00	IPO
D-25	MEISTERMAN Kameron	DREYER Tuja	10 - 0	1:02	IPO



## Results

Pos	Name
1	Abbotsford, WHITMORE Gavin
2	Hart, COTTER Aidan
3	Kelowna, DREYER Tuja
3	Steveston, MEISTERMAN Kameron



# U14 Male -60kg

## Competitors A

#	Name	Grade	Club	1	2	3	4	Wins	Pts	Pos
1	UYEDA Kazuto	Orange-Green	Kamloops	XX		10	10	2	20	2
2	KRUGER John	Orange-Green	Nanaimo	10	XX	10	10	3	30	1
3	DYDZUK Jonathan	Green	Abbotsford			XX	10	1	10	3
4	IKARI William	Orange-Green	Police Jr.				XX	0	0	4

## Matches A

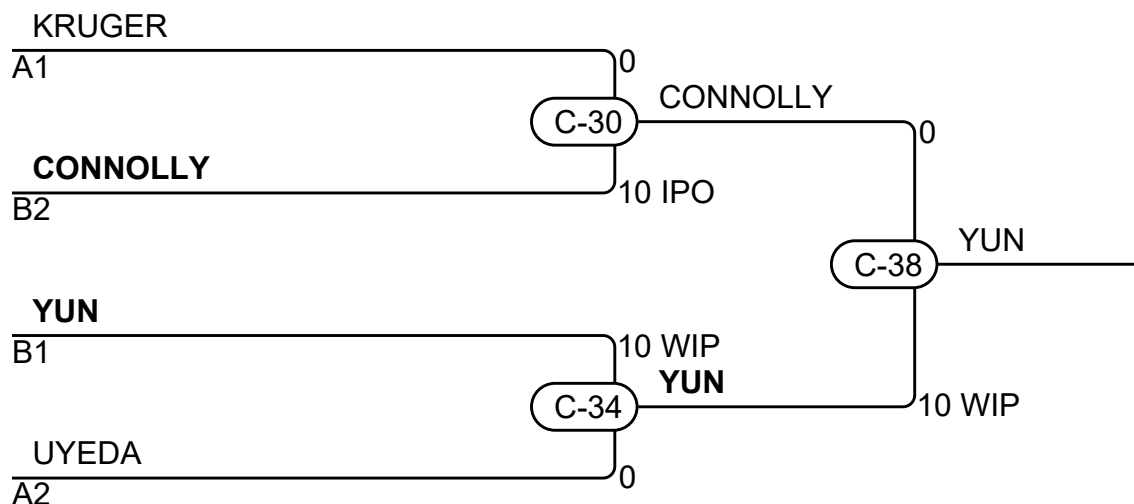
Match	White	Blue	Result	Time	Code
C-4	UYEDA Kazuto 1 2	KRUGER John	0 - 10	1:30	IPO
C-7	DYDZUK Jonathan 3 4	IKARI William	10 - 0	1:25	WIP
C-13	UYEDA Kazuto 1 3	DYDZUK Jonathan	10 - 0	3:00	IPO
C-15	KRUGER John 2 4	IKARI William	10 - 0	0:30	WIP
C-21	UYEDA Kazuto 1 4	IKARI William	10 - 0	1:15	WIP
C-24	KRUGER John 2 3	DYDZUK Jonathan	10 - 0	1:27	IPO

## Competitors B

#	Name	Grade	Club	5	6	7	Wins	Pts	Pos
5	CLOUTIER Michael	Yellow	Kamloops	XX			0	0	3
6	YUN Matthew	Orange-Green	Champion	10	XX	5	2	15	1
7	CONNOLLY Liam	Orange	Westsyde	10		XX	1	10	2

## Matches B

Match	White	Blue	Result	Time	Code
C-10	CLOUTIER Michael 5 6	YUN Matthew	0 - 10	0:29	IPO
C-18	CLOUTIER Michael 5 7	CONNOLLY Liam	0 - 10	0:26	WIP
C-26	YUN Matthew 6 7	CONNOLLY Liam	5 - 0	3:00	WAZ



## Results

Pos	Name
1	Champion, YUN Matthew
2	Westsyde, CONNOLLY Liam
3	Nanaimo, KRUGER John
3	Kamloops, UYEDA Kazuto

# U16 -38kg Tie

## Competitors

#	Name	Grade	Club	1	2	3	Wins	Pts	Pos
1	JOE Zackery	Blue	Burnaby	XX	10	10	2	20	1
2	FABBRO Daniel	Green	Creston		XX	10	1	10	2
3	FRIZZELL Linus	Green	Hart			XX	0	0	3

## Matches

Match	White			Blue	Result	Time	Code
B-1	JOE Zackery	1	2	FABBRO Daniel	10 - 0	0:47	IPO
B-2	JOE Zackery	1	3	FRIZZELL Linus	10 - 0	2:06	IPO
B-5	FABBRO Daniel	2	3	FRIZZELL Linus	10 - 0	0:25	IPO

## Results

Pos	Name
1	Burnaby, JOE Zackery
2	Creston, FABBRO Daniel

# U16 Female -40kg

## Competitors A

#	Name	Grade	Club	1	2	3	4	Wins	Pts	Pos
1	WHITTLE Gwen	Green	Campbell River	XX						
2	AU Leanna	Green	Burnaby	10	XX	10	10	3	30	
3	VAN ZYL Carla	Green	Hart			XX	10	1	10	
4	SMITH Kassidy	Orange	Abbotsford				XX			

## Matches A

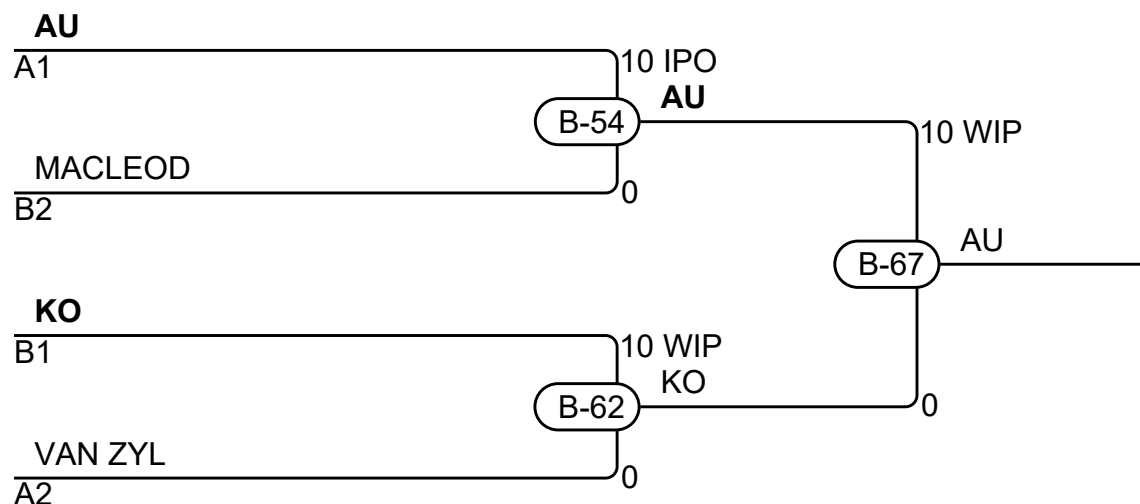
Match	White	Blue	Result	Time	Code
B-1	WHITTLE Gwen 1 2	AU Leanna	0 - 10	0:20	IPO
B-2	VAN ZYL Carla 3 4	SMITH Kassidy	10 - 0	3:35	GSW
B-15	WHITTLE Gwen 1 3	VAN ZYL Carla			
B-25	AU Leanna 2 4	SMITH Kassidy	10 - 0	1:15	IPO
B-34	WHITTLE Gwen 1 4	SMITH Kassidy			
B-39	AU Leanna 2 3	VAN ZYL Carla	10 - 0	0:51	IPO

## Competitors B

#	Name	Grade	Club	5	6	7	Wins	Pts	Pos
5	MACLEOD Hailey	Orange	Campbell River	XX		10	1	10	
6	KO Jenna	Green-Blue	Burnaby	10	XX	10	2	20	
7	GRUBER Ava	Orange	Vernon			XX			

## Matches B

Match	White	Blue	Result	Time	Code
B-11	MACLEOD Hailey 5 6	KO Jenna	0 - 10	0:20	IPO
B-29	MACLEOD Hailey 5 7	GRUBER Ava	10 - 0	8:36	GSI
B-47	KO Jenna 6 7	GRUBER Ava	10 - 0	1:52	WIP



## Results

Pos	Name
1	Burnaby, AU Leanna
2	Burnaby, KO Jenna
3	Campbell River, MACLEOD Hailey
3	Hart, VAN ZYL Carla

# U16 Female -44kg

## Competitors A

#	Name	Grade	Club	1	2	3	4	Wins	Pts	Pos
1	VELONAS Athena	Green	Abbotsford	XX	10	10		2	20	1
2	MAIHARA Teya	Green	Police Jr.		XX		10	1	10	3
3	BOULDING Clare	Orange	Nanaimo		10	XX	5	2	15	2
4	MELENKA Jessi	Green	Rocky Mountain	10			XX	1	10	4

## Matches A

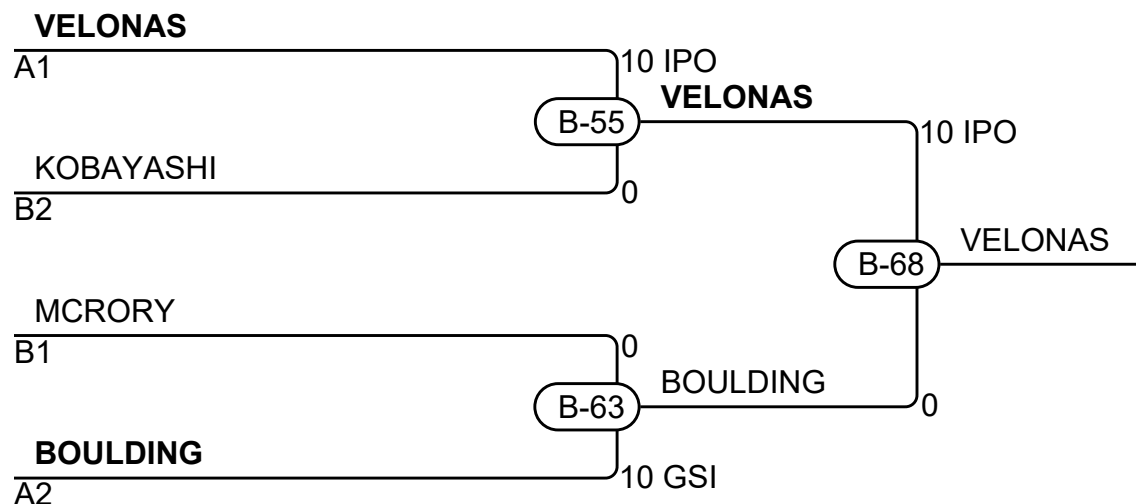
Match	White		Blue	Result	Time	Code
B-3	VELONAS Athena	1	2 MAIHARA Teya	10 - 0	2:07	WIP
B-6	BOULDING Clare	3	4 MELENKA Jessi	5 - 0	3:00	WAZ
B-16	VELONAS Athena	1	3 BOULDING Clare	10 - 0	0:44	IPO
B-26	MAIHARA Teya	2	4 MELENKA Jessi	10 - 0	2:34	IPO
B-35	VELONAS Athena	1	4 MELENKA Jessi	0 - 10	3:19	GSI
B-40	MAIHARA Teya	2	3 BOULDING Clare	0 - 10	1:26	WIP

## Competitors B

#	Name	Grade	Club	5	6	7	Wins	Pts	Pos
5	KOBAYASHI Kaiya	Orange	Kamloops	XX		10	1	10	2
6	MCRORY Jordyn	Green	Abbotsford	10	XX	10	2	20	1
7	PHILLIPS Abby	Orange	Vernon			XX	0	0	3

## Matches B

Match	White		Blue	Result	Time	Code
B-12	KOBAYASHI Kaiya	5	6 MCRORY Jordyn	0 - 10	1:41	IPO
B-30	KOBAYASHI Kaiya	5	7 PHILLIPS Abby	10 - 0	0:09	IPO
B-48	MCRORY Jordyn	6	7 PHILLIPS Abby	10 - 0	0:41	IPO

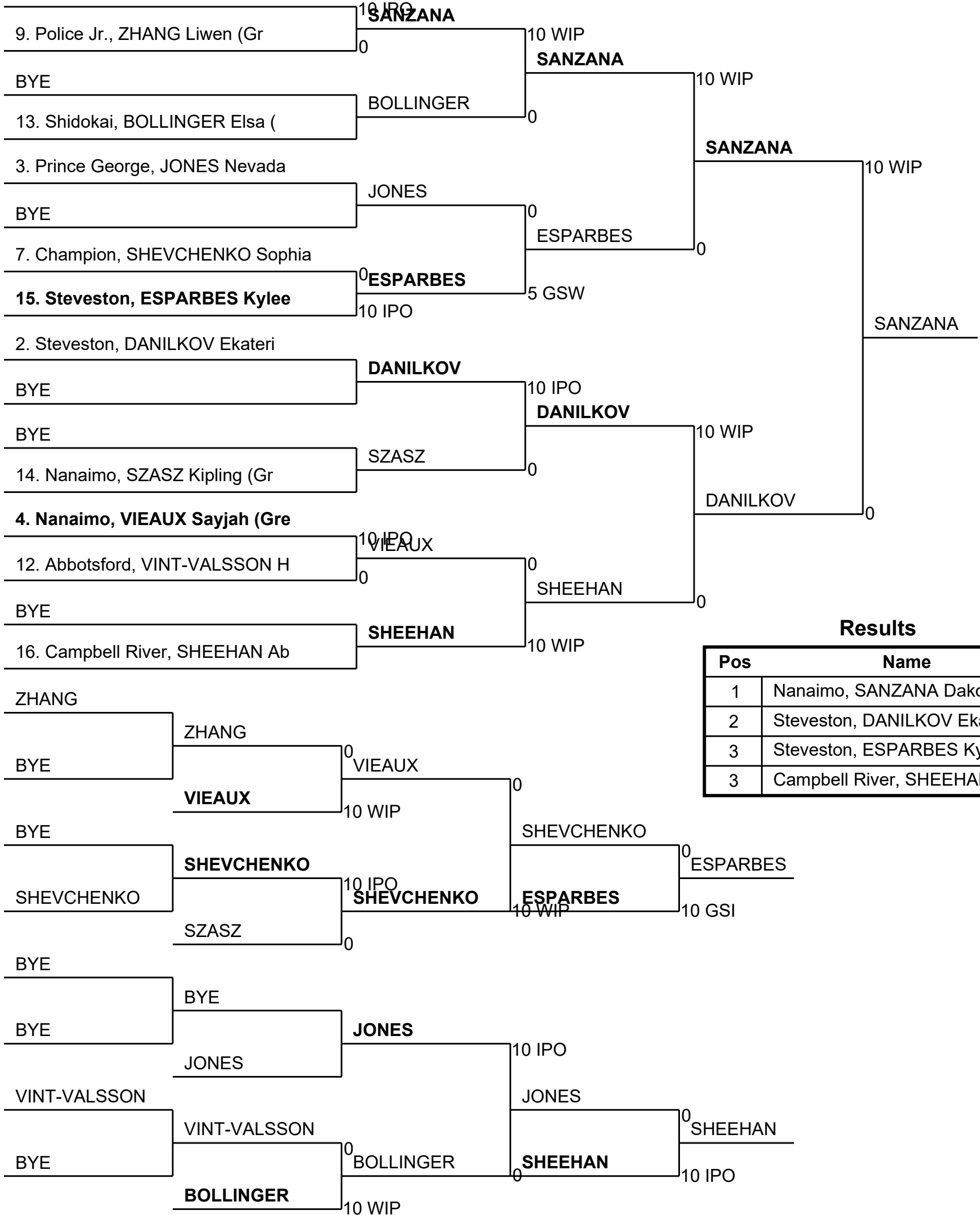


## Results

Pos	Name
1	Abbotsford, VELONAS Athena
2	Nanaimo, BOULDING Clare
3	Kamloops, KOBAYASHI Kaiya
3	Abbotsford, MCRORY Jordyn

# U16 Female -48kg

1. Nanaimo, SANZANA Dakota (BI)



## Results

Pos	Name
1	Nanaimo, SANZANA Dakota
2	Steveston, DANILKOV Ekateri
3	Steveston, ESPARBES Kylee
3	Campbell River, SHEEHAN Ab

# U16 Female -52kg

## Competitors

#	Name	Grade	Club	1	2	3	4	5	Wins	Pts	Pos
1	PALLER Lola	Green	Abbotsford	XX	10	10	10	10	4	40	1
2	MICHALUK Annika	Orange-Green	Shidokai		XX		10	10	2	20	3
3	KUNADZE Maya	Green	Kokushikai		10	XX	10	10	3	30	2
4	DESJARLAIS Abigail	Green	Hart				XX	10	1	10	4
5	DEN OTTER Maya	Orange-Green	Levernemere					XX	0	0	5

## Matches

Match	White	Blue	Result	Time	Code
1	DESJARLAIS Abigail	4 5 DEN OTTER Maya	10 - 0	1:31	IPO
2	PALLER Lola	1 2 MICHALUK Annika	10 - 0	0:42	WIP
3	KUNADZE Maya	3 4 DESJARLAIS Abigail	10 - 0	1:42	WIP
4	PALLER Lola	1 5 DEN OTTER Maya	10 - 0	1:09	WIP
5	MICHALUK Annika	2 3 KUNADZE Maya	0 - 10	0:31	WIP
6	PALLER Lola	1 4 DESJARLAIS Abigail	10 - 0	0:36	WIP
7	KUNADZE Maya	3 5 DEN OTTER Maya	10 - 0	0:16	WIP
8	MICHALUK Annika	2 4 DESJARLAIS Abigail	10 - 0	0:25	WIP
9	PALLER Lola	1 3 KUNADZE Maya	10 - 0	0:41	IPO
10	MICHALUK Annika	2 5 DEN OTTER Maya	10 - 0	0:49	IPO

## Results

Pos	Name
1	Abbotsford, PALLER Lola
2	Kokushikai, KUNADZE Maya
3	Shidokai, MICHALUK Annika
4	Hart, DESJARLAIS Abigail

# U16 Female -57kg

## Competitors A

#	Name	Grade	Club	1	2	3	Wins	Pts	Pos
1	SCHENK Beata	Blue	Burnaby	XX	10	10	2	20	1
2	YIN Hannah	Orange	Prince George		XX		0	0	3
3	GLADSTONE Alewyn	Orange	Nanaimo		10	XX	1	10	2

## Matches A

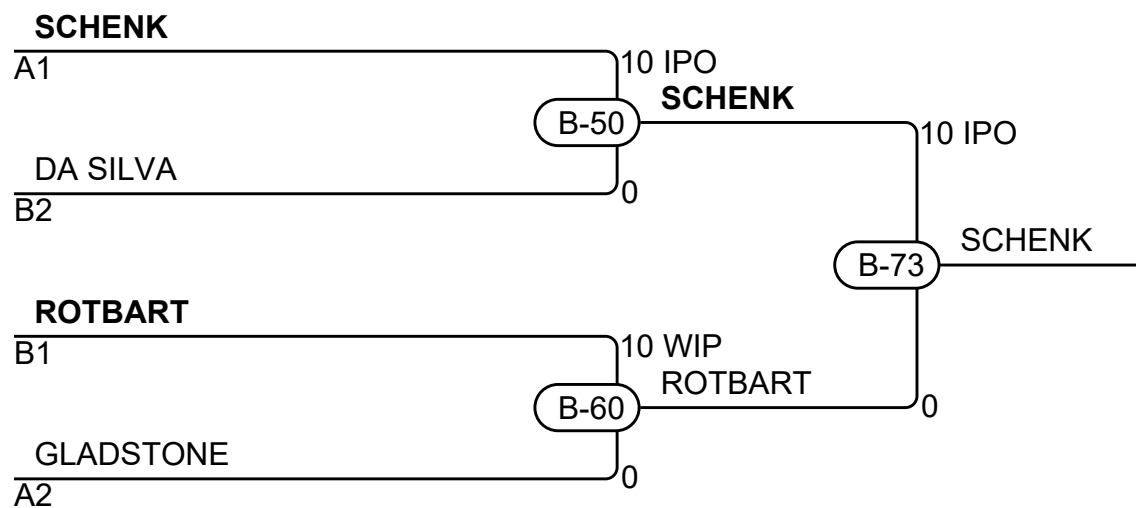
Match	White	Blue	Result	Time	Code
B-5	SCHENK Beata 1 2	YIN Hannah	10 - 0	1:22	WIP
B-20	SCHENK Beata 1 3	GLADSTONE Alewyn	10 - 0	3:00	WIP
B-33	YIN Hannah 2 3	GLADSTONE Alewyn	0 - 10	2:24	WIP

## Competitors B

#	Name	Grade	Club	4	5	6	Wins	Pts	Pos
4	ROTBART Nova	Blue	Burnaby	XX	10	10	2	20	1
5	GREENWOOD Aria	Green	Hart		XX		0	0	3
6	DA SILVA Katrina	Orange	Abbotsford		10	XX	1	10	2

## Matches B

Match	White	Blue	Result	Time	Code
B-10	ROTBART Nova 4 5	GREENWOOD Aria	10 - 0	0:32	WIP
B-28	ROTBART Nova 4 6	DA SILVA Katrina	10 - 0	0:30	WIP
B-44	GREENWOOD Aria 5 6	DA SILVA Katrina	0 - 10	0:59	IPO



## Results

Pos	Name
1	Burnaby, SCHENK Beata
2	Burnaby, ROTBART Nova
3	Abbotsford, DA SILVA Katrina
3	Nanaimo, GLADSTONE Alewyn

# U16 Female -63kg

## Competitors

#	Name	Grade	Club	1	2	3	Wins	Pts	Pos
1	MCCULLOUGH Lily	Green	Prince George	XX		10	1	10	2
2	LIAKOS Maria	Blue	Steveston	10	XX	10	2	20	1
3	HUNT Isabella	Orange	Rocky Mountain			XX	0	0	3

## Matches

Match	White			Blue	Result	Time	Code
1	MCCULLOUGH Lily	1	2	LIAKOS Maria	0 - 10	0:08	IPO
2	MCCULLOUGH Lily	1	3	HUNT Isabella	10 - 0	1:00	IPO
3	LIAKOS Maria	2	3	HUNT Isabella	10 - 0	1:01	IPO

## Results

Pos	Name
1	Steveston, LIAKOS Maria
2	Prince George, MCCULLOUGH Lily



# U16 Female +63kg

## Competitors

#	Name	Grade	Club	1	2	3	Wins	Pts	Pos
1	BIXBY Teigan	Orange-Green	Invermere	XX		10	1	10	2
2	SINCLAIR Maggie	Green	Aberdeen	10	XX	10	2	20	1
3	KATALINIC Sadie	Green	Abbotsford			XX	0	0	3

## Matches

Match	White		Blue		Result	Time	Code
A-49	BIXBY Teigan	1	2	<b>SINCLAIR Maggie</b>	0 - 10	1:33	IPO
A-60	<b>BIXBY Teigan</b>	1	3	KATALINIC Sadie	10 - 0	4:27	GSI
A-71	<b>SINCLAIR Maggie</b>	2	3	KATALINIC Sadie	10 - 0	1:19	IPO

## Results

Pos	Name
1	Aberdeen, SINCLAIR Maggie
2	Invermere, BIXBY Teigan

# U16 Male -38kg

## Competitors

#	Name	Grade	Club	1	2	3	4	5	Wins	Pts	Pos
1	THIEL Nathan	Green	Abbotsford	XX				10	1	10	4
2	JOE Zackery	Blue	Burnaby	10	XX		10	10	3	30	1
3	FRIZZELL Linus	Green	Hart	10	10	XX		10	3	30	2
4	FABBRO Daniel	Green	Creston	10		10	XX	10	3	30	3
5	GRINDLE Connor	Orange	Creston					XX	0	0	5

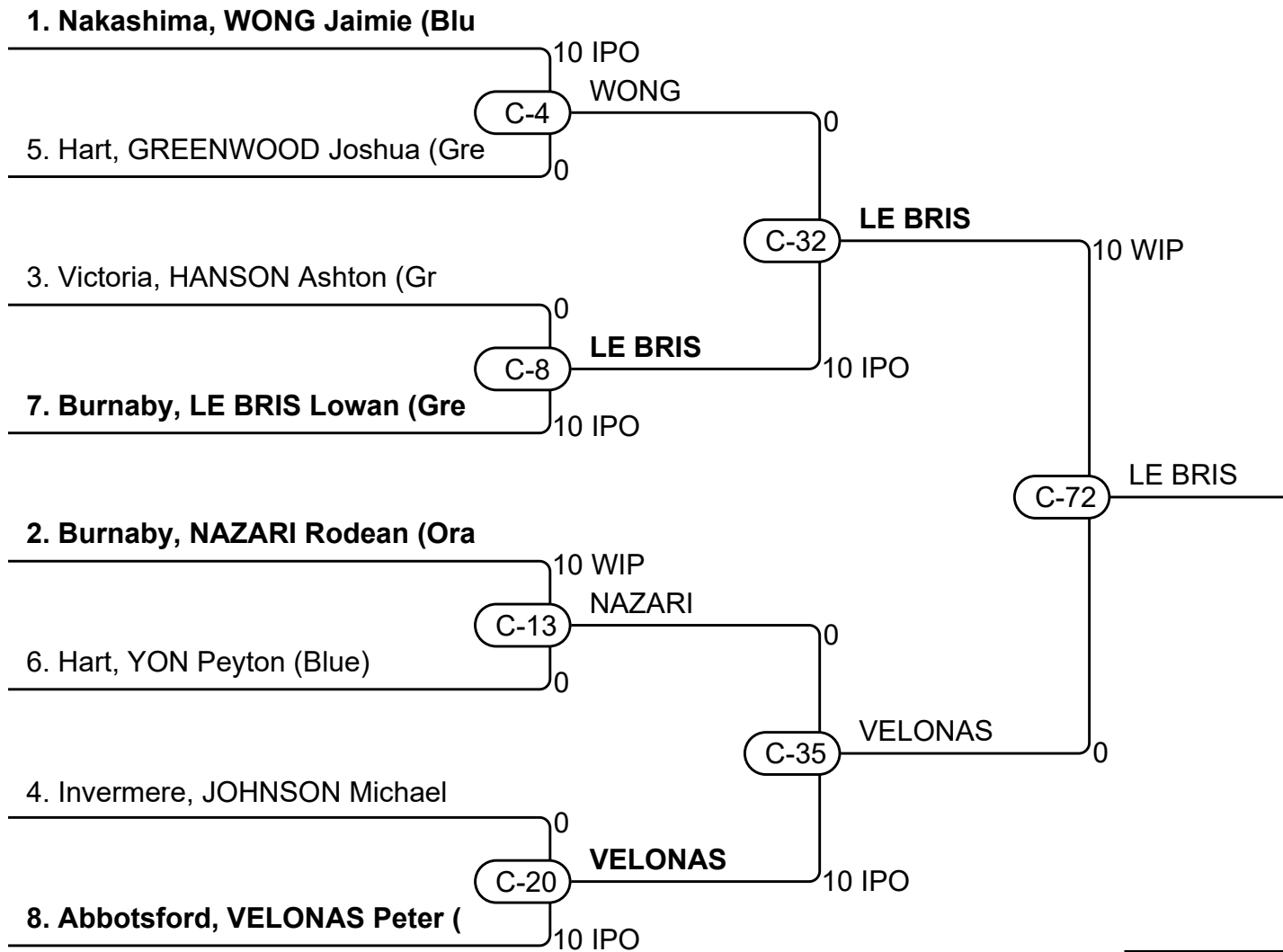
## Matches

Match	White			Blue	Result	Time	Code
B-4	FABBRO Daniel	4	5	GRINDLE Connor	10 - 0	0:20	IPO
B-9	THIEL Nathan	1	2	JOE Zackery	0 - 10	1:35	IPO
B-13	FRIZZELL Linus	3	4	FABBRO Daniel	0 - 10	4:24	GSW
B-23	THIEL Nathan	1	5	GRINDLE Connor	10 - 0	0:43	WIP
B-32	JOE Zackery	2	3	FRIZZELL Linus	0 - 10	2:29	WIP
B-36	THIEL Nathan	1	4	FABBRO Daniel	0 - 10	1:31	IPO
B-46	FRIZZELL Linus	3	5	GRINDLE Connor	10 - 0	1:35	WIP
B-51	JOE Zackery	2	4	FABBRO Daniel	10 - 0	0:43	IPO
B-61	THIEL Nathan	1	3	FRIZZELL Linus	0 - 10	2:19	WIP
B-70	JOE Zackery	2	5	GRINDLE Connor	10 - 0	0:10	IPO

## Results

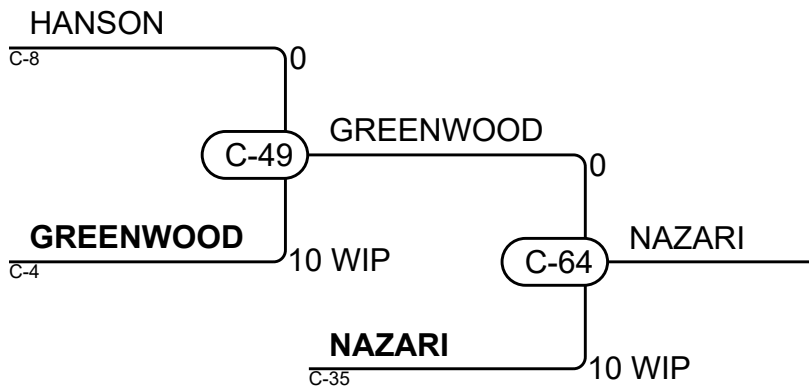
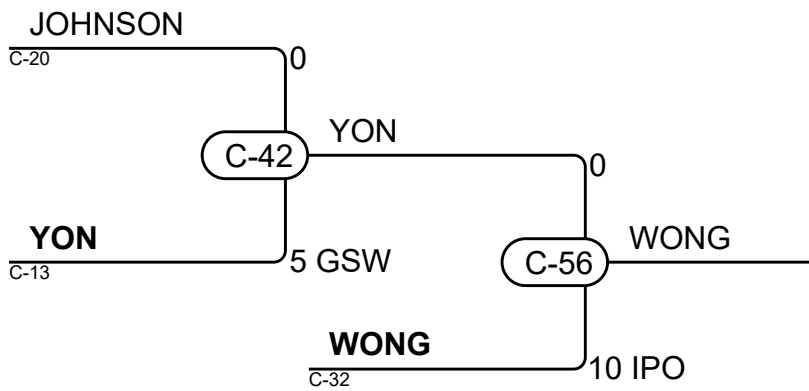
Pos	Name
1	Burnaby, JOE Zackery
1	Hart, FRIZZELL Linus
1	Creston, FABBRO Daniel
1	Abbotsford, THIEL Nathan

# U16 Male -42kg

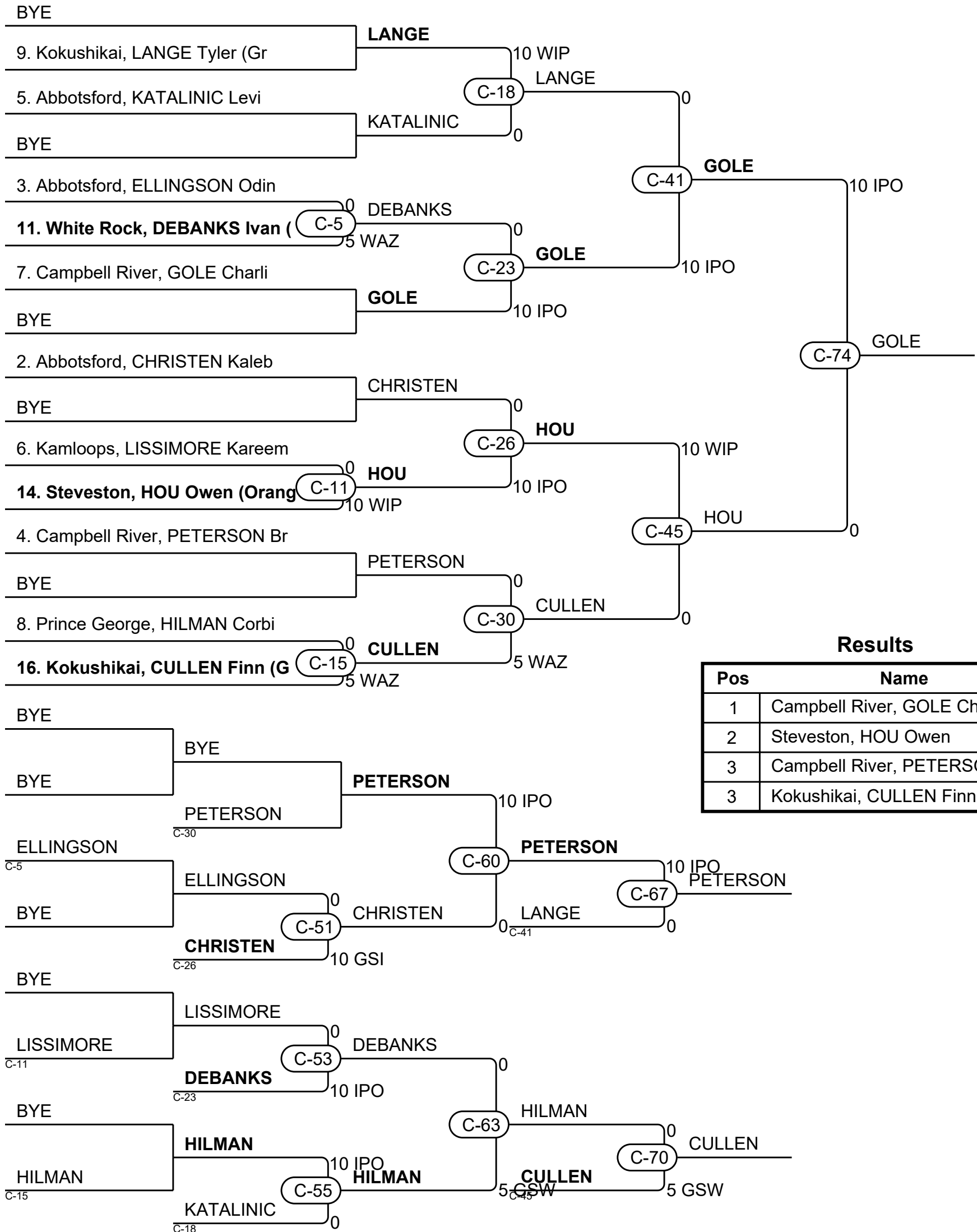


## Results

Pos	Name
1	Burnaby, LE BRIS Lowan
2	Abbotsford, VELONAS Peter
3	Nakashima, WONG Jaimie
3	Burnaby, NAZARI Rodean



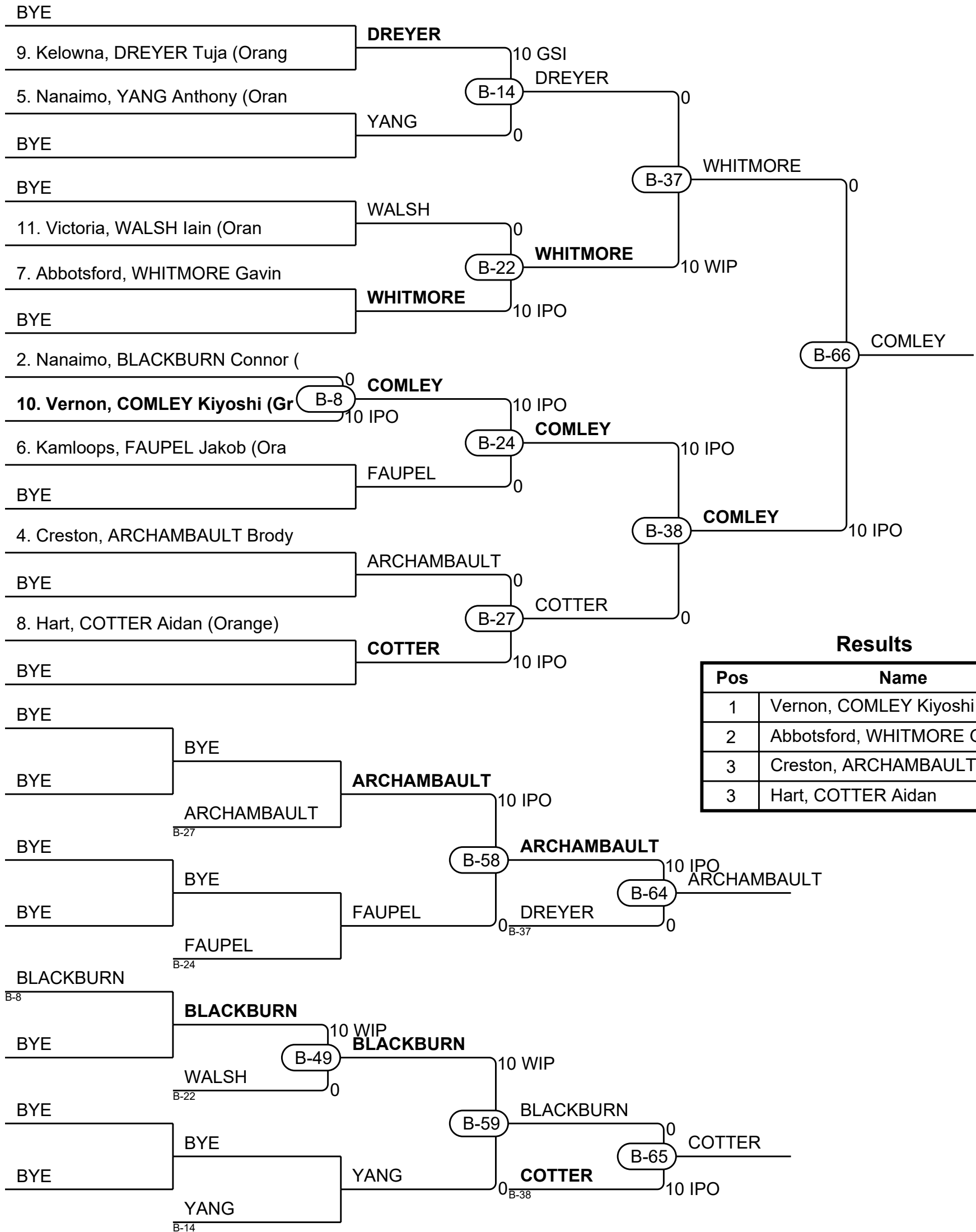
# U16 Male -46kg



## Results

Pos	Name
1	Campbell River, GOLE Charli
2	Steveston, HOU Owen
3	Campbell River, PETERSON B
3	Kokushikai, CULLEN Finn

# U16 Male -50kg

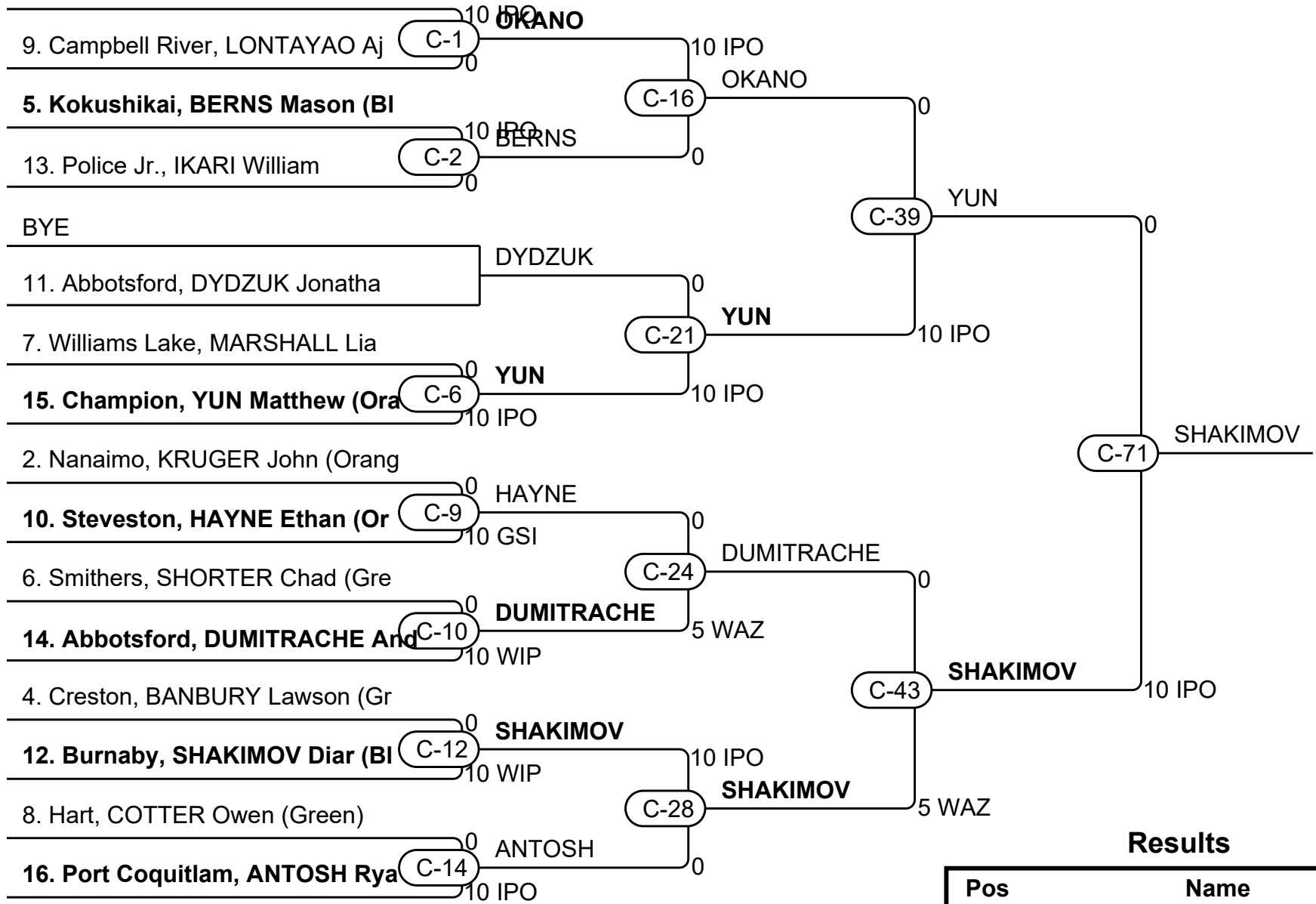


## Results

Pos	Name
1	Vernon, COMLEY Kiyoshi
2	Abbotsford, WHITMORE Gavin
3	Creston, ARCHAMBAULT Brody
3	Hart, COTTER Aidan

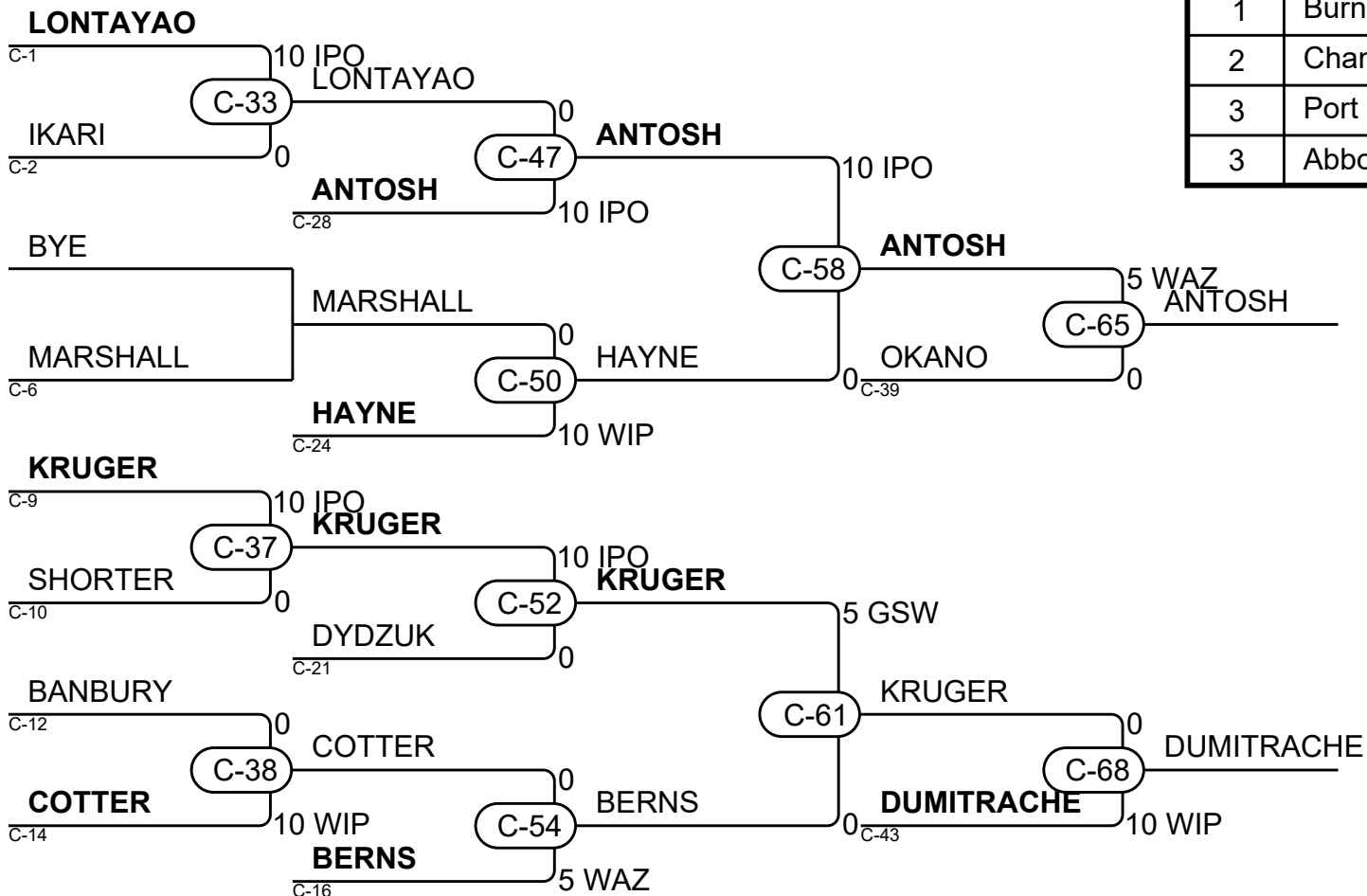
# U16 Male -55kg

## 1. Aberdeen, OKANO Aaron Allan



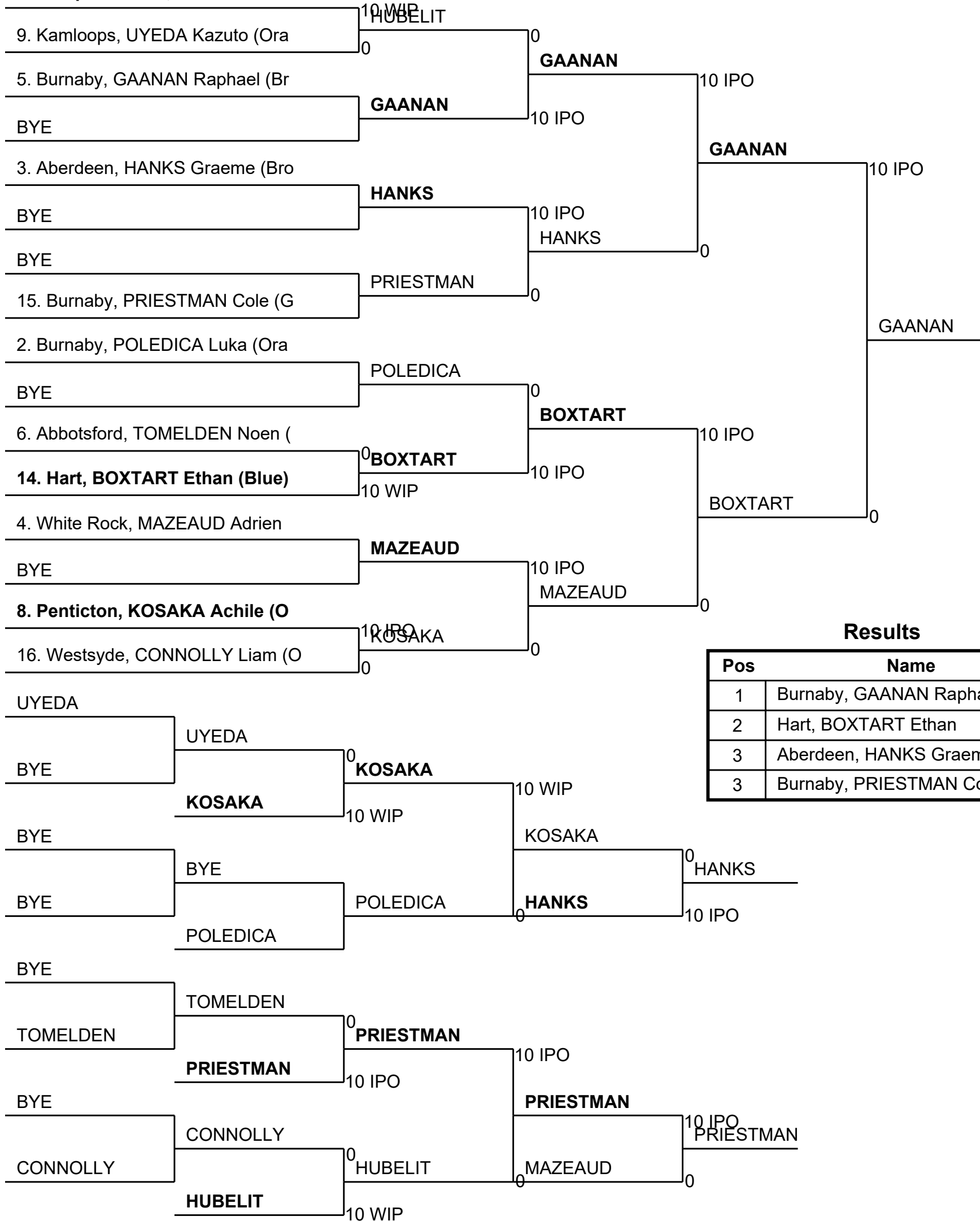
## Results

Pos	Name
1	Burnaby, SHAKIMOV Diar
2	Champion, YUN Matthew
3	Port Coquitlam, ANTOSH Rya
3	Abbotsford, DUMITRACHE And



# U16 Male -60kg

## 1. Campbell River, HUBELIT Aus



## Results

Pos	Name
1	Burnaby, GAANAN Raphael
2	Hart, BOXTART Ethan
3	Aberdeen, HANKS Graeme
3	Burnaby, PRIESTMAN Cole

# U16 Male -66kg

## Competitors

#	Name	Grade	Club	1	2	3	Wins	Pts	Pos
1	GILL Elijah	Blue	Abbotsford	XX		10	1	10	2
2	TARITA Dumitru	Blue	Burnaby	5	XX	10	2	15	1
3	TAMAYOSE Ryu	Blue	Steveston			XX	0	0	3

## Matches

Match	White			Blue	Result	Time	Code
B-19	GILL Elijah	1	2	TARITA Dumitru	0 - 5	3:58	GSW
B-43	GILL Elijah	1	3	TAMAYOSE Ryu	10 - 0	0:51	IPO
B-72	TARITA Dumitru	2	3	TAMAYOSE Ryu	10 - 0	0:23	IPO

## Results

Pos	Name
1	Burnaby, TARITA Dumitru
2	Abbotsford, GILL Elijah



# U16 Male -73kg

## Competitors A

#	Name	Grade	Club	1	2	3	4	Wins	Pts	Pos
1	FELITSYN Evan	Orange	Creston	XX				0	0	4
2	MADILL Max	Blue	Hart	10	XX			1	10	3
3	MOLSKI Matthew	Blue	White Rock	10	10	XX	10	3	30	1
4	PREVOST Hayden	Orange-Green	Hart	10	5		XX	2	15	2

## Matches A

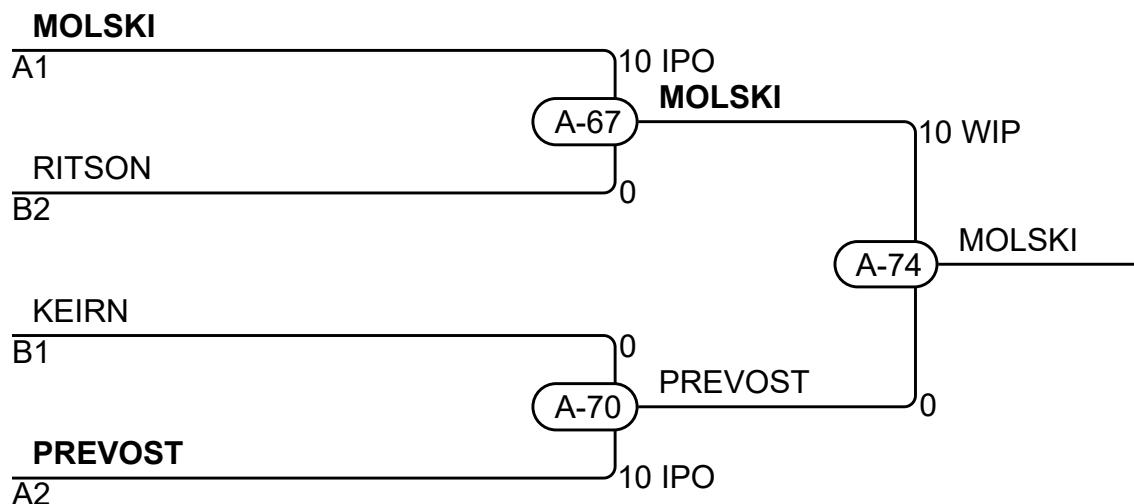
Match	White	Blue	Result	Time	Code
A-41	FELITSYN Evan 1 2	MADILL Max	0 - 10	0:58	IPO
A-44	MOLSKI Matthew 3 4	PREVOST Hayden	10 - 0	0:47	IPO
A-51	FELITSYN Evan 1 3	MOLSKI Matthew	0 - 10	0:19	WIP
A-53	MADILL Max 2 4	PREVOST Hayden	0 - 5	3:00	WAZ
A-58	FELITSYN Evan 1 4	PREVOST Hayden	0 - 10	0:22	WIP
A-62	MADILL Max 2 3	MOLSKI Matthew	0 - 10	0:28	IPO

## Competitors B

#	Name	Grade	Club	5	6	7	Wins	Pts	Pos
5	VAN ZYL Martinus	Blue	Hart	XX			0	0	3
6	KEIRN Lachlan	Green	Creston	10	XX	10	2	20	1
7	RITSON Julian	Green-Blue	Mile Zero	10		XX	1	10	2

## Matches B

Match	White	Blue	Result	Time	Code
A-47	VAN ZYL Martinus 5 6	KEIRN Lachlan	0 - 10	0:18	IPO
A-56	VAN ZYL Martinus 5 7	RITSON Julian	0 - 10	0:27	WIP
A-64	KEIRN Lachlan 6 7	RITSON Julian	10 - 0	0:20	IPO



## Results

Pos	Name
1	White Rock, MOLSKI Matthew
2	Hart, PREVOST Hayden
3	Mile Zero, RITSON Julian
3	Creston, KEIRN Lachlan

# U16 Male +73kg

## Competitors

#	Name	Grade	Club	1	2	3	4	5	Wins	Pts	Pos
1	FERSHAU Asher	Orange-Green	Abbotsford	XX		10	10	10	3	30	2
2	GUEZILLE Suliac	Blue	Police Jr.	10	XX	10	10	10	4	40	1
3	PARK Sean	Orange	Kokushikai			XX	10	10	2	20	3
4	ILIC Nolan	Orange	Westsyde				XX		0	0	5
5	HARDER Ayden	Green	Prince George				10	XX	1	10	4

## Matches

Match	White	Blue	Result	Time	Code
1	ILIC Nolan	4 5 HARDER Ayden	0 - 10	0:33	IPO
2	FERSHAU Asher	1 2 GUEZILLE Suliac	0 - 10	1:13	WIP
3	PARK Sean	3 4 ILIC Nolan	10 - 0	0:29	WIP
4	FERSHAU Asher	1 5 HARDER Ayden	10 - 0	0:51	IPO
5	GUEZILLE Suliac	2 3 PARK Sean	10 - 0	0:22	IPO
6	FERSHAU Asher	1 4 ILIC Nolan	10 - 0	0:11	IPO
7	PARK Sean	3 5 HARDER Ayden	10 - 0	0:25	IPO
8	GUEZILLE Suliac	2 4 ILIC Nolan	10 - 0	0:18	WIP
9	FERSHAU Asher	1 3 PARK Sean	10 - 0	0:30	IPO
10	GUEZILLE Suliac	2 5 HARDER Ayden	10 - 0	1:56	WIP

## Results

Pos	Name
1	Police Jr., GUEZILLE Suliac
2	Abbotsford, FERSHAU Asher
3	Kokushikai, PARK Sean
4	Prince George, HARDER Ayden

# U18 Female -48kg

## Competitors

#	Name	Grade	Club	1	2	3	4	5	Wins	Pts	Pos
1	ZHANG Liwen	Green	Police Jr.	XX					0	0	5
2	SHEEHAN Abigail	Blue	Campbell River	5	XX			10	2	15	3
3	SANZANA Dakota	Blue	Nanaimo	5	10	XX	10	10	4	35	1
4	DANILKOV Ekaterina	Brown	Steveston	10	10		XX	10	3	30	2
5	ESPARBES Kylee	Blue	Steveston	5				XX	1	5	4

## Matches

Match	White			Blue	Result	Time	Code
A-34	<b>DANILKOV Ekaterina</b>	4	5	ESPARBES Kylee	10 - 0	2:49	IPO
A-36	ZHANG Liwen	1	2	<b>SHEEHAN Abigail</b>	0 - 5	4:00	WAZ
A-38	<b>SANZANA Dakota</b>	3	4	DANILKOV Ekaterina	10 - 0	2:39	IPO
A-43	ZHANG Liwen	1	5	<b>ESPARBES Kylee</b>	0 - 5	8:27	GSW
A-45	SHEEHAN Abigail	2	3	<b>SANZANA Dakota</b>	0 - 10	1:18	IPO
A-47	ZHANG Liwen	1	4	<b>DANILKOV Ekaterina</b>	0 - 10	0:43	WIP
A-52	<b>SANZANA Dakota</b>	3	5	ESPARBES Kylee	10 - 0	1:44	WIP
A-54	SHEEHAN Abigail	2	4	<b>DANILKOV Ekaterina</b>	0 - 10	1:20	WIP
A-56	ZHANG Liwen	1	3	<b>SANZANA Dakota</b>	0 - 5	4:00	WAZ
A-59	<b>SHEEHAN Abigail</b>	2	5	ESPARBES Kylee	10 - 0	4:35	GSI

## Results

Pos	Name
1	Nanaimo, SANZANA Dakota
2	Steveston, DANILKOV Ekaterina
3	Campbell River, SHEEHAN Abigail
4	Steveston, ESPARBES Kylee

# U18 Female -57kg

## Competitors

#	Name	Grade	Club	1	2	3	4	5	Wins	Pts	Pos
1	KO Hailey	Brown	Burnaby	XX			10		1	10	4
2	DANILKOV Klavdia	Shodan	Steveston	10	XX	10	10	10	4	40	1
3	GREENE Isabella	Brown	Nanaimo	5		XX	10		2	15	3
4	ROTBART Nova	Blue	Burnaby				XX		0	0	5
5	LOLIEVA Rakiia	Brown	Burnaby	10		10	10	XX	3	30	2

## Matches

Match	White			Blue	Result	Time	Code
A-33	ROTBART Nova	4	5	LOLIEVA Rakiia	0 - 10	3:34	WIP
A-35	KO Hailey	1	2	DANILKOV Klavdia	0 - 10	2:49	IPO
A-37	GREENE Isabella	3	4	ROTBART Nova	10 - 0	3:56	WIP
A-42	KO Hailey	1	5	LOLIEVA Rakiia	0 - 10	1:32	IPO
A-44	DANILKOV Klavdia	2	3	GREENE Isabella	10 - 0	2:12	IPO
A-46	KO Hailey	1	4	ROTBART Nova	10 - 0	0:59	WIP
A-51	GREENE Isabella	3	5	LOLIEVA Rakiia	0 - 10	0:44	WIP
A-53	DANILKOV Klavdia	2	4	ROTBART Nova	10 - 0	3:12	WIP
A-55	KO Hailey	1	3	GREENE Isabella	0 - 5	4:00	WAZ
A-58	DANILKOV Klavdia	2	5	LOLIEVA Rakiia	10 - 0	2:46	WIP

## Results

Pos	Name
1	Steveston, DANILKOV Klavdia
2	Burnaby, LOLIEVA Rakiia
3	Nanaimo, GREENE Isabella
4	Burnaby, KO Hailey

# U18 Female -63kg

## Competitors A

#	Name	Grade	Club	1	2	3	Wins	Pts	Pos
1	TAI Sarah	Green	Champion	XX			0	0	3
2	MORISHO Nyota	Brown	Victoria	10	XX	10	2	20	1
3	MOORE Tula	Brown	Hart	10		XX	1	10	2

## Matches A

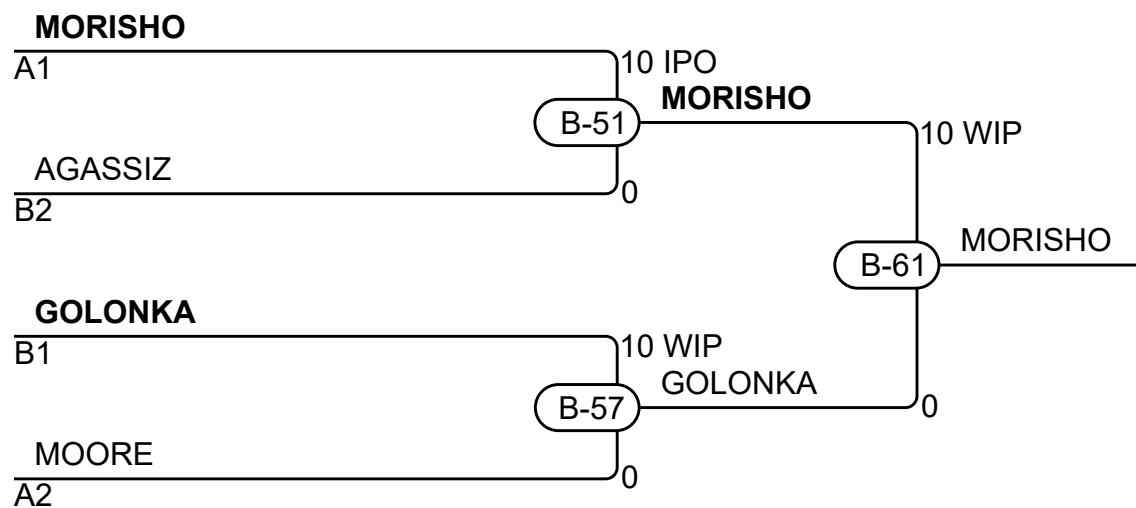
Match	White	Blue	Result	Time	Code
B-33	TAI Sarah 1 2	MORISHO Nyota	0 - 10	0:17	IPO
B-36	TAI Sarah 1 3	MOORE Tula	0 - 10	1:09	WIP
B-44	MORISHO Nyota 2 3	MOORE Tula	10 - 0	0:38	WIP

## Competitors B

#	Name	Grade	Club	4	5	6	Wins	Pts	Pos
4	AGASSIZ Kaylin	Blue	Abbotsford	XX	10		1	10	2
5	LIAKOS Maria	Blue	Steveston		XX		0	0	3
6	GOLONKA Tara	Brown	Victoria	10	10	XX	2	20	1

## Matches B

Match	White	Blue	Result	Time	Code
B-34	AGASSIZ Kaylin 4 5	LIAKOS Maria	10 - 0	0:46	IPO
B-42	AGASSIZ Kaylin 4 6	GOLONKA Tara	0 - 10	0:32	WIP
B-46	LIAKOS Maria 5 6	GOLONKA Tara	0 - 10	0:12	IPO



## Results

Pos	Name
1	Victoria, MORISHO Nyota
2	Victoria, GOLONKA Tara
3	Abbotsford, AGASSIZ Kaylin
3	Hart, MOORE Tula

# U18 Female +70kg

## Competitors

#	Name	Grade	Club	1	2	3	Wins	Pts	Pos
1	WEBB Dakota	Blue	Kokushikai	XX			0	0	3
2	SINCLAIR Maggie	Green	Aberdeen	5	XX		1	5	2
3	LUND Tianna	Brown	Campbell River	10	10	XX	2	20	1

## Matches

Match	White		Blue		Result	Time	Code
B-39	WEBB Dakota	1	2	SINCLAIR Maggie	0 - 5	4:00	WAZ
B-49	WEBB Dakota	1	3	LUND Tianna	0 - 10	0:24	WIP
B-64	SINCLAIR Maggie	2	3	LUND Tianna	0 - 10	0:50	WIP

## Results

Pos	Name
1	Campbell River, LUND Tianna
2	Aberdeen, SINCLAIR Maggie

# U18 Male -46kg

## Competitors

#	Name	Grade	Club	1	2	1	2	1	2	Wins	Pts	Pos
1	HILMAN Corbin	Blue	Prince George	XX		XX		XX		0	0	2
2	VELONAS Peter	Blue	Abbotsford	10	XX	10	XX		XX	2	20	1

## Matches

Match	White			Blue	Result	Time	Code
A-40	HILMAN Corbin	1	2	<b>VELONAS Peter</b>	0 - 10	2:37	WIP
A-49	<b>VELONAS Peter</b>	2	1	HILMAN Corbin	10 - 0	2:37	IPO
A-60	HILMAN Corbin	1	2	VELONAS Peter			

## Results

Pos	Name
1	Abbotsford, VELONAS Peter

# U18 Male -50kg

## Competitors

#	Name	Grade	Club	1	2	3	Wins	Pts	Pos
1	COMLEY Kiyoshi	Green	Vernon	XX	10	10	2	20	1
2	SINCLAIR Benjamin	Green	Aberdeen		XX		0	0	3
3	ANTOSH Ryan	Green	Port Coquitlam		10	XX	1	10	2

## Matches

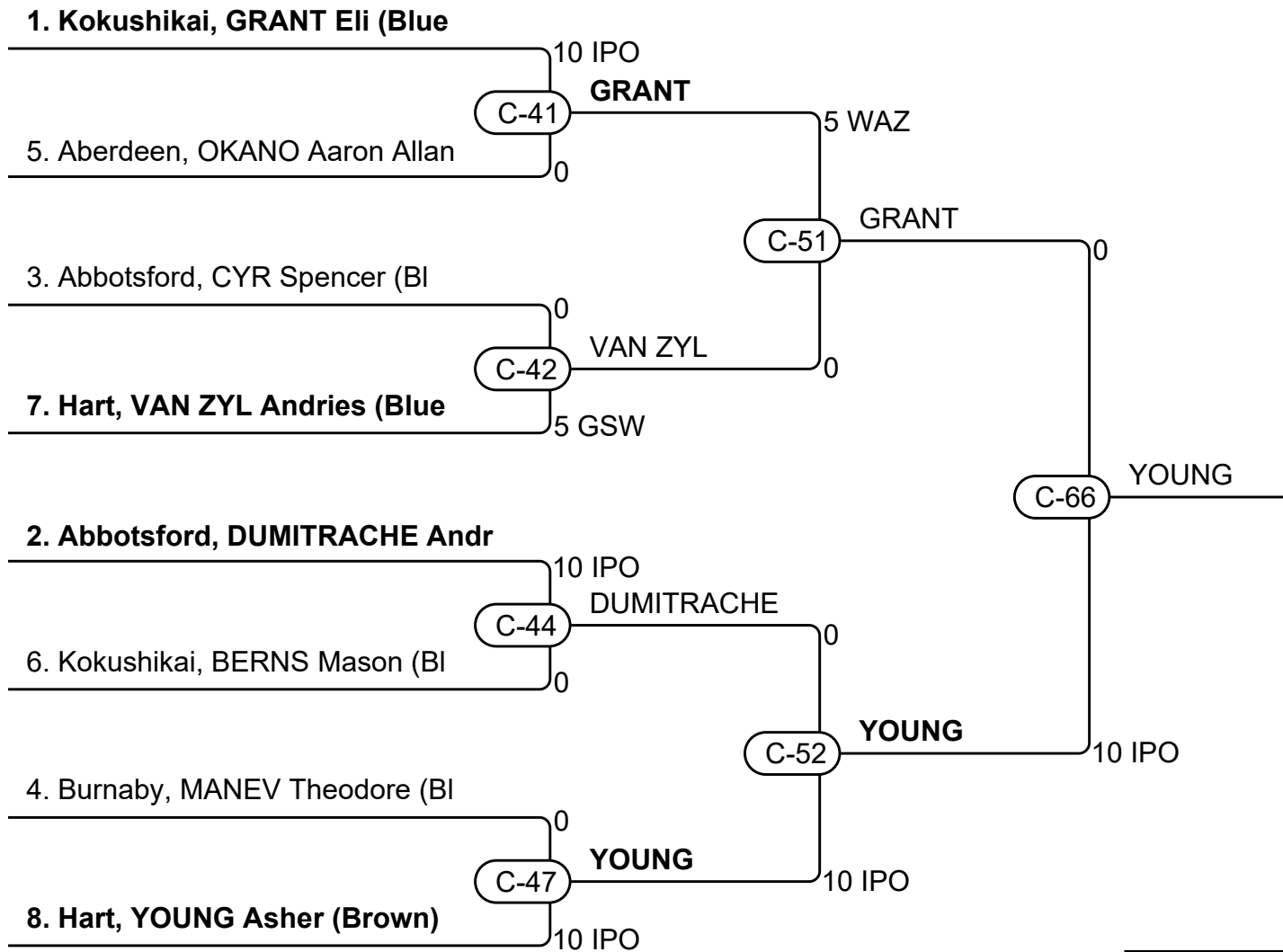
Match	White			Blue	Result	Time	Code
A-39	<b>COMLEY Kiyoshi</b>	1	2	SINCLAIR Benjamin	10 - 0	0:41	IPO
A-48	<b>COMLEY Kiyoshi</b>	1	3	ANTOSH Ryan	10 - 0	0:53	WIP
D-73	SINCLAIR Benjamin	2	3	<b>ANTOSH Ryan</b>	0 - 10	0:27	IPO

## Results

Pos	Name
1	Vernon, COMLEY Kiyoshi
2	Port Coquitlam, ANTOSH Ryan

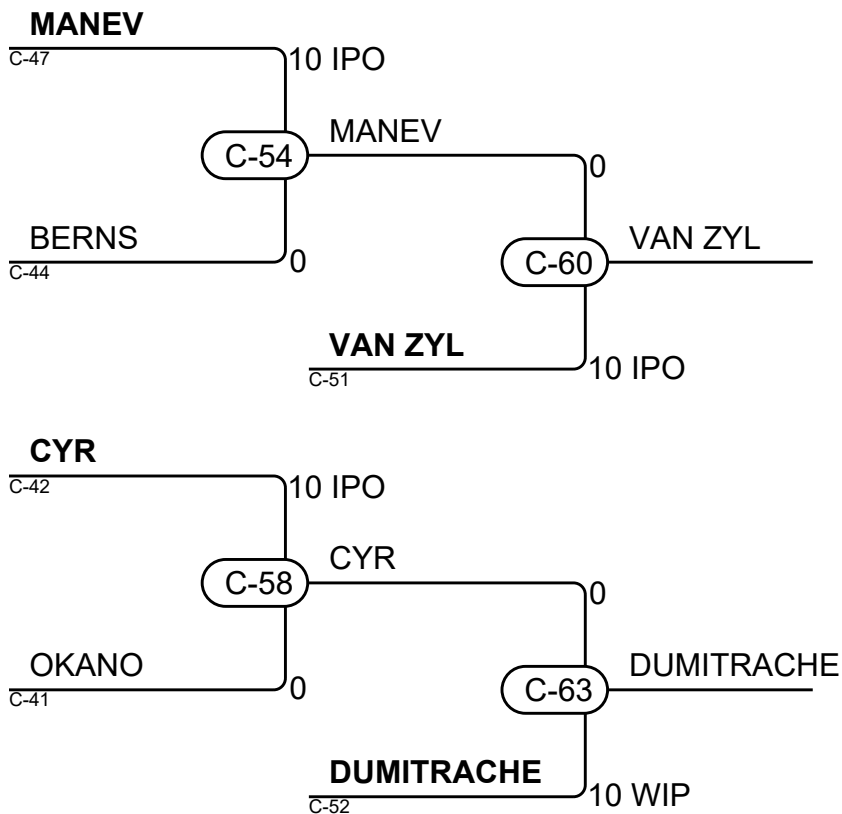


# U18 Male -55kg



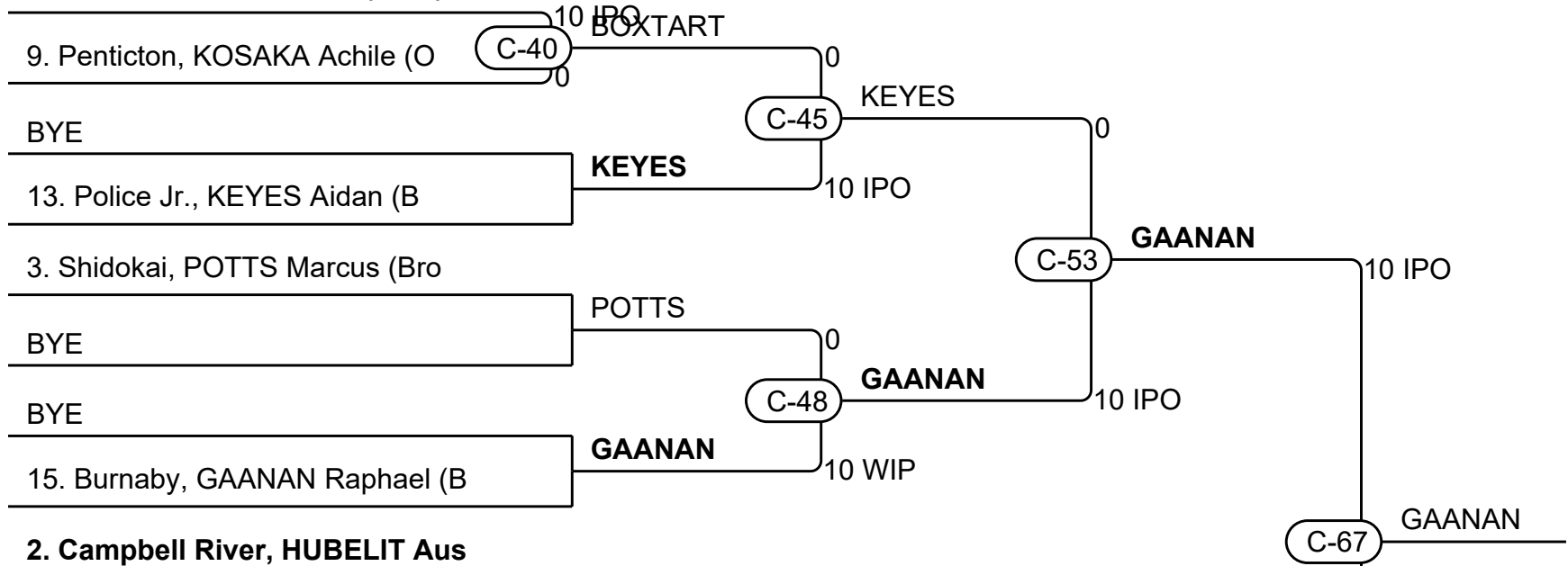
## Results

Pos	Name
1	Hart, YOUNG Asher
2	Kokushikai, GRANT Eli
3	Hart, VAN ZYL Andries
3	Abbotsford, DUMITRACHE And

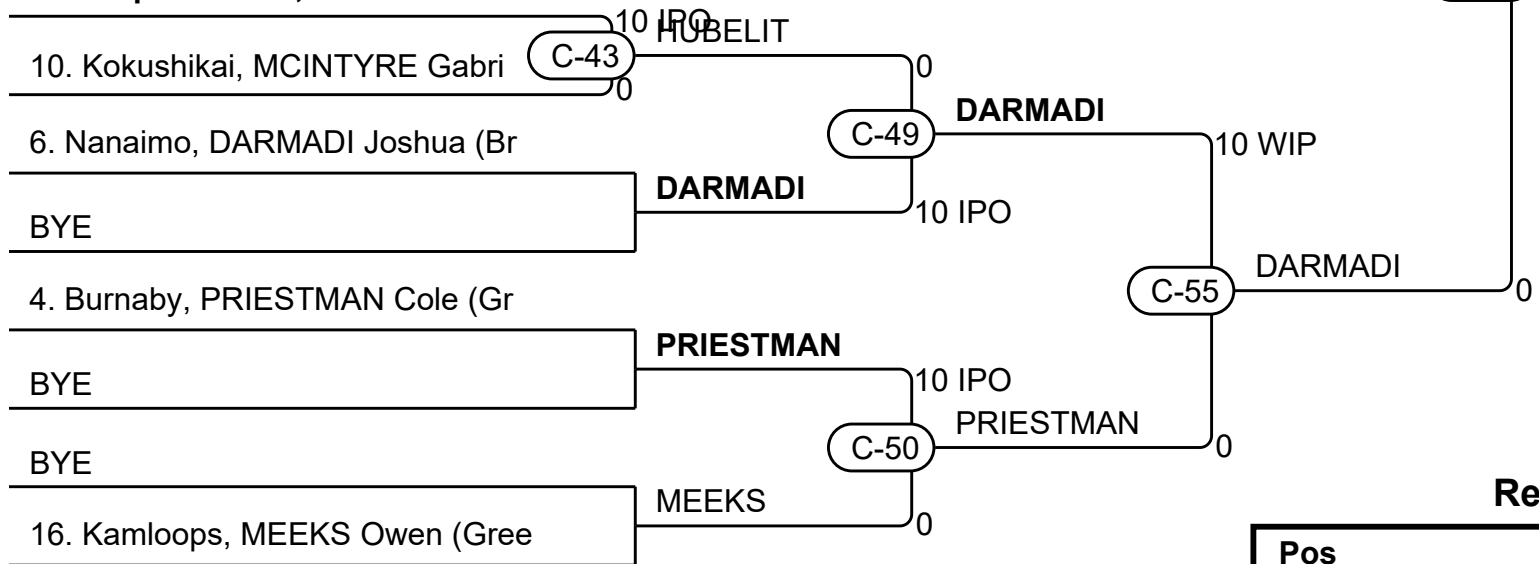


# U18 Male -60kg

## 1. Hart, BOXTART Ethan (Blue)

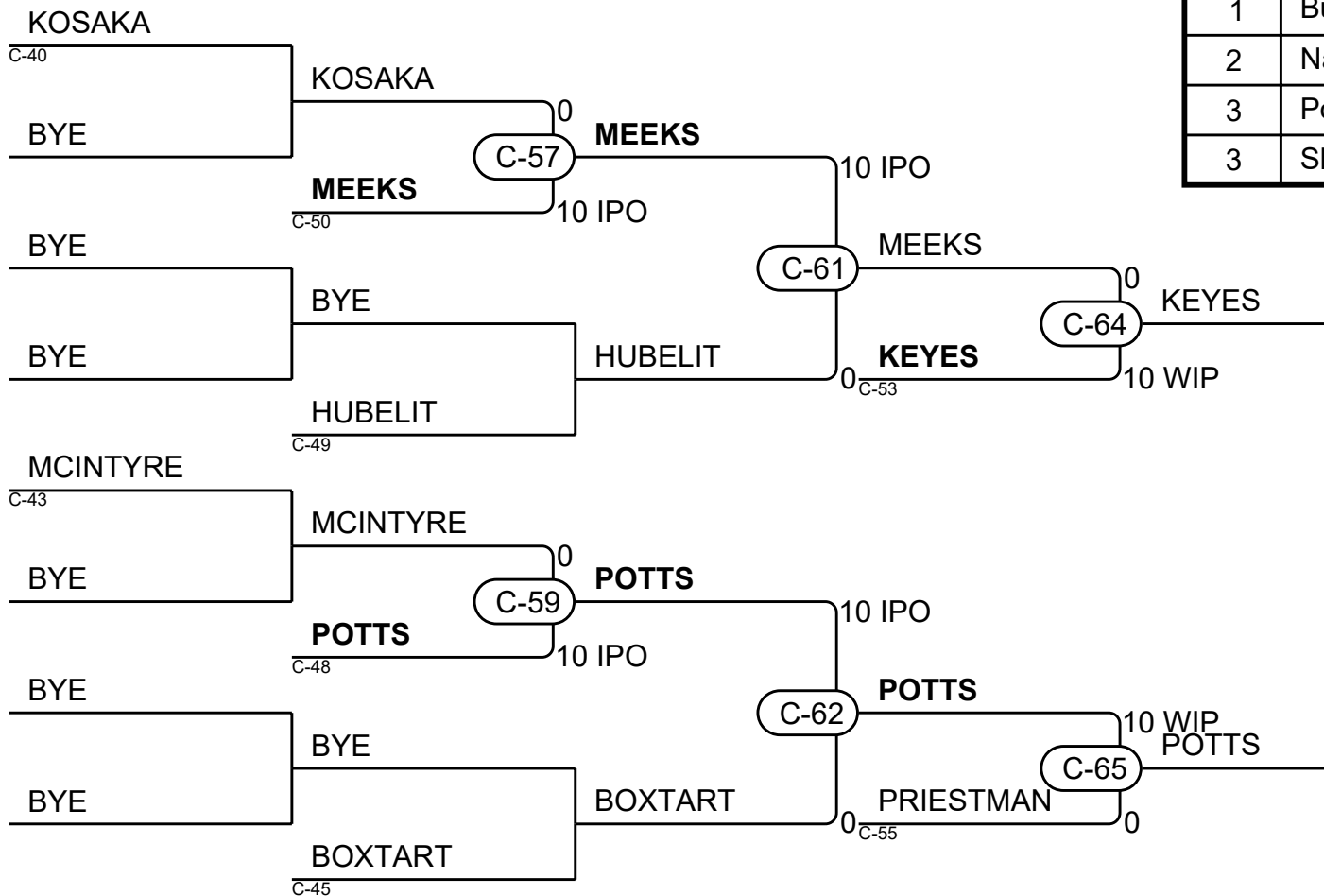


## 2. Campbell River, HUBELIT Aus



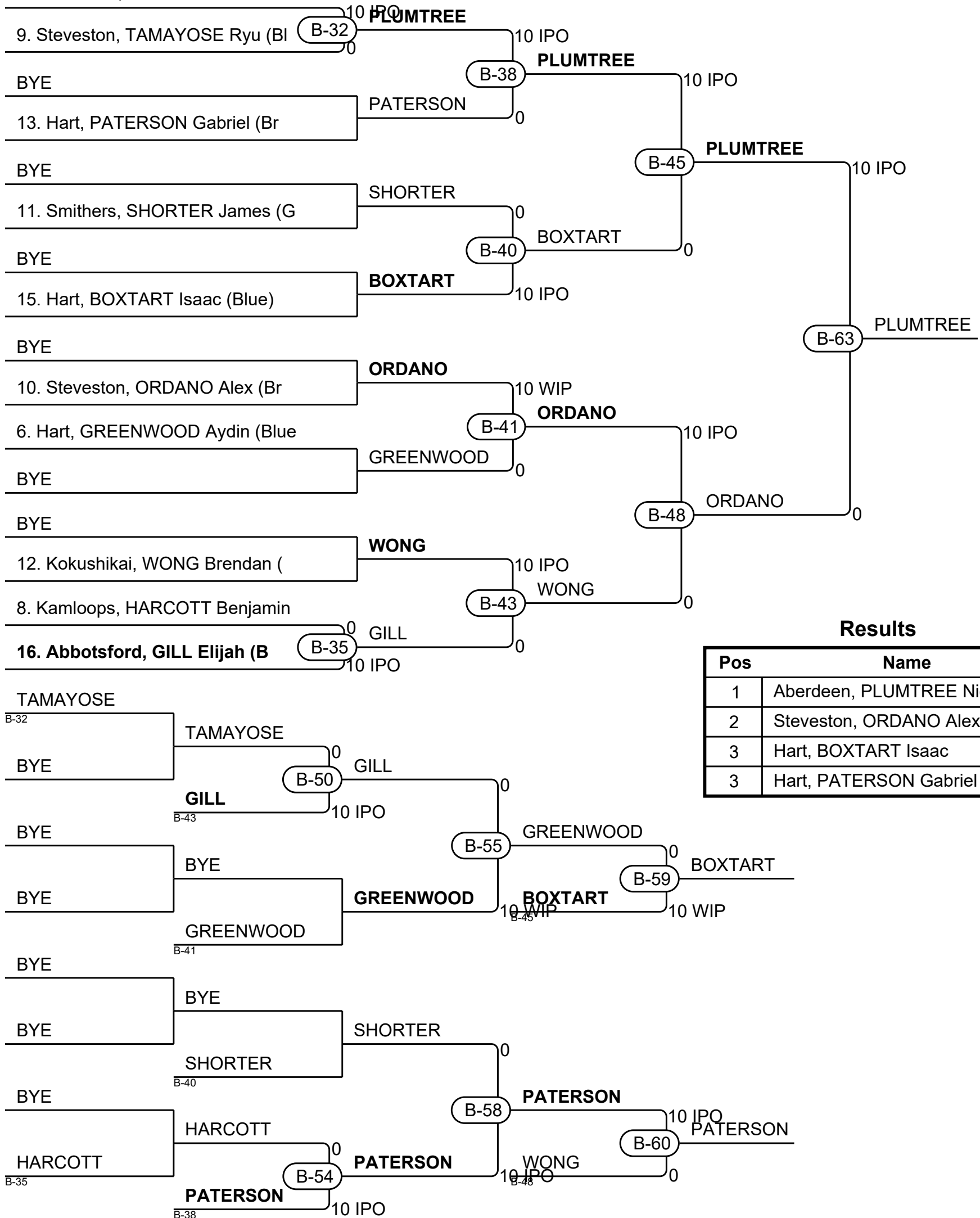
## Results

Pos	Name
1	Burnaby, GAANAN Raphael
2	Nanaimo, DARMADI Joshua
3	Police Jr., KEYES Aidan
3	Shidokai, POTTS Marcus



# U18 Male -66kg

## 1. Aberdeen, PLUMTREE Nicholas



# U18 Male -73kg

## Competitors

#	Name	Grade	Club	1	2	3	Wins	Pts	Pos
1	PELCHAT-HENRI Tristan	Blue	Williams Lake	XX		10	1	10	2
2	RICHARDSON Kai	Brown	Williams Lake	10	XX	10	2	20	1
3	MICHALUK Alexander	Blue	Shidokai			XX	0	0	3

## Matches

Match	White			Blue	Result	Time	Code
A-41	PELCHAT-HENRI Tristan	1	2	RICHARDSON Kai	0 - 10	0:10	IPO
A-50	PELCHAT-HENRI Tristan	1	3	MICHALUK Alexander	10 - 0	0:11	IPO
D-72	RICHARDSON Kai	2	3	MICHALUK Alexander	10 - 0	0:54	IPO

## Results

Pos	Name
1	Williams Lake, RICHARDSON Kai
2	Williams Lake, PELCHAT-HENRI Tristan

# U18 Male -81kg

## Competitors

#	Name	Grade	Club	1	2	3	Wins	Pts	Pos
1	AUCH Wyatt	Brown	Lake Country	XX	10		1	10	2
2	HUIJBREGTS Arun	Green	Kokushikai		XX		0	0	3
3	GRUNEWALD Lukas	Brown	Kamloops	10	10	XX	2	20	1

## Matches

Match	White			Blue	Result	Time	Code
B-37	<b>AUCH Wyatt</b>	1	2	HUIJBREGTS Arun	10 - 0	1:06	IPO
B-47	AUCH Wyatt	1	3	<b>GRUNEWALD Lukas</b>	0 - 10	0:32	IPO
B-62	HUIJBREGTS Arun	2	3	<b>GRUNEWALD Lukas</b>	0 - 10	0:00	KIK

## Results

Pos	Name
1	Kamloops, GRUNEWALD Lukas
2	Lake Country, AUCH Wyatt

# U18 Male +81kg

## Competitors

#	Name	Grade	Club	1	2	3	Wins	Pts	Pos
1	NETTLES Dashiell	Green	Kamloops	XX			0	0	3
2	JING Pierce	Brown	Steveston	10	XX	10	2	20	1
3	SESSA Layne	Green	Revelstoke	10		XX	1	10	2

## Matches

Match	White			Blue	Result	Time	Code
C-46	NETTLES Dashiell	1	2	JING Pierce	0 - 10	1:00	WIP
C-56	NETTLES Dashiell	1	3	SESSA Layne	0 - 10	1:04	IPO
C-68	JING Pierce	2	3	SESSA Layne	10 - 0	1:31	IPO

## Results

Pos	Name
1	Steveston, JING Pierce
2	Revelstoke, SESSA Layne

# U21 -81kg Tie

## Competitors

#	Name	Grade	Club	1	2	3	Wins	Pts	Pos
1	GAUW Jaden	Shodan	Burnaby	XX	10	10	2	20	1
2	ORDANO Dylan	Shodan	Steveston		XX		0	0	3
3	YOUNG Lochlan	Shodan	Hart		10	XX	1	10	2

## Matches

Match	White			Blue	Result	Time	Code
B-3	<b>GAUW Jaden</b>	1	2	ORDANO Dylan	10 - 0	1:13	IPO
B-4	<b>GAUW Jaden</b>	1	3	YOUNG Lochlan	10 - 0	1:14	WIP
B-6	ORDANO Dylan	2	3	<b>YOUNG Lochlan</b>	0 - 10	1:20	WIP

## Results

Pos	Name
1	Burnaby, GAUW Jaden
2	Hart, YOUNG Lochlan

# U21 Female -52kg

## Competitors

#	Name	Grade	Club	1	2	3	4	Wins	Pts	Pos
1	HINTON Launa	Shodan	Abbotsford	XX	10	10		2	20	2
2	LOLIEVA Rakiia	Brown	Burnaby		XX	10	5	2	15	3
3	CORBETT Brooke	Brown	Hart			XX		0	0	4
4	GOTO Tami	Shodan	Prince George	10		10	XX	2	20	1

## Matches

Match	White			Blue	Result	Time	Code
B-7	<b>HINTON Launa</b>	1	2	LOLIEVA Rakiia	10 - 0	4:14	GSI
B-17	CORBETT Brooke	3	4	<b>GOTO Tami</b>	0 - 10	3:48	IPO
B-31	<b>HINTON Launa</b>	1	3	CORBETT Brooke	10 - 0	0:08	IPO
B-41	<b>LOLIEVA Rakiia</b>	2	4	GOTO Tami	5 - 0	6:44	GSW
B-57	HINTON Launa	1	4	<b>GOTO Tami</b>	0 - 10	2:13	WIP
B-69	<b>LOLIEVA Rakiia</b>	2	3	CORBETT Brooke	10 - 0	0:52	IPO

## Results

Pos	Name
1	Prince George, GOTO Tami
2	Abbotsford, HINTON Launa
3	Burnaby, LOLIEVA Rakiia



# U21 Female -57kg

## Competitors A

#	Name	Grade	Club	1	2	3	Wins	Pts	Pos
1	KURAMOTO Caleigh	Shodan	Steveston	XX	10	10	2	20	1
2	KO Hailey	Brown	Burnaby		XX		0	0	3
3	COMEAU Karissa	Shodan	Abbotsford		10	XX	1	10	2

## Matches A

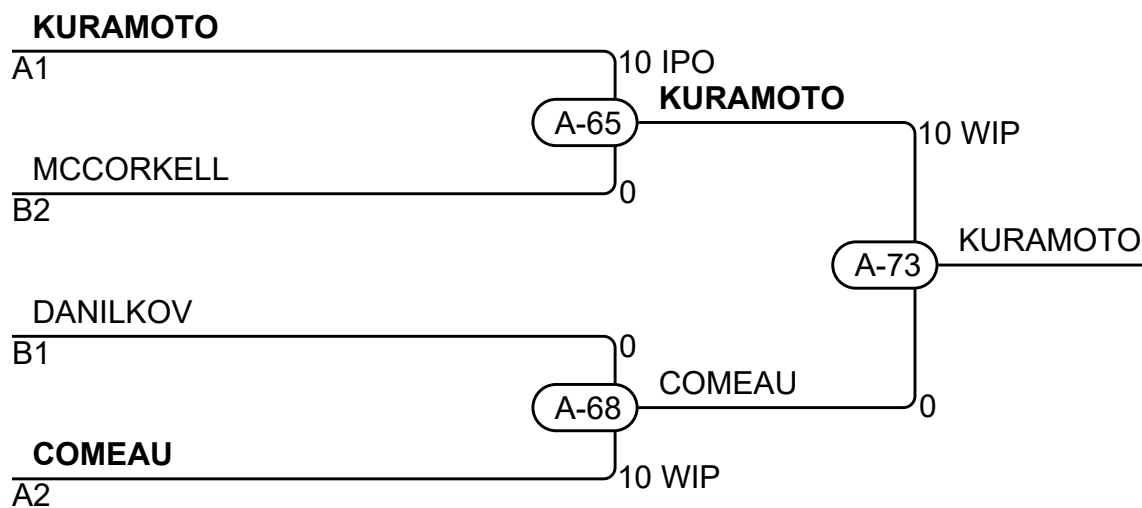
Match	White	Blue	Result	Time	Code
A-43	KURAMOTO Caleigh 1 2	KO Hailey	10 - 0	2:04	IPO
A-50	KURAMOTO Caleigh 1 3	COMEAU Karissa	10 - 0	3:01	HAN
A-57	KO Hailey 2 3	COMEAU Karissa	0 - 10	1:06	WIP

## Competitors B

#	Name	Grade	Club	4	5	6	Wins	Pts	Pos
4	MCCORKELL Sienna	Blue	Mile Zero	XX	10		1	10	2
5	GREENE Isabella	Brown	Nanaimo		XX		0	0	3
6	DANILKOV Klavdia	Shodan	Steveston	10	10	XX	2	20	1

## Matches B

Match	White	Blue	Result	Time	Code
A-46	MCCORKELL Sienna 4 5	GREENE Isabella	10 - 0	0:34	WIP
A-54	MCCORKELL Sienna 4 6	DANILKOV Klavdia	0 - 10	0:49	IPO
A-61	GREENE Isabella 5 6	DANILKOV Klavdia	0 - 10	0:16	IPO



## Results

Pos	Name
1	Steveston, KURAMOTO Caleigh
2	Abbotsford, COMEAU Karissa
3	Mile Zero, MCCORKELL Sienna
3	Steveston, DANILKOV Klavdia

# U21 Female -70kg

## Competitors

#	Name	Grade	Club	1	2	3	4	Wins	Pts	Pos
1	MORISHO Nyota	Brown	Victoria	XX	10	10	10	3	30	1
2	MOORE Tula	Brown	Hart		XX	10		1	10	3
3	LOWENSTEIN Jade	Blue	Penticton			XX		0	0	4
4	LUND Tianna	Brown	Campbell River		10	10	XX	2	20	2

## Matches

Match	White			Blue	Result	Time	Code
C-7	<b>MORISHO Nyota</b>	1	2	MOORE Tula	10 - 0	0:32	IPO
C-19	LOWENSTEIN Jade	3	4	<b>LUND Tianna</b>	0 - 10	2:08	WIP
C-34	<b>MORISHO Nyota</b>	1	3	LOWENSTEIN Jade	10 - 0	0:41	IPO
C-46	MOORE Tula	2	4	<b>LUND Tianna</b>	0 - 10	3:00	WIP
C-57	<b>MORISHO Nyota</b>	1	4	LUND Tianna	10 - 0	0:36	WIP
C-75	<b>MOORE Tula</b>	2	3	LOWENSTEIN Jade	10 - 0	2:33	IPO

## Results

Pos	Name
1	Victoria, MORISHO Nyota
2	Campbell River, LUND Tianna
3	Hart, MOORE Tula

# U21 Male -100kg

## Competitors

#	Name	Grade	Club	1	2	3	Wins	Pts	Pos
1	POLLON Dryden	Brown	Kamloops	XX	10	10	2	20	1
2	NETTLES Dashiell	Green	Kamloops		XX		0	0	3
3	JING Pierce	Brown	Steveston		10	XX	1	10	2

## Matches

Match	White			Blue	Result	Time	Code
B-21	<b>POLLON Dryden</b>	1	2	NETTLES Dashiell	10 - 0	0:29	IPO
B-45	<b>POLLON Dryden</b>	1	3	JING Pierce	10 - 0	0:36	IPO
B-74	NETTLES Dashiell	2	3	<b>JING Pierce</b>	0 - 10	0:38	IPO

## Results

Pos	Name
1	Kamloops, POLLON Dryden
2	Steveston, JING Pierce

# U21 Male -55kg

## Competitors

#	Name	Grade	Club	1	2	3	Wins	Pts	Pos
1	VAN ZYL Andries	Blue	Hart	XX	10		1	10	2
2	VAN ZYL Andries	Blue	Hart		XX		0	0	3
3	GRANT Eli	Blue	Kokushikai	10	10	XX	2	20	1

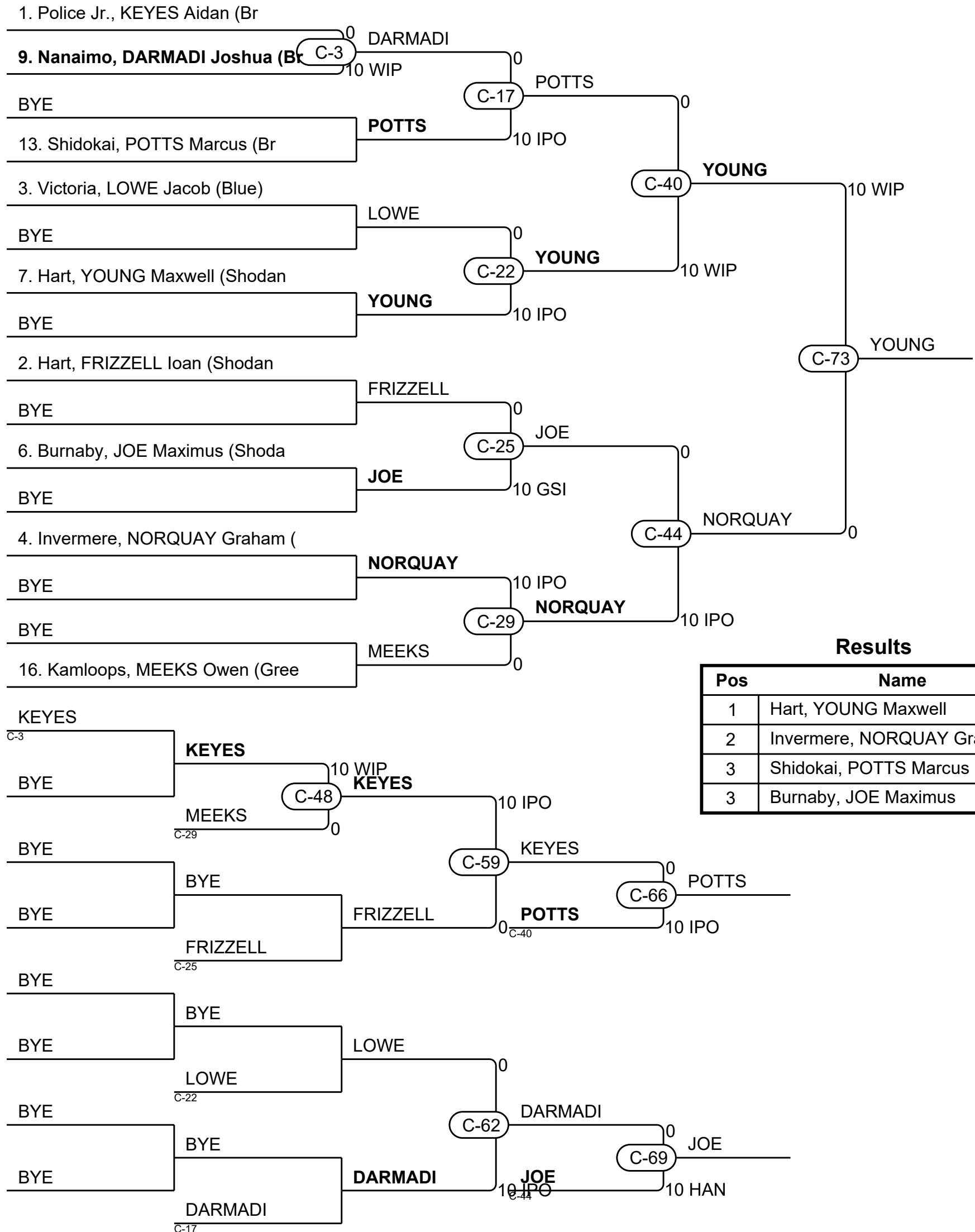
## Matches

Match	White			Blue	Result	Time	Code
1	<b>VAN ZYL Andries</b>	1	2	VAN ZYL Andries	10 - 0	2:10	WIP
2	VAN ZYL Andries	1	3	<b>GRANT Eli</b>	0 - 10	1:08	IPO
3	VAN ZYL Andries	2	3	<b>GRANT Eli</b>	0 - 10	2:20	IPO

## Results

Pos	Name
1	Kokushikai, GRANT Eli
2	Hart, VAN ZYL Andries

# U21 Male -60kg



## Results

Pos	Name
1	Hart, YOUNG Maxwell
2	Invermere, NORQUAY Graham
3	Shidokai, POTTTS Marcus
3	Burnaby, JOE Maximus

# U21 Male -66kg

## Competitors A

#	Name	Grade	Club	1	2	3	4	Wins	Pts	Pos
1	HARCOTT Benjamin	Green	Kamloops	XX				0	0	4
2	ORDANO Alex	Brown	Steveston	10	XX			1	10	3
3	PLUMTREE Nicholas	Brown	Aberdeen	10	10	XX	10	3	30	1
4	GUBBINS Billy	Brown	Victoria	10	10		XX	2	20	2

## Matches A

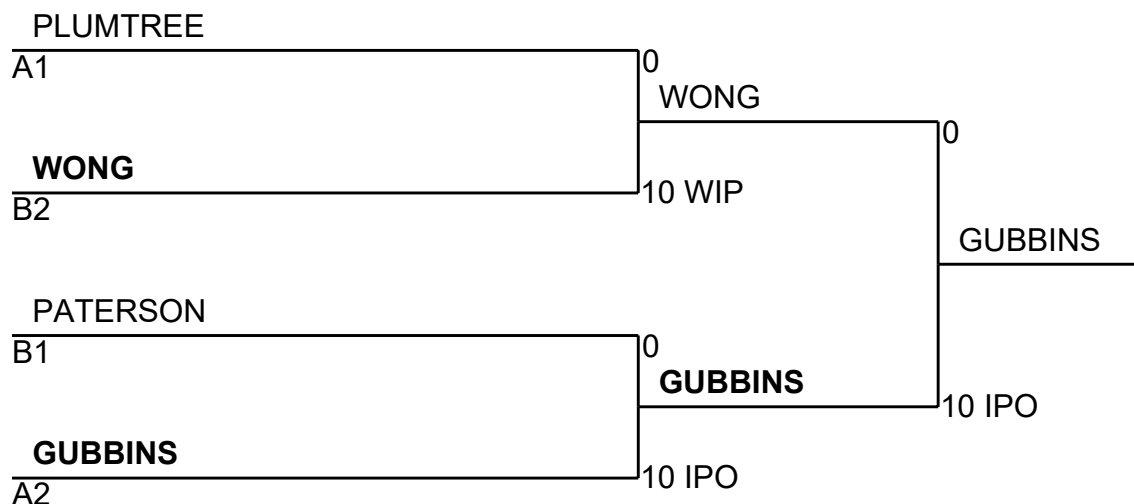
Match	White	Blue	Result	Time	Code
1	HARCOTT Benjamin 1 2	ORDANO Alex	0 - 10	0:39	IPO
2	PLUMTREE Nicholas 3 4	GUBBINS Billy	10 - 0	2:20	IPO
4	HARCOTT Benjamin 1 3	PLUMTREE Nicholas	0 - 10	0:18	WIP
5	ORDANO Alex 2 4	GUBBINS Billy	0 - 10	3:24	WIP
7	HARCOTT Benjamin 1 4	GUBBINS Billy	0 - 10	0:27	WIP
8	ORDANO Alex 2 3	PLUMTREE Nicholas	0 - 10	0:30	IPO

## Competitors B

#	Name	Grade	Club	5	6	7	Wins	Pts	Pos
5	PATERSON Gabriel	Brown	Hart	XX	10	10	2	20	1
6	WONG Brendan	Blue	Kokushikai		XX	10	1	10	2
7	LEATHERDALE Benjamin	Shodan	Kelowna			XX	0	0	3

## Matches B

Match	White	Blue	Result	Time	Code
3	PATERSON Gabriel 5 6	WONG Brendan	10 - 0	1:37	WIP
6	PATERSON Gabriel 5 7	LEATHERDALE Benjamin	10 - 0	3:12	IPO
9	WONG Brendan 6 7	LEATHERDALE Benjamin	10 - 0	0:50	IPO



## Results

Pos	Name
1	Victoria, GUBBINS Billy
2	Kokushikai, WONG Brendan
3	Aberdeen, PLUMTREE Nicholas
3	Hart, PATERSON Gabriel

# U21 Male -73kg

## Competitors

#	Name	Grade	Club	1	2	3	4	5	Wins	Pts	Pos
1	GREENWOOD Davin	Shodan	Hart	XX				10	1	10	4
2	GOLE Jacob	Brown	Campbell River	10	XX			10	2	20	3
3	BRADLEY Jackson	Shodan	Steveston	10	10	XX	10	10	4	40	1
4	RICHARDSON Kai	Brown	Williams Lake	10	10		XX	10	3	30	2
5	PELCHAT-HENRI Tristan	Blue	Williams Lake					XX	0	0	5

## Matches

Match	White			Blue	Result	Time	Code
A-42	<b>RICHARDSON Kai</b>	4	5	PELCHAT-HENRI Tristan	10 - 0	0:32	IPO
A-45	GREENWOOD Davin	1	2	<b>GOLE Jacob</b>	0 - 10	2:16	IPO
A-48	<b>BRADLEY Jackson</b>	3	4	RICHARDSON Kai	10 - 0	0:20	IPO
A-52	<b>GREENWOOD Davin</b>	1	5	PELCHAT-HENRI Tristan	10 - 0	1:21	WIP
A-55	GOLE Jacob	2	3	<b>BRADLEY Jackson</b>	0 - 10	1:48	IPO
A-59	GREENWOOD Davin	1	4	<b>RICHARDSON Kai</b>	0 - 10	2:33	WIP
A-63	<b>BRADLEY Jackson</b>	3	5	PELCHAT-HENRI Tristan	10 - 0	1:05	IPO
A-66	GOLE Jacob	2	4	<b>RICHARDSON Kai</b>	0 - 10	0:40	IPO
A-69	GREENWOOD Davin	1	3	<b>BRADLEY Jackson</b>	0 - 10	0:38	IPO
A-72	<b>GOLE Jacob</b>	2	5	PELCHAT-HENRI Tristan	10 - 0	1:16	WIP

## Results

Pos	Name
1	Steveston, BRADLEY Jackson
2	Williams Lake, RICHARDSON Kai
3	Campbell River, GOLE Jacob
4	Hart, GREENWOOD Davin

# U21 Male -81kg

## Competitors

#	Name	Grade	Club	1	2	3	Wins	Pts	Pos
1	YOUNG Lochlan	Shodan	Hart	XX		10	1	10	3
2	GAUW Jaden	Shodan	Burnaby	10	XX		1	10	2
3	ORDANO Dylan	Shodan	Steveston		10	XX	1	10	1

## Matches

Match	White		Blue		Result	Time	Code
B-18	YOUNG Lochlan	1	2	GAUW Jaden	0 - 10	0:18	IPO
B-42	YOUNG Lochlan	1	3	ORDANO Dylan	10 - 0	0:33	IPO
B-71	GAUW Jaden	2	3	ORDANO Dylan	0 - 10	0:00	FUS

## Results

Pos	Name
1	Steveston, ORDANO Dylan
1	Burnaby, GAUW Jaden
1	Hart, YOUNG Lochlan



# U21&Sr(M)Ne-Waza Lit-73kg

## Competitors A

#	Name	Grade	Club	1	2	3	Wins	Pts	Pos
1	JOE Maximus	Shodan	Burnaby	XX	4	2	2	6	1
2	GOLE Jacob	Brown	Campbell River		XX	20	1	20	2
3	GUBBINS Billy	Brown	Victoria			XX	0	0	3

## Matches A

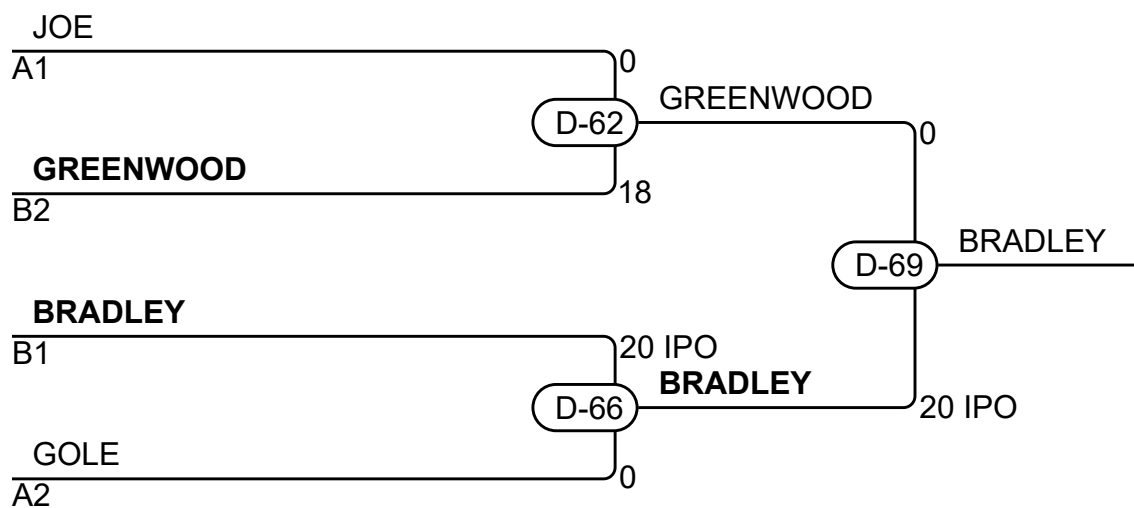
Match	White	Blue	Result	Time	Code
D-40	JOE Maximus 1 2	GOLE Jacob	4 - 0	4:29	
D-47	JOE Maximus 1 3	GUBBINS Billy	2 - 0	3:00	
D-56	GOLE Jacob 2 3	GUBBINS Billy	20 - 0	4:15	GSI

## Competitors B

#	Name	Grade	Club	4	5	6	Wins	Pts	Pos
4	BRADLEY Jackson	Shodan	Steveston	XX	16	12	2	28	1
5	GREENWOOD Davin	Shodan	Hart		XX	20	1	20	2
6	NORQUAY Graham	Shodan	Invermere			XX	0	0	3

## Matches B

Match	White	Blue	Result	Time	Code
D-45	BRADLEY Jackson 4 5	GREENWOOD Davin	16 - 0	3:00	
D-51	BRADLEY Jackson 4 6	NORQUAY Graham	12 - 0	3:00	
D-58	GREENWOOD Davin 5 6	NORQUAY Graham	20 - 0	1:52	IPO



## Results

Pos	Name
1	Steveston, BRADLEY Jackson
2	Hart, GREENWOOD Davin
3	Burnaby, JOE Maximus
3	Campbell River, GOLE Jacob

# U21&Sr(M)Ne-Waza Med-90kg

## Competitors A

#	Name	Grade	Club	1	2	3	Wins	Pts	Pos
1	POLLON Dryden	Brown	Kamloops	XX		6	1	6	2
2	SMILEY Christopher	Nidan	Lake Country	20	XX	20	2	40	1
3	MARSHALL Brian	Blue	Williams Lake			XX	0	0	3

## Matches A

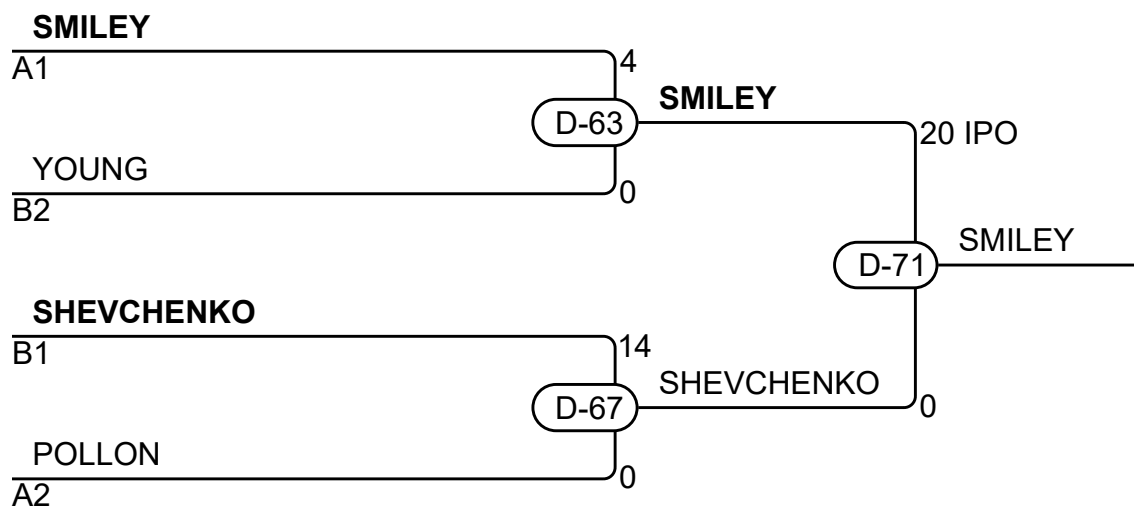
Match	White	Blue	Result	Time	Code
D-37	POLLON Dryden 1 2	SMILEY Christopher	0 - 20	2:55	IPO
D-42	POLLON Dryden 1 3	MARSHALL Brian	6 - 0	3:47	
D-52	SMILEY Christopher 2 3	MARSHALL Brian	20 - 0	0:48	IPO

## Competitors B

#	Name	Grade	Club	4	5	6	Wins	Pts	Pos
4	YOUNG Lochlan	Shodan	Hart	XX		6	1	6	2
5	SHEVCHENKO Taras	Brown	Champion	14	XX	20	2	34	1
6	ORDANO Dylan	Shodan	Steveston			XX	0	0	3

## Matches B

Match	White	Blue	Result	Time	Code
D-38	YOUNG Lochlan 4 5	SHEVCHENKO Taras	0 - 14	3:00	
D-43	YOUNG Lochlan 4 6	ORDANO Dylan	6 - 0	3:00	
D-53	SHEVCHENKO Taras 5 6	ORDANO Dylan	20 - 0	1:04	IPO



## Results

Pos	Name
1	Lake Country, SMILEY Christopher
2	Champion, SHEVCHENKO Taras
3	Hart, YOUNG Lochlan
3	Kamloops, POLLON Dryden

# U21&Sr(W)Ne-Waza Hvy+70kg

## Competitors

#	Name	Grade	Club	1	2	1	2	1	2	Wins	Pts	Pos
1	YUEN Jeannine	Nidan	Abbotsford	XX		XX		XX		0	0	2
2	HANKS Megan	Nidan	Aberdeen	20	XX	14	XX		XX	2	34	1

## Matches

Match	White			Blue	Result	Time	Code
D-49	YUEN Jeannine	1	2	<b>HANKS Megan</b>	0 - 20	2:48	IPO
D-60	<b>HANKS Megan</b>	2	1	YUEN Jeannine	14 - 0	3:00	
D-74	YUEN Jeannine	1	2	HANKS Megan			

## Results

Pos	Name
1	Aberdeen, HANKS Megan

# U21&Sr(W)Ne-Waza Lit-52kg

## Competitors

#	Name	Grade	Club	1	2	3	4	Wins	Pts	Pos
1	HINTON Launa	Shodan	Abbotsford	XX	12	20	6	3	38	1
2	TOMELDEN Jade	Orange	Abbotsford		XX			0	0	4
3	GELINAS Isabelle	Nidan	Mile Zero		20	XX	8	2	28	2
4	KURAMOTO Caleigh	Shodan	Steveston		14		XX	1	14	3

## Matches

Match	White			Blue	Result	Time	Code
D-41	<b>HINTON Launa</b>	1	2	TOMELDEN Jade	12 - 0	3:00	
D-48	<b>GELINAS Isabelle</b>	3	4	KURAMOTO Caleigh	8 - 0	3:00	
D-54	<b>HINTON Launa</b>	1	3	GELINAS Isabelle	20 - 0	1:45	IPO
D-59	TOMELDEN Jade	2	4	<b>KURAMOTO Caleigh</b>	0 - 14	3:00	
D-65	<b>HINTON Launa</b>	1	4	KURAMOTO Caleigh	6 - 0	3:00	
D-70	TOMELDEN Jade	2	3	<b>GELINAS Isabelle</b>	0 - 20	3:00	IPO

## Results

Pos	Name
1	Abbotsford, HINTON Launa
2	Mile Zero, GELINAS Isabelle
3	Steveston, KURAMOTO Caleigh