

NwF-LT

Competitors

#	Name	Grade	Club	1	2	3	4	5	Wins	Pts	Pos
1	CORBETT Brooke	Blue	Hart	XX	10				1	10	3
2	MCCORKELL Sienna	Green	Mile Zero		XX				0	0	4
3	HINTON Launa	Shodan	Abbotsford	10	10	XX	5		3	25	2
4	FRANCKE Ashley	Brown	Police Junior				XX		0	0	5
5	FIANDOR Cheyenne	Shodan	Nanaimo	10	10	10	10	XX	4	40	1

Matches

Match	White			Blue	Result	Time	Code
D-1	FRANCKE Ashley	4	5	FIANDOR Cheyenne	0 - 10	0:21	IPO
D-2	CORBETT Brooke	1	2	MCCORKELL Sienna	10 - 0	0:18	IPO
D-5	HINTON Launa	3	4	FRANCKE Ashley	5 - 0	4:00	WAZ
D-6	CORBETT Brooke	1	5	FIANDOR Cheyenne	0 - 10	1:47	IPO
D-12	MCCORKELL Sienna	2	3	HINTON Launa	0 - 10	2:04	IPO
D-13	CORBETT Brooke	1	4	FRANCKE Ashley			
D-19	HINTON Launa	3	5	FIANDOR Cheyenne	0 - 10	0:03	IPO
D-20	MCCORKELL Sienna	2	4	FRANCKE Ashley			
D-26	CORBETT Brooke	1	3	HINTON Launa	0 - 10	2:56	WIP
D-27	MCCORKELL Sienna	2	5	FIANDOR Cheyenne	0 - 10	0:37	IPO

Results

Pos	Name
1	Nanaimo, FIANDOR Cheyenne
2	Abbotsford, HINTON Launa
3	Hart, CORBETT Brooke
4	Mile Zero, MCCORKELL Sienna
5	Police Junior, FRANCKE Ashley

NwM-HY

Competitors

#	Name	Grade	Club	1	2	3	4	5	Wins	Pts	Pos
1	WILLS Kevin	Brown	Westsyde	XX					0	0	5
2	THOMSOM Mike	Blue	Victoria	10	XX	10		10	3	30	2
3	MARSHALL Brian	Blue	Williams Lake	5		XX			1	5	4
4	SMILEY Christopher	Nidan	Lake Country	10	10	10	XX	10	4	40	1
5	HANKS Megan	Nidan	Aberdeen	10		10		XX	2	20	3

Matches

Match	White			Blue	Result	Time	Code
D-3	SMILEY Christopher	4	5	HANKS Megan	10 - 0	1:07	IPO
D-4	WILLS Kevin	1	2	THOMSOM Mike	0 - 10	2:34	IPO
D-7	MARSHALL Brian	3	4	SMILEY Christopher	0 - 10	1:10	IPO
D-8	WILLS Kevin	1	5	HANKS Megan	0 - 10	0:52	IPO
D-14	THOMSOM Mike	2	3	MARSHALL Brian	10 - 0	2:49	IPO
D-15	WILLS Kevin	1	4	SMILEY Christopher	0 - 10	0:26	IPO
D-21	MARSHALL Brian	3	5	HANKS Megan	0 - 10	1:08	WIP
D-22	THOMSOM Mike	2	4	SMILEY Christopher	0 - 10	0:39	IPO
D-28	WILLS Kevin	1	3	MARSHALL Brian	0 - 5	4:00	WAZ
D-29	THOMSOM Mike	2	5	HANKS Megan	10 - 0	2:27	IPO

Results

Pos	Name
1	Lake Country, SMILEY Christopher
2	Victoria, THOMSOM Mike
3	Aberdeen, HANKS Megan
4	Williams Lake, MARSHALL Brian
5	Westsyde, WILLS Kevin

NwM-LT

Competitors A

#	Name	Grade	Club	1	2	3	4	Wins	Pts	Pos
1	ARENBURG Nic	Green	Nanaimo	XX	10	10	10	3	30	1
2	GREENWOOD Davin	Brown	Hart		XX	10	10	2	20	2
3	HOI Pak Chien (jeff)	Green	Westminster			XX		0	0	4
4	GILL Aytun	Brown	Steveston			10	XX	1	10	3

Matches A

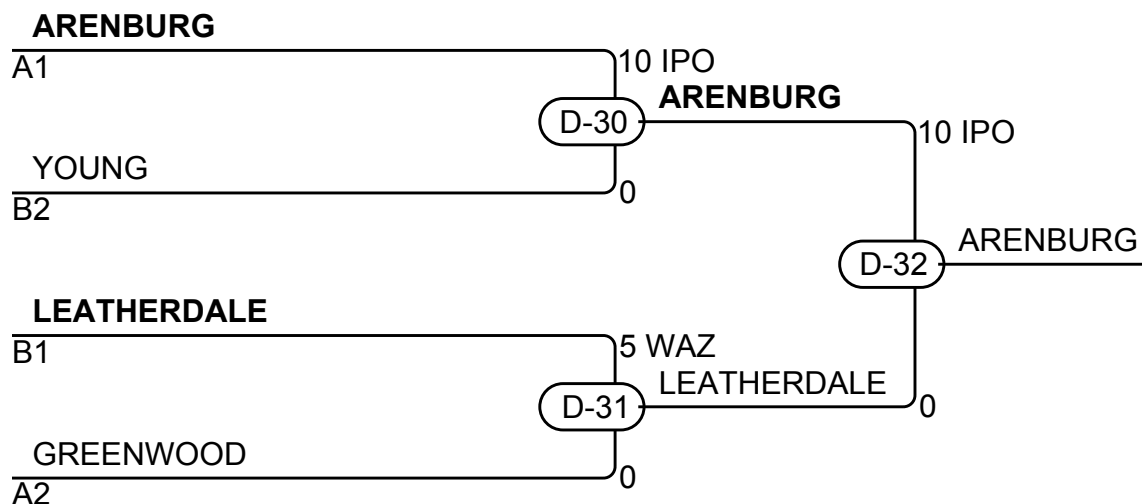
Match	White	Blue	Result	Time	Code
D-9	ARENBURG Nic 1 2	GREENWOOD Davin	10 - 0	3:37	IPO
D-10	HOI Pak Chien (jeff) 3 4	GILL Aytun	0 - 10	2:16	WIP
D-16	ARENBURG Nic 1 3	HOI Pak Chien (jeff)	10 - 0	3:04	IPO
D-17	GREENWOOD Davin 2 4	GILL Aytun	10 - 0	2:03	IPO
D-23	ARENBURG Nic 1 4	GILL Aytun	10 - 0	0:01	IPO
D-24	GREENWOOD Davin 2 3	HOI Pak Chien (jeff)	10 - 0	1:41	WIP

Competitors B

#	Name	Grade	Club	5	6	7	Wins	Pts	Pos
5	SOSNOWSKI Tomasz	Brown	Westminster	XX			0	0	3
6	LEATHERDALE Benjamin	Brown	Kelowna	1	XX	1	2	2	1
7	YOUNG Maxwell	Shodan	Hart	10		XX	1	10	2

Matches B

Match	White	Blue	Result	Time	Code
D-11	SOSNOWSKI Tomasz 5 6	LEATHERDALE Benjamin	0 - 1	8:00	YUS
D-18	SOSNOWSKI Tomasz 5 7	YOUNG Maxwell	0 - 10	4:17	GSI
D-25	LEATHERDALE Benjamin 6 7	YOUNG Maxwell	1 - 0	8:00	YUS



Results

Pos	Name
1	Nanaimo, ARENBURG Nic
2	Kelowna, LEATHERDALE Benjamin
3	Hart, YOUNG Maxwell
3	Hart, GREENWOOD Davin

U14F-32

Competitors

#	Name	Grade	Club	1	2	3	Wins	Pts	Pos
1	COLOROSA Sophia	Orange	Hart	XX			0	0	3
2	KO Jenna	Orange	Burnaby	10	XX	1	2	11	1
3	WHITTLE Gwen	Orange	Campbell R.	5		XX	1	5	2

Matches

Match	White			Blue	Result	Time	Code
C-20	COLOROSA Sophia	1	2	KO Jenna	0 - 10	0:24	IPO
C-37	COLOROSA Sophia	1	3	WHITTLE Gwen	0 - 5	3:00	WAZ
C-53	KO Jenna	2	3	WHITTLE Gwen	1 - 0	3:00	YUS

Results

Pos	Name
1	Burnaby, KO Jenna
2	Campbell R., WHITTLE Gwen
3	Hart, COLOROSA Sophia

U14F-36

Competitors A

#	Name	Grade	Club	1	2	3	Wins	Pts	Pos
1	STOCKLEY Claire	Yellow	Invermere	XX	10		1	10	2
2	HENRY Grace	Orange	Kamloops		XX		0	0	3
3	WONG Marisa	Orange	Police Junior	10	10	XX	2	20	1

Matches A

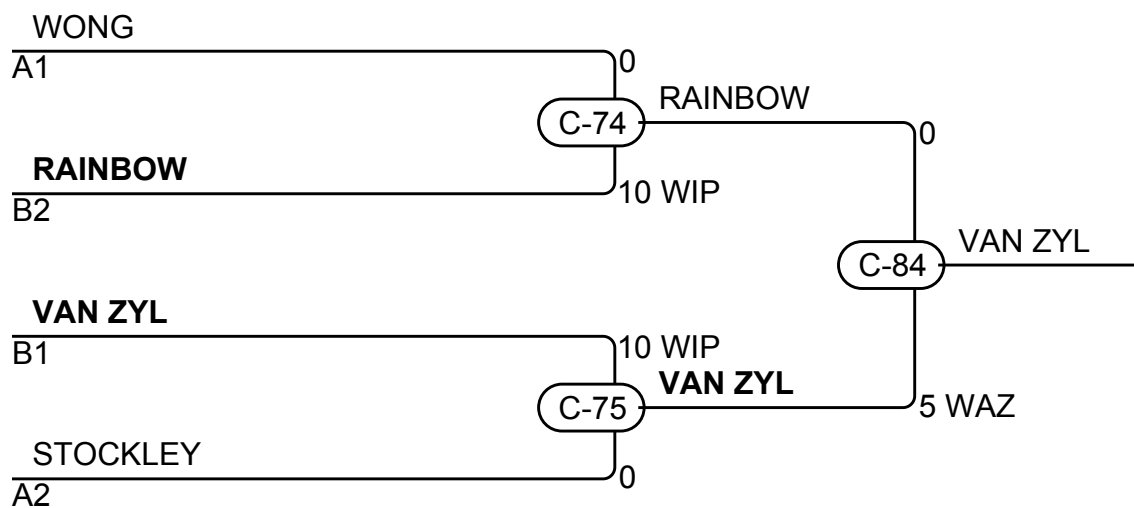
Match	White	Blue	Result	Time	Code
C-26	STOCKLEY Claire 1 2	HENRY Grace	10 - 0	2:26	WIP
C-43	STOCKLEY Claire 1 3	WONG Marisa	0 - 10	0:28	WIP
C-59	HENRY Grace 2 3	WONG Marisa	0 - 10	3:00	IPO

Competitors B

#	Name	Grade	Club	4	5	6	Wins	Pts	Pos
4	VAN ZYL Carla	Green	Hart	XX	10	10	2	20	1
5	RAINBOW Casey	Nidan	Invermere		XX	10	1	10	2
6	DEVUYST Brook	Yellow	Mile Zero			XX	0	0	3

Matches B

Match	White	Blue	Result	Time	Code
C-27	VAN ZYL Carla 4 5	RAINBOW Casey	10 - 0	2:08	WIP
C-44	VAN ZYL Carla 4 6	DEVUYST Brook	10 - 0	0:16	IPO
C-60	RAINBOW Casey 5 6	DEVUYST Brook	10 - 0	0:08	IPO



Results

Pos	Name
1	Hart, VAN ZYL Carla
2	Invermere, RAINBOW Casey
3	Police Junior, WONG Marisa
3	Invermere, STOCKLEY Claire

U14F-40

Competitors

#	Name	Grade	Club	1	2	3	4	5	Wins	Pts	Pos
1	VELONAS Athena	Orange	Arashi	XX	10	10	5	10	4	35	1
2	BOULDING Clare	Orange	Nanaimo		XX	10			1	10	5
3	MCRORY Jordyn	Orange	Abbotsford			XX		10	1	10	4
4	MULLALY THOMSON Isabelle	Orange	Victoria		10	10	XX	10	3	30	2
5	MELENKA Jessi	Orange	Aberdeen		10			XX	1	10	3

Matches

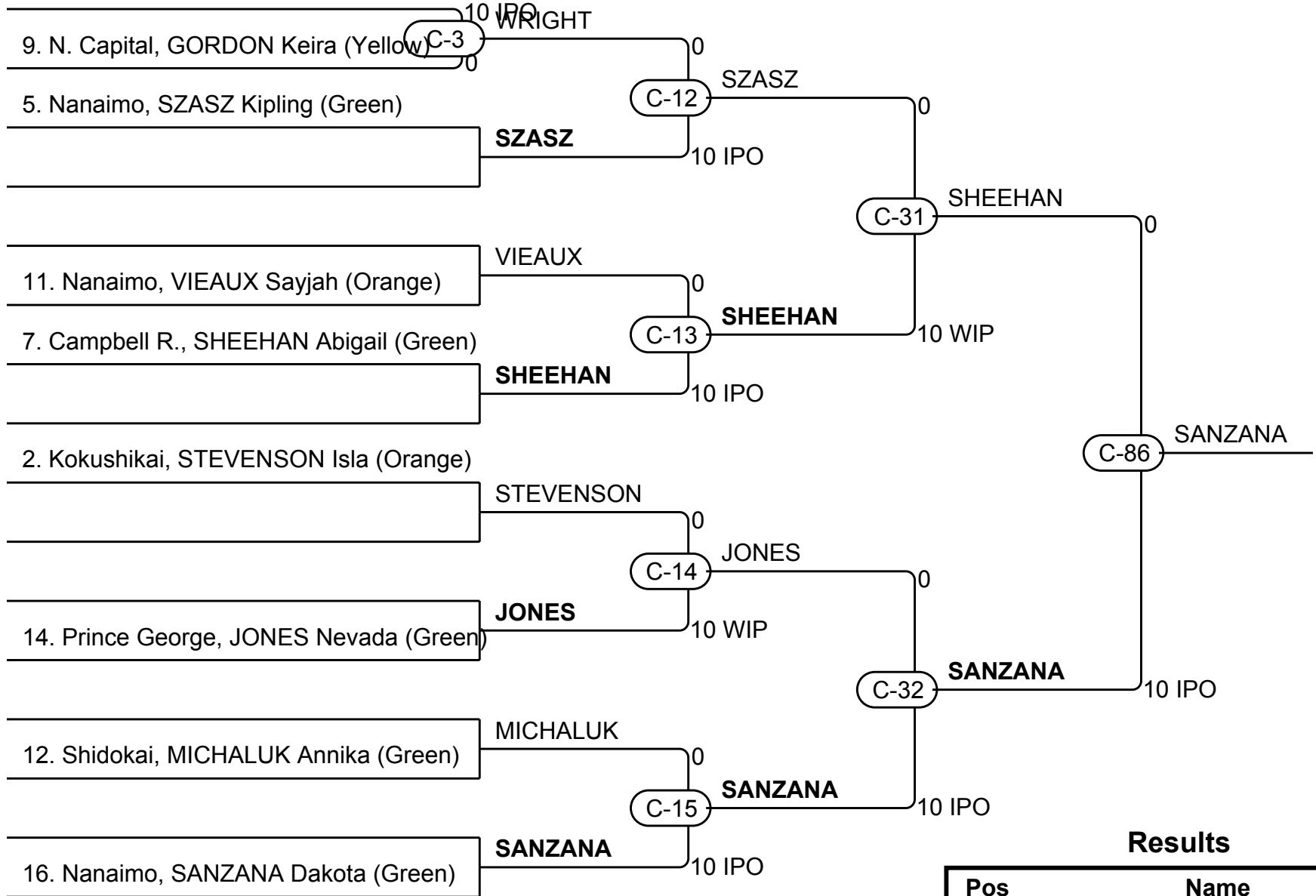
Match	White			Blue	Result	Time	Code
B-7	MULLALY THOMSON Isabelle	4	5	MELENKA Jessi	10 - 0	3:00	GSI
B-8	VELONAS Athena	1	2	BOULDING Clare	10 - 0	0:40	IPO
B-19	MCRORY Jordyn	3	4	MULLALY THOMSON Isabelle	0 - 10	3:00	GSI
B-20	VELONAS Athena	1	5	MELENKA Jessi	10 - 0	2:31	WIP
B-24	BOULDING Clare	2	3	MCRORY Jordyn	10 - 0	3:00	IPO
B-25	VELONAS Athena	1	4	MULLALY THOMSON Isabelle	5 - 0	3:00	WAZ
B-43	MCRORY Jordyn	3	5	MELENKA Jessi	10 - 0	2:35	IPO
B-44	BOULDING Clare	2	4	MULLALY THOMSON Isabelle	0 - 10	2:07	IPO
B-62	VELONAS Athena	1	3	MCRORY Jordyn	10 - 0	1:18	WIP
B-63	BOULDING Clare	2	5	MELENKA Jessi	0 - 10	1:11	WIP

Results

Pos	Name
1	Arashi, VELONAS Athena
2	Victoria, MULLALY THOMSON Isabelle
3	Aberdeen, MELENKA Jessi
3	Abbotsford, MCRORY Jordyn
3	Nanaimo, BOULDING Clare

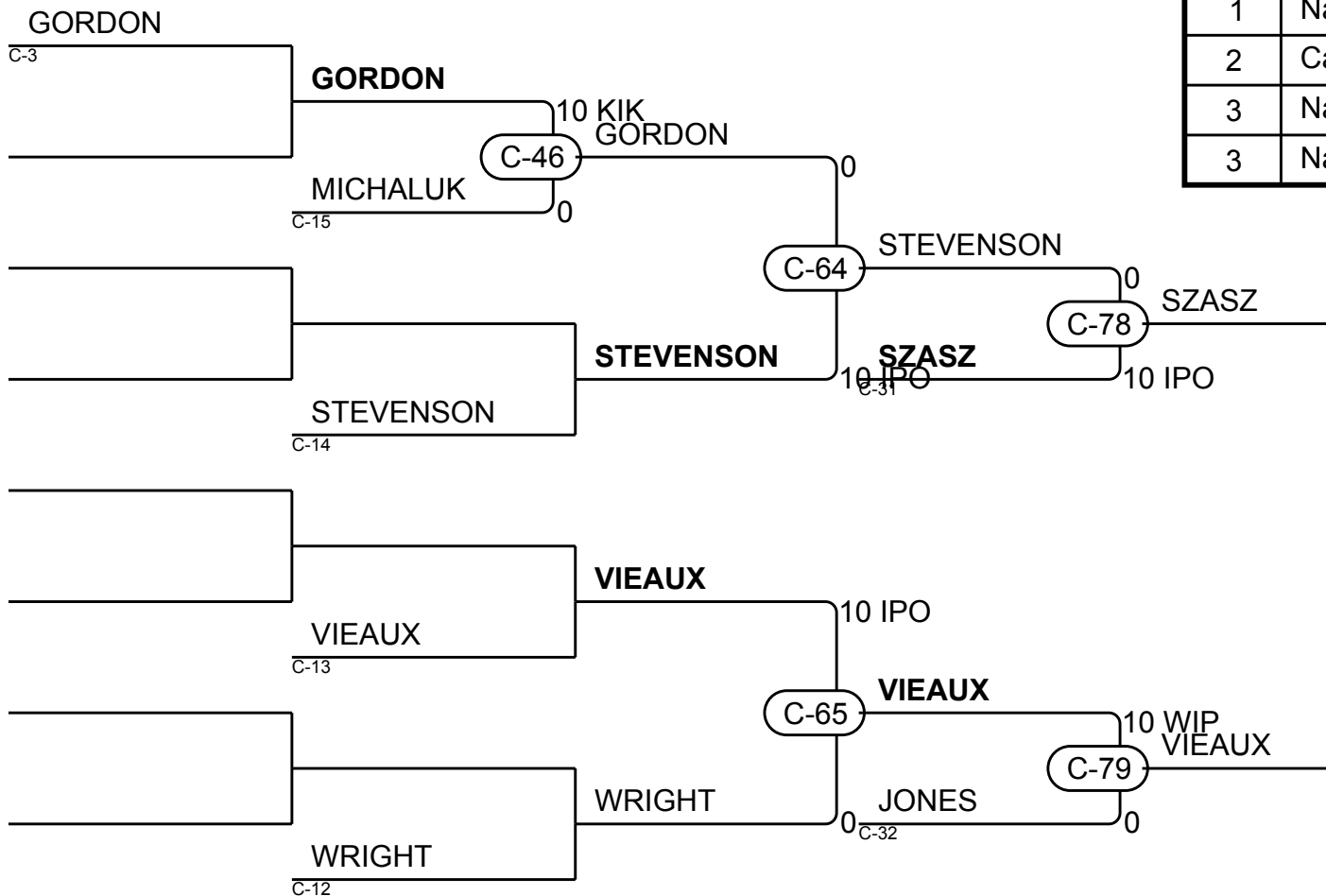
U14F-44

1. Penticton, WRIGHT Danica (Yellow)



Results

Pos	Name
1	Nanaimo, SANZANA Dakota
2	Campbell R., SHEEHAN Abigail
3	Nanaimo, SZASZ Kipling
3	Nanaimo, VIEAUX Sayjah



U14F-48

Competitors A

#	Name	Grade	Club	1	2	3	4	Wins	Pts	Pos
1	KENYON Clara	Green	Revelstoke	XX		10	10	2	20	2
2	ROTBART Nova	Green	Burnaby	10	XX	5	10	3	25	1
3	ZHANG Liwen	Orange	Police Junior			XX	10	1	10	3
4	GREENWOOD Aria	Orange	Hart				XX	0	0	4

Matches A

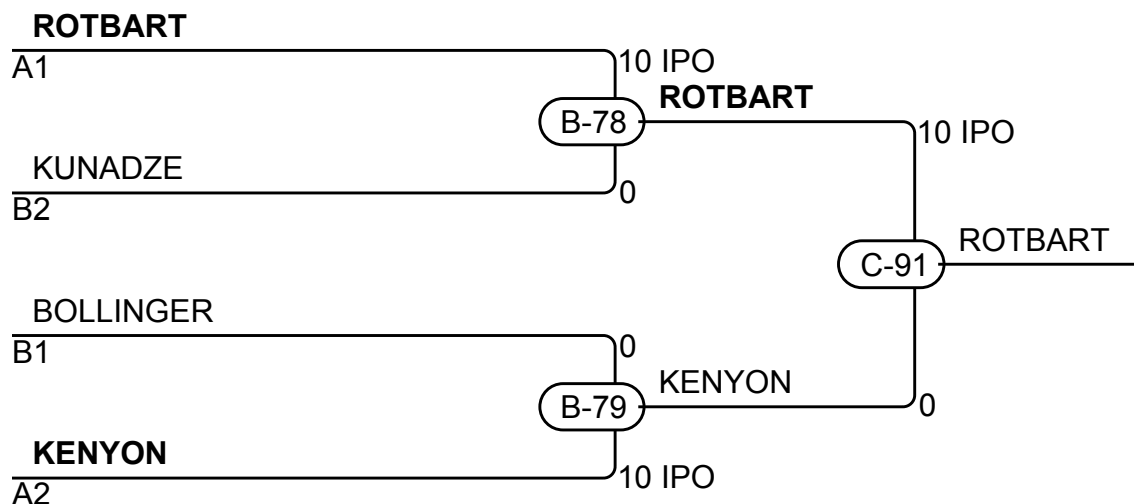
Match	White	Blue	Result	Time	Code
B-1	KENYON Clara 1 2	ROTBART Nova	0 - 10	2:18	IPO
B-2	ZHANG Liwen 3 4	GREENWOOD Aria	10 - 0	0:09	IPO
B-40	KENYON Clara 1 3	ZHANG Liwen	10 - 0	1:37	WIP
B-41	ROTBART Nova 2 4	GREENWOOD Aria	10 - 0	0:31	IPO
B-59	KENYON Clara 1 4	GREENWOOD Aria	10 - 0	0:15	IPO
B-60	ROTBART Nova 2 3	ZHANG Liwen	5 - 0	3:00	WAZ

Competitors B

#	Name	Grade	Club	5	6	7	Wins	Pts	Pos
5	KUNADZE Maya	Nidan	Kokushikai	XX	10		1	10	2
6	CLARKE Sarah	Orange	Kelowna		XX		0	0	3
7	BOLLINGER Elsa	Orange	Shidokai	10	10	XX	2	20	1

Matches B

Match	White	Blue	Result	Time	Code
B-23	KUNADZE Maya 5 6	CLARKE Sarah	10 - 0	1:51	IPO
B-42	KUNADZE Maya 5 7	BOLLINGER Elsa	0 - 10	0:32	WIP
B-61	CLARKE Sarah 6 7	BOLLINGER Elsa	0 - 10	3:00	IPO



Results

Pos	Name
1	Burnaby, ROTBART Nova
2	Revelstoke, KENYON Clara
3	Kokushikai, KUNADZE Maya
3	Shidokai, BOLLINGER Elsa

U14F-57

Competitors

#	Name	Grade	Club	1	2	3	4	5	Wins	Pts	Pos
1	DICKSON Freya	Green	Abbotsford	XX	10	10		10	3	30	2
2	MARCHAND Payton	Orange	Aberdeen		XX	10			1	10	3
3	DEN OTTER Maya	Orange	Invermere			XX		10	1	10	4
4	SCHENK Beata	Green	Burnaby	10	10	10	XX	10	4	40	1
5	GLADSTONE Alewyn	Yellow	Nanaimo		10			XX	1	10	5

Matches

Match	White			Blue	Result	Time	Code
B-13	SCHENK Beata	4	5	GLADSTONE Alewyn	10 - 0	1:33	WIP
B-14	DICKSON Freya	1	2	MARCHAND Payton	10 - 0	0:41	WIP
B-21	DEN OTTER Maya	3	4	SCHENK Beata	0 - 10	0:55	WIP
B-22	DICKSON Freya	1	5	GLADSTONE Alewyn	10 - 0	0:15	IPO
B-33	MARCHAND Payton	2	3	DEN OTTER Maya	10 - 0	0:20	IPO
B-34	DICKSON Freya	1	4	SCHENK Beata	0 - 10	1:10	WIP
B-52	DEN OTTER Maya	3	5	GLADSTONE Alewyn	10 - 0	3:00	IPO
B-53	MARCHAND Payton	2	4	SCHENK Beata	0 - 10	0:09	IPO
B-71	DICKSON Freya	1	3	DEN OTTER Maya	10 - 0	0:36	IPO
B-72	MARCHAND Payton	2	5	GLADSTONE Alewyn	0 - 10	3:00	IPO

Results

Pos	Name
1	Burnaby, SCHENK Beata
2	Abbotsford, DICKSON Freya
3	Aberdeen, MARCHAND Payton
3	Invermere, DEN OTTER Maya
3	Nanaimo, GLADSTONE Alewyn

U14F-63

Competitors

#	Name	Grade	Club	1	2	1	2	1	2	Wins	Pts	Pos
1	BIXBY Teigan	Orange	Vernon	XX	10	XX	10	XX		2	20	1
2	MCCULLOUGH Lily	Green	Prince George		XX		XX		XX	0	0	2

Matches

Match	White			Blue	Result	Time	Code
A-33	BIXBY Teigan	1	2	MCCULLOUGH Lily	10 - 0	0:25	WIP
A-48	MCCULLOUGH Lily	2	1	BIXBY Teigan	0 - 10	0:20	WIP
A-67	BIXBY Teigan	1	2	MCCULLOUGH Lily			

Results

Pos	Name
1	Vernon, BIXBY Teigan
2	Prince George, MCCULLOUGH Lily

U14F+63

Competitors

#	Name	Grade	Club	1	2	1	2	1	2	Wins	Pts	Pos
1	SINCLAIR Maggie	Orange	Aberdeen	XX	10	XX	10	XX		2	20	1
2	CHISAN Sara	Yellow	Prince George		XX		XX		XX	0	0	2

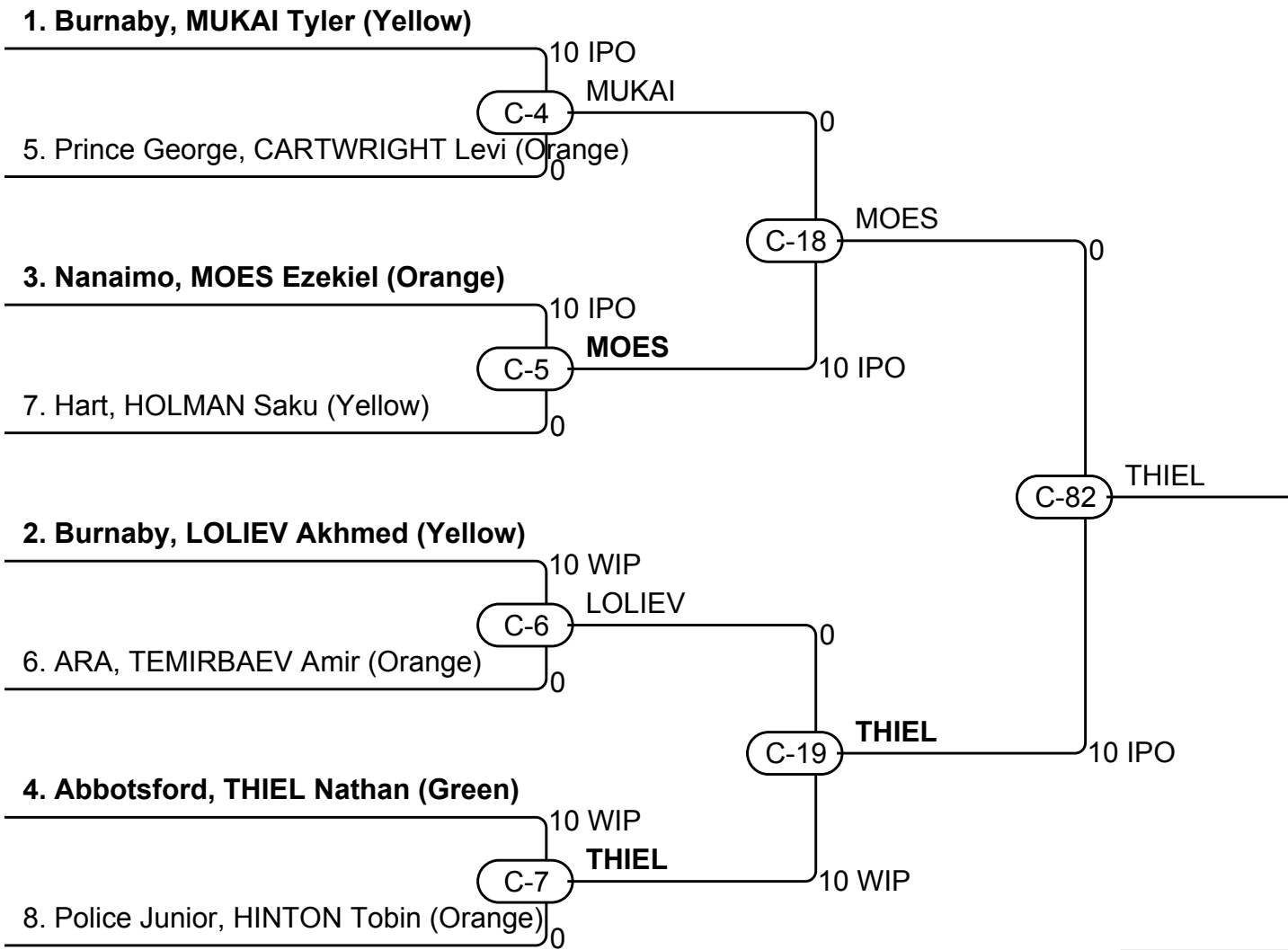
Matches

Match	White			Blue	Result	Time	Code
A-45	SINCLAIR Maggie	1	2	CHISAN Sara	10 - 0	0:51	IPO
A-64	CHISAN Sara	2	1	SINCLAIR Maggie	0 - 10	0:09	IPO
A-79	SINCLAIR Maggie	1	2	CHISAN Sara			

Results

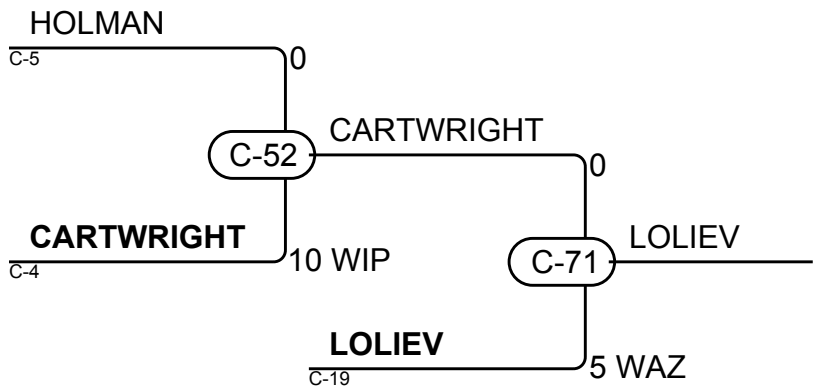
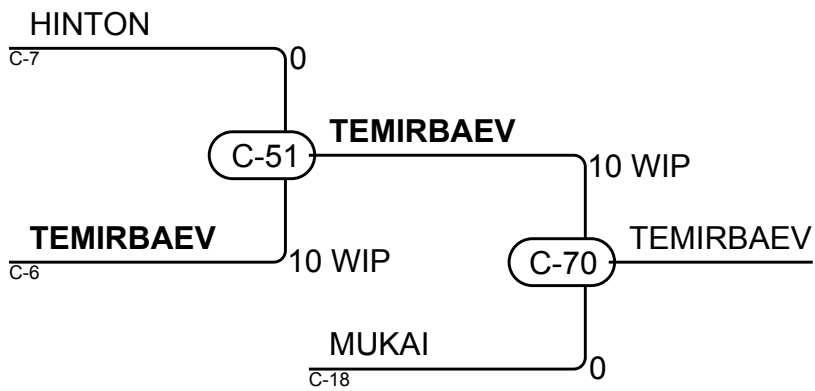
Pos	Name
1	Aberdeen, SINCLAIR Maggie
2	Prince George, CHISAN Sara

U14M-31



Results

Pos	Name
1	Abbotsford, THIEL Nathan
2	Nanaimo, MOES Ezekiel
3	Arashi, TEMIRBAEV Amir
3	Burnaby, LOLIEV Akhmed



U14M-34

Competitors

#	Name	Grade	Club	1	2	3	4	Wins	Pts	Pos
1	TAGUCHI Taisei	Orange	Police Junior	XX				0	0	4
2	MORRIS Taiga	Orange	Police Junior	10	XX		10	2	20	2
3	FRIZELL Linus	Green	Hart	10	10	XX	10	3	30	1
4	OSTERMANN Eli	Orange	Victoria	10			XX	1	10	3

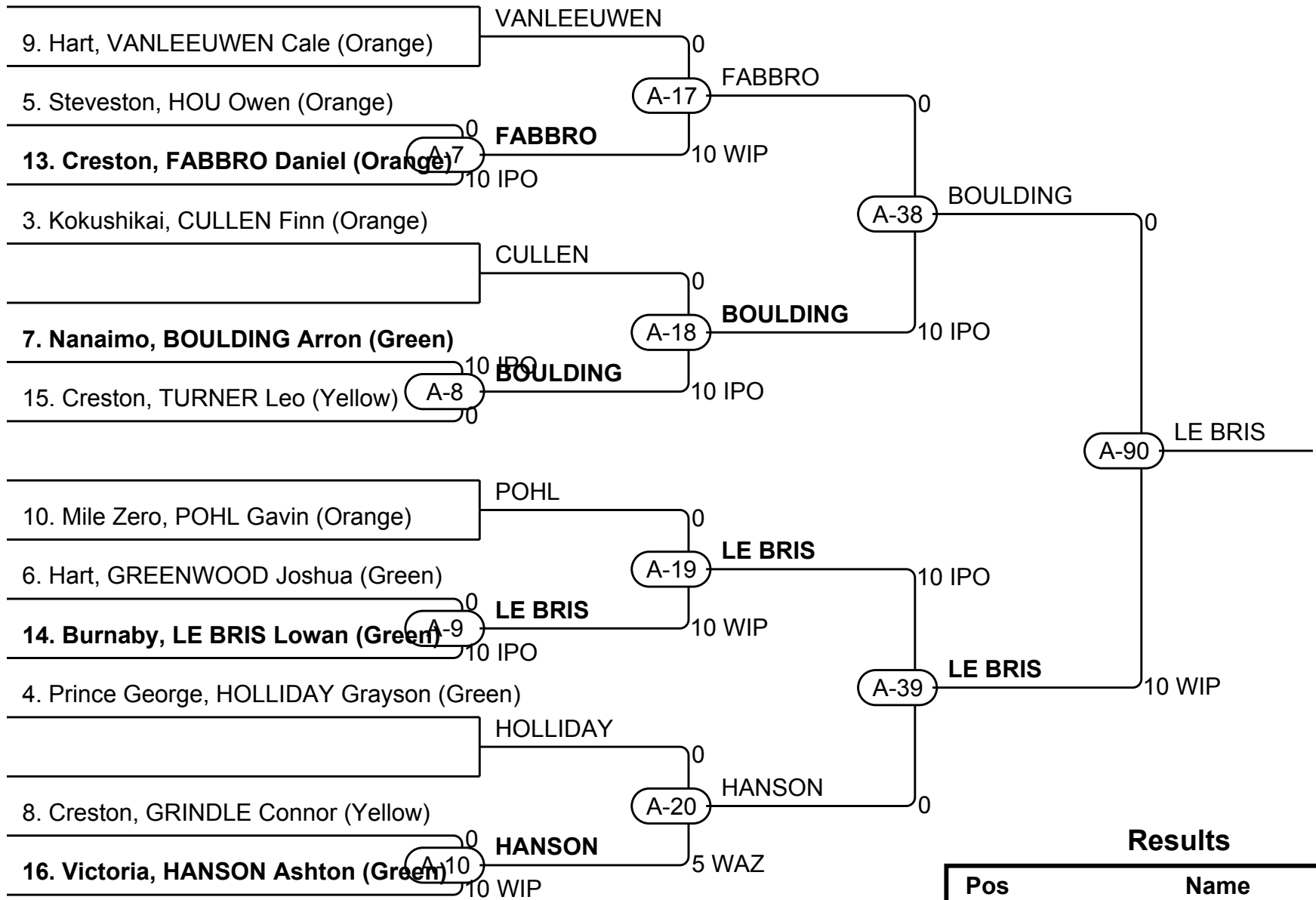
Matches

Match	White			Blue	Result	Time	Code
B-31	TAGUCHI Taisei	1	2	MORRIS Taiga	0 - 10	2:52	WIP
B-32	FRIZELL Linus	3	4	OSTERMANN Eli	10 - 0	0:14	IPO
B-50	TAGUCHI Taisei	1	3	FRIZELL Linus	0 - 10	1:03	WIP
B-51	MORRIS Taiga	2	4	OSTERMANN Eli	10 - 0	3:00	IPO
B-69	TAGUCHI Taisei	1	4	OSTERMANN Eli	0 - 10	3:00	IPO
B-70	MORRIS Taiga	2	3	FRIZELL Linus	0 - 10	0:43	WIP

Results

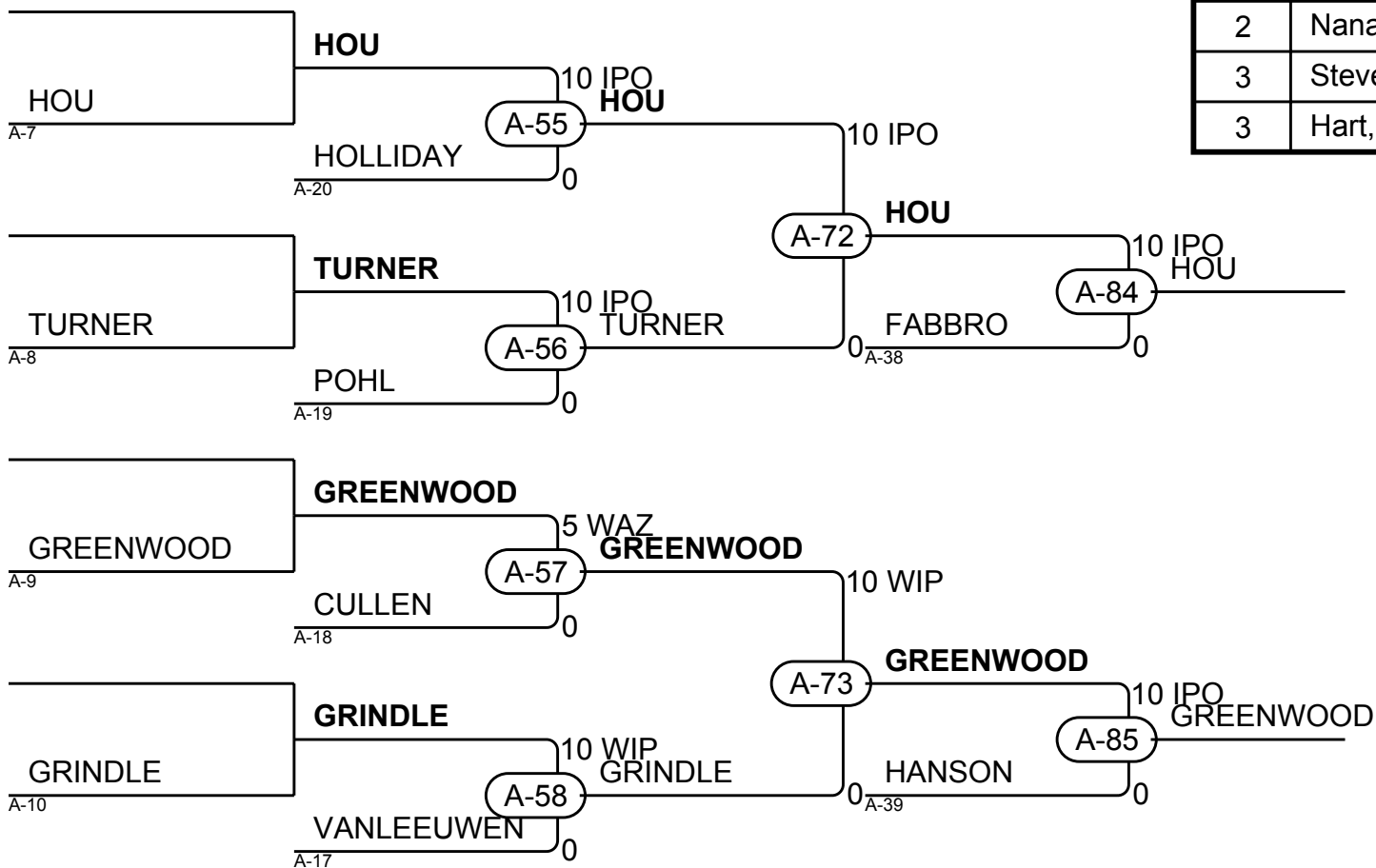
Pos	Name
1	Hart, FRIZELL Linus
2	Police Junior, MORRIS Taiga
3	Victoria, OSTERMANN Eli
4	Police Junior, TAGUCHI Taisei

U14M-38



Results

Pos	Name
1	Burnaby, LE BRIS Lowan
2	Nanaimo, BOULDING Arron
3	Steveston, HOU Owen
3	Hart, GREENWOOD Joshua



U14M-42

1. Abbotsford, HARRIS Zachary (Green)

9. Nanaimo, KRUGER John (Orange) **A-1**

13. Mile Zero, SMITH Flynn (Green)

3. Campbell R., PETERSON Braden (Green)

11. Kokushikai, LANGE Tyler (Orange) **A-2**

7. Nanaimo, BLACKBURN Connor (Orange)

15. Kamloops, LISSIMORE Kareem (Green)

10. Abbotsford, KATALINIC Levi (Orange)

6. ARA, VELONAS Peter (Green)

14. Campbell R., GOLE Charlie (Green) **A-4**

4. Shin Bu Kan, LAW Wilfred (Yellow)

12. Nanaimo, YANG Anthony (Orange) **A-5**

8. Hart, COTTER Aidan (Orange)

16. Mile Zero, GALLENO Daniel (Orange)

KRUGER **A-1**

KRUGER **A-16**

LANGE **A-2**

BLACKBURN **A-3**

BLACKBURN **A-15**

GOLE **A-4**

LISSIMORE **A-14**

YANG **A-5**

COTTER **A-6**

COTTER **A-13**

10 IPO

HARRIS

A-1

10 IPO

HARRIS

A-13

10 IPO

HARRIS

A-34

10 WIP

PETERSON

A-14

10 WIP

LISSIMORE

A-3

10 WIP

KATALINIC

A-15

10 WIP

VELONAS

A-4

10 WIP

VELONAS

A-5

10 IPO

LAW

A-16

10 IPO

LAW

A-6

10 IPO

GALLENO

A-49

10 GSI

GALLENO

A-27

10 WIP

BLACKBURN

A-50

10 WIP

KATALINIC

A-51

10 IPO

GOLE

A-52

10 WIP

SMITH

A-28

10 IPO

SMITH

A-69

10 WIP

SMITH

A-83

10 IPO

LAW

A-82

5 WAZ

GALLENO

A-89

5 WAZ

10 IPO

HARRIS

A-13

10 IPO

HARRIS

A-34

10 WIP

PETERSON

A-14

10 WIP

LISSIMORE

A-3

10 WIP

KATALINIC

A-15

10 WIP

VELONAS

A-4

10 WIP

VELONAS

A-5

10 IPO

LAW

A-16

10 IPO

LAW

A-6

10 IPO

GALLENO

A-49

10 GSI

GALLENO

A-27

10 WIP

BLACKBURN

A-50

10 WIP

KATALINIC

A-51

10 IPO

GOLE

A-52

10 WIP

SMITH

A-28

10 IPO

SMITH

A-69

10 WIP

SMITH

A-83

10 IPO

LAW

A-82

5 WAZ

GALLENO

A-89

5 WAZ

Results

Pos	Name
1	Arashi, VELONAS Peter
2	Abbotsford, HARRIS Zachary
3	Mile Zero, GALLENO Daniel
3	Mile Zero, SMITH Flynn

U14M-46

Competitors A

#	Name	Grade	Club	1	2	3	Wins	Pts	Pos
1	WHITMORE Gavin	Green	Abbotsford	XX	10		1	10	2
2	FAUPEL Jakob	Green	Kamloops		XX		0	0	3
3	BANBURY Lawson	Orange	Creston	10	10	XX	2	20	1

Matches A

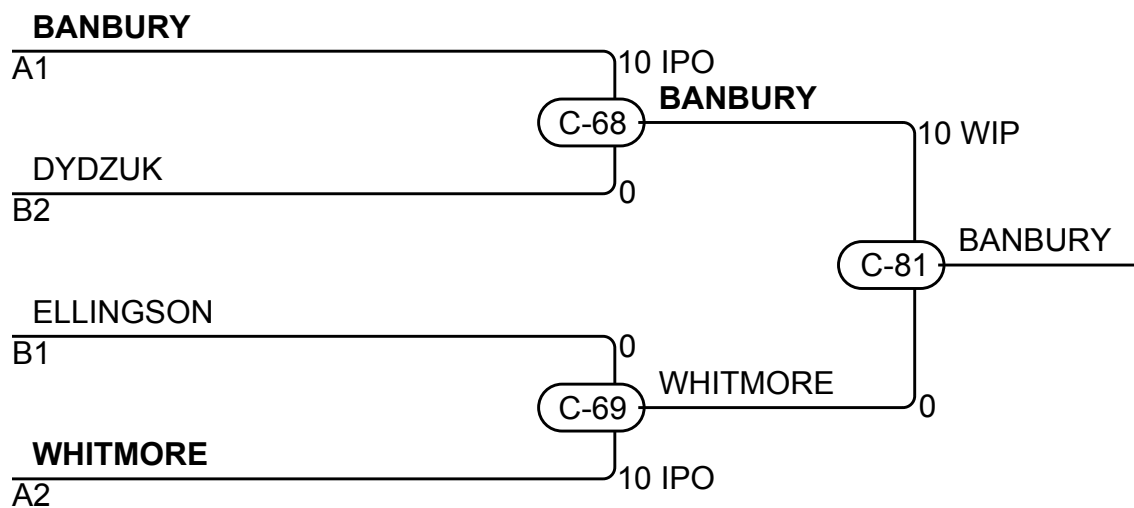
Match	White	Blue	Result	Time	Code
C-1	WHITMORE Gavin	1 2 FAUPEL Jakob	10 - 0	0:10	IPO
C-35	WHITMORE Gavin	1 3 BANBURY Lawson	0 - 10	0:22	IPO
C-49	FAUPEL Jakob	2 3 BANBURY Lawson	0 - 10	1:23	IPO

Competitors B

#	Name	Grade	Club	4	5	6	Wins	Pts	Pos
4	LIAM Marshall	Orange	Williams Lake	XX			0	0	3
5	ELLINGSON Odin	Green	Abbotsford	10	XX	10	2	20	1
6	DYDZUK Jonathan	Green	Abbotsford	1		XX	1	1	2

Matches B

Match	White	Blue	Result	Time	Code
C-2	LIAM Marshall	4 5 ELLINGSON Odin	0 - 10	0:41	IPO
C-36	LIAM Marshall	4 6 DYDZUK Jonathan	0 - 1	3:00	YUS
C-50	ELLINGSON Odin	5 6 DYDZUK Jonathan	10 - 0	2:23	WIP



Results

Pos	Name
1	Creston, BANBURY Lawson
2	Abbotsford, WHITMORE Gavin
3	Abbotsford, DYDZUK Jonathan
3	Abbotsford, ELLINGSON Odin

U14M-50

Competitors A

#	Name	Grade	Club	1	2	3	Wins	Pts	Pos
1	UYEDA Kazuto	Green	Kamloops	XX	10		1	10	2
2	LITTLE Kayden	Yellow	Shin Bu Kan		XX		0	0	3
3	ANTOSH Ryan	Orange	PoCo	10	10	XX	2	20	1

Matches A

Match	White	Blue	Result	Time	Code
A-31	UYEDA Kazuto 1 2	LITTLE Kayden	10 - 0	2:04	WIP
A-46	UYEDA Kazuto 1 3	ANTOSH Ryan	0 - 10	0:40	IPO
A-65	LITTLE Kayden 2 3	ANTOSH Ryan	0 - 10	0:34	WIP

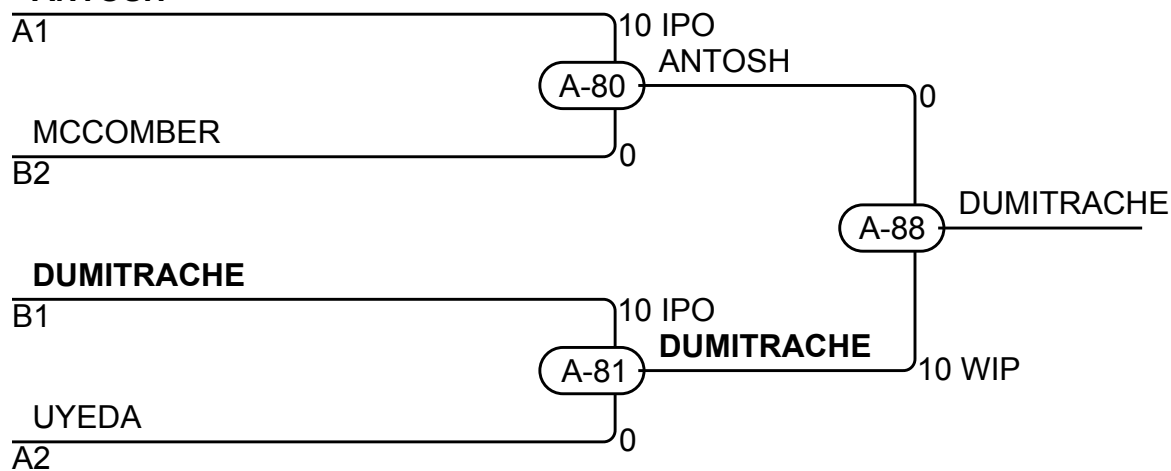
Competitors B

#	Name	Grade	Club	4	5	6	Wins	Pts	Pos
4	MCCOMBER Aiden	Yellow	Prince George	XX		10	1	10	2
5	DUMITRACHE Andrei	Green	Abbotsford	10	XX	10	2	20	1
6	SAMMET Hayden	Green	Kamloops			XX	0	0	3

Matches B

Match	White	Blue	Result	Time	Code
A-32	MCCOMBER Aiden 4 5	DUMITRACHE Andrei	0 - 10	0:10	IPO
A-47	MCCOMBER Aiden 4 6	SAMMET Hayden	10 - 0	3:00	WIP
A-66	DUMITRACHE Andrei 5 6	SAMMET Hayden	10 - 0	1:07	WIP

ANTOSH



Results

Pos	Name
1	Abbotsford, DUMITRACHE Andrei
2	PoCo, ANTOSH Ryan
3	Prince George, MCCOMBER Aiden
3	Kamloops, UYEDA Kazuto

U14M-60

Competitors

#	Name	Grade	Club	1	2	3	4	Wins	Pts	Pos
1	FELISYN Evan	Yellow	Creston	XX		10		1	10	3
2	GILL Elijah	Blue	Abbotsford	10	XX	10	10	3	30	1
3	VANLEEUVEN Finlay	Orange	Hart			XX		0	0	4
4	HUBELIT Austin	Orange	Campbell R.	10		10	XX	2	20	2

Matches

Match	White			Blue	Result	Time	Code
B-38	FELISYN Evan	1	2	GILL Elijah	0 - 10	0:23	WIP
B-39	VANLEEUVEN Finlay	3	4	HUBELIT Austin	0 - 10	0:35	IPO
B-57	FELISYN Evan	1	3	VANLEEUVEN Finlay	10 - 0	2:22	WIP
B-58	GILL Elijah	2	4	HUBELIT Austin	10 - 0	1:23	WIP
B-76	FELISYN Evan	1	4	HUBELIT Austin	0 - 10	0:21	WIP
B-77	GILL Elijah	2	3	VANLEEUVEN Finlay	10 - 0	0:08	IPO

Results

Pos	Name
1	Abbotsford, GILL Elijah
2	Campbell R., HUBELIT Austin
3	Creston, FELISYN Evan
4	Hart, VANLEEUVEN Finlay

U14M+66

Competitors

#	Name	Grade	Club	1	2	1	2	1	2	Wins	Pts	Pos
1	MADILL Max	Green	Hart	XX		XX		XX		0	0	2
2	FERSHAU Asher	Yellow	Abbotsford	10	XX	10	XX		XX	2	20	1

Matches

Match	White			Blue	Result	Time	Code
C-28	MADILL Max	1	2	FERSHAU Asher	0 - 10	0:23	IPO
C-45	FERSHAU Asher	2	1	MADILL Max	10 - 0	0:31	IPO
C-61	MADILL Max	1	2	FERSHAU Asher			

Results

Pos	Name
1	Abbotsford, FERSHAU Asher
2	Hart, MADILL Max

U18F-44

Competitors

#	Name	Grade	Club	1	2	3	4	Wins	Pts	Pos
1	ESPARBES Kylee	Green	Steveston	XX				0	0	4
2	SHEARER Lola	Green	Steveston	10	XX		10	2	20	2
3	BONDT Nadine	Green	Vernon	10	10	XX	10	3	30	1
4	DANILKOV Ekaterina	Blue	Burnaby	10			XX	1	10	3

Matches

Match	White			Blue	Result	Time	Code
A-36	ESPARBES Kylee	1	2	SHEARER Lola	0 - 10	2:10	WIP
A-37	BONDT Nadine	3	4	DANILKOV Ekaterina	10 - 0	1:21	WIP
A-53	ESPARBES Kylee	1	3	BONDT Nadine	0 - 10	3:39	WIP
A-54	SHEARER Lola	2	4	DANILKOV Ekaterina	10 - 0	2:59	WIP
A-70	ESPARBES Kylee	1	4	DANILKOV Ekaterina	0 - 10	7:24	GSI
A-71	SHEARER Lola	2	3	BONDT Nadine	0 - 10	0:24	IPO

Results

Pos	Name
1	Vernon, BONDT Nadine
2	Steveston, SHEARER Lola
3	Burnaby, DANILKOV Ekaterina
4	Steveston, ESPARBES Kylee

U18F-48

Competitors

#	Name	Grade	Club	1	2	3	Wins	Pts	Pos
1	MORITA Ayumi	Blue	Police Junior	XX			0	0	3
2	LOLIEVA Rakiia	Brown	Burnaby	10	XX	10	2	20	1
3	SHEEHAN Olivia	Blue	Campbell R.	5		XX	1	5	2

Matches

Match	White			Blue	Result	Time	Code
B-37	MORITA Ayumi	1	2	LOLIEVA Rakiia	0 - 10	3:51	WIP
B-56	MORITA Ayumi	1	3	SHEEHAN Olivia	0 - 5	4:00	WAZ
B-75	LOLIEVA Rakiia	2	3	SHEEHAN Olivia	10 - 0	2:33	WIP

Results

Pos	Name
1	Burnaby, LOLIEVA Rakiia
2	Campbell R., SHEEHAN Olivia
3	Police Junior, MORITA Ayumi

U18F-52

Competitors A

#	Name	Grade	Club	1	2	3	Wins	Pts	Pos
1	GOTO Tami	Shodan	Prince George	XX	10	10	2	20	1
2	KO Hailey	Blue	Burnaby		XX		0	0	3
3	AL-ASHOOR Jasmine	Green	Arashi		10	XX	1	10	2

Matches A

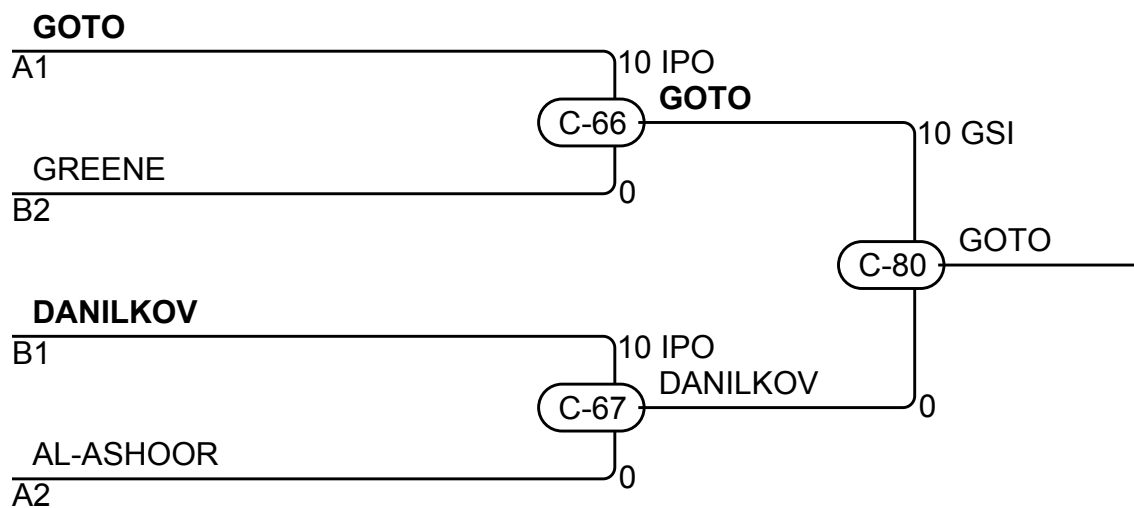
Match	White	Blue	Result	Time	Code
C-16	GOTO Tami	1 2 KO Hailey	10 - 0	3:39	IPO
C-33	GOTO Tami	1 3 AL-ASHOOR Jasmine	10 - 0	1:10	IPO
C-47	KO Hailey	2 3 AL-ASHOOR Jasmine	0 - 10	6:12	GSI

Competitors B

#	Name	Grade	Club	4	5	6	Wins	Pts	Pos
4	DANILKOV Klavdia	Brown	Burnaby	XX	10	10	2	20	1
5	GREENE Isabella	Blue	Nanaimo		XX	10	1	10	2
6	LACROIX Keisha	Green	Westsyde			XX	0	0	3

Matches B

Match	White	Blue	Result	Time	Code
C-17	DANILKOV Klavdia	4 5 GREENE Isabella	10 - 0	1:54	IPO
C-34	DANILKOV Klavdia	4 6 LACROIX Keisha	10 - 0	0:50	IPO
C-48	GREENE Isabella	5 6 LACROIX Keisha	10 - 0	0:21	IPO



Results

Pos	Name
1	Prince George, GOTO Tami
2	Burnaby, DANILKOV Klavdia
3	Nanaimo, GREENE Isabella
3	Arashi, AL-ASHOOR Jasmine

U18F-57

Competitors

#	Name	Grade	Club	1	2	3	Wins	Pts	Pos
1	GIRVIN Molly	Green	Campbell R.	XX			0	0	3
2	LEE Zoe	Green	Burnaby	10	XX		1	10	2
3	KURAMOTO Caleigh	Brown	Steveston	10	10	XX	2	20	1

Matches

Match	White			Blue	Result	Time	Code
A-42	GIRVIN Molly	1	2	LEE Zoe	0 - 10	0:11	IPO
A-61	GIRVIN Molly	1	3	KURAMOTO Caleigh	0 - 10	0:11	IPO
A-76	LEE Zoe	2	3	KURAMOTO Caleigh	0 - 10	2:10	WIP

Results

Pos	Name
1	Steveston, KURAMOTO Caleigh
2	Burnaby, LEE Zoe
3	Campbell R., GIRVIN Molly

U18F-63

Competitors A

#	Name	Grade	Club	1	2	3	4	Wins	Pts	Pos
1	MORISHO Nyota	Blue	Victoria	XX	10	10	10	3	30	1
2	LIAKOS Maria	Green	Steveston		XX			0	0	4
3	MORLAND Estelle	Blue	Nanaimo		10	XX		1	10	3
4	MOORE Tula	Blue	Hart		10	10	XX	2	20	2

Matches A

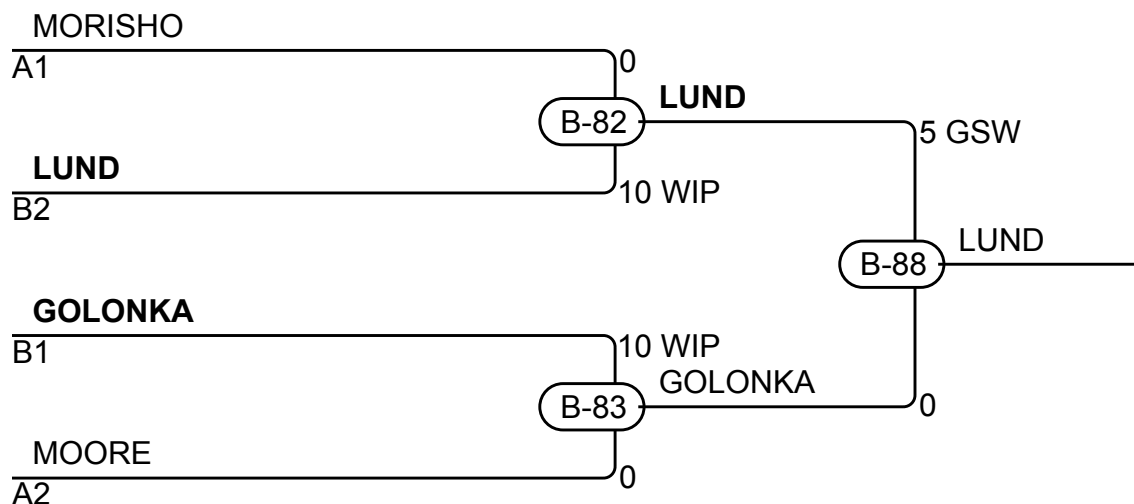
Match	White	Blue	Result	Time	Code
B-28	MORISHO Nyota 1 2	LIAKOS Maria	10 - 0	0:53	WIP
B-29	MORLAND Estelle 3 4	MOORE Tula	0 - 10	0:43	WIP
B-47	MORISHO Nyota 1 3	MORLAND Estelle	10 - 0	0:39	WIP
B-48	LIAKOS Maria 2 4	MOORE Tula	0 - 10	0:27	WIP
B-66	MORISHO Nyota 1 4	MOORE Tula	10 - 0	0:26	IPO
B-67	LIAKOS Maria 2 3	MORLAND Estelle	0 - 10	0:16	IPO

Competitors B

#	Name	Grade	Club	5	6	7	Wins	Pts	Pos
5	GOLONKA Tara	Blue	Victoria	XX	10	10	2	20	1
6	LUND Tianna	Blue	Campbell R.		XX	5	1	5	2
7	ENDEAN Kiara	Brown	Vernon			XX	0	0	3

Matches B

Match	White	Blue	Result	Time	Code
B-30	GOLONKA Tara 5 6	LUND Tianna	10 - 0	0:27	IPO
B-49	GOLONKA Tara 5 7	ENDEAN Kiara	10 - 0	3:43	WIP
B-68	LUND Tianna 6 7	ENDEAN Kiara	5 - 0	6:46	GSW



Results

Pos	Name
1	Campbell R., LUND Tianna
2	Victoria, GOLONKA Tara
3	Victoria, MORISHO Nyota
3	Hart, MOORE Tula

U18F+70

Competitors

#	Name	Grade	Club	1	2	3	4	Wins	Pts	Pos
1	WEBB Dakota	Green	Kokushikai	XX				0	0	3
2	CALDER Mira	Brown	Kokushikai		XX			0	0	4
3	DARMADI Hannah	Green	Nanaimo	5		XX		1	5	2
4	JACOBS Yana	Blue	Campbell R.	10		10	XX	2	20	1

Matches

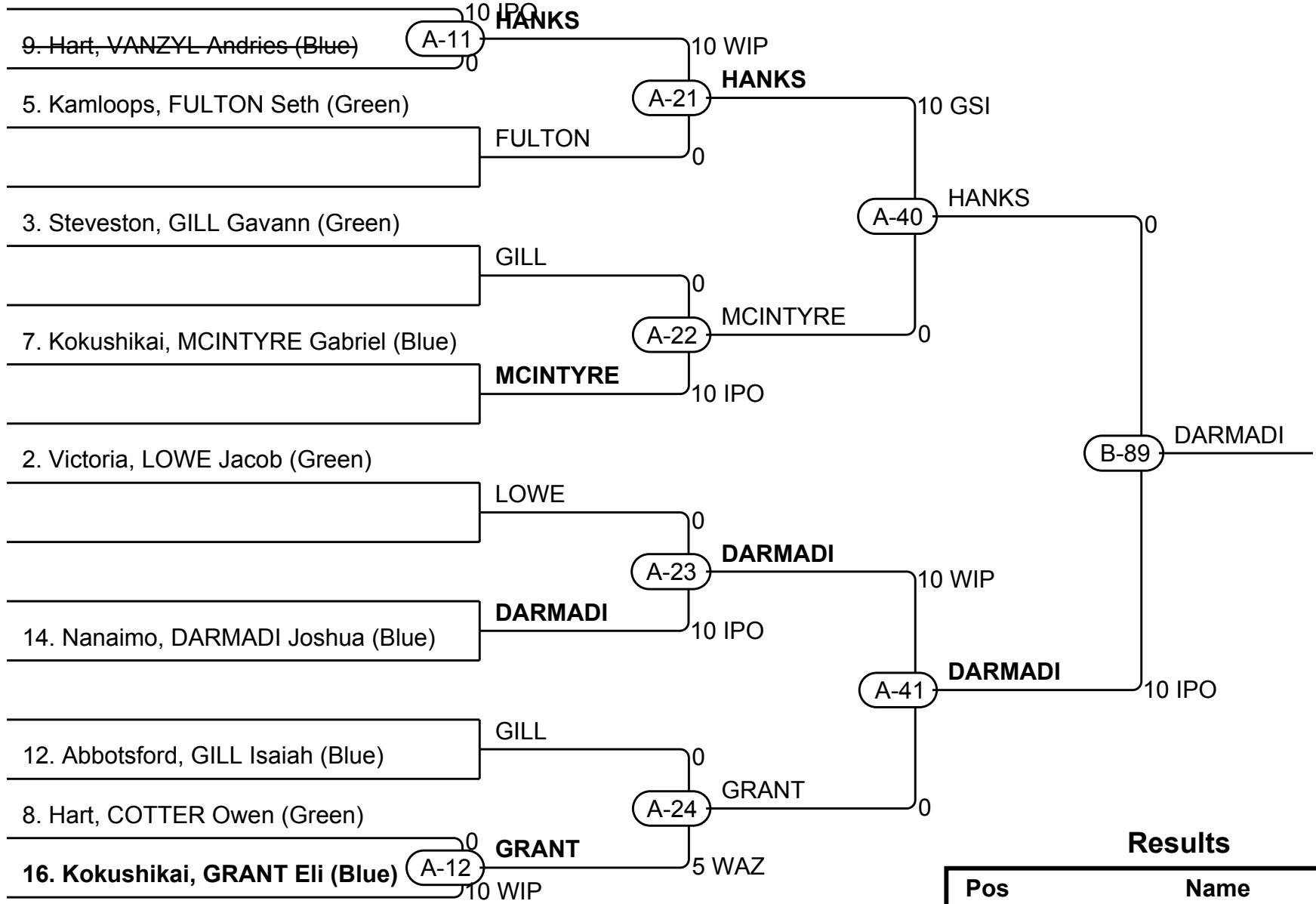
Match	White		Blue		Result	Time	Code
C-21	WEBB Dakota	1	2	CALDER Mira			
C-22	DARMADI Hannah	3	4	JACOBS Yana	0 - 10	1:51	IPO
C-38	WEBB Dakota	1	3	DARMADI Hannah	0 - 5	4:07	GSW
C-39	CALDER Mira	2	4	JACOBS Yana			
C-54	WEBB Dakota	1	4	JACOBS Yana	0 - 10	1:24	IPO
C-55	CALDER Mira	2	3	DARMADI Hannah			

Results

Pos	Name
1	Campbell R., JACOBS Yana
2	Nanaimo, DARMADI Hannah
3	Kokushikai, WEBB Dakota
4	Kokushikai, CALDER Mira

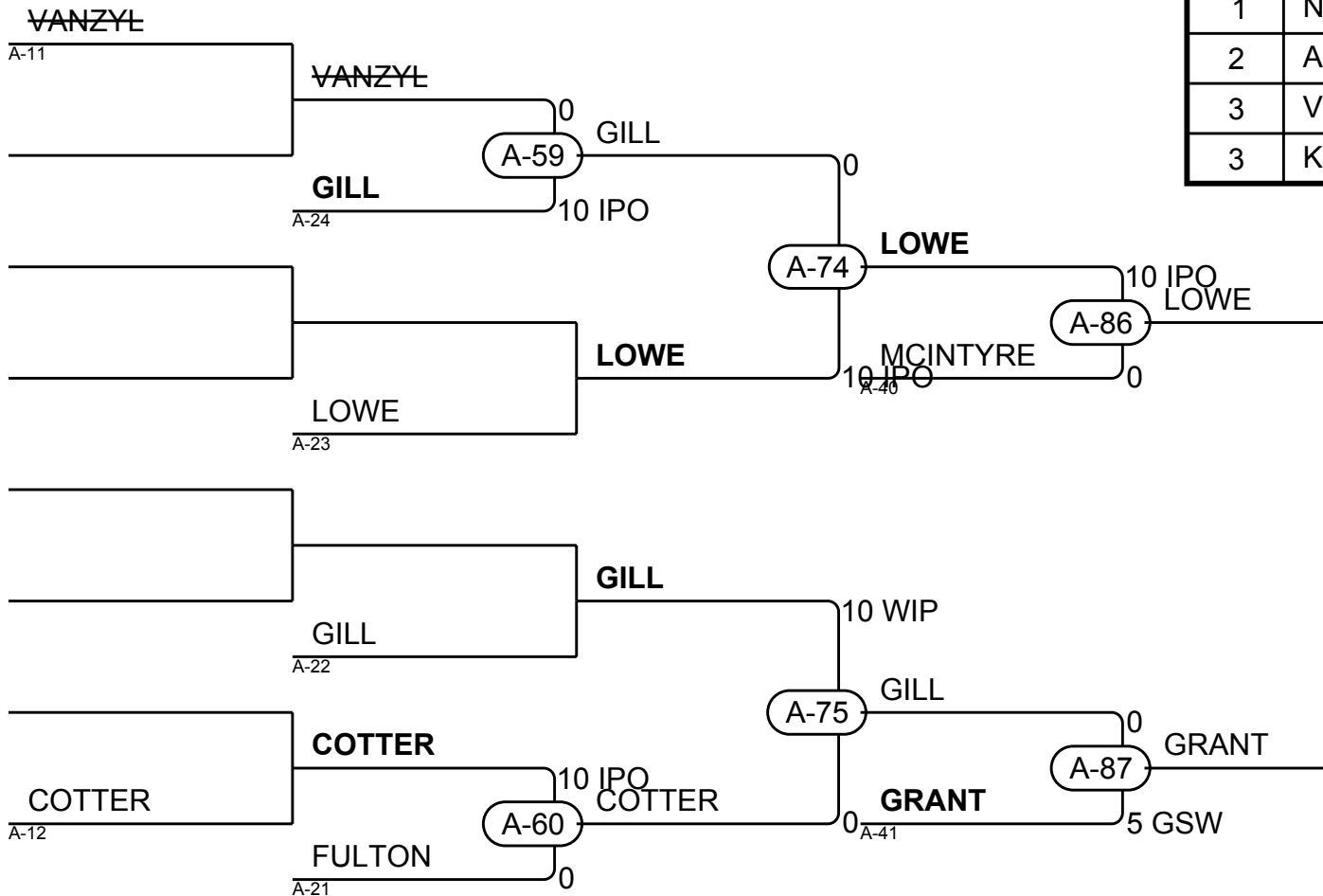
U18M-50

1. Aberdeen, HANKS Graeme (Blue)

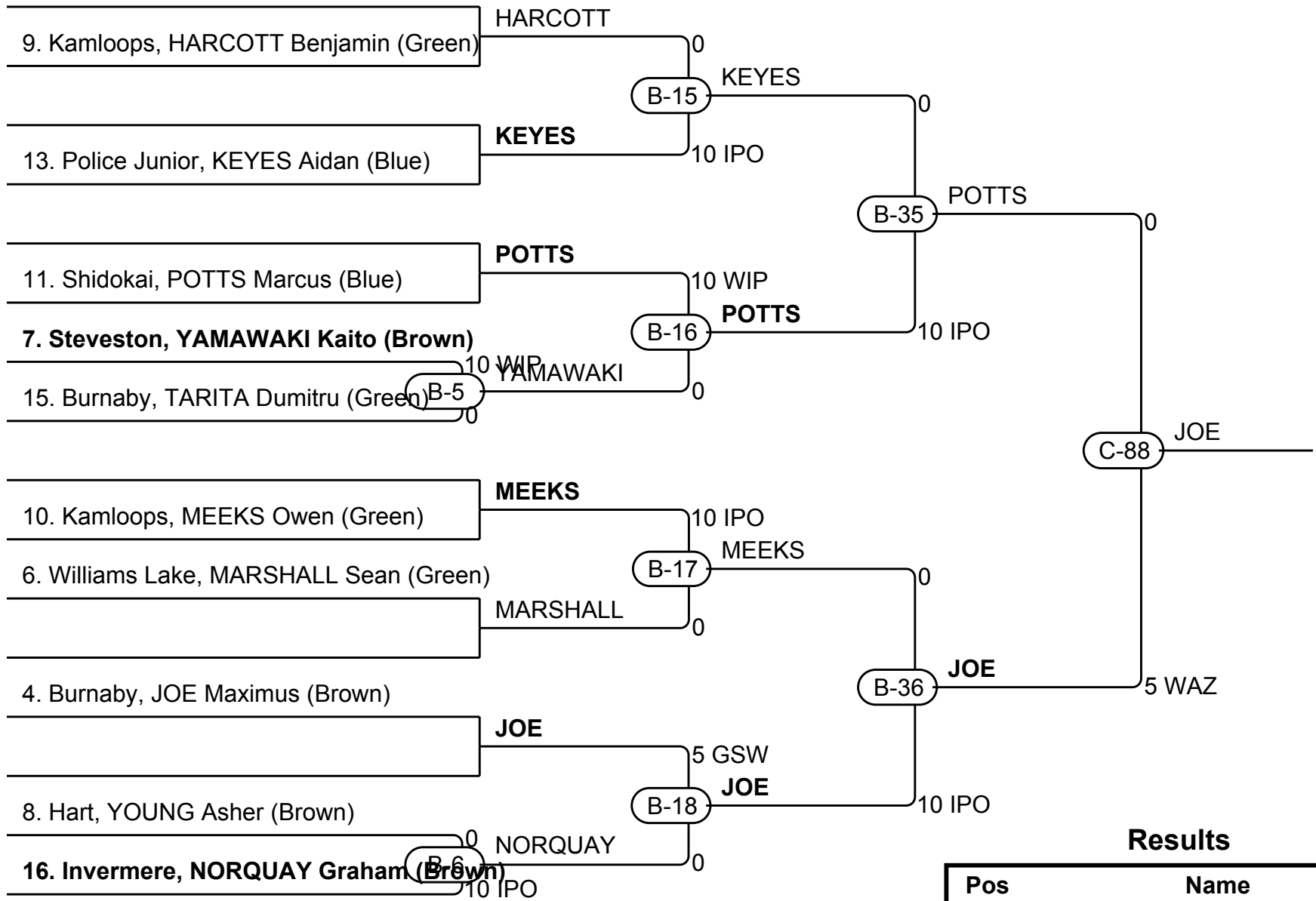


Results

Pos	Name
1	Nanaimo, DARMADI Joshua
2	Aberdeen, HANKS Graeme
3	Victoria, LOWE Jacob
3	Kokushikai, GRANT Eli

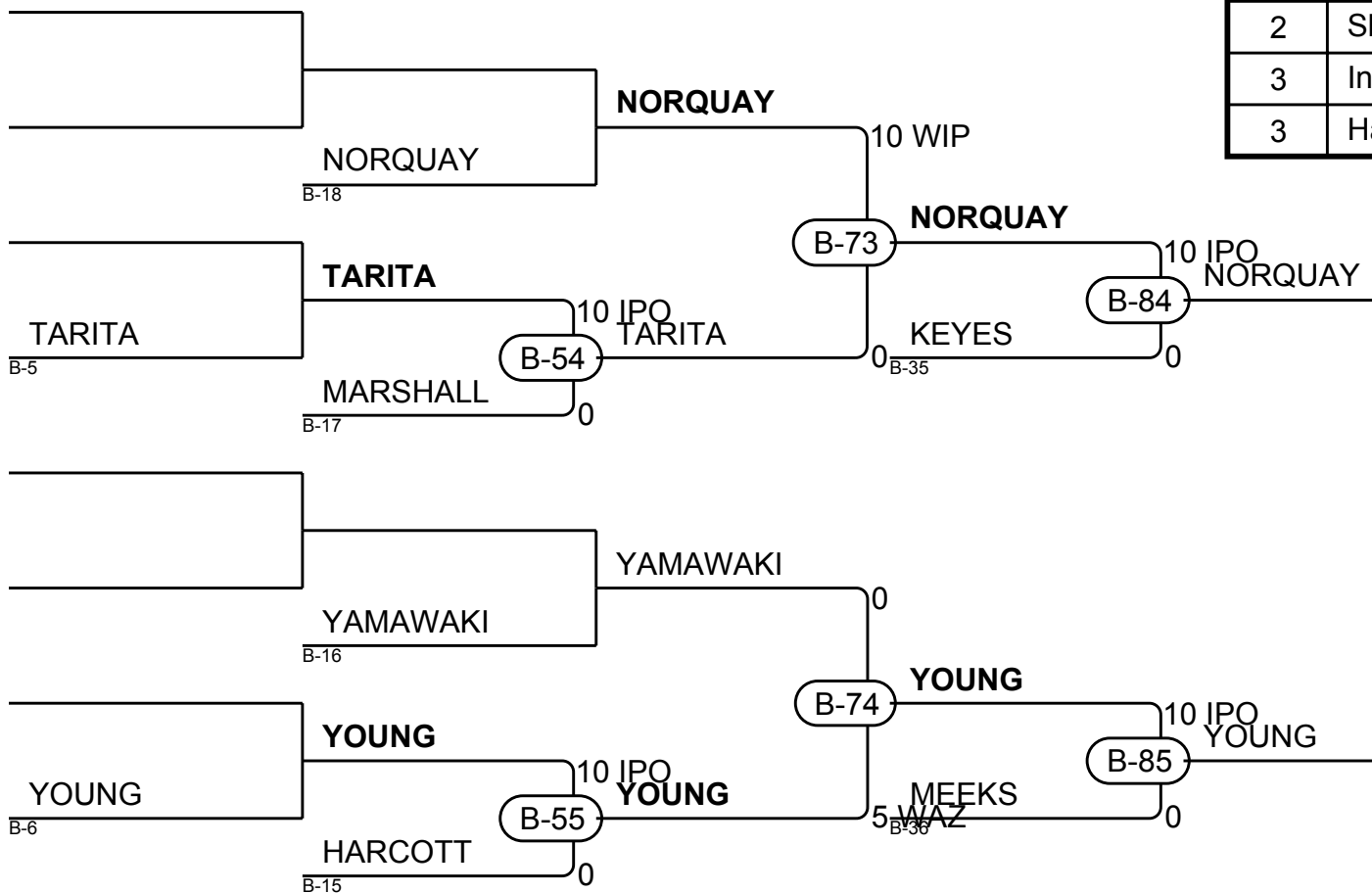


U18M-55

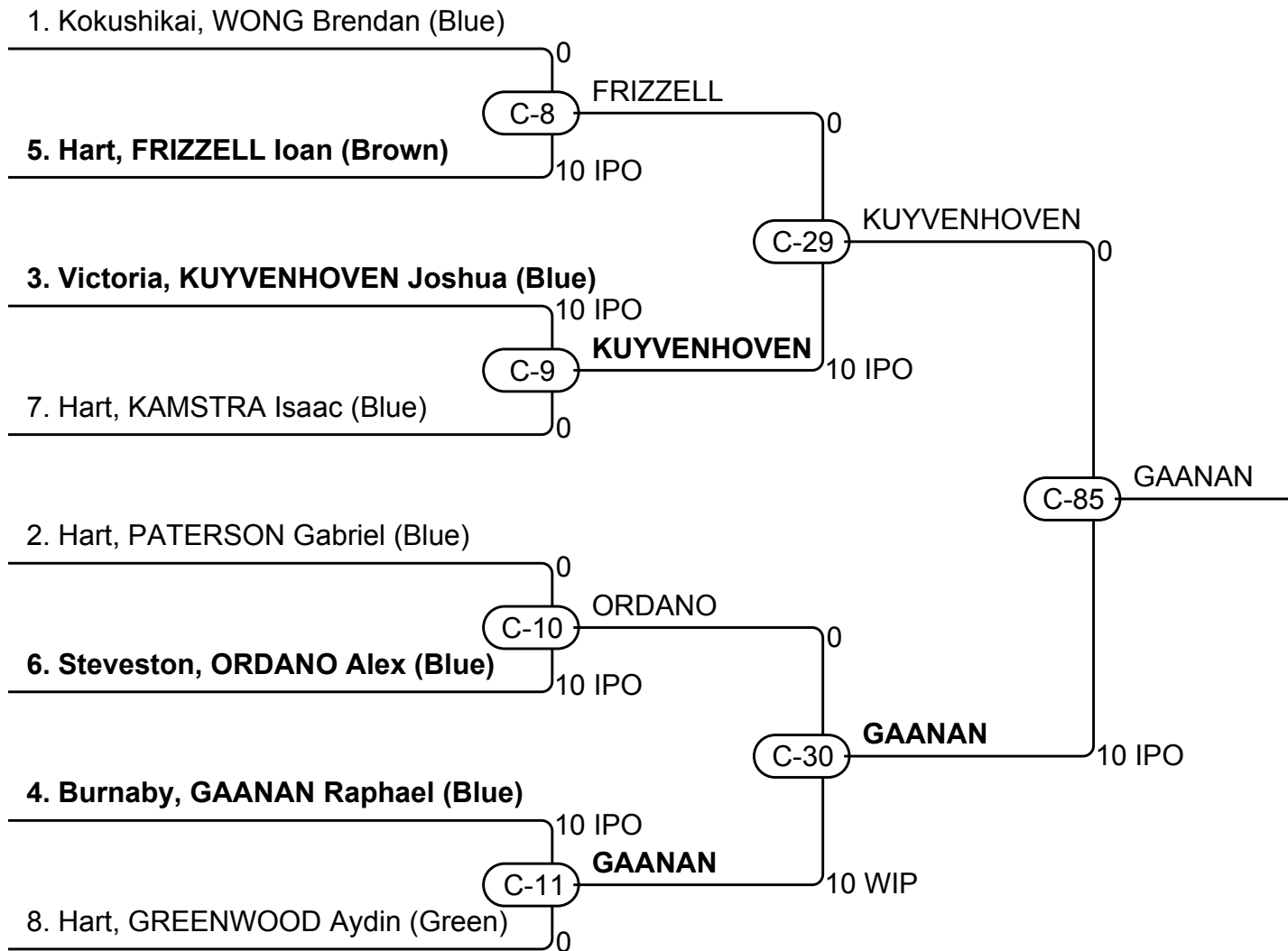


Results

Pos	Name
1	Burnaby, JOE Maximus
2	Shidokai, POTTTS Marcus
3	Invermere, NORQUAY Graham
3	Hart, YOUNG Asher

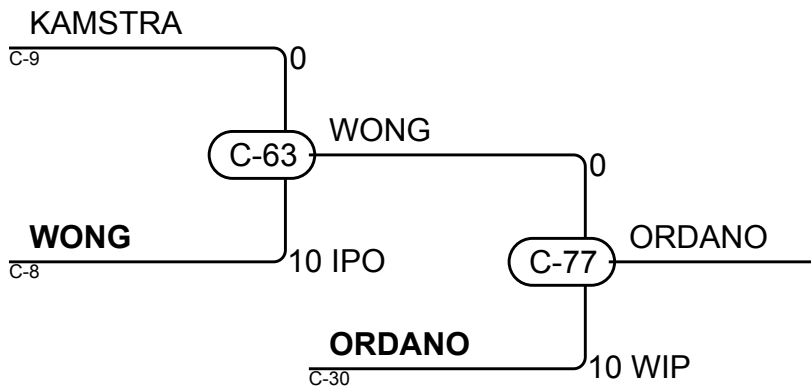
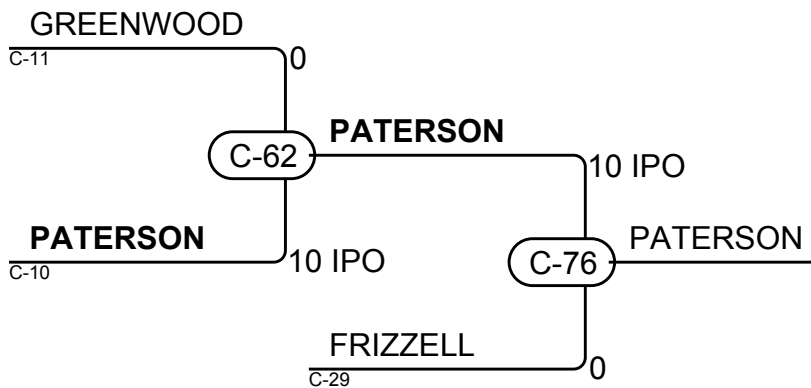


U18M-60



Results

Pos	Name
1	Burnaby, GAANAN Raphael
2	Victoria, KUYVENHOVEN Joshua
3	Hart, PATERSON Gabriel
3	Steveston, ORDANO Alex



U18M-66

Competitors

#	Name	Grade	Club	1	2	3	4	5	Wins	Pts	Pos
1	SCHENK Matthias	Brown	Hart	XX			10	10	2	20	3
2	TAN Mark	Shodan	Burnaby	10	XX	10	10	10	4	40	1
3	MCCABE Caine	Brown	Kelowna	10		XX	10	10	3	30	2
4	YAMAGUCHI Hiromu	Blue	Police Junior				XX	10	1	10	4
5	LEE Austin	Green	Police Junior					XX	0	0	5

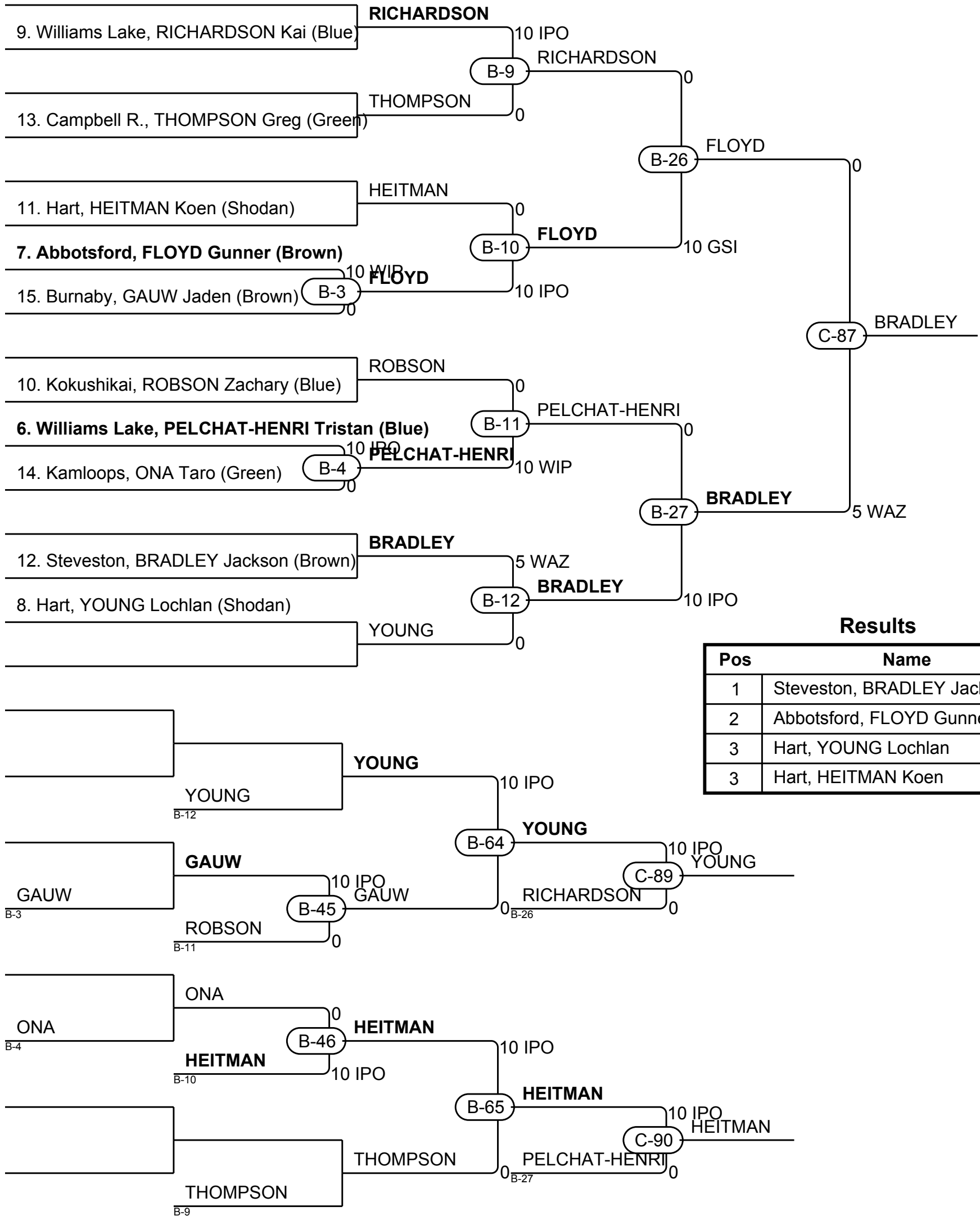
Matches

Match	White			Blue	Result	Time	Code
A-25	YAMAGUCHI Hiromu	4	5	LEE Austin	10 - 0	0:37	IPO
A-26	SCHENK Matthias	1	2	TAN Mark	0 - 10	0:47	IPO
A-29	MCCABE Caine	3	4	YAMAGUCHI Hiromu	10 - 0	2:08	IPO
A-30	SCHENK Matthias	1	5	LEE Austin	10 - 0	0:23	IPO
A-43	TAN Mark	2	3	MCCABE Caine	10 - 0	2:34	WIP
A-44	SCHENK Matthias	1	4	YAMAGUCHI Hiromu	10 - 0	0:43	IPO
A-62	MCCABE Caine	3	5	LEE Austin	10 - 0	0:40	WIP
A-63	TAN Mark	2	4	YAMAGUCHI Hiromu	10 - 0	2:57	IPO
A-77	SCHENK Matthias	1	3	MCCABE Caine	0 - 10	4:00	IPO
A-78	TAN Mark	2	5	LEE Austin	10 - 0	0:52	IPO

Results

Pos	Name
1	Burnaby, TAN Mark
2	Kelowna, MCCABE Caine
3	Hart, SCHENK Matthias
4	Police Junior, YAMAGUCHI Hiromu
5	Police Junior, LEE Austin

U18M-73



Results

Pos	Name
1	Steveston, BRADLEY Jackson
2	Abbotsford, FLOYD Gunner
3	Hart, YOUNG Lochlan
3	Hart, HEITMAN Koen

U18M-81

Competitors A

#	Name	Grade	Club	1	2	3	4	Wins	Pts	Pos
1	DEKERGOMMEAUX Nicolas	Blue	Kelowna	XX		10		1	10	3
2	GHANBARI Amirali	Green	Burnaby	10	XX	10		2	20	2
3	JING Pierce	Blue	Steveston			XX		0	0	4
4	HARRIS Payton	Shodan	Abbotsford	10	10	10	XX	3	30	1

Matches A

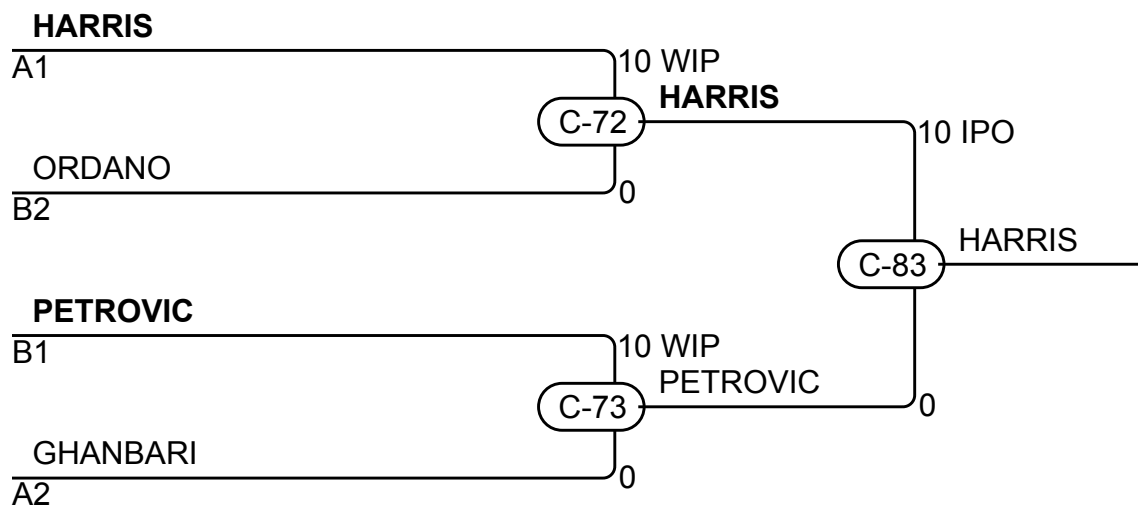
Match	White	Blue	Result	Time	Code
C-23	DEKERGOMMEAUX Nicolas 1 2	GHANBARI Amirali	0 - 10	1:00	IPO
C-24	JING Pierce 3 4	HARRIS Payton	0 - 10	0:42	IPO
C-40	DEKERGOMMEAUX Nicolas 1 3	JING Pierce	10 - 0	0:19	IPO
C-41	GHANBARI Amirali 2 4	HARRIS Payton	0 - 10	0:55	IPO
C-56	DEKERGOMMEAUX Nicolas 1 4	HARRIS Payton	0 - 10	0:28	IPO
C-57	GHANBARI Amirali 2 3	JING Pierce	10 - 0	1:35	IPO

Competitors B

#	Name	Grade	Club	5	6	7	Wins	Pts	Pos
5	ORDANO Dylan	Brown	Steveston	XX	10		1	10	2
6	HUIJBREGTS Arun	Green	Kokushikai		XX		0	0	3
7	PETROVIC Nikola	Blue	Burnaby	10	10	XX	2	20	1

Matches B

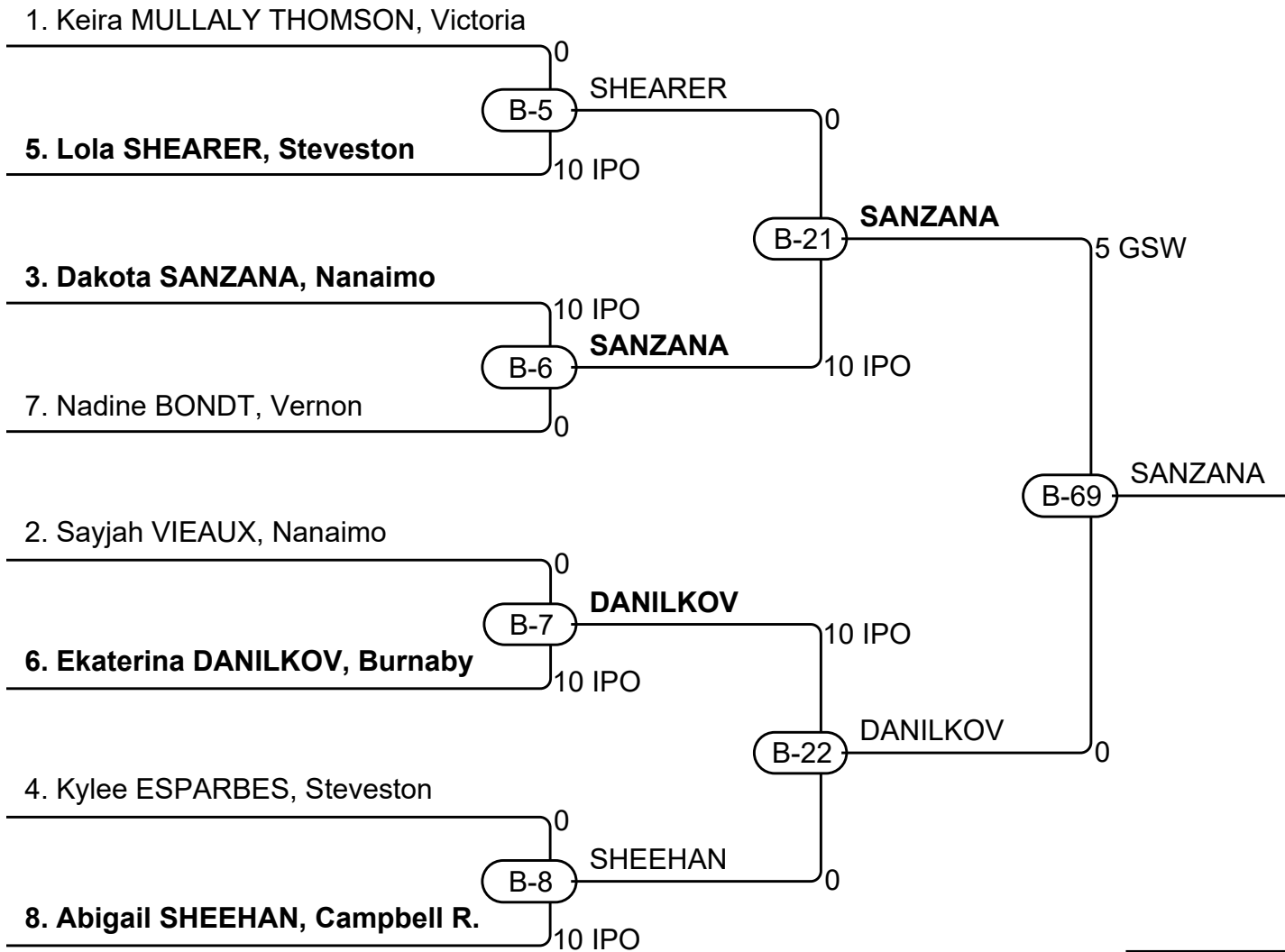
Match	White	Blue	Result	Time	Code
C-25	ORDANO Dylan 5 6	HUIJBREGTS Arun	10 - 0	1:00	IPO
C-42	ORDANO Dylan 5 7	PETROVIC Nikola	0 - 10	6:33	GSI
C-58	HUIJBREGTS Arun 6 7	PETROVIC Nikola	0 - 10	0:36	IPO



Results

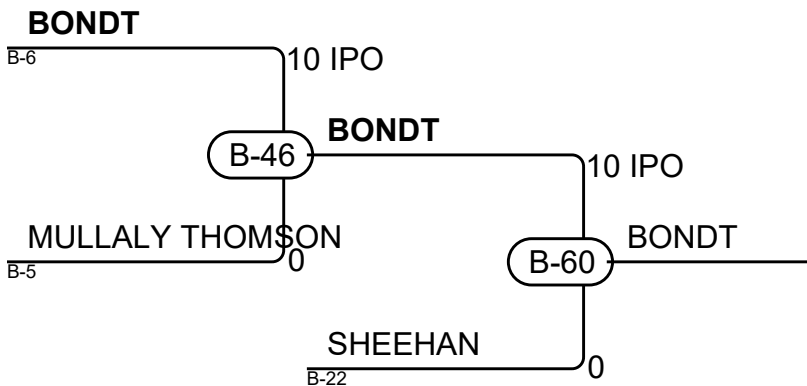
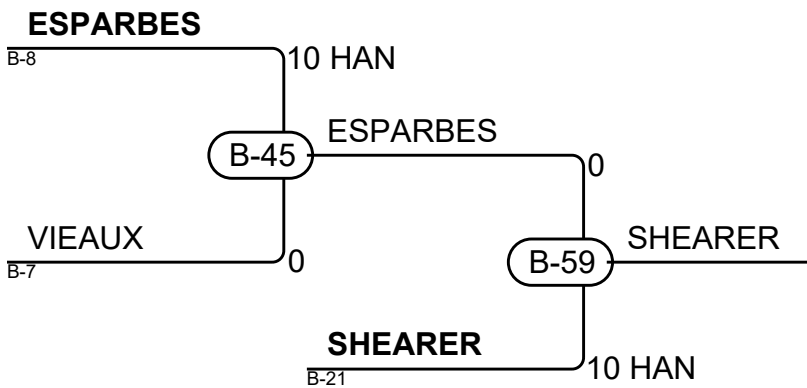
Pos	Name
1	Abbotsford, HARRIS Payton
2	Burnaby, PETROVIC Nikola
3	Steveston, ORDANO Dylan
3	Burnaby, GHANBARI Amirali

U16F-44



Results

Pos	Name
1	Dakota SANZANA, Nanaimo
2	Ekaterina DANILKOV, Burnaby
3	Lola SHEARER, Steveston
3	Nadine BONDT, Vernon



U16F-48

Competitors

#	Name	Club	1	2	3	4	5	Wins	Pts	Pos
1	Marnie RAINBOW	Invermere	XX			10		1	10	4
2	Ayumi MORITA	Police Junior	10	XX	10	10		3	30	2
3	Nova ROTBART	Burnaby	5		XX	10		2	15	3
4	Lola PALLER	Abbotsford				XX		0	0	5
5	Olivia SHEEHAN	Campbell R.	10	5	10	10	XX	4	35	1

Matches

Match	White			Blue	Result	Time	Code
C-14	Lola PALLER	4	5	Olivia SHEEHAN	0 - 10	0:33	WIP
C-15	Marnie RAINBOW	1	2	Ayumi MORITA	0 - 10	1:57	WIP
C-16	Nova ROTBART	3	4	Lola PALLER	10 - 0	2:55	WIP
C-17	Marnie RAINBOW	1	5	Olivia SHEEHAN	0 - 10	0:21	IPO
C-29	Ayumi MORITA	2	3	Nova ROTBART	10 - 0	0:43	WIP
C-30	Marnie RAINBOW	1	4	Lola PALLER	10 - 0	2:19	WIP
C-37	Nova ROTBART	3	5	Olivia SHEEHAN	0 - 10	1:07	WIP
C-38	Ayumi MORITA	2	4	Lola PALLER	10 - 0	0:46	WIP
C-50	Marnie RAINBOW	1	3	Nova ROTBART	0 - 5	3:19	GSW
C-51	Ayumi MORITA	2	5	Olivia SHEEHAN	0 - 5	3:00	WAZ

Results

Pos	Name
1	Olivia SHEEHAN, Campbell R.
2	Ayumi MORITA, Police Junior
3	Nova ROTBART, Burnaby
4	Marnie RAINBOW, Invermere
5	Lola PALLER, Abbotsford

U16F-57

Competitors A

#	Name	Club	1	2	3	Wins	Pts	Pos
1	Beata SCHENK	Burnaby	XX	10	10	2	20	1
2	Cathy HOU	Steveston		XX		0	0	3
3	Molly GIRVIN	Campbell R.		5	XX	1	5	2

Matches A

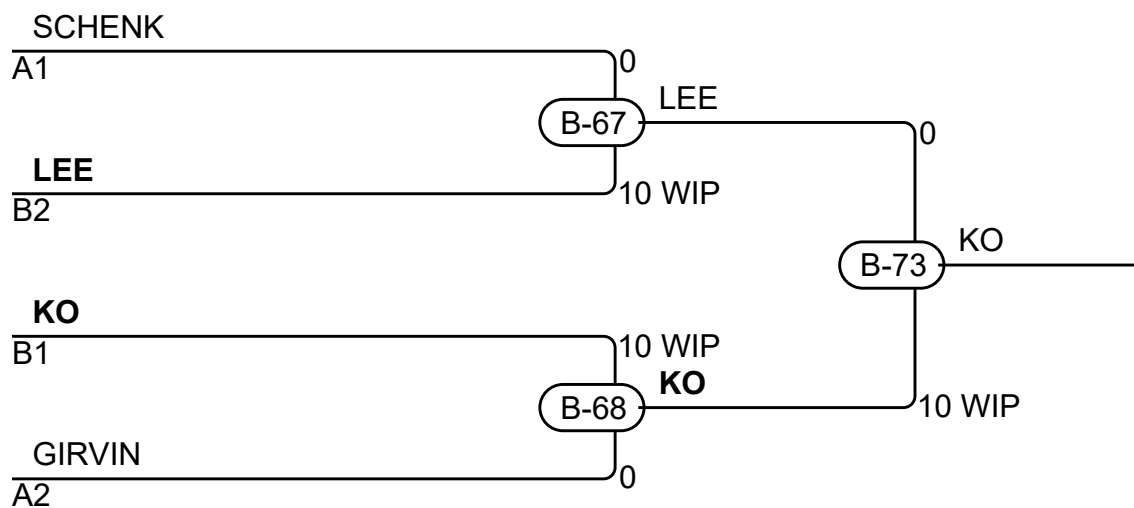
Match	White	Blue	Result	Time	Code
B-31	Beata SCHENK 1 2	Cathy HOU	10 - 0	5:37	HAN
B-41	Beata SCHENK 1 3	Molly GIRVIN	10 - 0	0:01	IPO
B-55	Cathy HOU 2 3	Molly GIRVIN	0 - 5	3:00	WAZ

Competitors B

#	Name	Club	4	5	6	Wins	Pts	Pos
4	Annika HUIJBREGTS	Kokushikai	XX			0	0	3
5	Hailey KO	Burnaby	10	XX	10	2	20	1
6	Zoe LEE	Burnaby	10		XX	1	10	2

Matches B

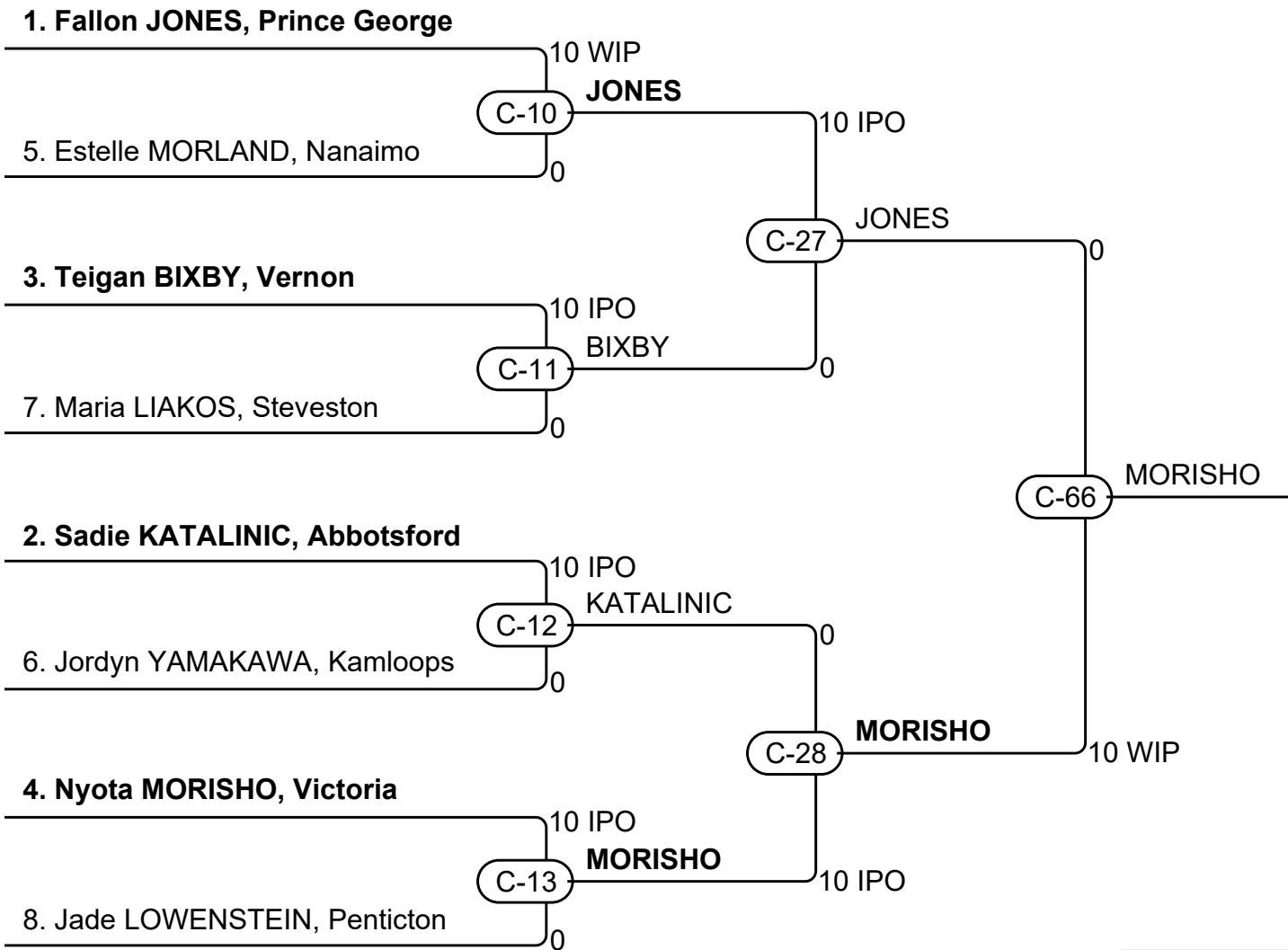
Match	White	Blue	Result	Time	Code
B-32	Annika HUIJBREGTS 4 5	Hailey KO	0 - 10	0:08	IPO
B-42	Annika HUIJBREGTS 4 6	Zoe LEE	0 - 10	0:04	IPO
B-56	Hailey KO 5 6	Zoe LEE	10 - 0	1:53	WIP



Results

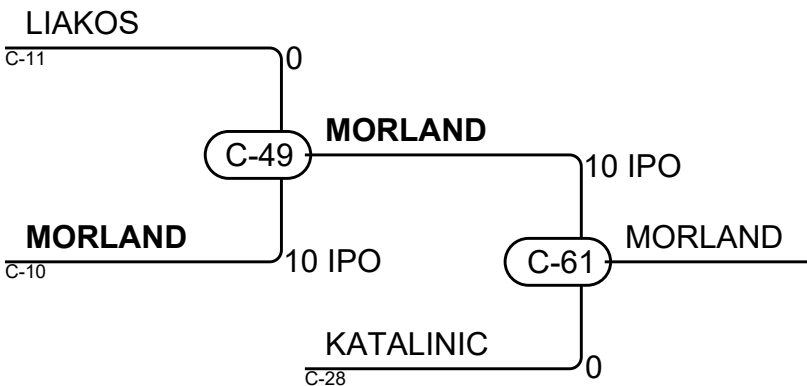
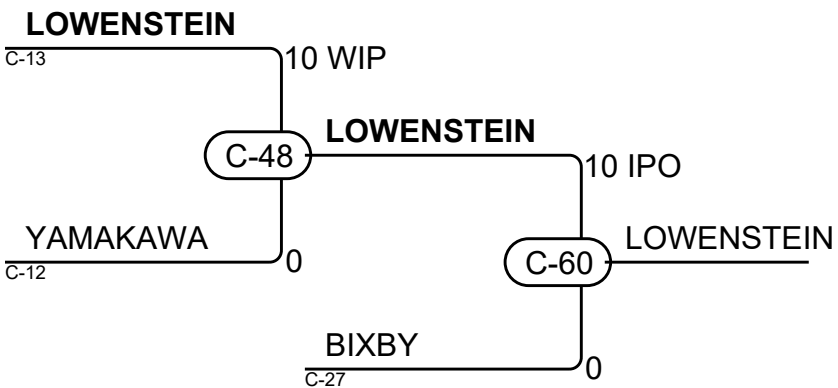
Pos	Name
1	Hailey KO, Burnaby
2	Zoe LEE, Burnaby
3	Beata SCHENK, Burnaby
3	Molly GIRVIN, Campbell R.

U16F-70

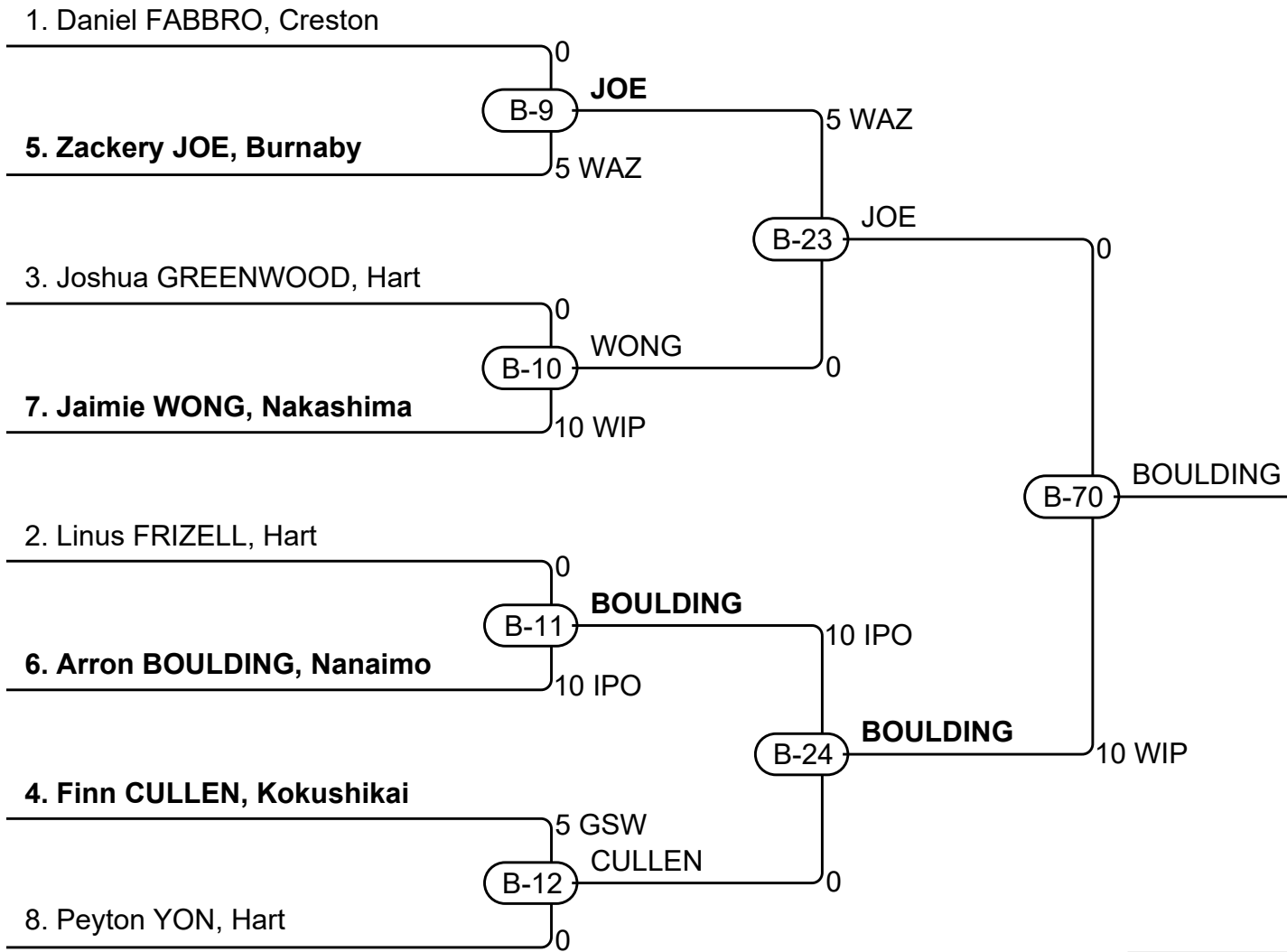


Results

Pos	Name
1	Nyota MORISHO, Victoria
2	Fallon JONES, Prince George
3	Jade LOWENSTEIN, Penticton
3	Estelle MORLAND, Nanaimo

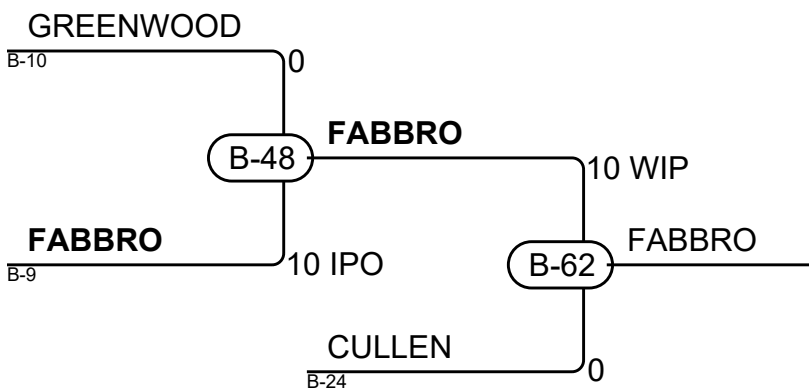
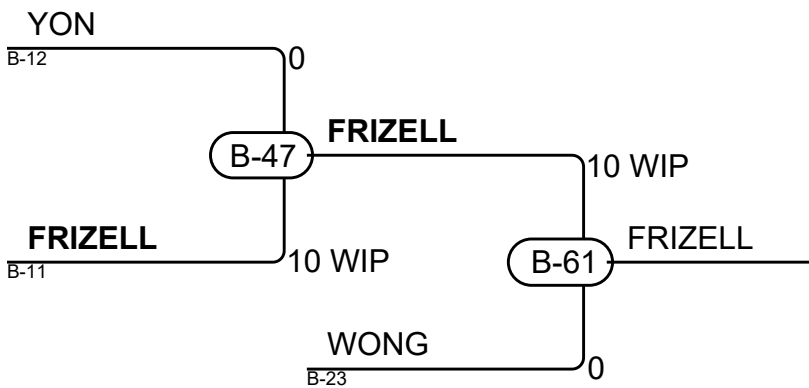


U16M-38



Results

Pos	Name
1	Arron BOULDING, Nanaimo
2	Zackery JOE, Burnaby
3	Linus FRIZELL, Hart
3	Daniel FABBRO, Creston



U16M-42

Competitors A

#	Name	Club	1	2	3	4	Wins	Pts	Pos
1	Corbin HILMAN	Prince George	XX		10		1	10	3
2	Peter VELONAS	Arashi	10	XX		5	2	15	2
3	Braden PETERSON	Campbell R.		10	XX		1	10	4
4	Carter HARRIS	Abbotsford	10		10	XX	2	20	1

Matches A

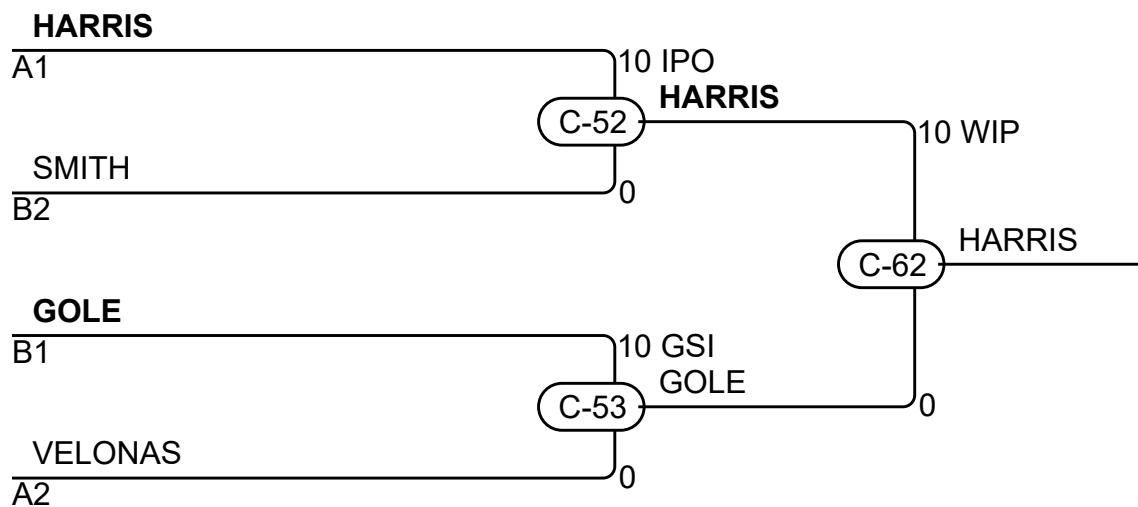
Match	White	Blue	Result	Time	Code
C-18	Corbin HILMAN 1 2	Peter VELONAS	0 - 10	1:46	IPO
C-19	Braden PETERSON 3 4	Carter HARRIS	0 - 10	0:53	WIP
C-31	Corbin HILMAN 1 3	Braden PETERSON	10 - 0	0:57	IPO
C-32	Peter VELONAS 2 4	Carter HARRIS	5 - 0	1:09	WAZ
C-39	Corbin HILMAN 1 4	Carter HARRIS	0 - 10	1:50	IPO
C-40	Peter VELONAS 2 3	Braden PETERSON	0 - 10	2:09	IPO

Competitors B

#	Name	Club	5	6	7	Wins	Pts	Pos
5	Flynn SMITH	Mile Zero	XX		10	1	10	2
6	Charlie GOLE	Campbell R.	10	XX	10	2	20	1
7	Aidan COTTER	Hart			XX	0	0	3

Matches B

Match	White	Blue	Result	Time	Code
C-20	Flynn SMITH 5 6	Charlie GOLE	0 - 10	0:10	IPO
C-33	Flynn SMITH 5 7	Aidan COTTER	10 - 0	2:56	IPO
C-41	Charlie GOLE 6 7	Aidan COTTER	10 - 0	0:07	IPO



Results

Pos	Name
1	Carter HARRIS, Abbotsford
2	Charlie GOLE, Campbell R.
3	Flynn SMITH, Mile Zero
3	Peter VELONAS, Arashi

U16M-42TIE

Competitors

#	Name	Club	1	2	3	Wins	Pts	Pos
1	Peter VELONAS	Arashi	XX	10	10	2	20	
2	Braden PETERSON	Campbell R.		XX				
3	Corbin HILMAN	Prince George			XX			

Matches

Match	White			Blue	Result	Time	Code
C-49A	Peter VELONAS	1	2	Braden PETERSON	10 - 0	1:54	IPO
C-54A	Peter VELONAS	1	3	Corbin HILMAN	10 - 0	1:00	IPO
3	Braden PETERSON	2	3	Corbin HILMAN			

Results

Pos	Name
1	
2	
3	

U16M-46

Competitors A

#	Name	Club	1	2	3	Wins	Pts	Pos
1	Graeme HANKS	Aberdeen	XX	10	10	2	20	1
2	Theodore MANEV	Burnaby		XX		0	0	3
3	Spencer CYR	Abbotsford		5	XX	1	5	2

Matches A

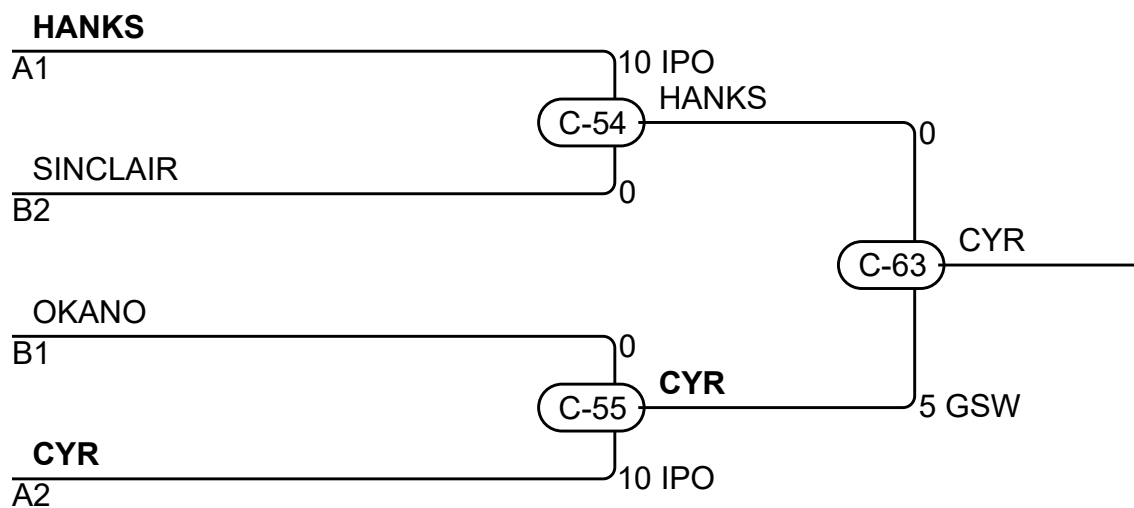
Match	White	Blue	Result	Time	Code
C-21	Graeme HANKS 1 2	Theodore MANEV	10 - 0	1:11	WIP
C-34	Graeme HANKS 1 3	Spencer CYR	10 - 0	0:19	IPO
C-42	Theodore MANEV 2 3	Spencer CYR	0 - 5	3:00	WAZ

Competitors B

#	Name	Club	4	5	6	Wins	Pts	Pos
4	Aaron OKANO	Aberdeen	XX	10	10	2	20	1
5	Benjamin SINCLAIR	Aberdeen		XX	10	1	10	2
6	Seth FULTON	Kamloops			XX	0	0	3

Matches B

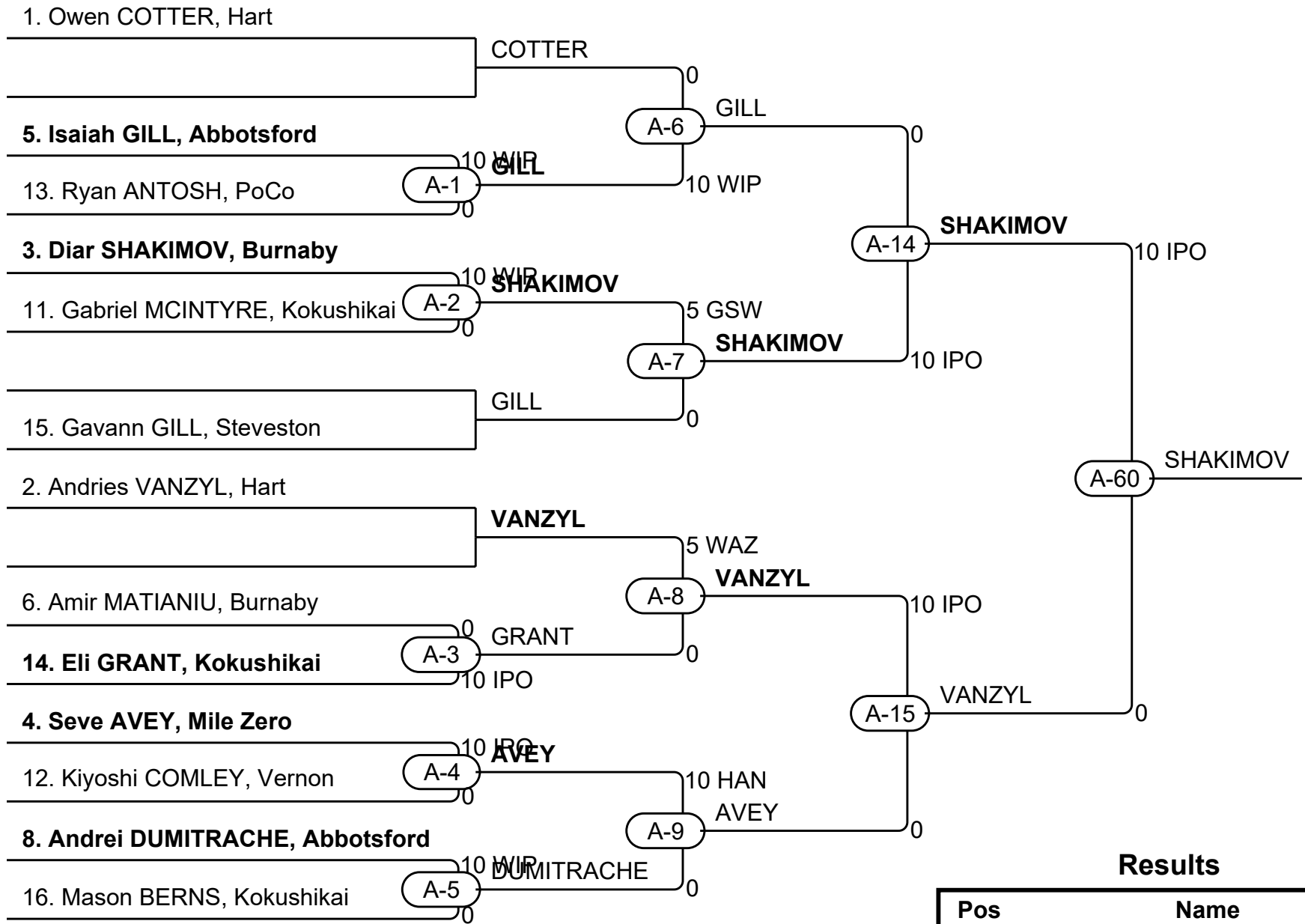
Match	White	Blue	Result	Time	Code
C-22	Aaron OKANO 4 5	Benjamin SINCLAIR	10 - 0	0:32	WIP
C-35	Aaron OKANO 4 6	Seth FULTON	10 - 0	0:37	WIP
C-43	Benjamin SINCLAIR 5 6	Seth FULTON	10 - 0	1:32	IPO



Results

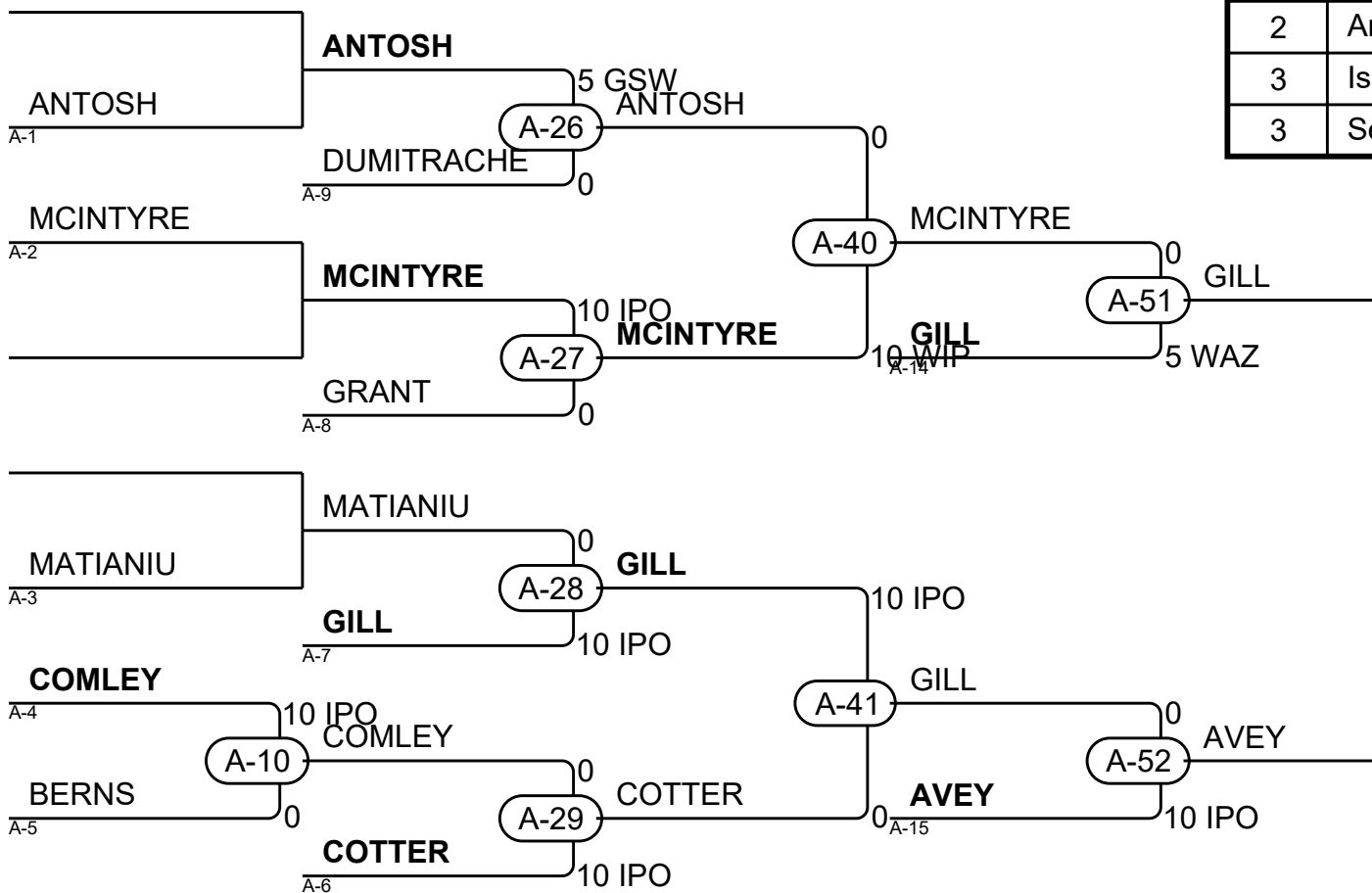
Pos	Name
1	Spencer CYR, Abbotsford
2	Graeme HANKS, Aberdeen
3	Benjamin SINCLAIR, Aberdeen
3	Aaron OKANO, Aberdeen

U16M-50

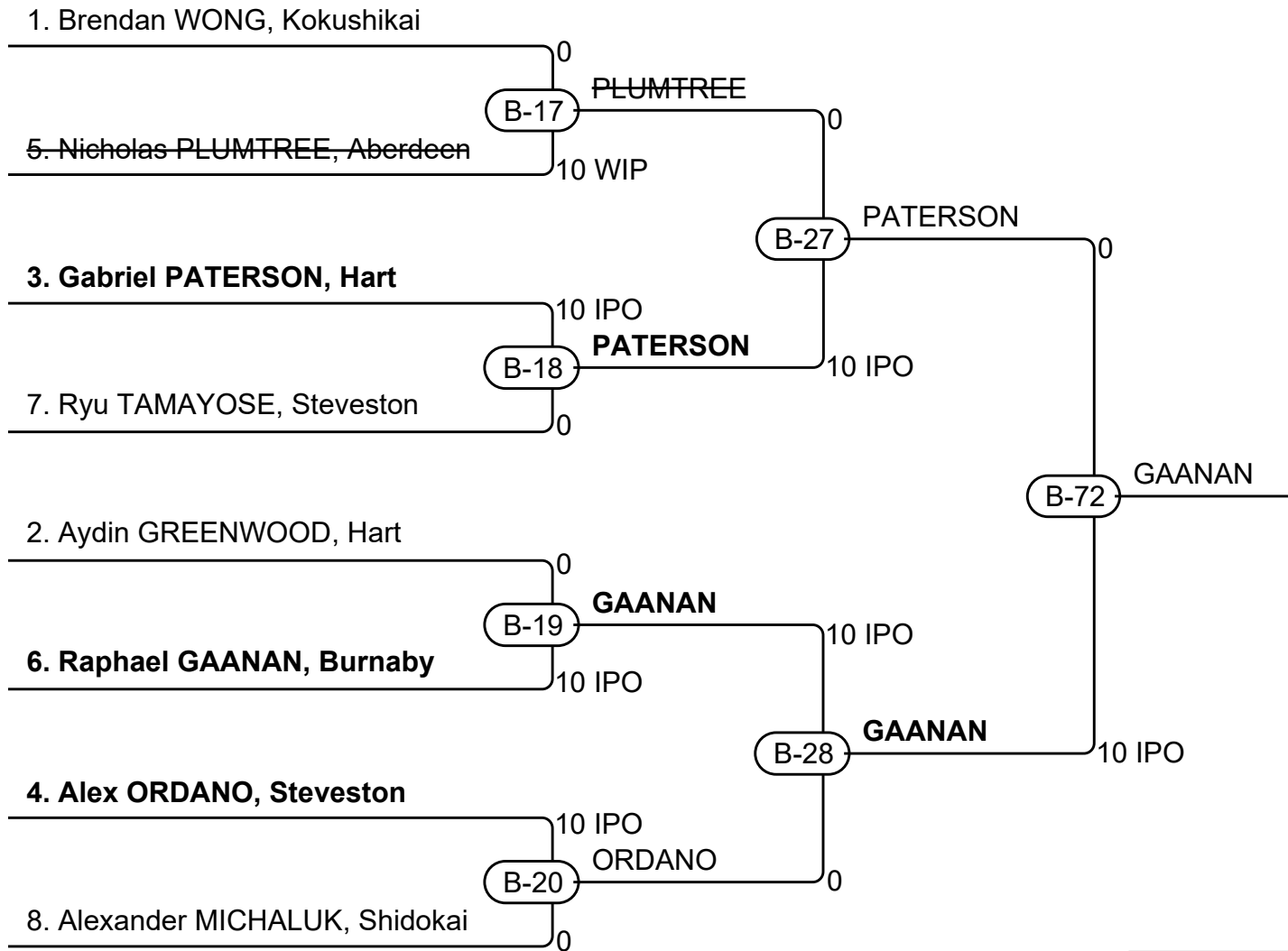


Results

Pos	Name
1	Diar SHAKIMOV, Burnaby
2	Andries VANZYL, Hart
3	Isaiah GILL, Abbotsford
3	Seve AVEY, Mile Zero

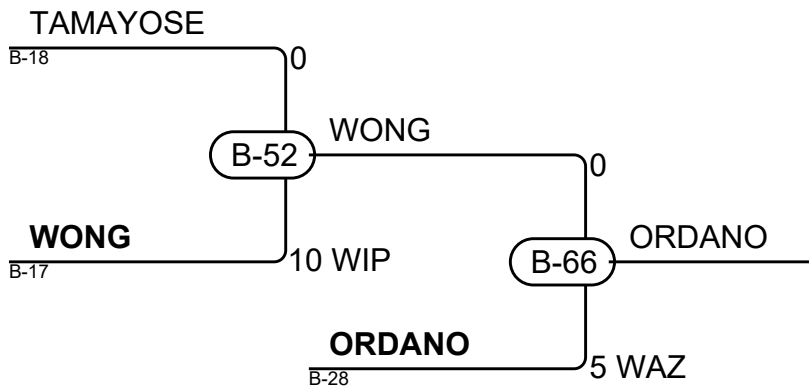
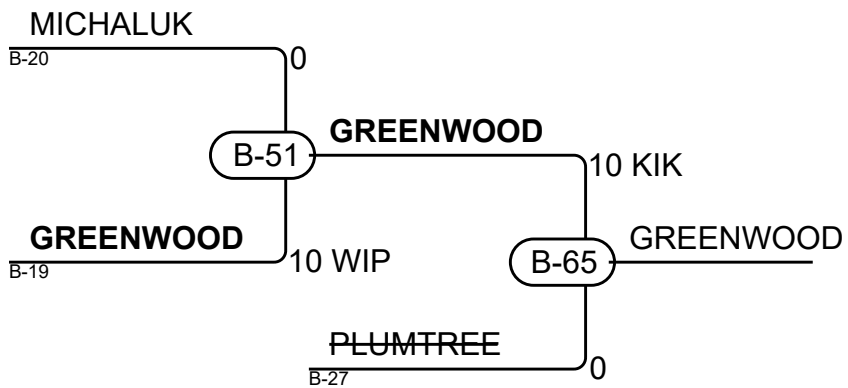


U16M-60



Results

Pos	Name
1	Raphael GAANAN, Burnaby
2	Gabriel PATERSON, Hart
3	Aydin GREENWOOD, Hart
3	Alex ORDANO, Steveston



U16M-73

Competitors A

#	Name	Club	1	2	3	Wins	Pts	Pos
1	Julian RITSON	Mile Zero	XX			0	0	3
2	Taro ONA	Kamloops	10	XX		1	10	2
3	Lachlan KEIRN	Creston	10	10	XX	2	20	1

Matches A

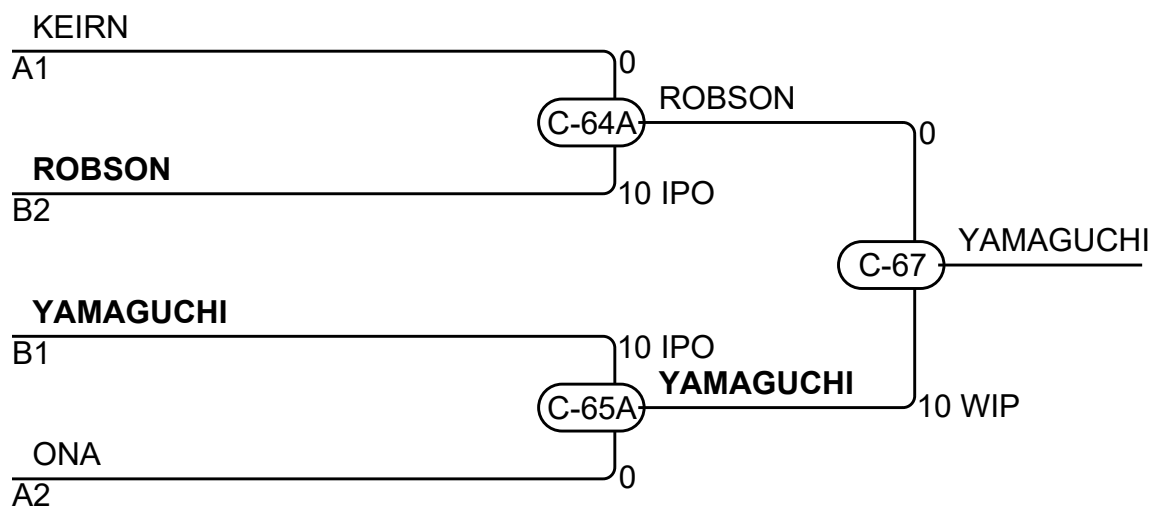
Match	White	Blue	Result	Time	Code
A-21	Julian RITSON 1 2	Taro ONA	0 - 10	1:39	WIP
C-59C	Julian RITSON 1 3	Lachlan KEIRN	0 - 10	2:59	WIP
C-59A	Taro ONA 2 3	Lachlan KEIRN	0 - 10	0:55	WIP

Competitors B

#	Name	Club	4	5	6	Wins	Pts	Pos
4	Hiromu YAMAGUCHI	Police Junior	XX	10	10	2	20	1
5	Martinus VAN ZYL	Hart		XX		0	0	3
6	Zachary ROBSON	Kokushikai		10	XX	1	10	2

Matches B

Match	White	Blue	Result	Time	Code
A-22	Hiromu YAMAGUCHI 4 5	Martinus VAN ZYL	10 - 0	0:06	IPO
C-59B	Hiromu YAMAGUCHI 4 6	Zachary ROBSON	10 - 0	0:22	IPO
C-59E	Martinus VAN ZYL 5 6	Zachary ROBSON	0 - 10	2:52	WIP



Results

Pos	Name
1	Hiromu YAMAGUCHI, Police Junior
2	Zachary ROBSON, Kokushikai
3	Lachlan KEIRN, Creston
3	Taro ONA, Kamloops

U16M-73TIE

Competitors

#	Name	Club	1	2	3	Wins	Pts	Pos
1	Julian RITSON	Mile Zero	XX			0	0	3
2	Lachlan KEIRN	Creston	10	XX	10	2	20	1
3	Taro ONA	Kamloops	10		XX	1	10	2

Matches

Match	White			Blue	Result	Time	Code
C-61D	Julian RITSON	1	2	Lachlan KEIRN	0 - 10	0:57	WIP
C-61C	Julian RITSON	1	3	Taro ONA	0 - 10	1:15	WIP
C-61E	Lachlan KEIRN	2	3	Taro ONA	10 - 0	0:45	IPO

Results

Pos	Name
1	Lachlan KEIRN, Creston
2	Taro ONA, Kamloops
3	Julian RITSON, Mile Zero

U16M+73

Competitors

#	Name	Club	1	2	3	4	Wins	Pts	Pos
1	Pierce JING	Steveston	XX	10	10		2	20	2
2	Ayden HARDER	Prince George		XX			0	0	4
3	Dashiell NETTLES	Kamloops		10	XX		1	10	3
4	Nikola PETROVIC	Burnaby	10	10	10	XX	3	30	1

Matches

Match	White			Blue	Result	Time	Code
B-33	Pierce JING	1	2	Ayden HARDER	10 - 0	0:14	IPO
B-34	Dashiell NETTLES	3	4	Nikola PETROVIC	0 - 10	0:25	WIP
B-43	Pierce JING	1	3	Dashiell NETTLES	10 - 0	0:54	IPO
B-44	Ayden HARDER	2	4	Nikola PETROVIC	0 - 10	0:24	WIP
B-57	Pierce JING	1	4	Nikola PETROVIC	0 - 10	1:23	WIP
B-58	Ayden HARDER	2	3	Dashiell NETTLES	0 - 10	1:00	WIP

Results

Pos	Name
1	Nikola PETROVIC, Burnaby
2	Pierce JING, Steveston
3	Dashiell NETTLES, Kamloops
4	Ayden HARDER, Prince George

U21F-52

Competitors A

#	Name	Club	1	2	3	4	Wins	Pts	Pos
1	Kimiko KAMSTRA	Hart	XX				0	0	4
2	Launa HINTON	Abbotsford	10	XX	10	10	3	30	1
3	Jasmine AL-ASHOOR	Arashi	10		XX		1	10	3
4	Rakiia LOLIEVA	Burnaby	10		10	XX	2	20	2

Matches A

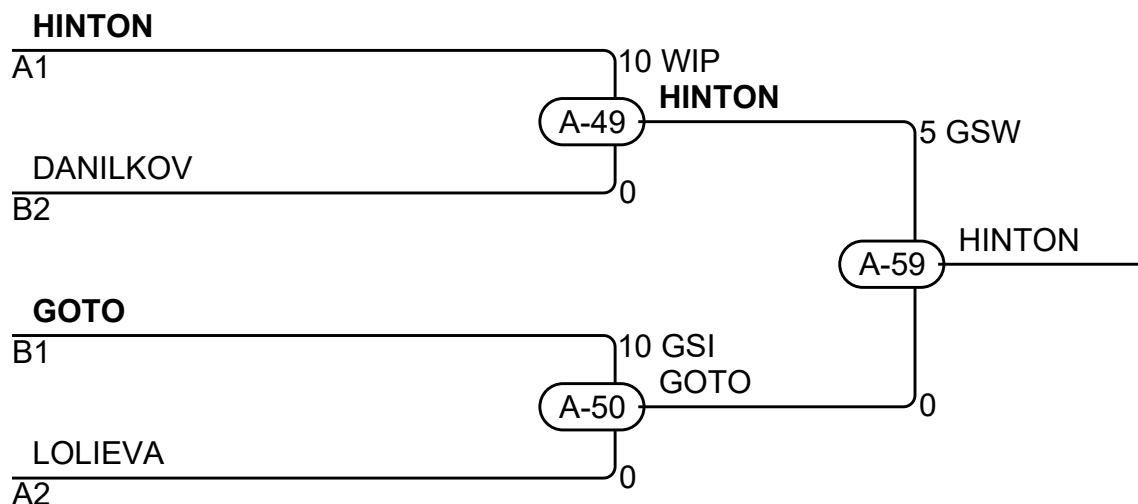
Match	White	Blue	Result	Time	Code
A-11	Kimiko KAMSTRA 1 2	Launa HINTON	0 - 10	0:12	IPO
A-12	Jasmine AL-ASHOOR 3 4	Rakiia LOLIEVA	0 - 10	1:22	IPO
A-23	Kimiko KAMSTRA 1 3	Jasmine AL-ASHOOR	0 - 10	2:38	WIP
A-24	Launa HINTON 2 4	Rakiia LOLIEVA	10 - 0	3:35	IPO
A-37	Kimiko KAMSTRA 1 4	Rakiia LOLIEVA	0 - 10	1:34	IPO
A-38	Launa HINTON 2 3	Jasmine AL-ASHOOR	10 - 0	0:38	IPO

Competitors B

#	Name	Club	5	6	7	Wins	Pts	Pos
5	Klavdia DANILKOV	Burnaby	XX		10	1	10	2
6	Tami GOTO	Prince George	10	XX	10	2	20	1
7	Brooke CORBETT	Hart			XX	0	0	3

Matches B

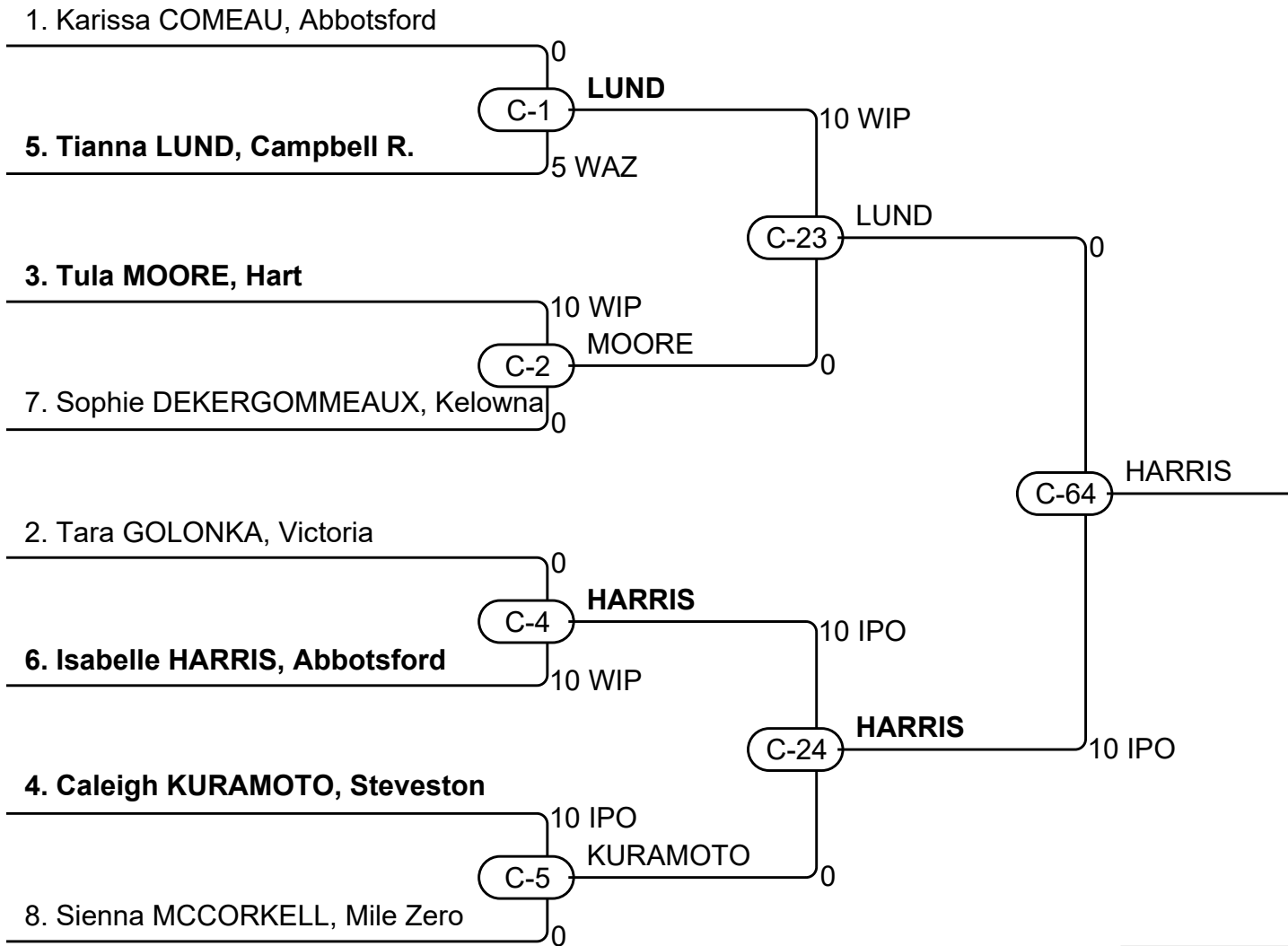
Match	White	Blue	Result	Time	Code
A-13	Klavdia DANILKOV 5 6	Tami GOTO	0 - 10	3:50	IPO
A-25	Klavdia DANILKOV 5 7	Brooke CORBETT	10 - 0	0:56	IPO
A-39	Tami GOTO 6 7	Brooke CORBETT	10 - 0	2:20	WIP



Results

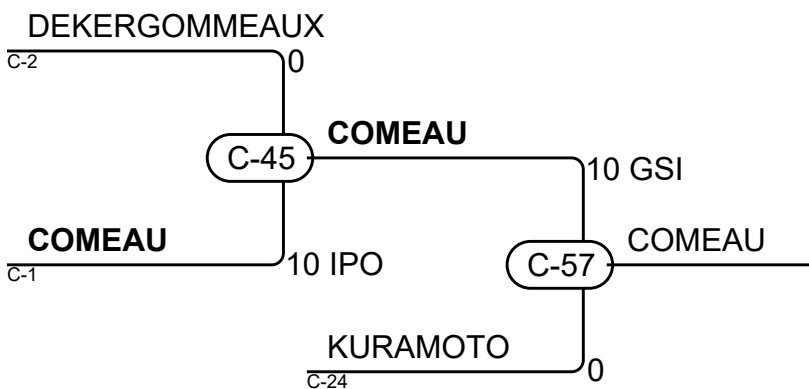
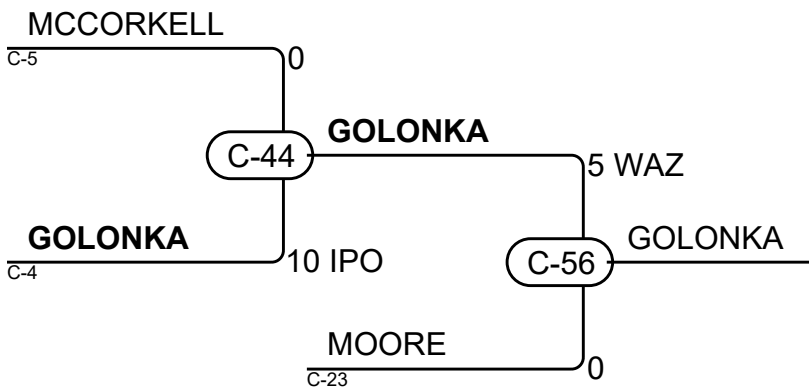
Pos	Name
1	Launa HINTON, Abbotsford
2	Tami GOTO, Prince George
3	Klavdia DANILKOV, Burnaby
3	Rakiia LOLIEVA, Burnaby

U21F-63



Results

Pos	Name
1	Isabelle HARRIS, Abbotsford
2	Tianna LUND, Campbell R.
3	Tara GOLONKA, Victoria
3	Karissa COMEAU, Abbotsford



U21F-70

Competitors

#	Name	Club	1	2	3	Wins	Pts	Pos
1	Dakota WEBB	Kokushikai	XX			0	0	3
2	Mira CALDER	Kokushikai	10	XX		1	10	2
3	Yana JACOBS	Campbell R.	10	10	XX	2	20	1

Matches

Match	White			Blue	Result	Time	Code
A-18	Dakota WEBB	1	2	Mira CALDER	0 - 10	1:09	WIP
A-32	Dakota WEBB	1	3	Yana JACOBS	0 - 10	4:21	WIP
A-44	Mira CALDER	2	3	Yana JACOBS	0 - 10	2:52	KIK

Results

Pos	Name
1	Yana JACOBS, Campbell R.
2	Mira CALDER, Kokushikai
3	Dakota WEBB, Kokushikai

U21M-60

Competitors A

#	Name	Club	1	2	3	Wins	Pts	Pos
1	Kaito YAMAWAKI	Steveston	XX			0	0	3
2	Joshua KUYVENHOVEN	Victoria	10	XX		1	10	2
3	Ioan FRIZZELL	Hart	10	10	XX	2	20	1

Matches A

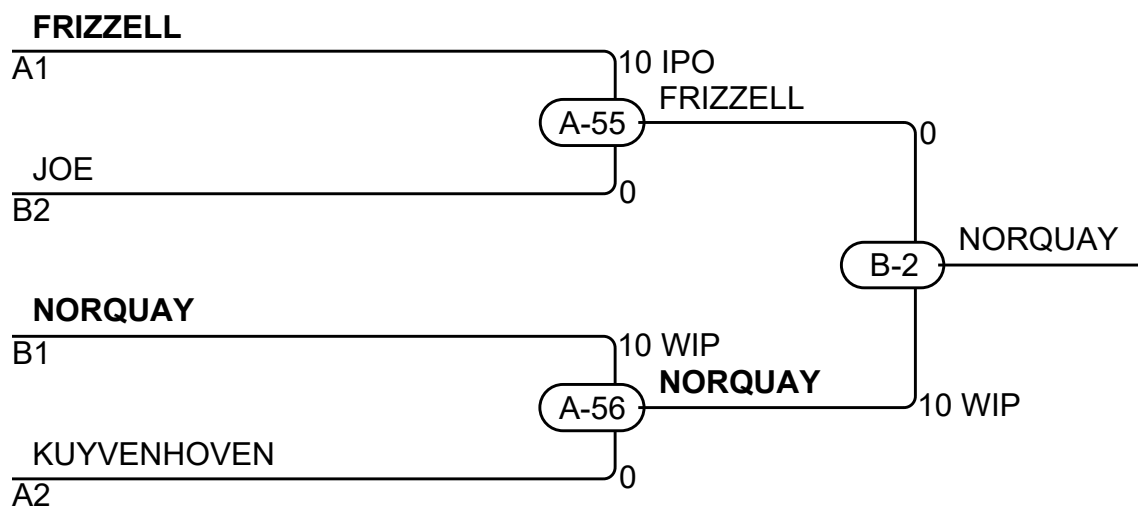
Match	White	Blue	Result	Time	Code
A-19	Kaito YAMAWAKI 1 2	Joshua KUYVENHOVEN	0 - 10	2:56	WIP
A-33	Kaito YAMAWAKI 1 3	Ioan FRIZZELL	0 - 10	5:13	GSI
A-45	Joshua KUYVENHOVEN 2 3	Ioan FRIZZELL	0 - 10	2:40	IPO

Competitors B

#	Name	Club	4	5	6	Wins	Pts	Pos
4	Maximus JOE	Burnaby	XX		10	1	10	2
5	Graham NORQUAY	Invermere	10	XX	10	2	20	1
6	Aidan KEYES	Police Junior			XX	0	0	3

Matches B

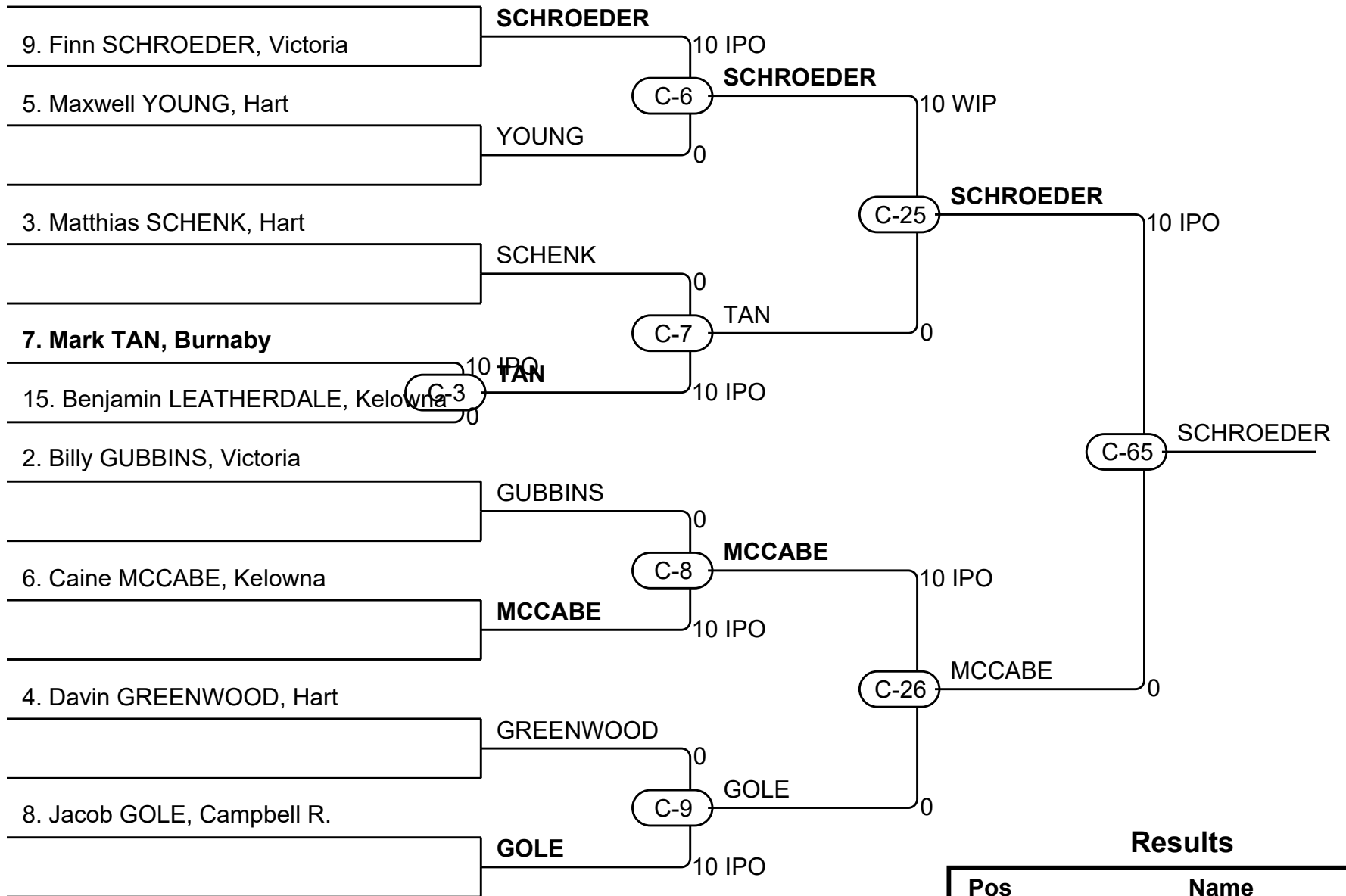
Match	White	Blue	Result	Time	Code
A-20	Maximus JOE 4 5	Graham NORQUAY	0 - 10	2:20	WIP
A-34	Maximus JOE 4 6	Aidan KEYES	10 - 0	4:00	WIP
A-46	Graham NORQUAY 5 6	Aidan KEYES	10 - 0	0:36	WIP



Results

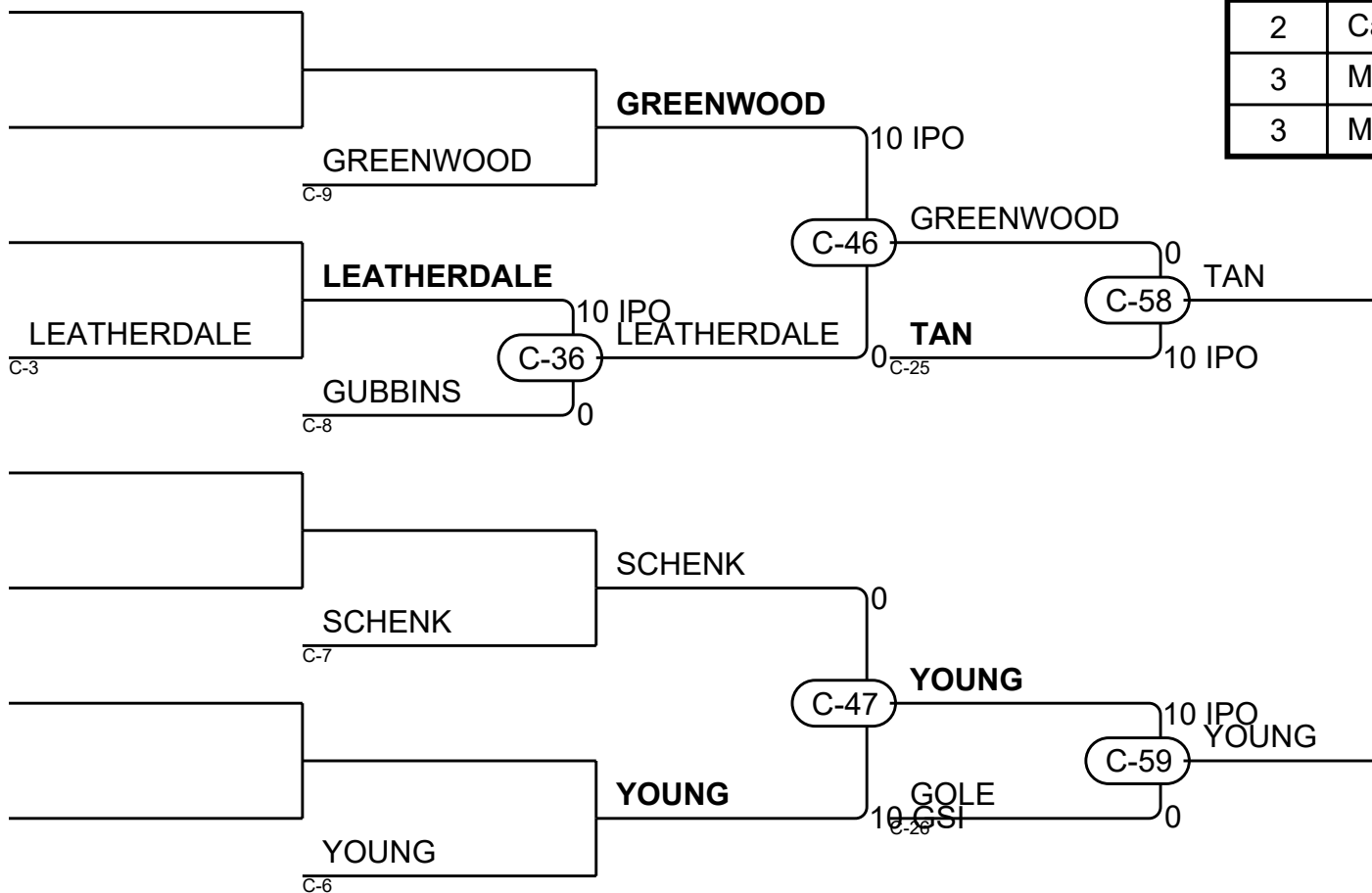
Pos	Name
1	Graham NORQUAY, Invermere
2	Ioan FRIZZELL, Hart
3	Maximus JOE, Burnaby
3	Joshua KUYVENHOVEN, Victoria

U21M-66



Results

Pos	Name
1	Finn SCHROEDER, Victoria
2	Caine MCCABE, Kelowna
3	Mark TAN, Burnaby
3	Maxwell YOUNG, Hart



U21M-73

Competitors A

#	Name	Club	1	2	3	Wins	Pts	Pos
1	Jackson BRADLEY	Steveston	XX	10		1	10	2
2	Kai RICHARDSON	Williams Lake		XX		0	0	3
3	Lochlan YOUNG	Hart	10	10	XX	2	20	1

Matches A

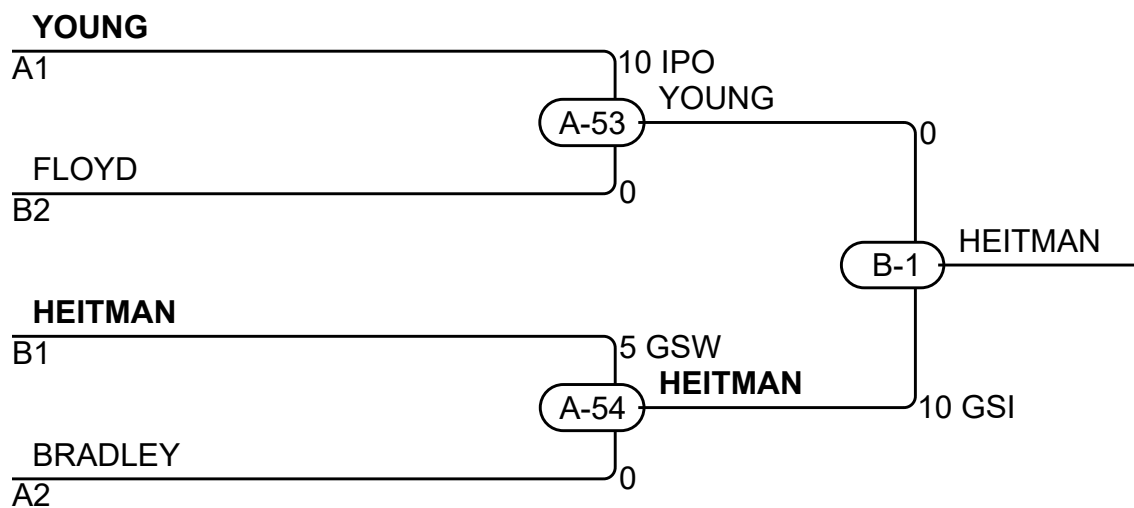
Match	White	Blue	Result	Time	Code
A-16	Jackson BRADLEY 1 2	Kai RICHARDSON	10 - 0	10:37	HAN
A-30	Jackson BRADLEY 1 3	Lochlan YOUNG	0 - 10	3:34	IPO
A-42	Kai RICHARDSON 2 3	Lochlan YOUNG	0 - 10	2:29	WIP

Competitors B

#	Name	Club	4	5	6	Wins	Pts	Pos
4	Koen HEITMAN	Hart	XX	10	5	2	15	1
5	Gunner FLOYD	Abbotsford		XX	10	1	10	2
6	Aytun GILL	Steveston			XX	0	0	3

Matches B

Match	White	Blue	Result	Time	Code
A-17	Koen HEITMAN 4 5	Gunner FLOYD	10 - 0	2:48	HAN
A-31	Koen HEITMAN 4 6	Aytun GILL	5 - 0	0:01	WAZ
A-43	Gunner FLOYD 5 6	Aytun GILL	10 - 0	4:32	GSI



Results

Pos	Name
1	Koen HEITMAN, Hart
2	Lochlan YOUNG, Hart
3	Gunner FLOYD, Abbotsford
3	Jackson BRADLEY, Steveston

U21M-81

Competitors

#	Name	Club	1	2	3	4	Wins	Pts	Pos
1	Payton HARRIS	Abbotsford	XX	10	10	10	3	30	1
2	Carter VEENENDAAL	Abbotsford		XX	10	10	2	20	2
3	Jaden GAUW	Burnaby			XX	10	1	10	3
4	Dylan ORDANO	Steveston				XX	0	0	4

Matches

Match	White			Blue	Result	Time	Code
B-29	Payton HARRIS	1	2	Carter VEENENDAAL	10 - 0	0:03	IPO
B-30	Jaden GAUW	3	4	Dylan ORDANO	10 - 0	0:40	IPO
B-39	Payton HARRIS	1	3	Jaden GAUW	10 - 0	0:09	IPO
B-40	Carter VEENENDAAL	2	4	Dylan ORDANO	10 - 0	1:01	IPO
B-53	Payton HARRIS	1	4	Dylan ORDANO	10 - 0	0:20	IPO
B-54	Carter VEENENDAAL	2	3	Jaden GAUW	10 - 0	3:57	WIP

Results

Pos	Name
1	Payton HARRIS, Abbotsford
2	Carter VEENENDAAL, Abbotsford
3	Jaden GAUW, Burnaby
4	Dylan ORDANO, Steveston