

U14 Team

#	Name	1	2	3	4	5	6	7	8	9	10	11	12	13	14	15	16	17	18	19	20	21	Wins	Pts	Pos
1	ABBOTSFORD U14 Team Abbotsford Judo Club	10			10					10				10							10		5	50	2
2	DELTA U14 Team Delta Kaigan Judo Club							10			10												2	20	5
3	CRESTON U14 Team Creston Judo Club		10			10								10									3	30	3
4	BURNABY JUDO CLUB U14 Team Burnaby Judo Club			10			10		10				10				10		10				6	60	1
5	HART JUDO U14 Team Hart Judo Academy																	10					1	10	6
6	PORT COQUITLAM U14 Team Port Coquitlam Judo Club																			10			1	10	7
7	OKANAGAN U14 Team Okanagan											10				10						10	3	30	3

Results

Pos	Name
1	BURNABY JUDO CLUB U14 Team, Burnaby Judo Club
2	ABBOTSFORD U14 Team, Abbotsford Judo Club
3	CRESTON U14 Team, Creston Judo Club
3	OKANAGAN U14 Team, Okanagan
5	DELTA U14 Team, Delta Kaigan Judo Club
6	HART JUDO U14 Team, Hart Judo Academy
7	PORT COQUITLAM U14 Team, Port Coquitlam Judo Club

U16 Team

Competitors

#	Name	Club	1	2	3	4	5	6	Wins	Pts	Pos
1	BURNABY JC 1 U16 Team	Burnaby Judo Club	XX	10	10	10	10	10	5	50	1
2	BURNABY JC 2 U16 Team	Burnaby Judo Club		XX		10			1	10	5
3	ABBOTSFORD U16 Team	Abbotsford Judo Club		10	XX	10	10	10	4	40	2
4	OKANAGAN U16 Team	Okanagan				XX			0	0	6
5	STEVESTON U16 Team	Steveston Judo Club		10		10	XX		2	20	3
6	KOKUSHIKAI U16 Team	Kokushikai Judo		10		10	10	XX	3	30	3

Matches

Match	White		Blue		Result	Time	Code
1	BURNABY JC 1 U16 Team	1	2	BURNABY JC 2 U16 Team	10 - 0	0:00	IPO
2	ABBOTSFORD U16 Team	3	5	STEVESTON U16 Team	10 - 0	0:00	IPO
3	BURNABY JC 2 U16 Team	2	4	OKANAGAN U16 Team	10 - 0	0:00	IPO
4	BURNABY JC 1 U16 Team	1	6	KOKUSHIKAI U16 Team	10 - 0	0:00	IPO
5	OKANAGAN U16 Team	4	5	STEVESTON U16 Team	0 - 10	0:00	IPO
6	BURNABY JC 2 U16 Team	2	3	ABBOTSFORD U16 Team	0 - 10	0:00	IPO
7	OKANAGAN U16 Team	4	6	KOKUSHIKAI U16 Team	0 - 10	0:00	IPO
8	BURNABY JC 2 U16 Team	2	5	STEVESTON U16 Team	0 - 10	0:00	IPO
9	ABBOTSFORD U16 Team	3	4	OKANAGAN U16 Team	10 - 0	0:00	IPO
10	BURNABY JC 1 U16 Team	1	5	STEVESTON U16 Team	10 - 0	0:00	IPO
11	ABBOTSFORD U16 Team	3	6	KOKUSHIKAI U16 Team	10 - 0	0:00	IPO
12	BURNABY JC 1 U16 Team	1	4	OKANAGAN U16 Team	10 - 0	0:00	IPO
13	STEVESTON U16 Team	5	6	KOKUSHIKAI U16 Team	0 - 10	0:00	IPO
14	BURNABY JC 1 U16 Team	1	3	ABBOTSFORD U16 Team	10 - 0	0:00	IPO
15	BURNABY JC 2 U16 Team	2	6	KOKUSHIKAI U16 Team	0 - 10	0:00	IPO

Results

Pos	Name
1	BURNABY JC 1 U16 Team, Burnaby Judo Club
2	ABBOTSFORD U16 Team, Abbotsford Judo Club
3	KOKUSHIKAI U16 Team, Kokushikai Judo
3	STEVESTON U16 Team, Steveston Judo Club
5	BURNABY JC 2 U16 Team, Burnaby Judo Club

Senior Male -60kg

Competitors

#	Name	Club	1	2	1	2	1	2	Wins	Pts	Pos
1	JOE Maximus	Burnaby Judo Club	XX	10	XX	5	XX		2	15	1
2	KEYES Aidan	Police Judo Junior		XX		XX		XX	0	0	2

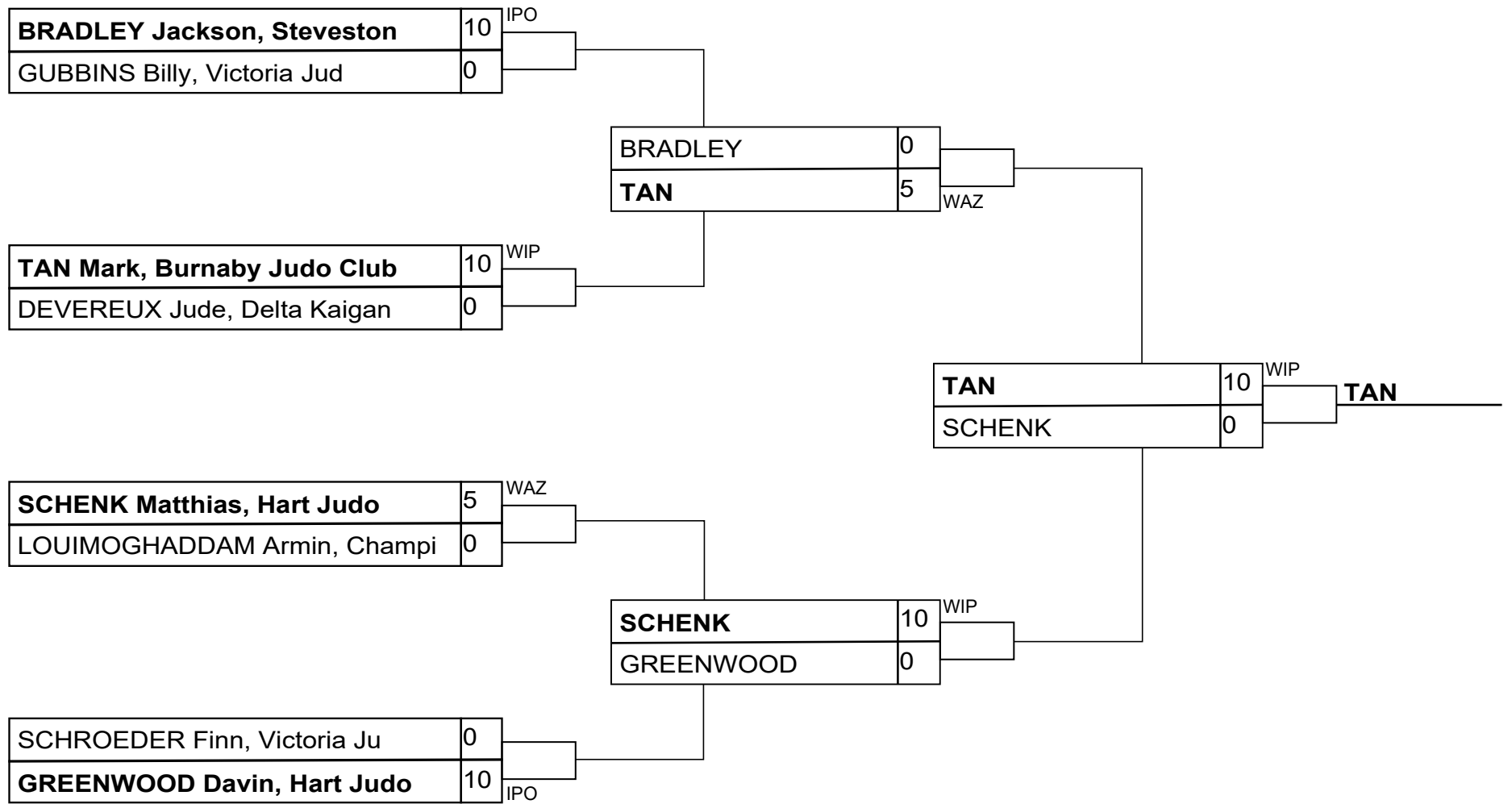
Matches

Match	White			Blue	Result	Time	Code
A-1	JOE Maximus	1	2	KEYES Aidan	10 - 0	3:18	HAN
A-3A	KEYES Aidan	2	1	JOE Maximus	0 - 5	4:00	WAZ
A-5A	JOE Maximus	1	2	KEYES Aidan			

Results

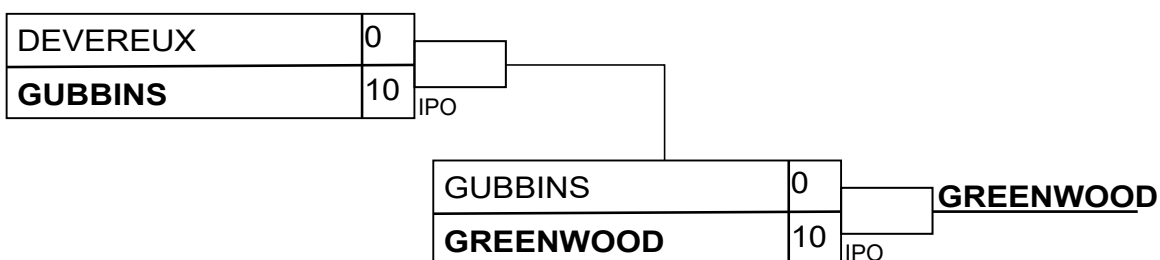
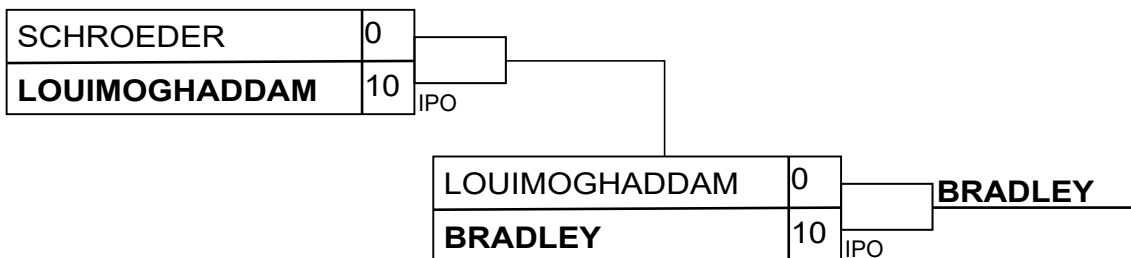
Pos	Name
1	JOE Maximus, Burnaby Judo Club

Senior Male -66kg

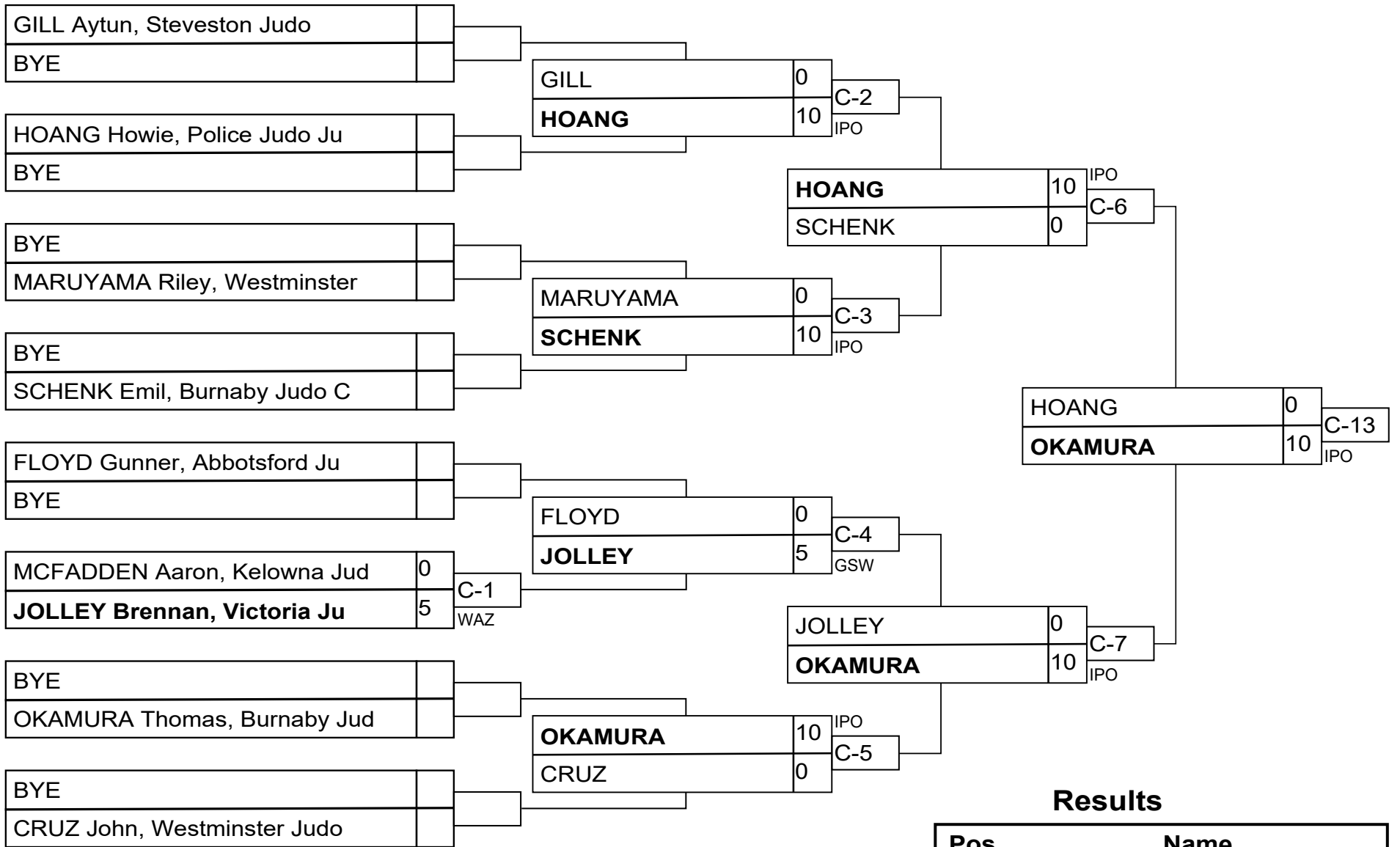


Results

Pos	Name
1	TAN Mark, Burnaby Judo C
2	SCENK Matthias, Hart Ju
3	BRADLEY Jackson, Stevest
3	GREENWOOD Davin, Hart Ju

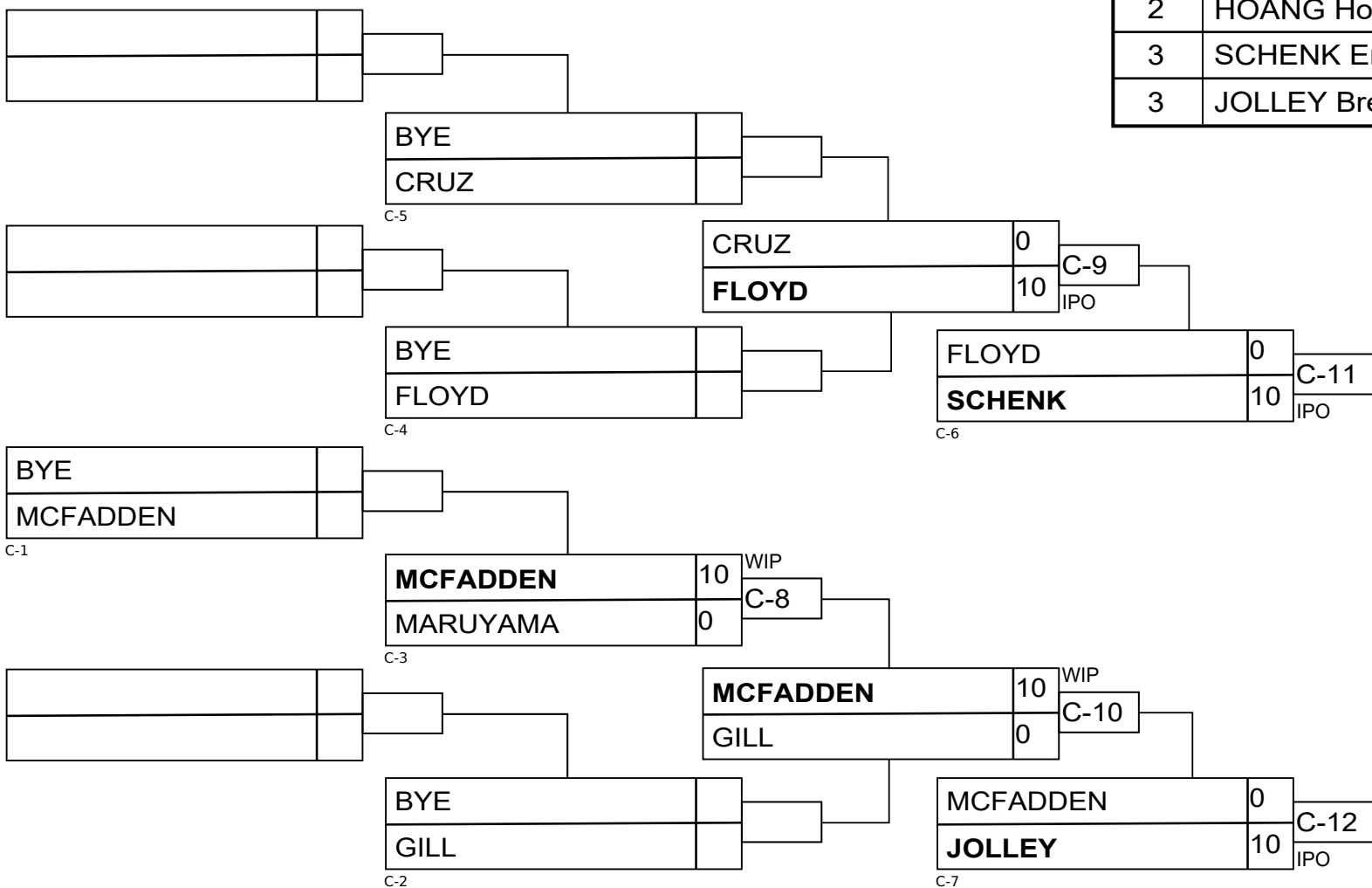


Senior Male -73kg



Results

Pos	Name
1	OKAMURA Thomas, Burnaby
2	HOANG Howie, Police Judo
3	SCHENK Emil, Burnaby Jud
3	JOLLEY Brennan, Victoria



Senior Male -81_Special

Competitors

#	Name	Club	1	2	1	2	1	2	Wins	Pts	Pos
1	HARRIS Payton	Abbotsford Judo Club	XX	5	XX		XX	10	2	15	1
2	NETTLES Dashiell	Vernon Judo Club		XX	5	XX		XX	1	5	2

Matches

Match	White			Blue	Result	Time	Code
B-18	HARRIS Payton	1	2	NETTLES Dashiell	5 - 0	4:00	WAZ
B-20	NETTLES Dashiell	2	1	HARRIS Payton	5 - 0	4:00	WAZ
B-22	HARRIS Payton	1	2	NETTLES Dashiell	10 - 0	4:46	GSW

Results

Pos	Name
1	HARRIS Payton, Abbotsford Judo Club
2	NETTLES Dashiell, Vernon Judo Club

Senior Male -81kg

Competitors

#	Name	Club	1	2	3	4	5	Wins	Pts	Pos
1	PARK John	Westminster Judo Club	XX		10			1	10	3
2	LYON Tim	Burnaby Judo Club	10	XX	10			2	20	3
3	DEVEREUX Peter	Delta Kaigan Judo Club			XX			0	0	5
4	HARRIS Payton	Abbotsford Judo Club	10	10	10	XX	10	4	40	1
5	VEENENDAAL Carter	Abbotsford Judo Club	10	5	10		XX	3	25	2

Matches

Match	White			Blue	Result	Time	Code
B-2	HARRIS Payton	4	5	VEENENDAAL Carter	10 - 0	1:11	WIP
B-4	PARK John	1	2	LYON Tim	0 - 10	0:40	IPO
B-6	DEVEREUX Peter	3	4	HARRIS Payton	0 - 10	0:48	IPO
B-8	PARK John	1	5	VEENENDAAL Carter	0 - 10	0:34	IPO
B-12	LYON Tim	2	3	DEVEREUX Peter	10 - 0	0:54	IPO
B-10	PARK John	1	4	HARRIS Payton	0 - 10	0:27	IPO
B-13	DEVEREUX Peter	3	5	VEENENDAAL Carter	0 - 10	1:39	IPO
B-14	LYON Tim	2	4	HARRIS Payton	0 - 10	3:15	WIP
B-15	PARK John	1	3	DEVEREUX Peter	10 - 0	0:57	WIP
B-16	LYON Tim	2	5	VEENENDAAL Carter	0 - 5	4:00	WAZ

Results

Pos	Name
1	HARRIS Payton, Abbotsford Judo Club
2	VEENENDAAL Carter, Abbotsford Judo Club
3	LYON Tim, Burnaby Judo Club
3	PARK John, Westminster Judo Club

Senior Male -90kg

Competitors A

#	Name	Club	1	2	3	Wins	Pts	Pos
1	NICKMANESH Reza	Nakashima Dojo Judo Club	XX		10	1	10	2
2	DE MORAES LUZ Mauricio	Burnaby Judo Club	10	XX	5	2	15	1
3	SOROKIN Oleg	Arashi Judo Club			XX	0	0	3

Matches A

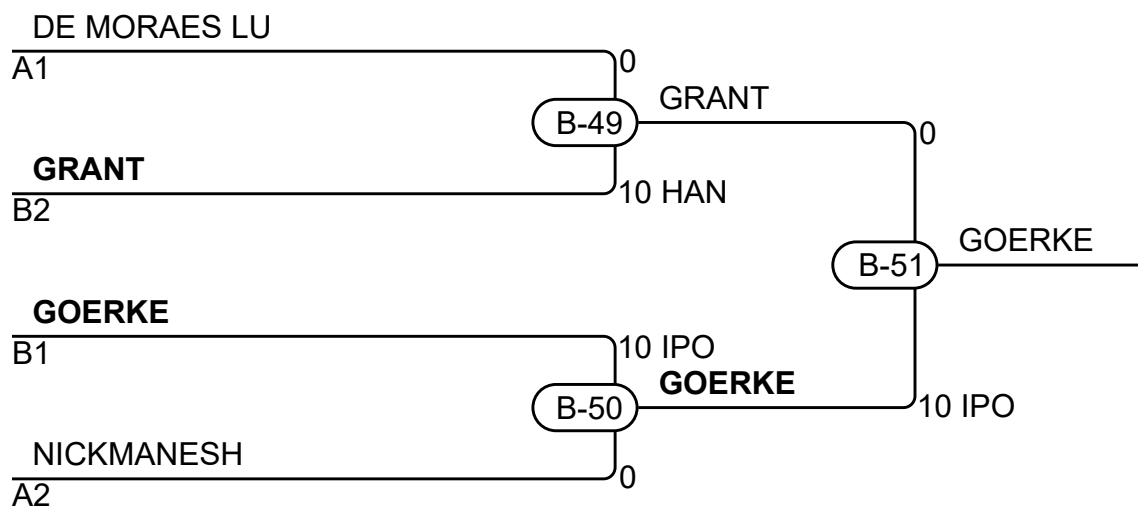
Match	White	Blue	Result	Time	Code
B-31	NICKMANESH Reza 1 2	DE MORAES LUZ Mauricio	0 - 10	3:53	IPO
B-42	NICKMANESH Reza 1 3	SOROKIN Oleg	10 - 0	1:35	IPO
B-38	DE MORAES LUZ Mauricio 2 3	SOROKIN Oleg	5 - 0	4:00	WAZ

Competitors B

#	Name	Club	4	5	6	Wins	Pts	Pos
4	MILADINOVIC Djuro	Nakashima Dojo Judo Club	XX			0	0	3
5	GRANT Maxwell	Victoria Judo Club	10	XX		1	10	2
6	GOERKE Ray	Kensington Judo Club	10	10	XX	2	20	1

Matches B

Match	White	Blue	Result	Time	Code
B-29	MILADINOVIC Djuro 4 5	GRANT Maxwell	0 - 10	1:51	IPO
B-35	MILADINOVIC Djuro 4 6	GOERKE Ray	0 - 10	1:10	IPO
B-40	GRANT Maxwell 5 6	GOERKE Ray	0 - 10	3:38	WIP



Results

Pos	Name
1	GOERKE Ray, Kensington Judo Club
2	GRANT Maxwell, Victoria Judo Club
3	DE MORAES LUZ Mauricio, Burnaby Judo Club
3	NICKMANESH Reza, Nakashima Dojo Judo Club

Senior Male +90kg

Competitors

#	Name	Club	1	2	3	4	5	Wins	Pts	Pos
1	JAMIESON Tavis	Steveston Judo Club	XX	10	10	10	10	4	40	1
2	ALEXANDER Tristan	Victoria Judo Club		XX		10	10	2	20	3
3	CLARK Braxton	Nanaimo Judo Club		10	XX		10	2	20	2
4	ORNAI Roei	Nakashima Dojo Judo Club			5	XX	10	2	15	3
5	WONG Alan	Nakashima Dojo Judo Club					XX	0	0	5

Matches

Match	White			Blue	Result	Time	Code
B-28	ORNAI Roei	4	5	WONG Alan	10 - 0	0:32	IPO
B-30	JAMIESON Tavis	1	2	ALEXANDER Tristan	10 - 0	1:09	IPO
B-33	CLARK Braxton	3	4	ORNAI Roei	0 - 5	4:00	WAZ
B-26	JAMIESON Tavis	1	5	WONG Alan	10 - 0	0:16	IPO
B-36	ALEXANDER Tristan	2	3	CLARK Braxton	0 - 10	0:54	IPO
B-39	JAMIESON Tavis	1	4	ORNAI Roei	10 - 0	0:00	IPO
A-1	CLARK Braxton	3	5	WONG Alan	10 - 0	0:31	IPO
A-2	ALEXANDER Tristan	2	4	ORNAI Roei	10 - 0	0:00	IPO
A-3	JAMIESON Tavis	1	3	CLARK Braxton	10 - 0	2:15	IPO
A-4	ALEXANDER Tristan	2	5	WONG Alan	10 - 0	1:54	IPO

Results

Pos	Name
1	JAMIESON Tavis, Steveston Judo Club
2	CLARK Braxton, Nanaimo Judo Club
3	ALEXANDER Tristan, Victoria Judo Club
3	ORNAI Roei, Nakashima Dojo Judo Club

Senior Female -52kg

Competitors A

#	Name	Club	1	2	3	Wins	Pts	Pos
1	CORBETT Brooke	Hart Judo Academy	XX			0	0	3
2	MORITA Ayumi	Police Judo Junior	10	XX		1	10	2
3	DANILKOV Klavdia	Burnaby Judo Club	10	10	XX	2	20	1

Matches A

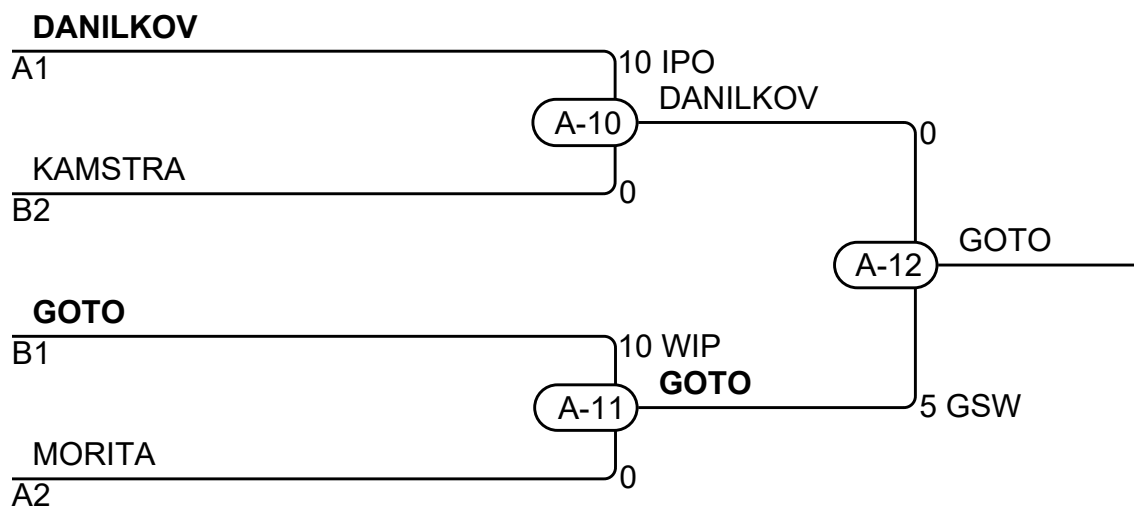
Match	White		Blue	Result	Time	Code	
A-3	CORBETT Brooke	1	2	MORITA Ayumi	0 - 10	2:45	IPO
A-5	CORBETT Brooke	1	3	DANILKOV Klavdia	0 - 10	0:19	IPO
A-7	MORITA Ayumi	2	3	DANILKOV Klavdia	0 - 10	0:32	IPO

Competitors B

#	Name	Club	4	5	6	Wins	Pts	Pos
4	LOLIEVA Rakiia	Burnaby Judo Club	XX			0	0	3
5	KAMSTRA Kimiko	Hart Judo Academy	10	XX		1	10	2
6	GOTO Tami	Prince George Judo Club	10	5	XX	2	15	1

Matches B

Match	White		Blue	Result	Time	Code	
A-4	LOLIEVA Rakiia	4	5	KAMSTRA Kimiko	0 - 10	2:38	IPO
A-6	LOLIEVA Rakiia	4	6	GOTO Tami	0 - 10	6:21	GSI
A-8	KAMSTRA Kimiko	5	6	GOTO Tami	0 - 5	5:52	GSW



Results

Pos	Name
1	GOTO Tami, Prince George Judo Club
2	DANILKOV Klavdia, Burnaby Judo Club
3	KAMSTRA Kimiko, Hart Judo Academy
3	MORITA Ayumi, Police Judo Junior

Senior Female -57kg

Competitors

#	Name	Club	1	2	3	4	Wins	Pts	Pos
1	HINTON Launa	Abbotsford Judo Club	XX	10			1	10	3
2	COMEAU Karissa	Abbotsford Judo Club		XX			0	0	3
3	KURAMOTO Caleigh	Steveston Judo Club	10	10	XX	5	3	25	1
4	FIANDOR Cheyenne	Nanaimo Judo Club	10	5		XX	2	15	2

Matches

Match	White			Blue	Result	Time	Code
B-3	HINTON Launa	1	2	COMEAU Karissa	10 - 0	3:33	WIP
B-1	KURAMOTO Caleigh	3	4	FIANDOR Cheyenne	5 - 0	4:00	WAZ
B-5	HINTON Launa	1	3	KURAMOTO Caleigh	0 - 10	0:14	IPO
B-7	COMEAU Karissa	2	4	FIANDOR Cheyenne	0 - 5	4:10	GSW
B-9	HINTON Launa	1	4	FIANDOR Cheyenne	0 - 10	0:27	IPO
B-11	COMEAU Karissa	2	3	KURAMOTO Caleigh	0 - 10	3:29	IPO

Results

Pos	Name
1	KURAMOTO Caleigh, Steveston Judo Club
2	FIANDOR Cheyenne, Nanaimo Judo Club
3	HINTON Launa, Abbotsford Judo Club

Senior Female -63kg

Competitors

#	Name	Club	1	2	3	4	Wins	Pts	Pos
1	TAI Sarah	Champion Judo Club	XX				0	0	3
2	MARKOVIC Teodora	Burnaby Judo Club	10	XX	10		2	20	2
3	ENDEAN Kiara	Vernon Judo Club	10		XX		1	10	3
4	HARRIS Isabelle	Abbotsford Judo Club	10	10	10	XX	3	30	1

Matches

Match	White			Blue	Result	Time	Code
B-17	TAI Sarah	1	2	MARKOVIC Teodora	0 - 10	0:24	IPO
B-19	ENDEAN Kiara	3	4	HARRIS Isabelle	0 - 10	0:52	IPO
B-21	TAI Sarah	1	3	ENDEAN Kiara	0 - 10	0:00	WIP
B-23	MARKOVIC Teodora	2	4	HARRIS Isabelle	0 - 10	0:59	IPO
B-24	TAI Sarah	1	4	HARRIS Isabelle	0 - 10	0:28	IPO
B-25	MARKOVIC Teodora	2	3	ENDEAN Kiara	10 - 0	3:05	WIP

Results

Pos	Name
1	HARRIS Isabelle, Abbotsford Judo Club
2	MARKOVIC Teodora, Burnaby Judo Club
3	ENDEAN Kiara, Vernon Judo Club

Senior Female -78kg

Competitors

#	Name	Club	1	2	1	2	1	2	Wins	Pts	Pos
1	DARMADI Hannah	Nanaimo Judo Club	XX		XX		XX		0	0	2
2	JAMIESON Meghan	Steveston Judo Club	10	XX	10	XX	10	XX	3	30	1

Matches

Match	White			Blue	Result	Time	Code
B-27	DARMADI Hannah	1	2	JAMIESON Meghan	0 - 10	2:11	WIP
A-1	JAMIESON Meghan	2	1	DARMADI Hannah	10 - 0	0:00	IPO
B-34	DARMADI Hannah	1	2	JAMIESON Meghan	0 - 10	0:16	IPO

Results

Pos	Name
1	JAMIESON Meghan, Steveston Judo Club