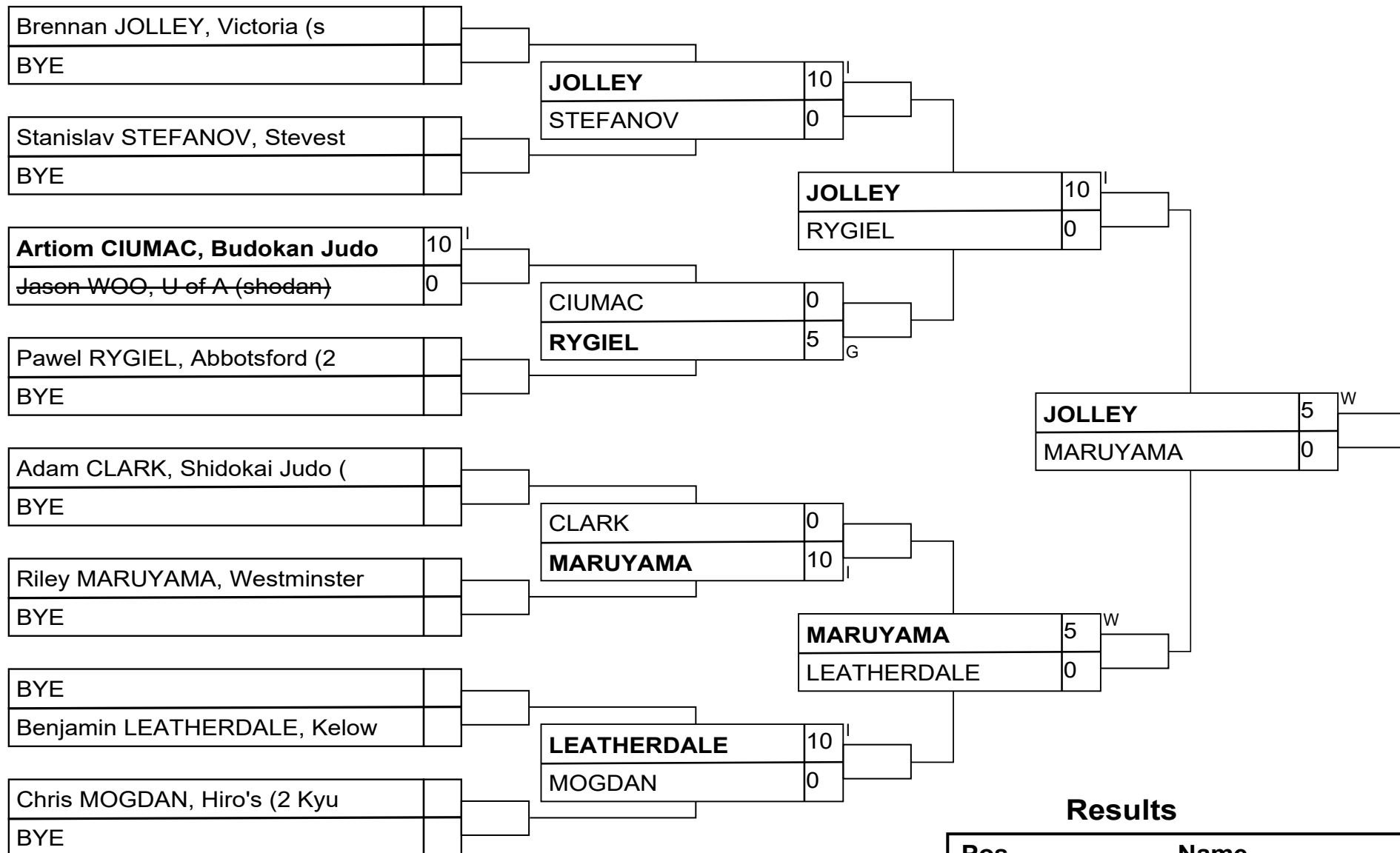
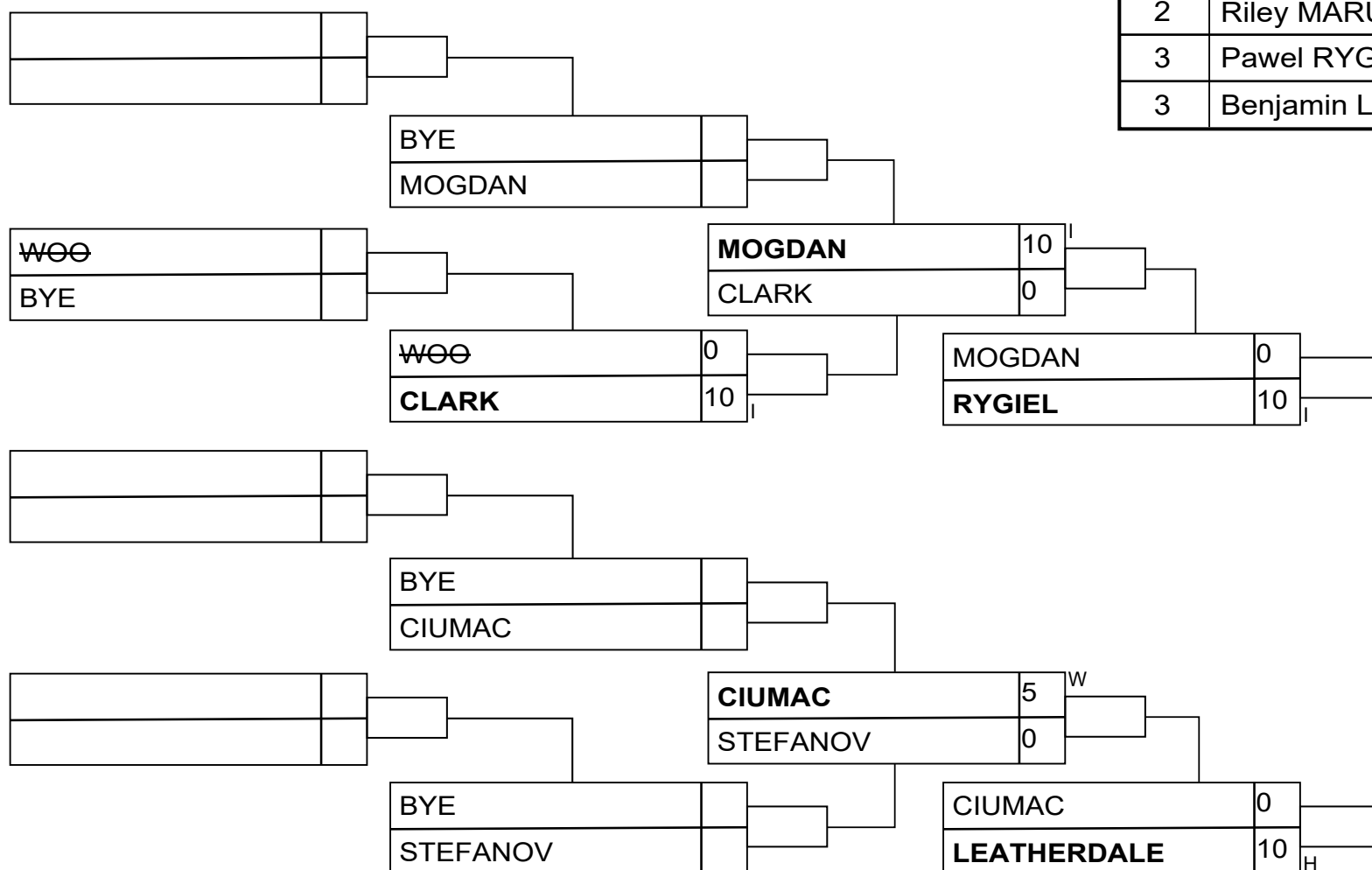


Ne Waza Men -73kg



Results

Pos	Name
1	Brennan JOLLEY, Victoria
2	Riley MARUYAMA, Westmins
3	Pawel RYGIEL, Abbotsford
3	Benjamin LEATHERDALE, Ke



Ne Waza Men -90kg

Competitors

#	Name	Grade	Club	1	2	3	4	5	Wins	Pts	Pos
1	Kristian CASTANEDA	1 Kyu	Burnaby	XX		10	5		2	15	2
2	Christopher SMILEY	nidan	Lake Country	5	XX	10	10	10	4	35	1
3	Kurtis JOHNSON	shodan	Tokugawa			XX	5	10	2	15	3
4	Nicholas FANKHANEL	1 Kyu	Abbotsford				XX	10	1	10	3
5	Peter DEVEREUX	1 Kyu	Delta Kaigan	5				XX	1	5	5

Matches

Match	White			Blue	Result	Time	Code
1	Nicholas FANKHANEL	4	5	Peter DEVEREUX	10 - 0	0:00	IPO
2	Kristian CASTANEDA	1	2	Christopher SMILEY	0 - 5	3:00	WAZ
3	Kurtis JOHNSON	3	4	Nicholas FANKHANEL	5 - 0	3:00	WAZ
4	Kristian CASTANEDA	1	5	Peter DEVEREUX	0 - 5	3:00	WAZ
5	Christopher SMILEY	2	3	Kurtis JOHNSON	10 - 0	0:58	IPO
6	Kristian CASTANEDA	1	4	Nicholas FANKHANEL	5 - 0	3:00	WAZ
7	Kurtis JOHNSON	3	5	Peter DEVEREUX	10 - 0	1:06	IPO
8	Christopher SMILEY	2	4	Nicholas FANKHANEL	10 - 0	1:58	IPO
9	Kristian CASTANEDA	1	3	Kurtis JOHNSON	10 - 0	1:36	IPO
10	Christopher SMILEY	2	5	Peter DEVEREUX	10 - 0	0:50	IPO

Results

Pos	Name
1	Christopher SMILEY, Lake Country
2	Kristian CASTANEDA, Burnaby
3	Kurtis JOHNSON, Tokugawa
3	Nicholas FANKHANEL, Abbotsford
5	Peter DEVEREUX, Delta Kaigan

Ne Waza Men +90kg

Competitors

#	Name	Grade	Club	1	2	1	2	1	2	Wins	Pts	Pos
1	Dingcheng ZHANG	3 Kyu	Burnaby	XX		XX		XX		0	0	2
2	Mahdi TAVAKOLI	shodan	Champion Judo Club	5	XX	10	XX		XX	2	15	1

Matches

Match	White			Blue	Result	Time	Code
1	Dingcheng ZHANG	1	2	Mahdi TAVAKOLI	0 - 5	3:00	WAZ
2	Mahdi TAVAKOLI	2	1	Dingcheng ZHANG	10 - 0	1:03	IPO
3	Dingcheng ZHANG	1	2	Mahdi TAVAKOLI			

Results

Pos	Name
1	Mahdi TAVAKOLI, Champion Judo Club

U14 Men -34kg

Competitors

#	Name	Grade	Club	1	2	3	Wins	Pts	Pos
1	Linus FRIZELL	3 Kyu	Hart	XX	10	10	2	20	1
2	Tyler MUKAI	4 Kyu	Burnaby		XX	10	1	10	2
3	Levi CARTWRIGHT	4 Kyu	Prince George			XX	0	0	3

Matches

Match	White			Blue	Result	Time	Code
1	Linus FRIZELL	1	2	Tyler MUKAI	10 - 0	2:00	IPO
2	Linus FRIZELL	1	3	Levi CARTWRIGHT	10 - 0	0:22	IPO
3	Tyler MUKAI	2	3	Levi CARTWRIGHT	10 - 0	3:00	IPO

Results

Pos	Name
1	Linus FRIZELL, Hart
2	Tyler MUKAI, Burnaby

U14 Men -38kg

Competitors A

#	Name	Grade	Club	1	2	3	4	Wins	Pts	Pos
1	Adam CAPADOUCA	4 Kyu	Langley	XX	1			1	1	3
2	Daniel (danny) VOFSI	4 Kyu	Port Coquitlam		XX			0	0	4
3	Owen HOU	4 Kyu	Steveston	10	10	XX		2	20	2
4	Joshua GREENWOOD	3 Kyu	Hart	10	1	10	XX	3	21	1

Matches A

Match	White	Blue	Result	Time	Code
1	Adam CAPADOUCA 1 2	Daniel (danny) VOFSI	1 - 0	6:00	YUS
2	Owen HOU 3 4	Joshua GREENWOOD	0 - 10	3:00	IPO
4	Adam CAPADOUCA 1 3	Owen HOU	0 - 10	1:20	WIP
5	Daniel (danny) VOFSI 2 4	Joshua GREENWOOD	0 - 1	6:00	YUS
7	Adam CAPADOUCA 1 4	Joshua GREENWOOD	0 - 10	1:06	WIP
8	Daniel (danny) VOFSI 2 3	Owen HOU	0 - 10	0:21	IPO

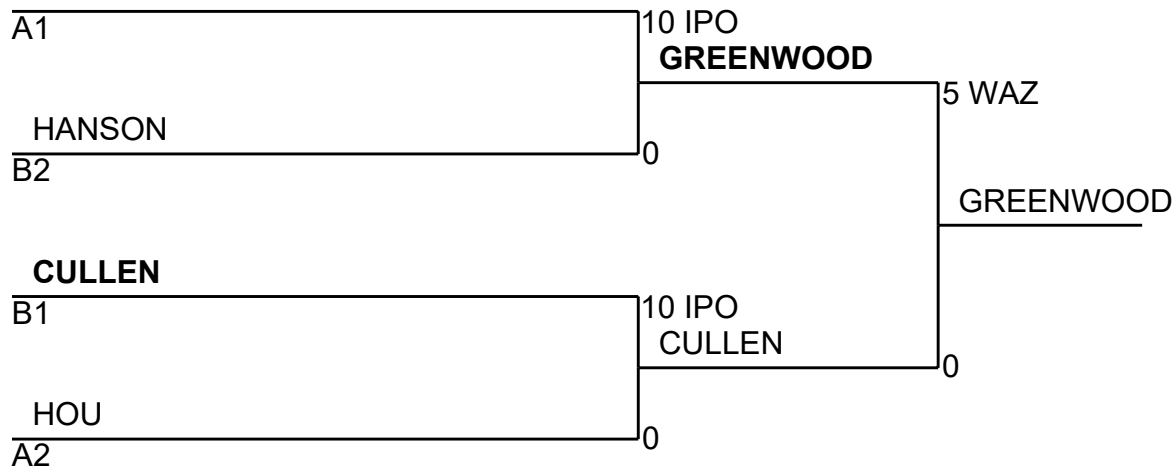
Competitors B

#	Name	Grade	Club	5	6	7	Wins	Pts	Pos
5	Finn CULLEN	4 Kyu	Kokushikai	XX	10	10	2	20	1
6	Ashton HANSON	3 Kyu	Victoria		XX	5	1	5	2
7	Grayson HOLLIDAY	3 Kyu	Prince George			XX	0	0	3

Matches B

Match	White	Blue	Result	Time	Code
3	Finn CULLEN 5 6	Ashton HANSON	10 - 0	1:36	IPO
6	Finn CULLEN 5 7	Grayson HOLLIDAY	10 - 0	2:29	IPO
9	Ashton HANSON 6 7	Grayson HOLLIDAY	5 - 0	3:00	WAZ

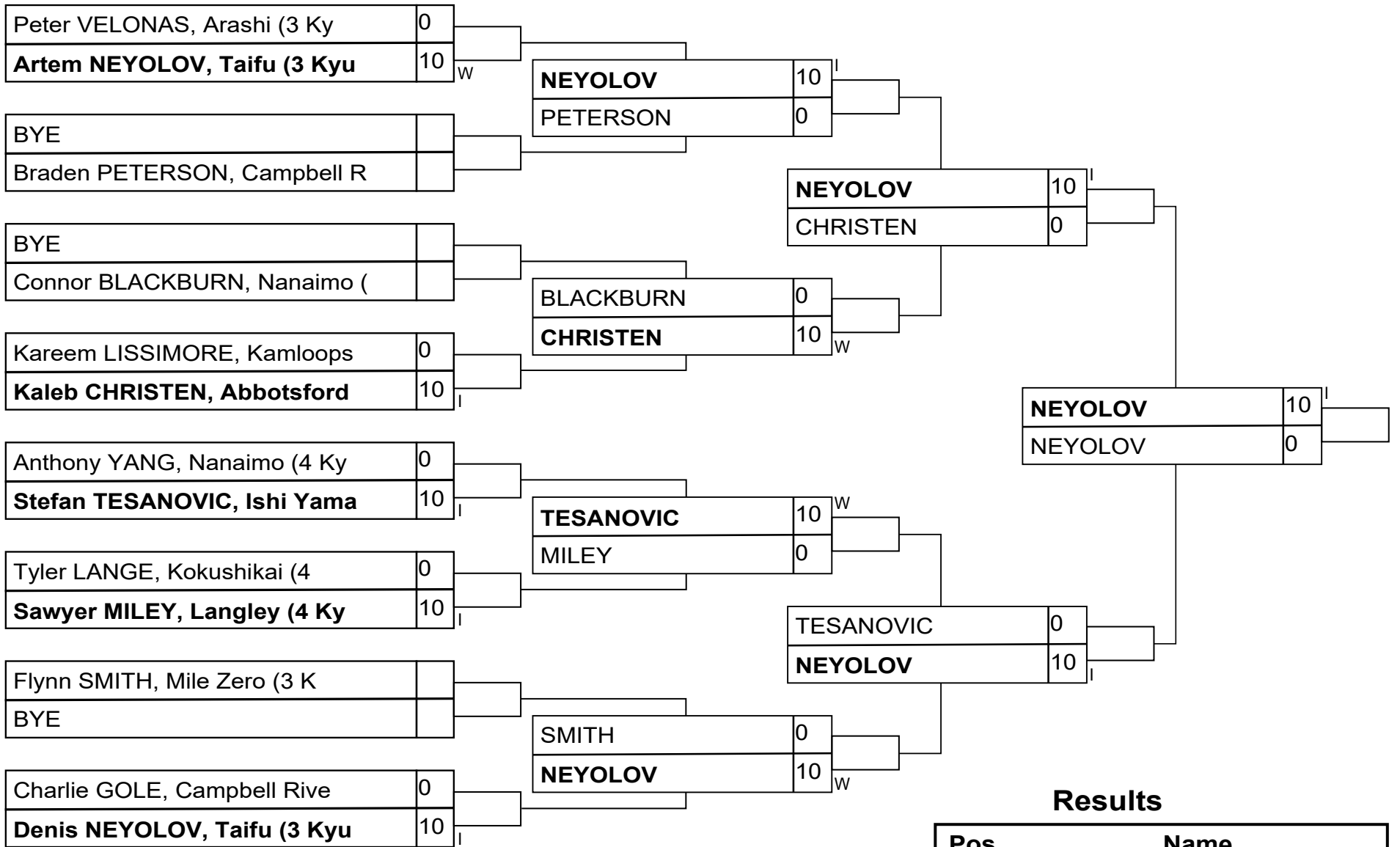
GREENWOOD



Results

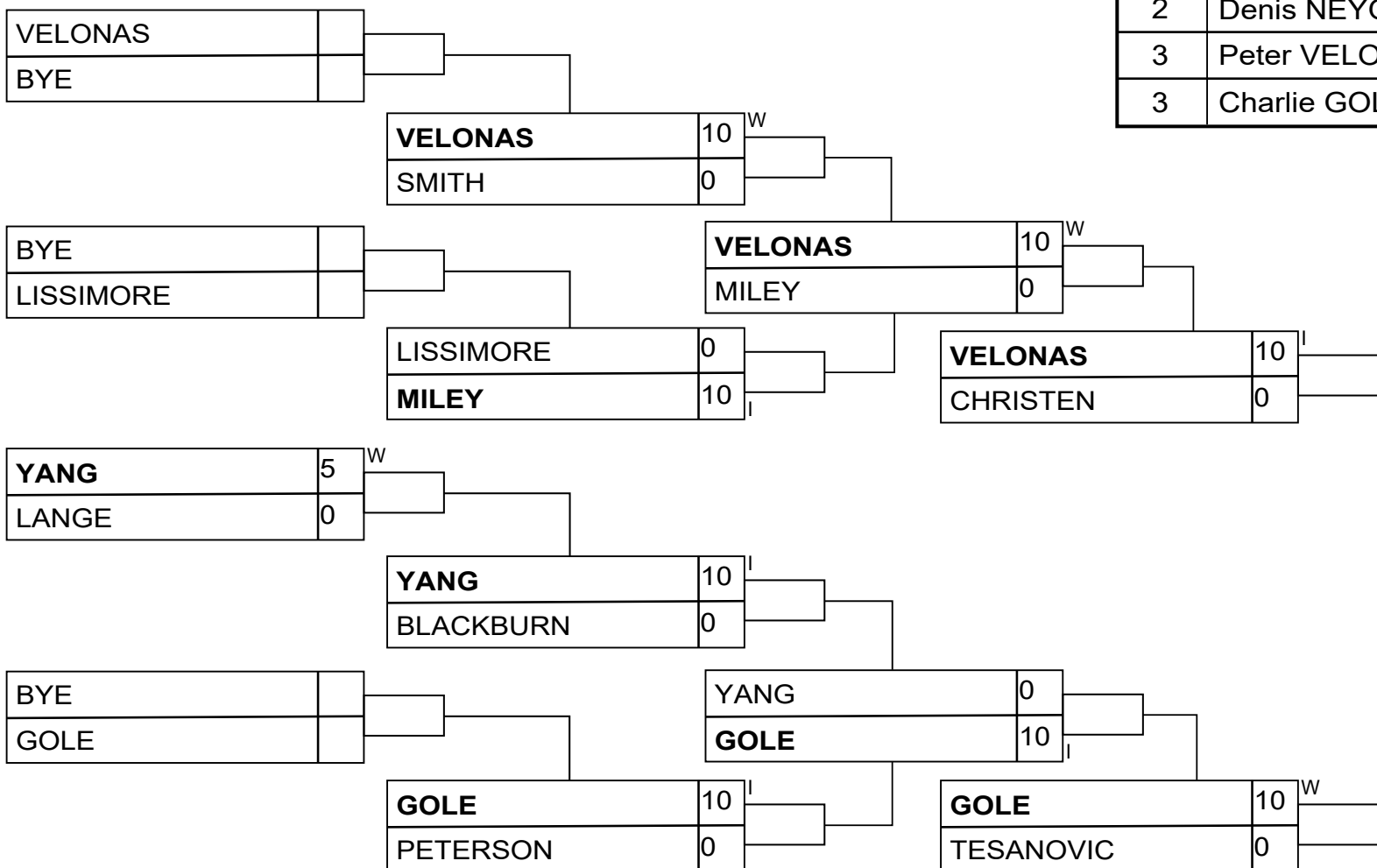
Pos	Name
1	Joshua GREENWOOD, Hart
2	Finn CULLEN, Kokushikai
3	Ashton HANSON, Victoria
3	Owen HOU, Steveston

U14 Men -42kg

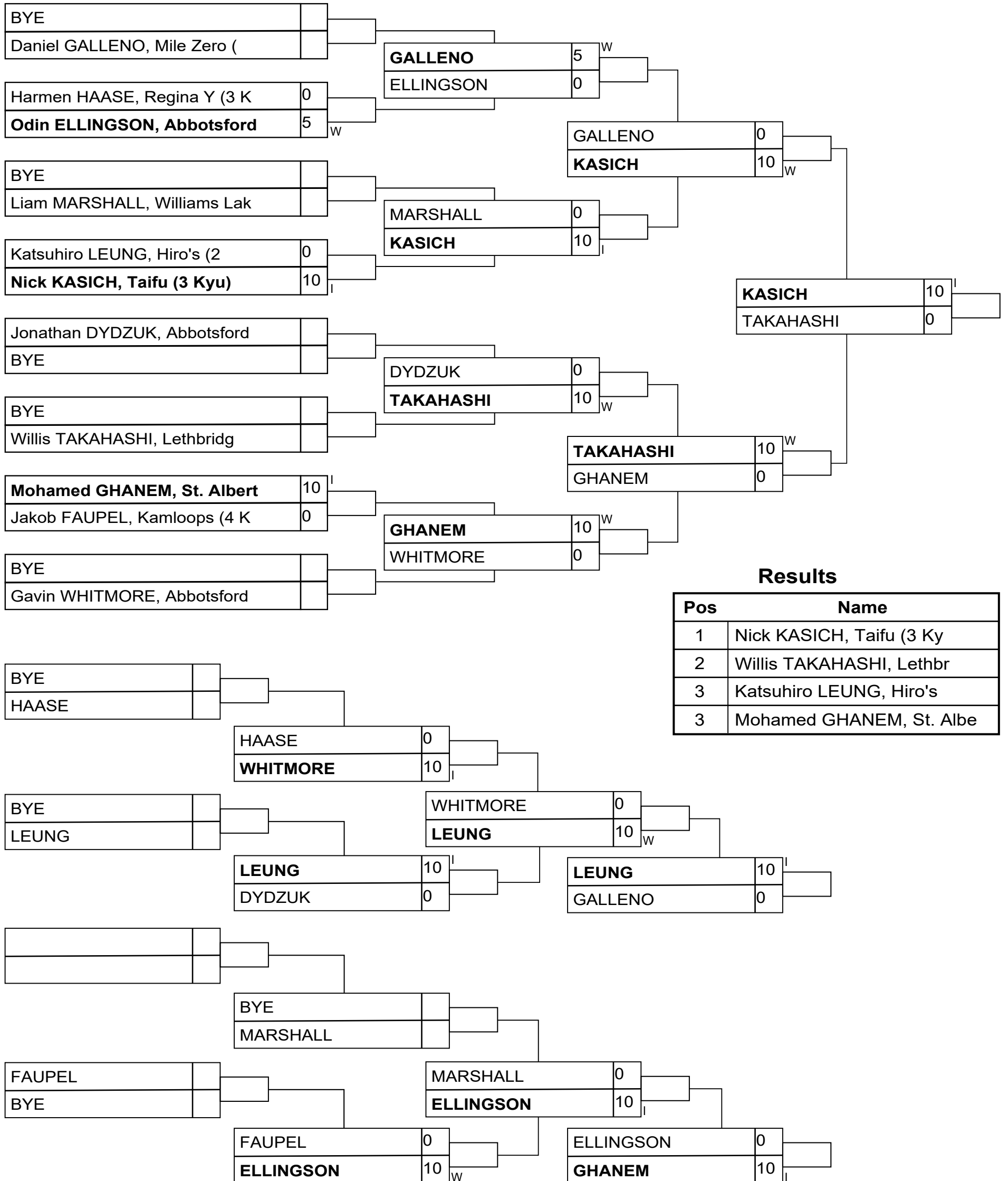


Results

Pos	Name
1	Artem NEYOLOV, Taifu (3
2	Denis NEYOLOV, Taifu (3
3	Peter VELONAS, Arashi (3
3	Charlie GOLE, Campbell R



U14 Men -46kg



U14 Men -50kg

Competitors

#	Name	Grade	Club	1	2	3	4	Wins	Pts	Pos
1	Tai CROOK	2 Kyu	Hiro's	XX	5	10	10	3	25	1
2	Maxwell BROWN	3 Kyu	Airdrie Eidokan		XX		10	1	10	3
3	Ryan ANTOSH	4 Kyu	Port Coquitlam		1	XX	10	2	11	2
4	Gabe AVEY	3 Kyu	Mile Zero				XX	0	0	3

Matches

Match	White	Blue	Result	Time	Code
1	Tai CROOK	1 2 Maxwell BROWN	5 - 0	3:00	WAZ
2	Ryan ANTOSH	3 4 Gabe AVEY	10 - 0	0:00	FUS
3	Tai CROOK	1 3 Ryan ANTOSH	10 - 0	0:38	WIP
4	Maxwell BROWN	2 4 Gabe AVEY	10 - 0	0:00	FUS
5	Tai CROOK	1 4 Gabe AVEY	10 - 0	0:00	FUS
6	Maxwell BROWN	2 3 Ryan ANTOSH	0 - 1	3:00	YUS

Results

Pos	Name
1	Tai CROOK, Hiro's
2	Ryan ANTOSH, Port Coquitlam
3	Maxwell BROWN, Airdrie Eidokan

U14 Men -55kg

Competitors

#	Name	Grade	Club	1	2	3	4	5	Wins	Pts	Pos
1	Ethan CAJIGAS	3 Kyu	Steveston	XX	10	10	10	5	4	35	1
2	Anthony VOFSI	4 Kyu	Port Coquitlam		XX		10		1	10	3
3	Habib SAID MOHAMMOD	3 Kyu	Kodokwai		10	XX	10		2	20	3
4	Kazuto UYEDA	4 Kyu	Kamloops				XX		0	0	5
5	Elijah GILL	2 Kyu	Abbotsford		10	5	10	XX	3	25	2

Matches

Match	White			Blue	Result	Time	Code
1	Kazuto UYEDA	4	5	Elijah GILL	0 - 10	0:39	WIP
2	Ethan CAJIGAS	1	2	Anthony VOFSI	10 - 0	0:13	IPO
3	Habib SAID MOHAMMOD	3	4	Kazuto UYEDA	10 - 0	0:32	WIP
4	Ethan CAJIGAS	1	5	Elijah GILL	5 - 0	3:00	WAZ
5	Anthony VOFSI	2	3	Habib SAID MOHAMMOD	0 - 10	0:28	IPO
6	Ethan CAJIGAS	1	4	Kazuto UYEDA	10 - 0	0:32	IPO
7	Habib SAID MOHAMMOD	3	5	Elijah GILL	0 - 5	3:00	WAZ
8	Anthony VOFSI	2	4	Kazuto UYEDA	10 - 0	0:16	IPO
9	Ethan CAJIGAS	1	3	Habib SAID MOHAMMOD	10 - 0	2:37	IPO
10	Anthony VOFSI	2	5	Elijah GILL	0 - 10	0:11	IPO

Results

Pos	Name
1	Ethan CAJIGAS, Steveston
2	Elijah GILL, Abbotsford
3	Habib SAID MOHAMMOD, Kodokwai
3	Anthony VOFSI, Port Coquitlam

U14 Men -60kg

Competitors

#	Name	Grade	Club	1	2	3	4	Wins	Pts	Pos
1	Alexander SONG	4 Kyu	Champion Judo Club	XX	10		5	2	15	3
2	Austin HUBELIT	4 Kyu	Campbell River		XX	10	10	2	20	1
3	Kareem ELMAYERGI	2 Kyu	St. Albert Tokai	10		XX	10	2	20	2
4	Samuel CLEMENT	2 Kyu	Ishi Yama				XX	0	0	3

Matches

Match	White	Blue	Result	Time	Code
1	Alexander SONG	1 2 Austin HUBELIT	10 - 0	1:49	IPO
2	Kareem ELMAYERGI	3 4 Samuel CLEMENT	10 - 0	0:28	IPO
3	Alexander SONG	1 3 Kareem ELMAYERGI	0 - 10	2:59	IPO
4	Austin HUBELIT	2 4 Samuel CLEMENT	10 - 0	1:19	WIP
5	Alexander SONG	1 4 Samuel CLEMENT	5 - 0	3:00	WAZ
6	Austin HUBELIT	2 3 Kareem ELMAYERGI	10 - 0	2:33	IPO

Results

Pos	Name
1	Austin HUBELIT, Campbell River
2	Kareem ELMAYERGI, St. Albert Tokai
3	Alexander SONG, Champion Judo Club

U14 Men +66kg

Competitors

#	Name	Grade	Club	1	2	3	Wins	Pts	Pos
1	Asher FERSHAU	4 Kyu	Abbotsford	XX	10		1	10	2
2	Mitchell GAUTHIER	4 Kyu	Nanaimo		XX		0	0	3
3	Cooper MCLEOD	3 Kyu	Yellowknife Judo Club	10	10	XX	2	20	1

Matches

Match	White			Blue	Result	Time	Code
1	Asher FERSHAU	1	2	Mitchell GAUTHIER	10 - 0	0:15	IPO
2	Asher FERSHAU	1	3	Cooper MCLEOD	0 - 10	0:39	IPO
3	Mitchell GAUTHIER	2	3	Cooper MCLEOD	0 - 10	0:10	IPO

Results

Pos	Name
1	Cooper MCLEOD, Yellowknife Judo Club
2	Asher FERSHAU, Abbotsford

U14 Women -32kg

Competitors

#	Name	Grade	Club	1	2	3	Wins	Pts	Pos
1	Jackie BROWN	4 Kyu	Airdrie Eidokan	XX		10	1	10	2
2	Jenna KO	3 Kyu	Burnaby	5	XX	5	2	10	1
3	Natalie BONSI	4 Kyu	Budokan Judo Dojo - Seat			XX	0	0	3

Matches

Match	White			Blue	Result	Time	Code
1	Jackie BROWN	1	2	Jenna KO	0 - 5	3:00	WAZ
2	Jackie BROWN	1	3	Natalie BONSI	10 - 0	0:01	IPO
3	Jenna KO	2	3	Natalie BONSI	5 - 0	3:00	WAZ

Results

Pos	Name
1	Jenna KO, Burnaby
2	Jackie BROWN, Airdrie Eidokan

U14 Women -40kg

Competitors A

#	Name	Grade	Club	1	2	3	4	Wins	Pts	Pos
1	Avery GIBNEY	3 Kyu	Moose Jaw Koseikan Judo	XX	10		10	2	20	2
2	Clare BOULDING	4 Kyu	Nanaimo		XX		10	1	10	3
3	Claire PHILIPP	3 Kyu	Lethbridge Kyodokan	10	10	XX	10	3	30	1
4	Grace HENRY	4 Kyu	Kamloops				XX	0	0	4

Matches A

Match	White	Blue	Result	Time	Code
1	Avery GIBNEY	1 2 Clare BOULDING	10 - 0	2:47	IPO
2	Claire PHILIPP	3 4 Grace HENRY	10 - 0	0:10	IPO
4	Avery GIBNEY	1 3 Claire PHILIPP	0 - 10	0:09	IPO
5	Clare BOULDING	2 4 Grace HENRY	10 - 0	1:14	WIP
7	Avery GIBNEY	1 4 Grace HENRY	10 - 0	0:00	FUS
8	Clare BOULDING	2 3 Claire PHILIPP	0 - 10	0:26	IPO

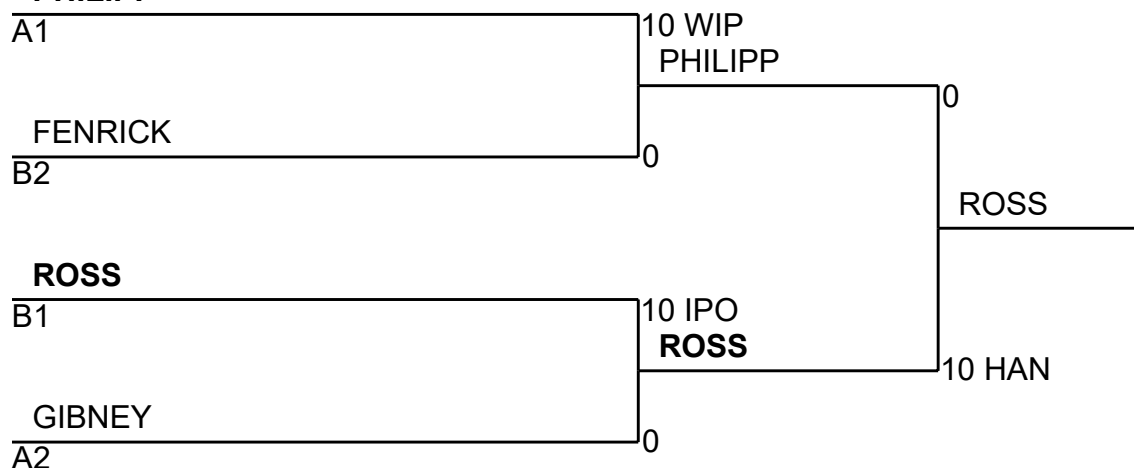
Competitors B

#	Name	Grade	Club	5	6	7	Wins	Pts	Pos
5	Jordyn MCRORY	4 Kyu	Abbotsford	XX			0	0	3
6	Rory ROSS	3 Kyu	Lethbridge Kyodokan Judo	10	XX	10	2	20	1
7	Kolbi FENRICK	3 Kyu	Moose Jaw Koseikan Judo	5		XX	1	5	2

Matches B

Match	White	Blue	Result	Time	Code
3	Jordyn MCRORY	5 6 Rory ROSS	0 - 10	0:37	IPO
6	Jordyn MCRORY	5 7 Kolbi FENRICK	0 - 5	3:00	WAZ
9	Rory ROSS	6 7 Kolbi FENRICK	10 - 0	0:20	IPO

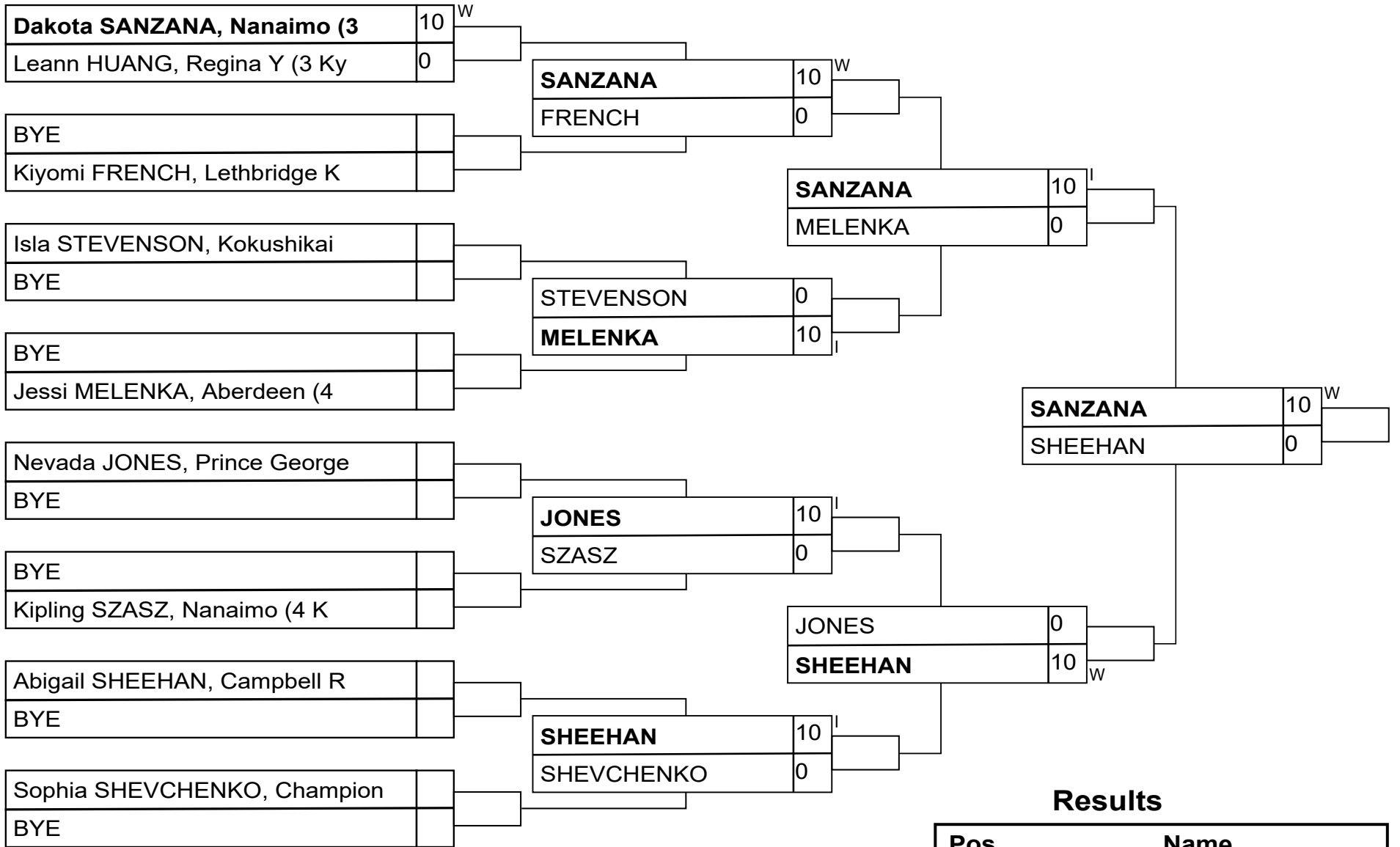
PHILIPP



Results

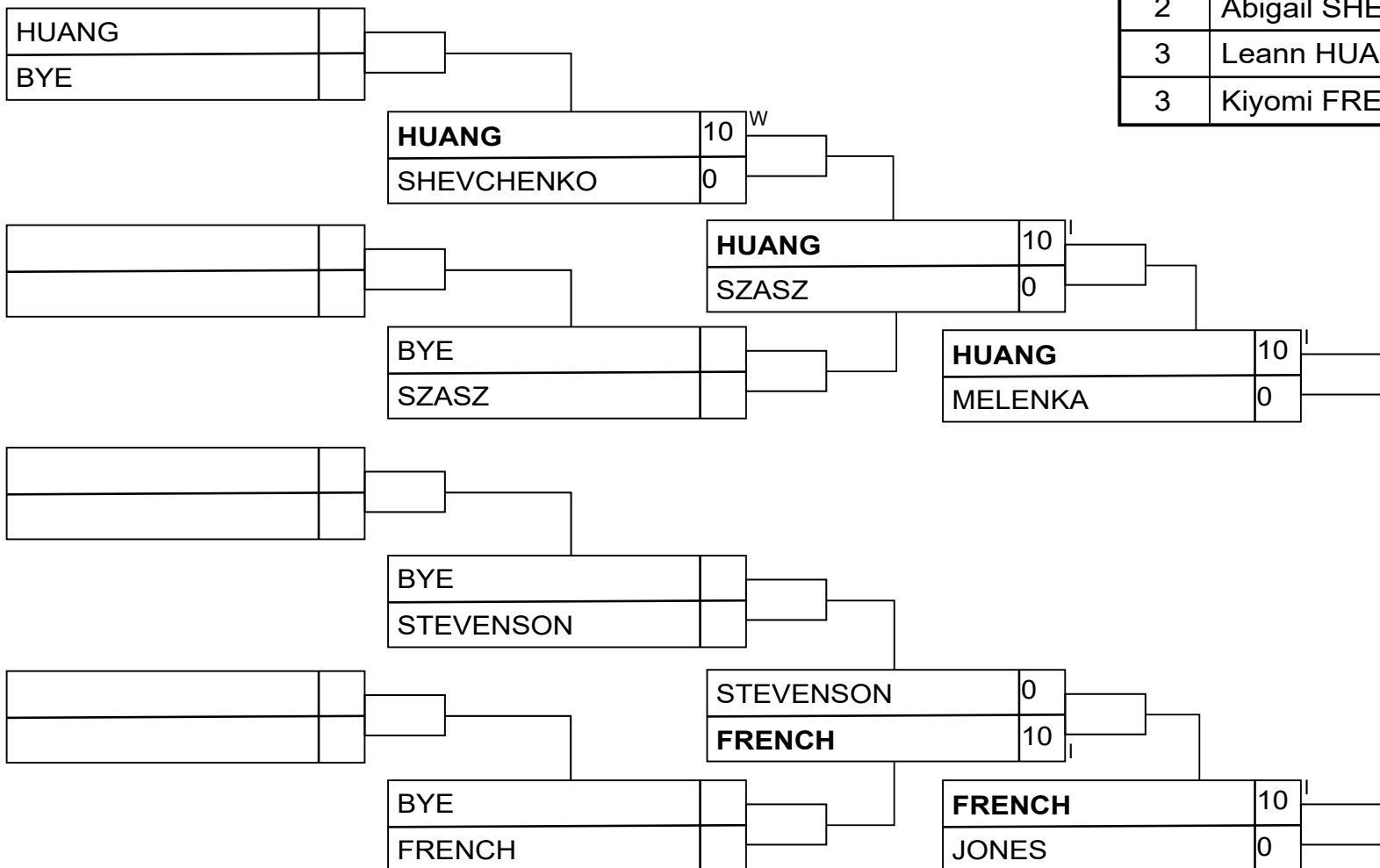
Pos	Name
1	Rory ROSS, Lethbridge Kyodokan Judo Club
2	Claire PHILIPP, Lethbridge Kyodokan
3	Kolbi FENRICK, Moose Jaw Koseikan Judo Club
3	Avery GIBNEY, Moose Jaw Koseikan Judo Club

U14 Women -44kg



Results

Pos	Name
1	Dakota SANZANA, Nanaimo
2	Abigail SHEEHAN, Campbel
3	Leann HUANG, Regina Y (3
3	Kiyomi FRENCH, Lethbridg



U14 Women -48kg

Competitors

#	Name	Grade	Club	1	2	3	4	5	Wins	Pts	Pos
1	Clara KENYON	3 Kyu	Revelstoke	XX				10	1	10	3
2	Sayjah VIEAUX	4 Kyu	Nanaimo	10	XX			10	2	20	3
3	Victoria KEHRIG	3 Kyu	Avonhurst	10	10	XX		10	3	30	2
4	Nova ROTBART	3 Kyu	Burnaby	10	5	10	XX	5	4	30	1
5	Liwen ZHANG	4 Kyu	Police Judo Junior					XX	0	0	5

Matches

Match	White			Blue	Result	Time	Code
1	Nova ROTBART	4	5	Liwen ZHANG	5 - 0	3:00	WAZ
2	Clara KENYON	1	2	Sayjah VIEAUX	0 - 10	1:34	WIP
3	Victoria KEHRIG	3	4	Nova ROTBART	0 - 10	0:00	IPO
4	Clara KENYON	1	5	Liwen ZHANG	10 - 0	3:00	WIP
5	Sayjah VIEAUX	2	3	Victoria KEHRIG	0 - 10	2:07	WIP
6	Clara KENYON	1	4	Nova ROTBART	0 - 10	1:55	WIP
7	Victoria KEHRIG	3	5	Liwen ZHANG	10 - 0	2:12	IPO
8	Sayjah VIEAUX	2	4	Nova ROTBART	0 - 5	3:00	WAZ
9	Clara KENYON	1	3	Victoria KEHRIG	0 - 10	0:39	WIP
10	Sayjah VIEAUX	2	5	Liwen ZHANG	10 - 0	0:31	IPO

Results

Pos	Name
1	Nova ROTBART, Burnaby
2	Victoria KEHRIG, Avonhurst
3	Sayjah VIEAUX, Nanaimo
3	Clara KENYON, Revelstoke

U14 Women -52kg

Competitors

#	Name	Grade	Club	1	2	3	4	5	Wins	Pts	Pos
1	Beata SCHENK	3 Kyu	Burnaby	XX	10	10	10	10	4	40	1
2	Brecklyn VEALE	3 Kyu	Lethbridge Kyodokan Judo		XX	10	10	10	3	30	2
3	Kayla JOHNSON	3 Kyu	Tokugawa			XX	10	10	2	20	3
4	Freya DICKSON	3 Kyu	Abbotsford				XX	10	1	10	3
5	Maya KUNADZE	4 Kyu	Kokushikai					XX	0	0	5

Matches

Match	White	Blue	Result	Time	Code
1	Freya DICKSON	4 5 Maya KUNADZE	10 - 0	0:46	IPO
2	Beata SCHENK	1 2 Brecklyn VEALE	10 - 0	0:00	IPO
3	Kayla JOHNSON	3 4 Freya DICKSON	10 - 0	0:04	IPO
4	Beata SCHENK	1 5 Maya KUNADZE	10 - 0	0:23	IPO
5	Brecklyn VEALE	2 3 Kayla JOHNSON	10 - 0	3:00	IPO
6	Beata SCHENK	1 4 Freya DICKSON	10 - 0	3:00	IPO
7	Kayla JOHNSON	3 5 Maya KUNADZE	10 - 0	0:50	IPO
8	Brecklyn VEALE	2 4 Freya DICKSON	10 - 0	0:17	IPO
9	Beata SCHENK	1 3 Kayla JOHNSON	10 - 0	1:33	HAN
10	Brecklyn VEALE	2 5 Maya KUNADZE	10 - 0	0:14	IPO

Results

Pos	Name
1	Beata SCHENK, Burnaby
2	Brecklyn VEALE, Lethbridge Kyodokan Judo Club
3	Kayla JOHNSON, Tokugawa
3	Freya DICKSON, Abbotsford

U14 Women -57kg

Competitors

#	Name	Grade	Club	1	2	1	2	1	2	Wins	Pts	Pos
1	Lily MCCULLOUGH	3 Kyu	Prince George	XX		XX	10	XX	1	2	11	1
2	Alewyn GLADSTONE	4 Kyu	Nanaimo	5	XX		XX		XX	1	5	2

Matches

Match	White			Blue	Result	Time	Code
1	Lily MCCULLOUGH	1	2	Alewyn GLADSTONE	0 - 5	3:00	WAZ
2	Alewyn GLADSTONE	2	1	Lily MCCULLOUGH	0 - 10	3:00	IPO
3	Lily MCCULLOUGH	1	2	Alewyn GLADSTONE	1 - 0	3:00	YUS

Results

Pos	Name
1	Lily MCCULLOUGH, Prince George
2	Alewyn GLADSTONE, Nanaimo

U14 Women +63kg

Competitors

#	Name	Grade	Club	1	2	1	2	1	2	Wins	Pts	Pos
1	Teigan BIXBY	4 Kyu	Vernon	XX	10	XX	10	XX		2	20	1
2	Marianna KARAS	3 Kyu	Kodokwai		XX		XX		XX	0	0	2

Matches

Match	White			Blue	Result	Time	Code
1	Teigan BIXBY	1	2	Marianna KARAS	10 - 0	0:00	FUS
2	Marianna KARAS	2	1	Teigan BIXBY	0 - 10	0:00	FUS
3	Teigan BIXBY	1	2	Marianna KARAS			

Results

Pos	Name
1	Teigan BIXBY, Vernon

U18 Men -46kg

Competitors

#	Name	Grade	Club	1	2	3	4	Wins	Pts	Pos
1	Caleb DEMAERE	shodan	Lethbridge Kyodokan Judo	XX	10	10	10	3	30	1
2	Keenan HANEARIN-BALCZER	2 Kyu	Hiro's		XX	10		1	10	3
3	Graeme HANKS	2 Kyu	Aberdeen			XX		0	0	3
4	Troy GALLANT	2 Kyu	Lethbridge Kyodokan		10	5	XX	2	15	2

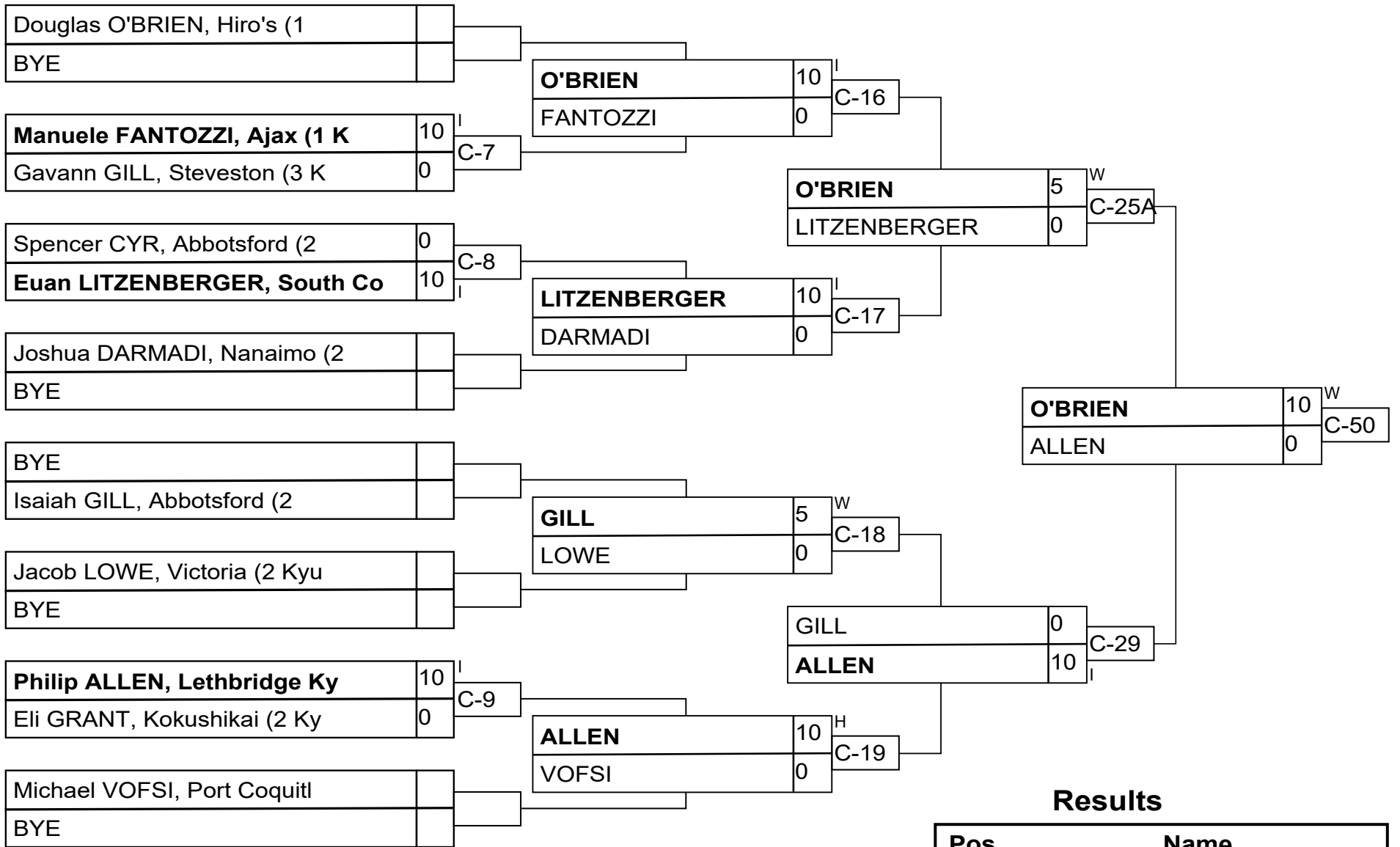
Matches

Match	White			Blue	Result	Time	Code
B-25	Caleb DEMAERE	1	2	Keenan HANEARIN-BALCZER	10 - 0	3:31	IPO
B-26	Graeme HANKS	3	4	Troy GALLANT	0 - 5	4:00	WAZ
B-35	Caleb DEMAERE	1	3	Graeme HANKS	10 - 0	0:43	IPO
B-36	Keenan HANEARIN-BALCZER	2	4	Troy GALLANT	0 - 10	3:13	IPO
B-45	Caleb DEMAERE	1	4	Troy GALLANT	10 - 0	3:03	IPO
B-46	Keenan HANEARIN-BALCZER	2	3	Graeme HANKS	10 - 0	1:52	WIP

Results

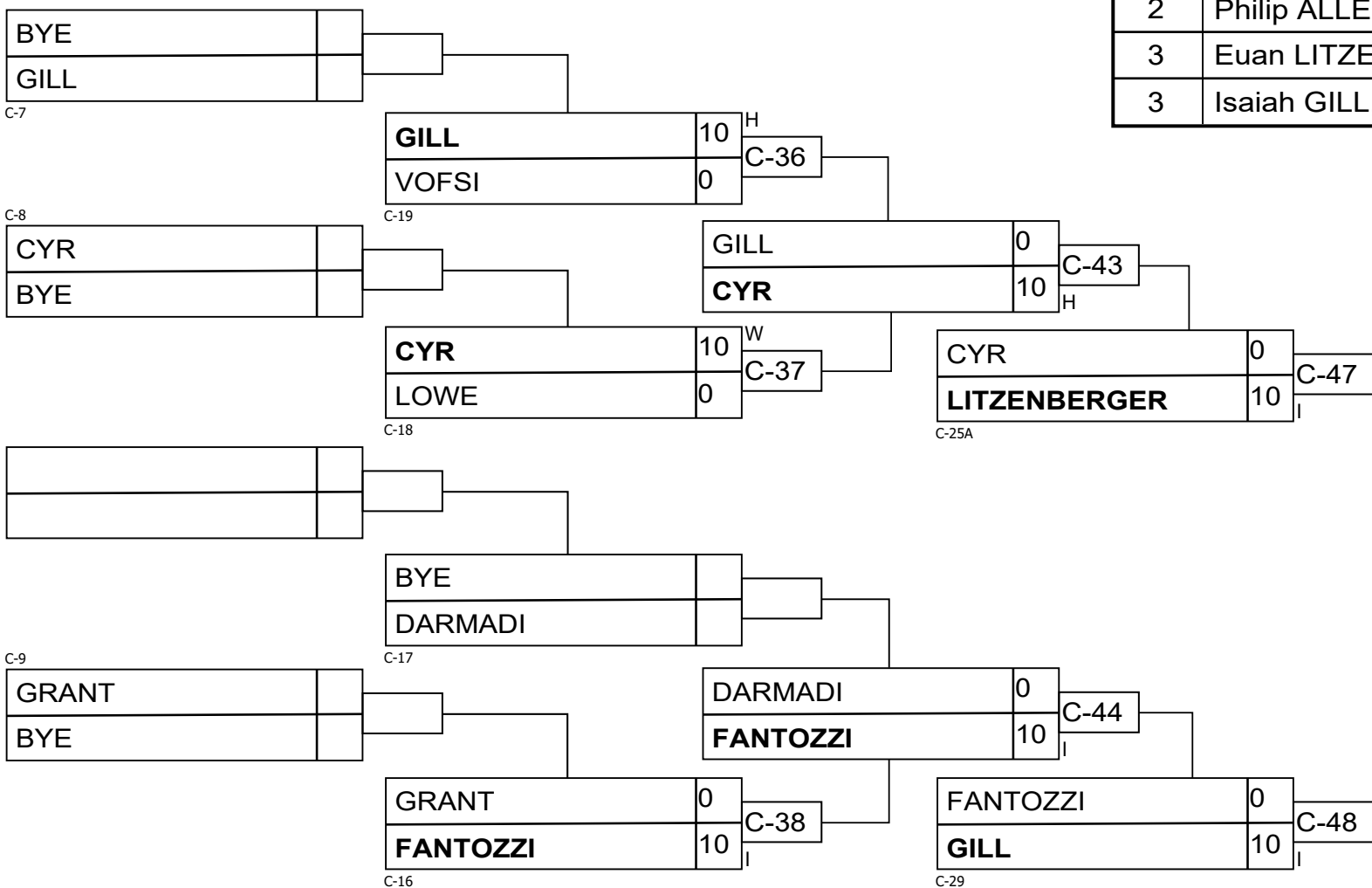
Pos	Name
1	Caleb DEMAERE, Lethbridge Kyodokan Judo Club
2	Troy GALLANT, Lethbridge Kyodokan
3	Keenan HANEARIN-BALCZER, Hiro's

U18 Men -50kg

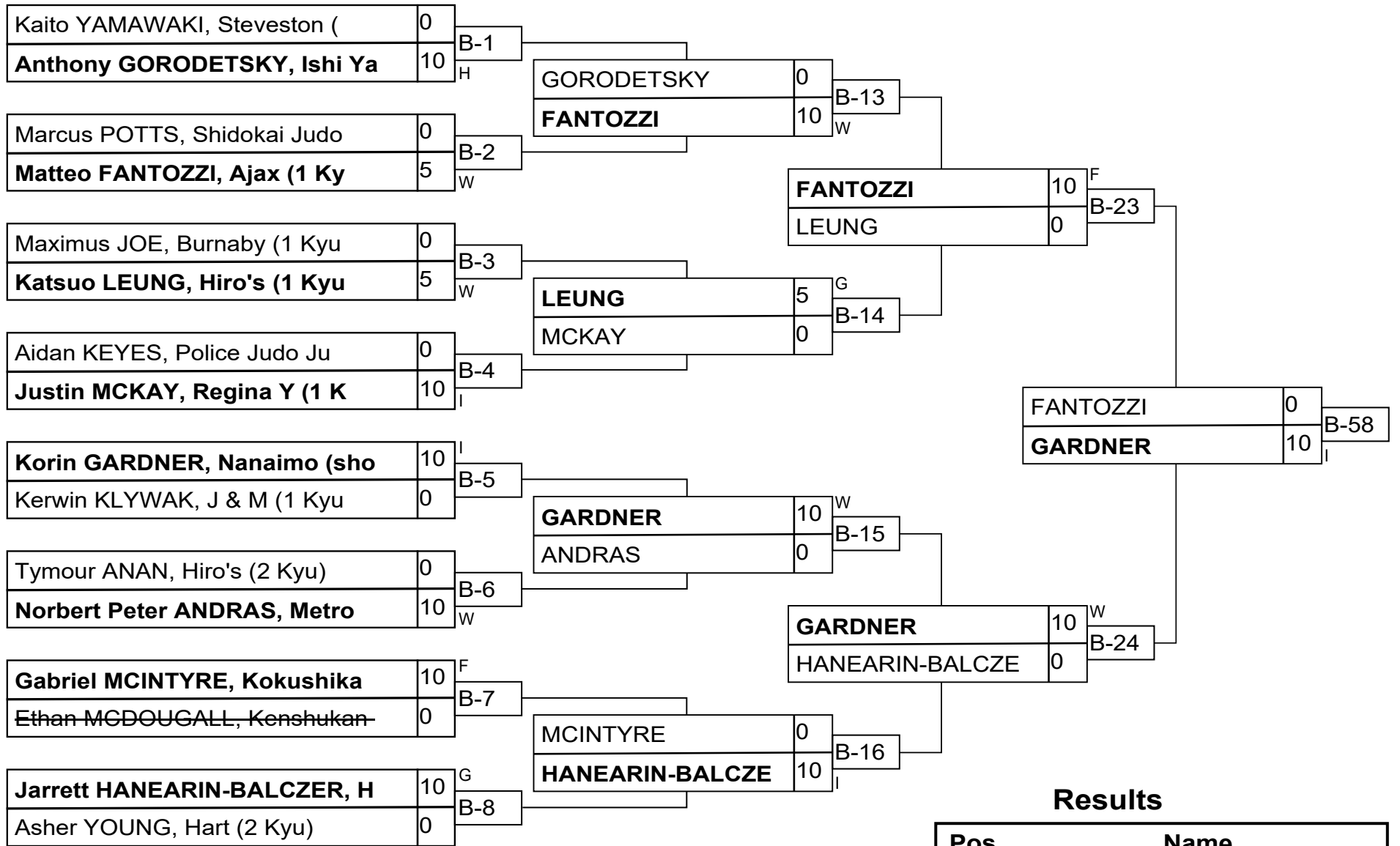


Results

Pos	Name
1	Douglas O'BRIEN, Hiro's
2	Philip ALLEN, Lethbridge
3	Euan LITZENBERGER, South
3	Isaiah GILL, Abbotsford

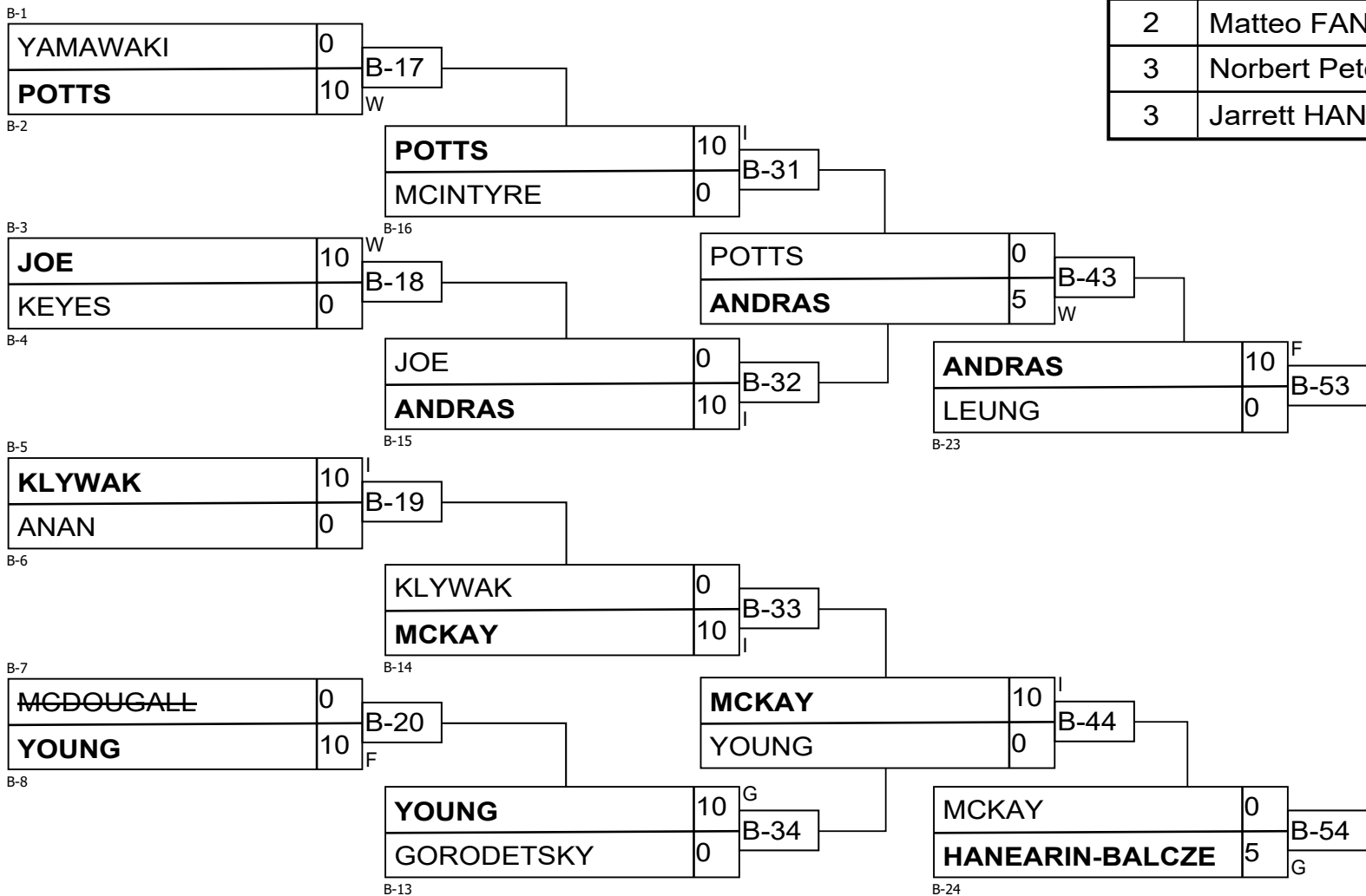


U18 Men -55kg

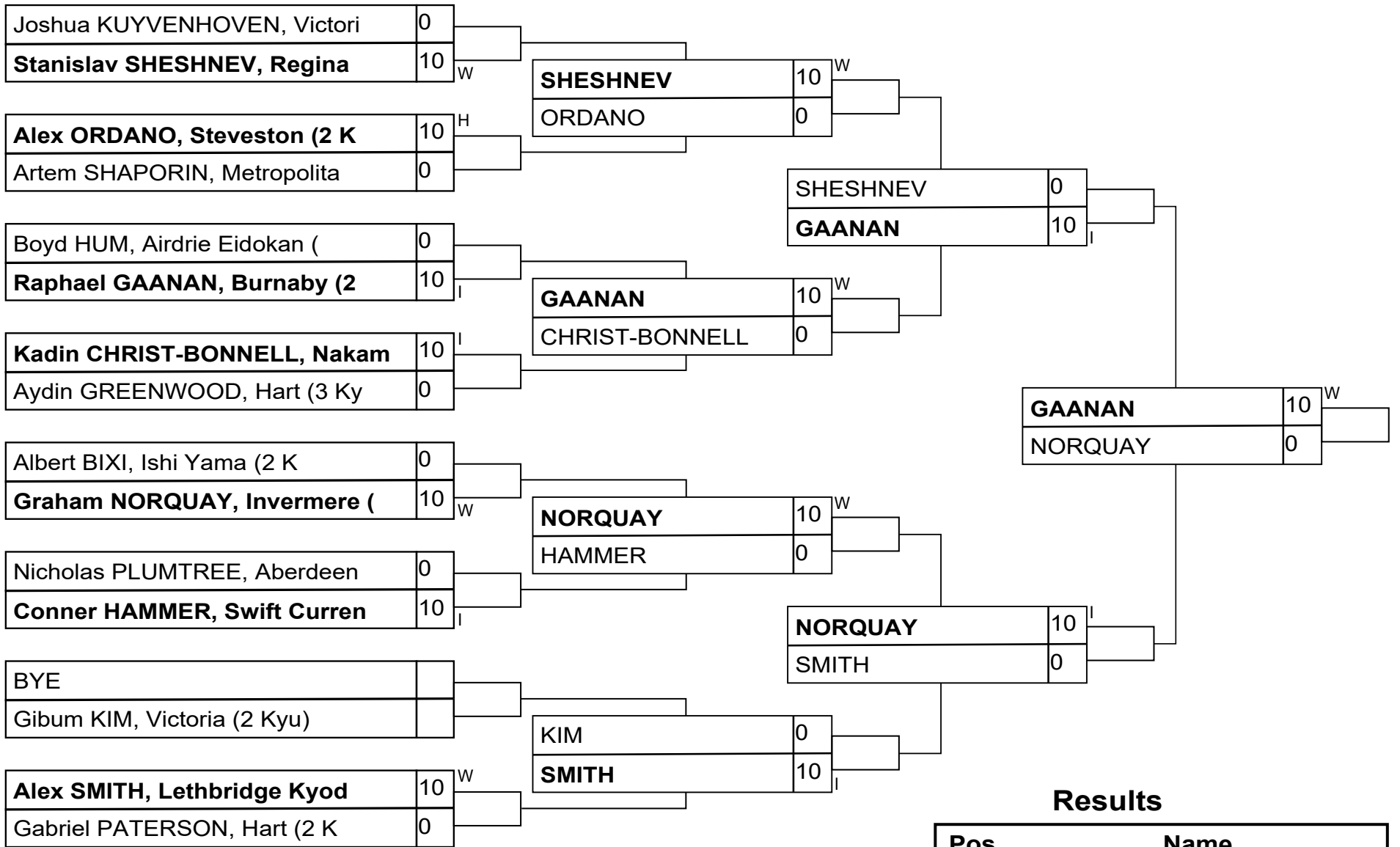


Results

Pos	Name
1	Korin GARDNER, Nanaimo (
2	Matteo FANTOZZI, Ajax (1
3	Norbert Peter ANDRAS, Me
3	Jarrett HANEARIN-BALCZER

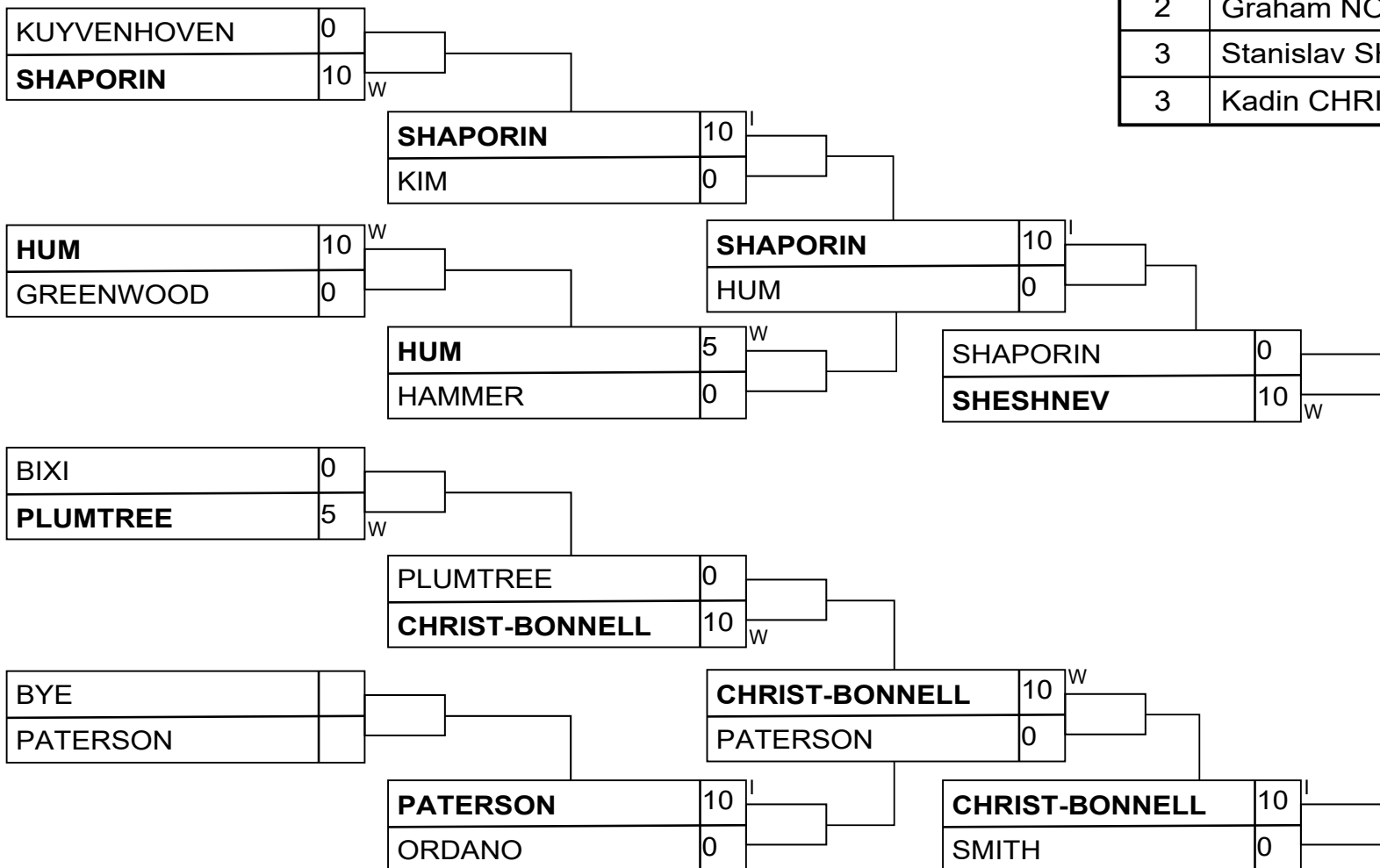


U18 Men -60kg

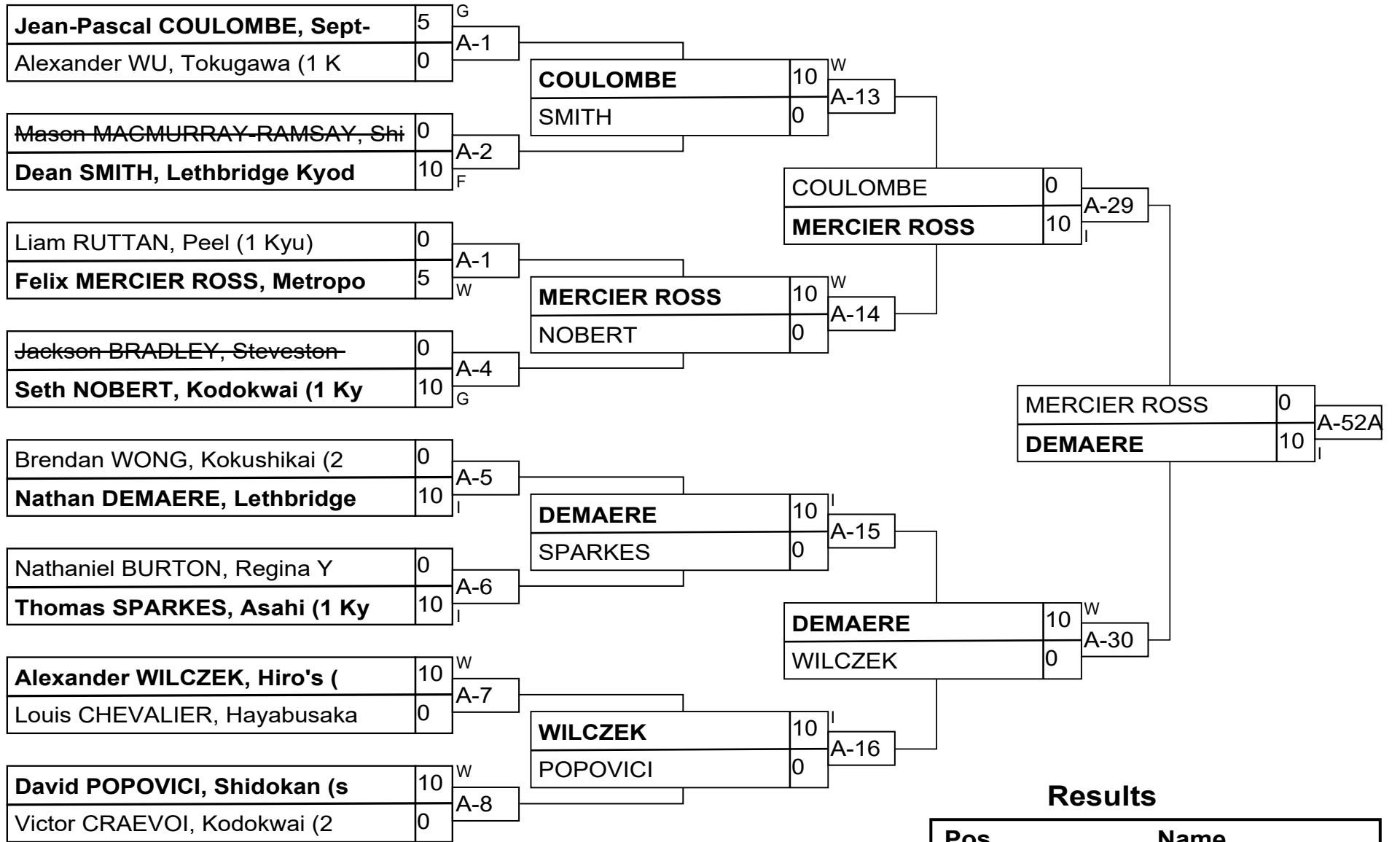


Results

Pos	Name
1	Raphael GAANAN, Burnaby
2	Graham NORQUAY, Invermer
3	Stanislav SHESHNEV, Regi
3	Kadin CHRIST-BONNELL, Na

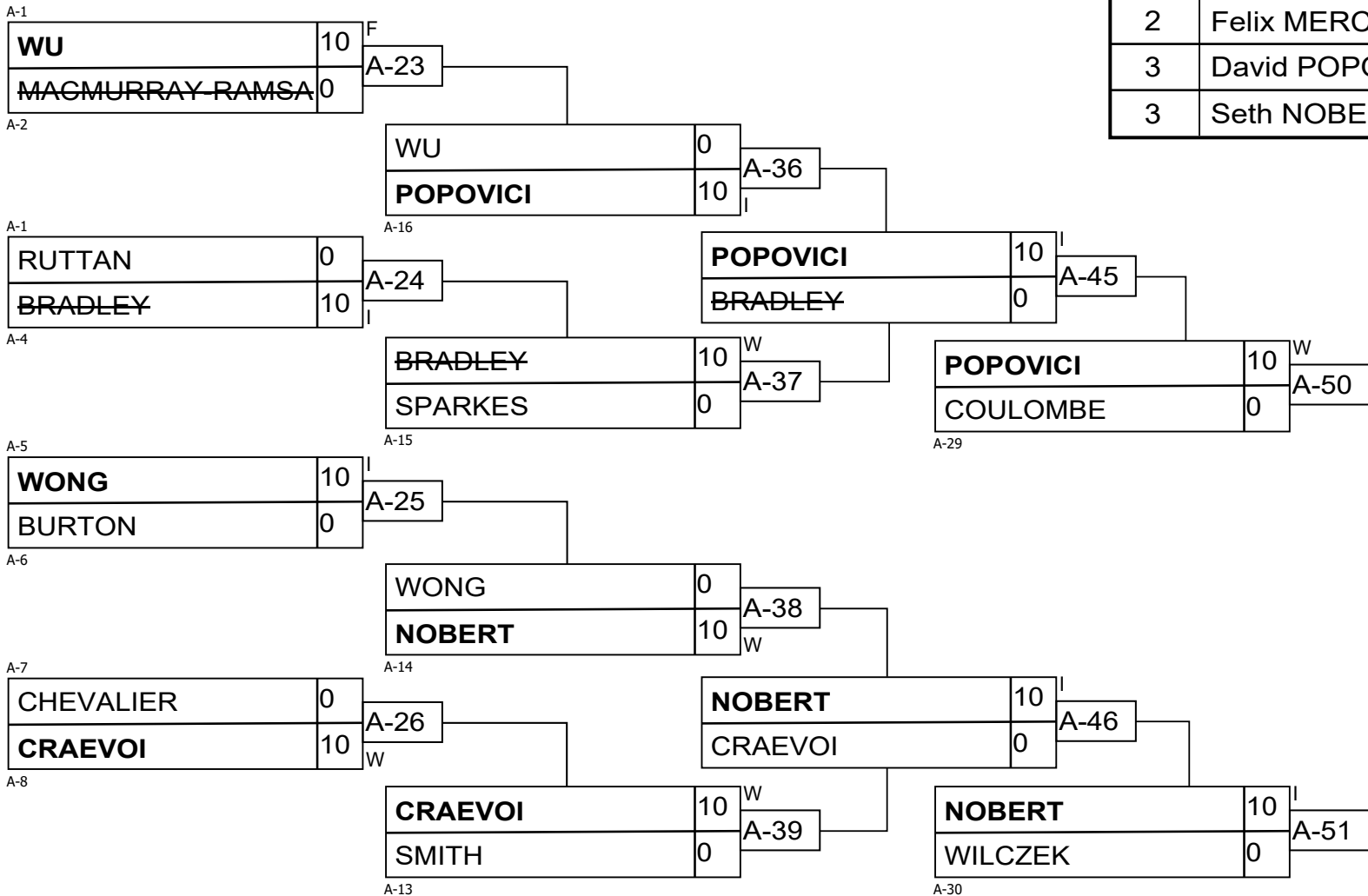


U18 Men -66kg

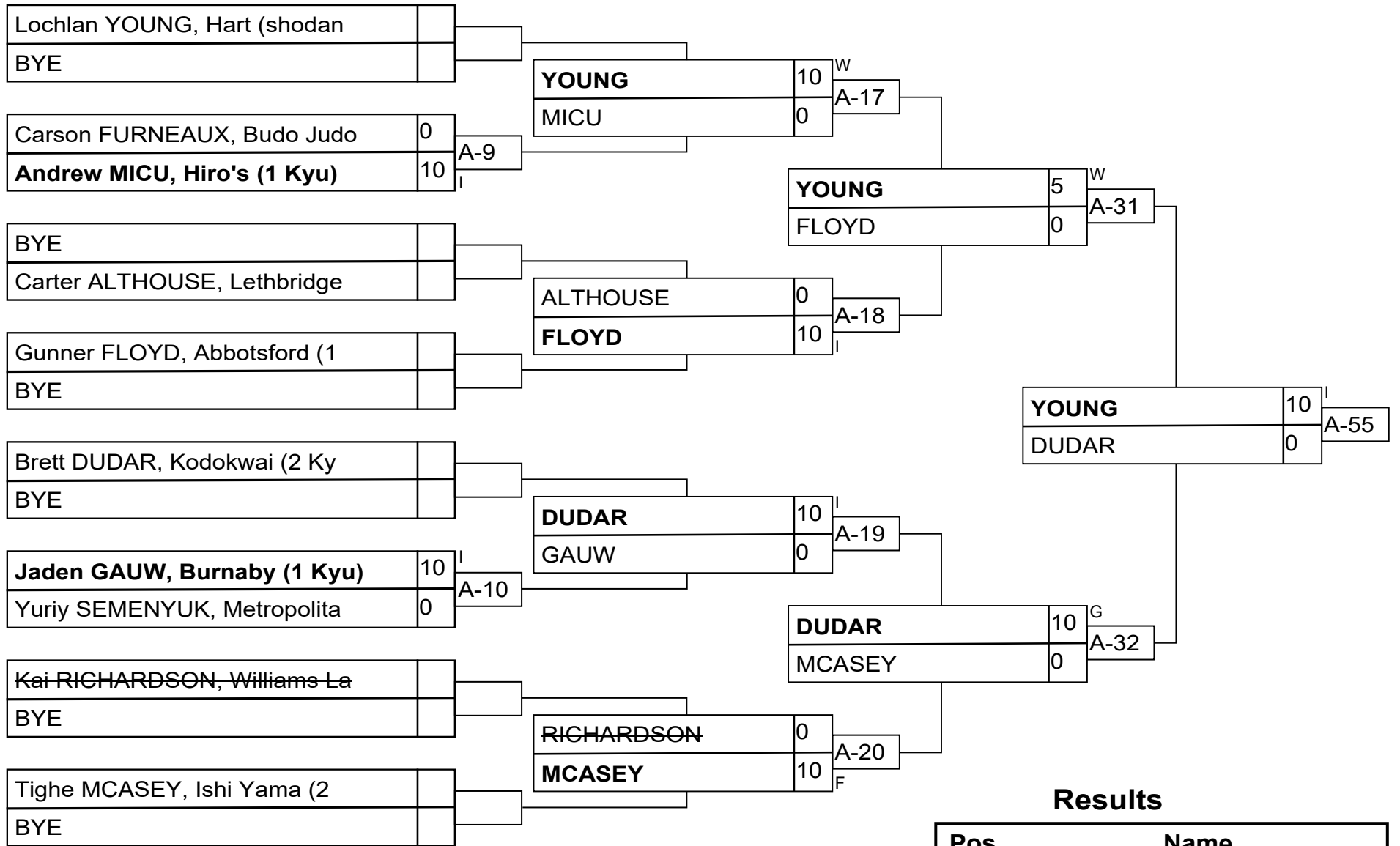


Results

Pos	Name
1	Nathan DEMAERE, Lethbrid
2	Felix MERCIER ROSS, Metr
3	David POPOVICI, Shidokan
3	Seth NOBERT, Kodokwai (1

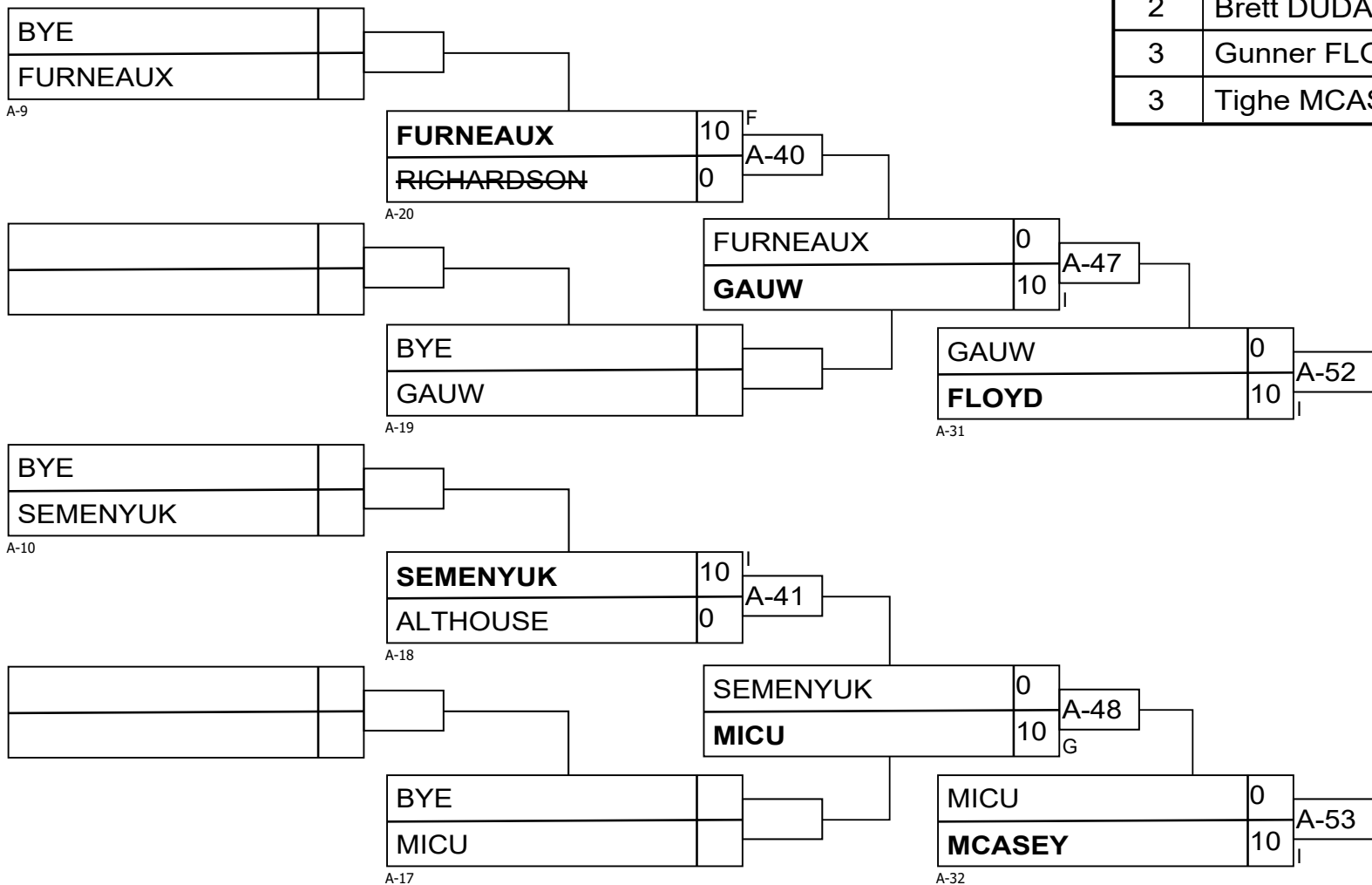


U18 Men -73kg

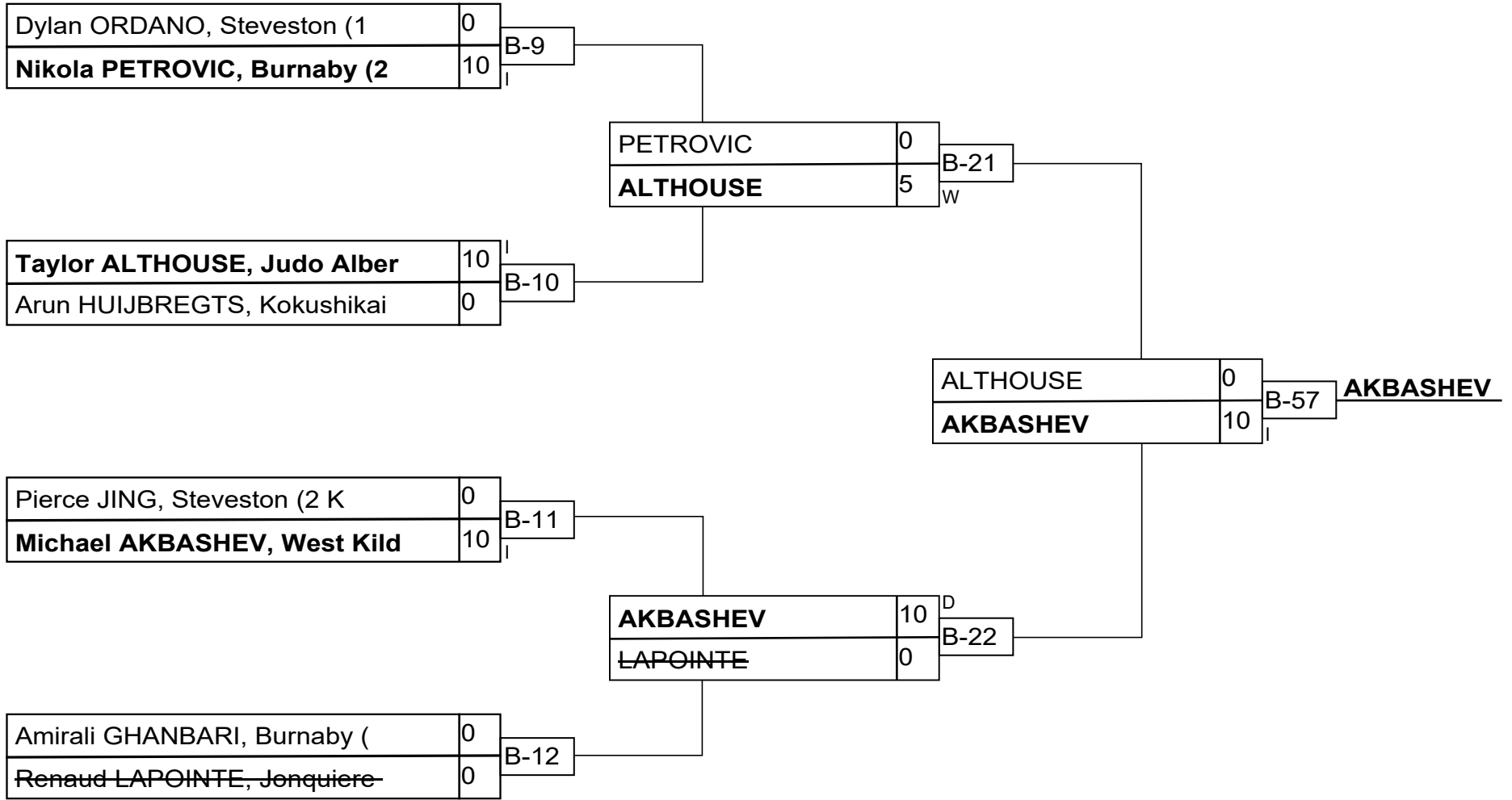


Results

Pos	Name
1	Lochlan YOUNG, Hart (sho
2	Brett DUDAR, Kodokwai (2
3	Gunner FLOYD, Abbotsford
3	Tighe MCASEY, Ishi Yama

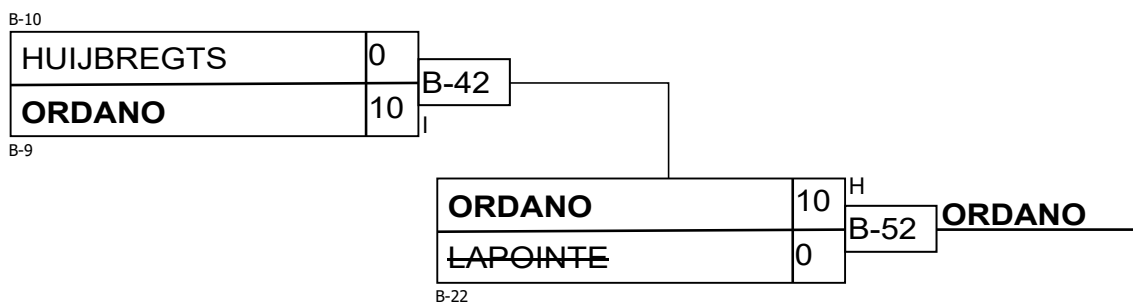
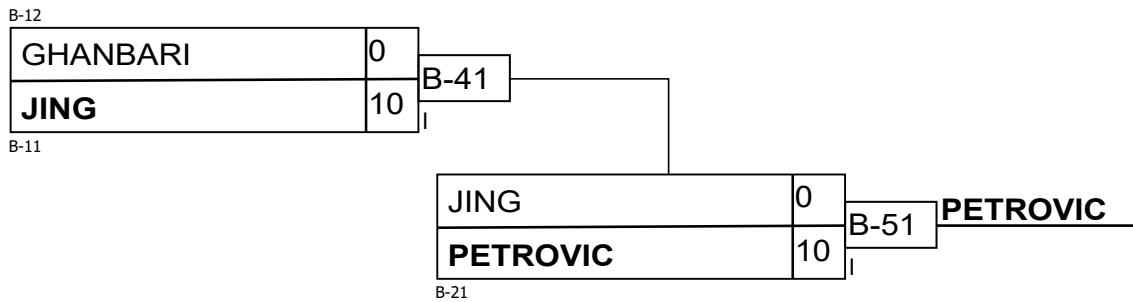


U18 Men -81kg



Results

Pos	Name
1	Michael AKBASHEV, West K
2	Taylor ALTHOUSE, Judo AI
3	Nikola PETROVIC, Burnaby
3	Dylan ORDANO, Steveston



U18 Men -90kg

Competitors

#	Name	Grade	Club	1	2	1	2	1	2	Wins	Pts	Pos
1	Ahmed GHANEM	2 Kyu	St. Albert Tokai	XX		XX	10	XX	10	2	20	1
2	Owen MACUMBER	1 Kyu	Ryudokan	10	XX		XX		XX	1	10	2

Matches

Match	White			Blue	Result	Time	Code
A-33	Ahmed GHANEM	1	2	Owen MACUMBER	0 - 10	1:42	IPO
A-42	Owen MACUMBER	2	1	Ahmed GHANEM	0 - 10	0:09	IPO
A-49	Ahmed GHANEM	1	2	Owen MACUMBER	10 - 0	1:02	IPO

Results

Pos	Name
1	Ahmed GHANEM, St. Albert Tokai
2	Owen MACUMBER, Ryudokan

U18 Men +90kg

Competitors

#	Name	Grade	Club	1	2	1	2	1	2	Wins	Pts	Pos
1	Briac GUEZILLE	2 Kyu	Police	XX		XX		XX		0	0	2
2	Nolan ELLIOT	2 Kyu	Kam Lake	10	XX	10	XX		XX	2	20	1

Matches

Match	White			Blue	Result	Time	Code
B-30	Briac GUEZILLE	1	2	Nolan ELLIOT	0 - 10	2:54	WIP
B-40	Nolan ELLIOT	2	1	Briac GUEZILLE	10 - 0	0:05	IPO
B-50	Briac GUEZILLE	1	2	Nolan ELLIOT			

Results

Pos	Name
1	Nolan ELLIOT, Kam Lake

U18 Women -44kg

Competitors

#	Name	Grade	Club	1	2	3	4	5	Wins	Pts	Pos
1	Ekaterina DANILKOV	2 Kyu	Burnaby	XX			10	10	2	20	2
2	Angelina MCCRISTALL	2 Kyu	Upper Canada	10	XX		5		2	15	3
3	Brynn IWAASA	2 Kyu	Lethbridge Kyodokan	10	10	XX	10	10	4	40	1
4	Kylee ESPARBES	3 Kyu	Steveston				XX		0	0	5
5	Lola SHEARER	3 Kyu	Steveston		10		10	XX	2	20	3

Matches

Match	White			Blue	Result	Time	Code
1	Kylee ESPARBES	4	5	Lola SHEARER	0 - 10	3:38	WIP
2	Ekaterina DANILKOV	1	2	Angelina MCCRISTALL	0 - 10	1:34	IPO
3	Brynn IWAASA	3	4	Kylee ESPARBES	10 - 0	0:19	IPO
4	Ekaterina DANILKOV	1	5	Lola SHEARER	10 - 0	1:05	IPO
5	Angelina MCCRISTALL	2	3	Brynn IWAASA	0 - 10	2:11	WIP
6	Ekaterina DANILKOV	1	4	Kylee ESPARBES	10 - 0	0:23	IPO
7	Brynn IWAASA	3	5	Lola SHEARER	10 - 0	0:24	IPO
8	Angelina MCCRISTALL	2	4	Kylee ESPARBES	5 - 0	4:00	WAZ
9	Ekaterina DANILKOV	1	3	Brynn IWAASA	0 - 10	1:11	WIP
10	Angelina MCCRISTALL	2	5	Lola SHEARER	0 - 10	2:12	IPO

Results

Pos	Name
1	Brynn IWAASA, Lethbridge Kyodokan
2	Ekaterina DANILKOV, Burnaby
3	Lola SHEARER, Steveston
3	Angelina MCCRISTALL, Upper Canada

U18 Women -48kg

Competitors

#	Name	Grade	Club	1	2	3	4	5	Wins	Pts	Pos
1	Ayumi MORITA	2 Kyu	Police Judo Junior	XX		10			1	10	3
2	Rakiiia LOLIEVA	1 Kyu	Burnaby	10	XX	10	10	10	4	40	1
3	Nadine BONDT	3 Kyu	Vernon			XX			0	0	5
4	Olivia SHEEHAN	2 Kyu	Campbell River	5		10	XX		2	15	3
5	Klavdia DANILKOV	1 Kyu	Burnaby	5		10	10	XX	3	25	2

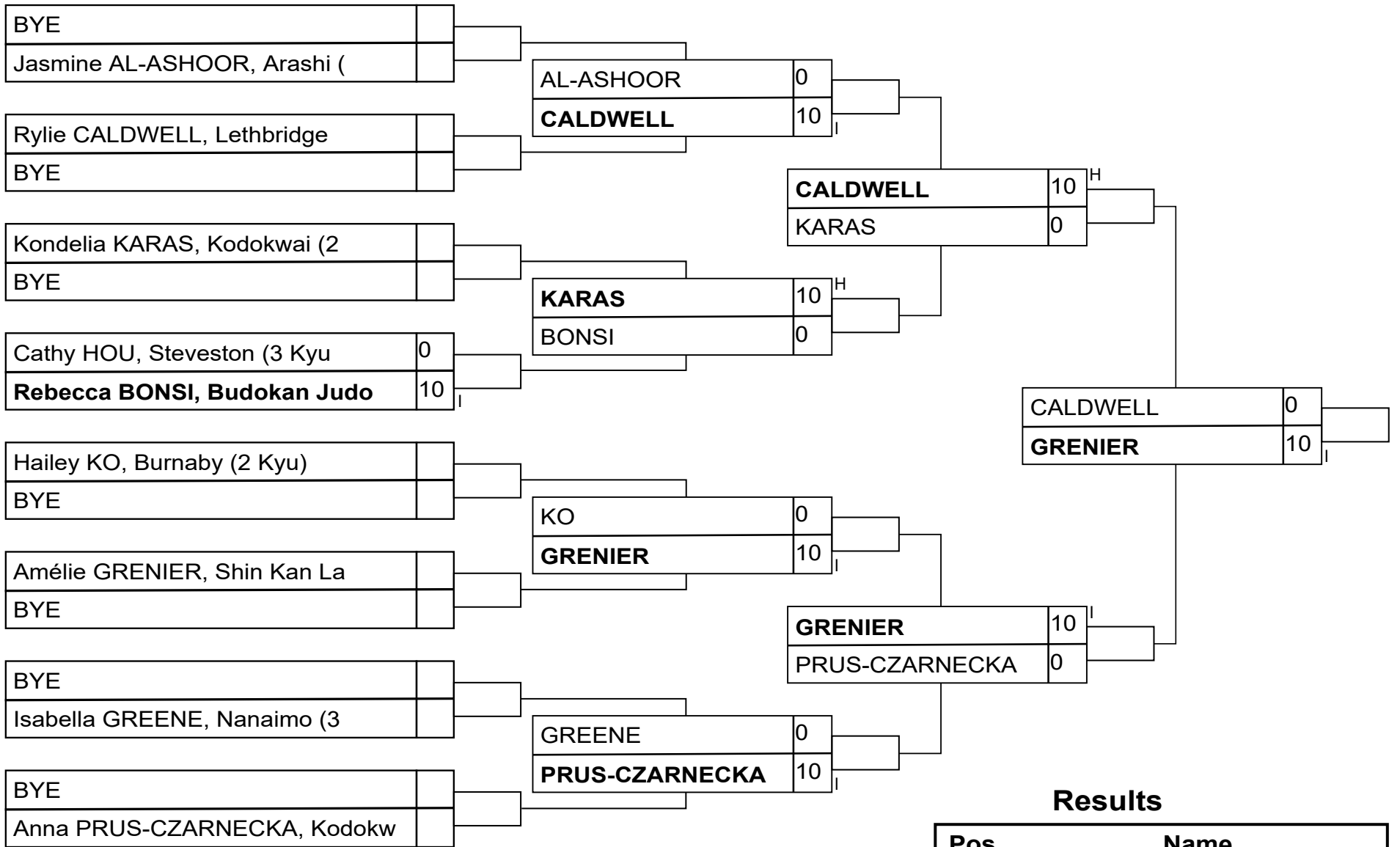
Matches

Match	White			Blue	Result	Time	Code
A-11	Olivia SHEEHAN	4	5	Klavdia DANILKOV	0 - 10	2:35	IPO
A-12	Ayumi MORITA	1	2	Rakiiia LOLIEVA	0 - 10	3:31	WIP
A-21	Nadine BONDT	3	4	Olivia SHEEHAN	0 - 10	1:39	WIP
A-22	Ayumi MORITA	1	5	Klavdia DANILKOV	0 - 5	4:00	WAZ
A-27	Rakiiia LOLIEVA	2	3	Nadine BONDT	10 - 0	0:26	IPO
A-28	Ayumi MORITA	1	4	Olivia SHEEHAN	0 - 5	4:00	WAZ
A-34	Nadine BONDT	3	5	Klavdia DANILKOV	0 - 10	1:19	IPO
A-35	Rakiiia LOLIEVA	2	4	Olivia SHEEHAN	10 - 0	2:32	IPO
A-43	Ayumi MORITA	1	3	Nadine BONDT	10 - 0	1:46	IPO
A-44	Rakiiia LOLIEVA	2	5	Klavdia DANILKOV	10 - 0	2:10	IPO

Results

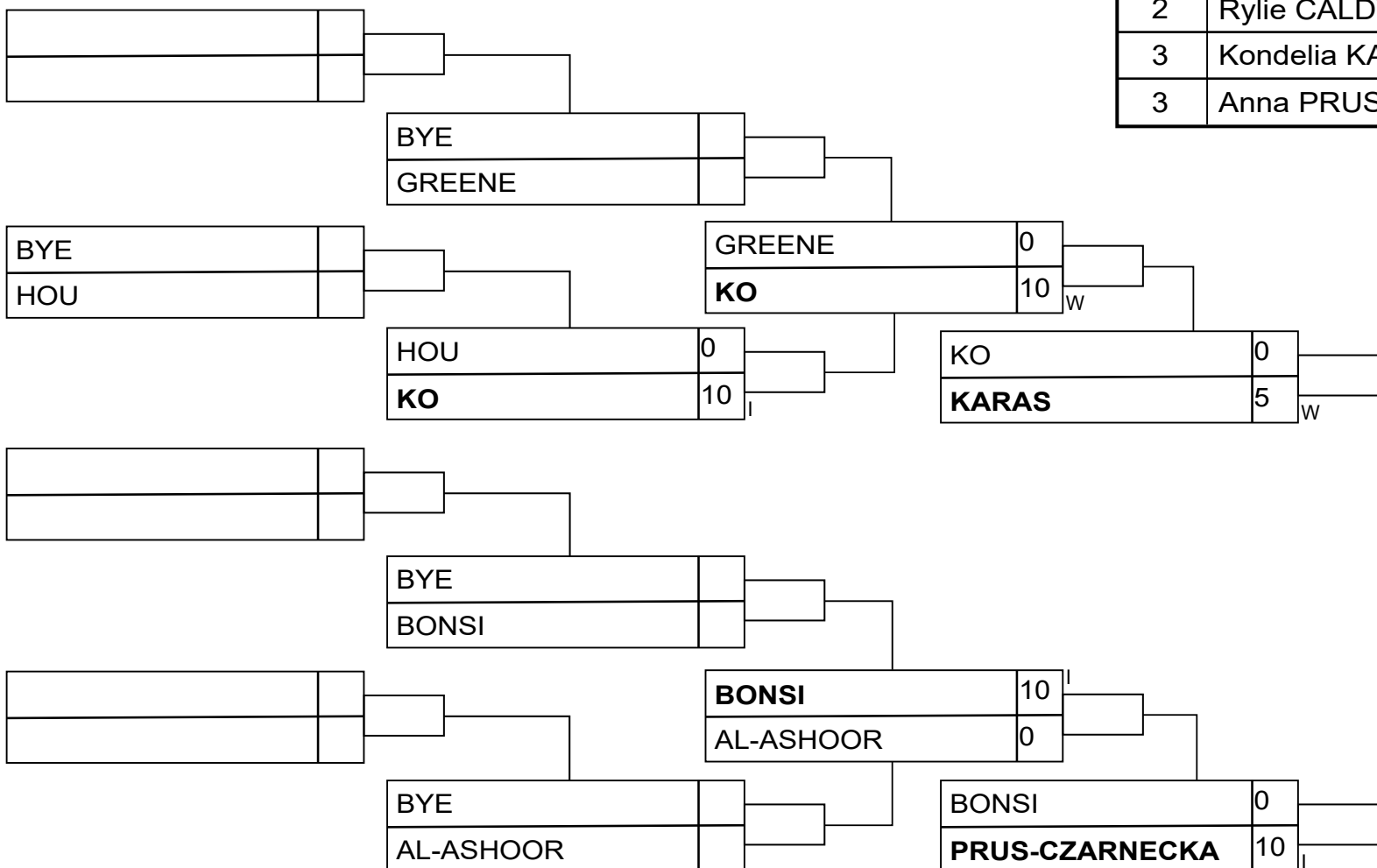
Pos	Name
1	Rakiiia LOLIEVA, Burnaby
2	Klavdia DANILKOV, Burnaby
3	Olivia SHEEHAN, Campbell River
3	Ayumi MORITA, Police Judo Junior

U18 Women -52kg



Results

Pos	Name
1	Amélie GRENIER, Shin Kan
2	Rylie CALDWELL, Lethbrid
3	Kondelia KARAS, Kodokwai
3	Anna PRUS-CZARNECKA, Kod



U18 Women -57kg

Competitors A

#	Name	Grade	Club	1	2	3	Wins	Pts	Pos
1	Caleigh KURAMOTO	1 Kyu	Steveston	XX	10	10	2	20	1
2	Zoe LEE	3 Kyu	Burnaby		XX	10	1	10	2
3	Elysia KEHRIG	2 Kyu	Avonhurst			XX	0	0	3

Matches A

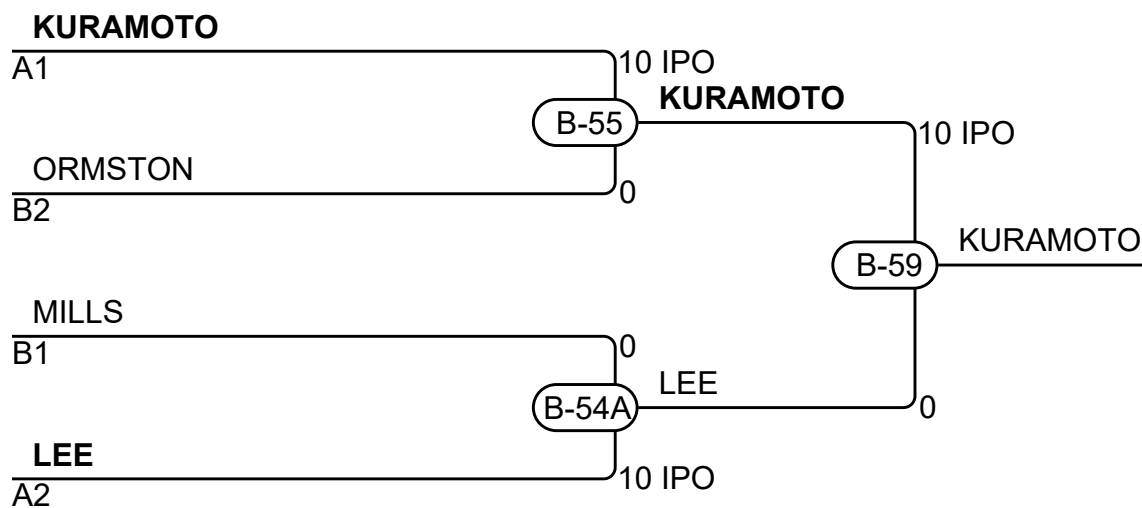
Match	White	Blue	Result	Time	Code
B-28	Caleigh KURAMOTO 1 2	Zoe LEE	10 - 0	0:12	IPO
B-38	Caleigh KURAMOTO 1 3	Elysia KEHRIG	10 - 0	3:33	HAN
B-48	Zoe LEE 2 3	Elysia KEHRIG	10 - 0	0:29	IPO

Competitors B

#	Name	Grade	Club	4	5	6	Wins	Pts	Pos
4	Molly GIRVIN	3 Kyu	Campbell River	XX			0	0	3
5	Kelley MILLS	2 Kyu	Saskatoon YMCA	10	XX	10	2	20	1
6	Eden ORMSTON	2 Kyu	Hayabusakan	10		XX	1	10	2

Matches B

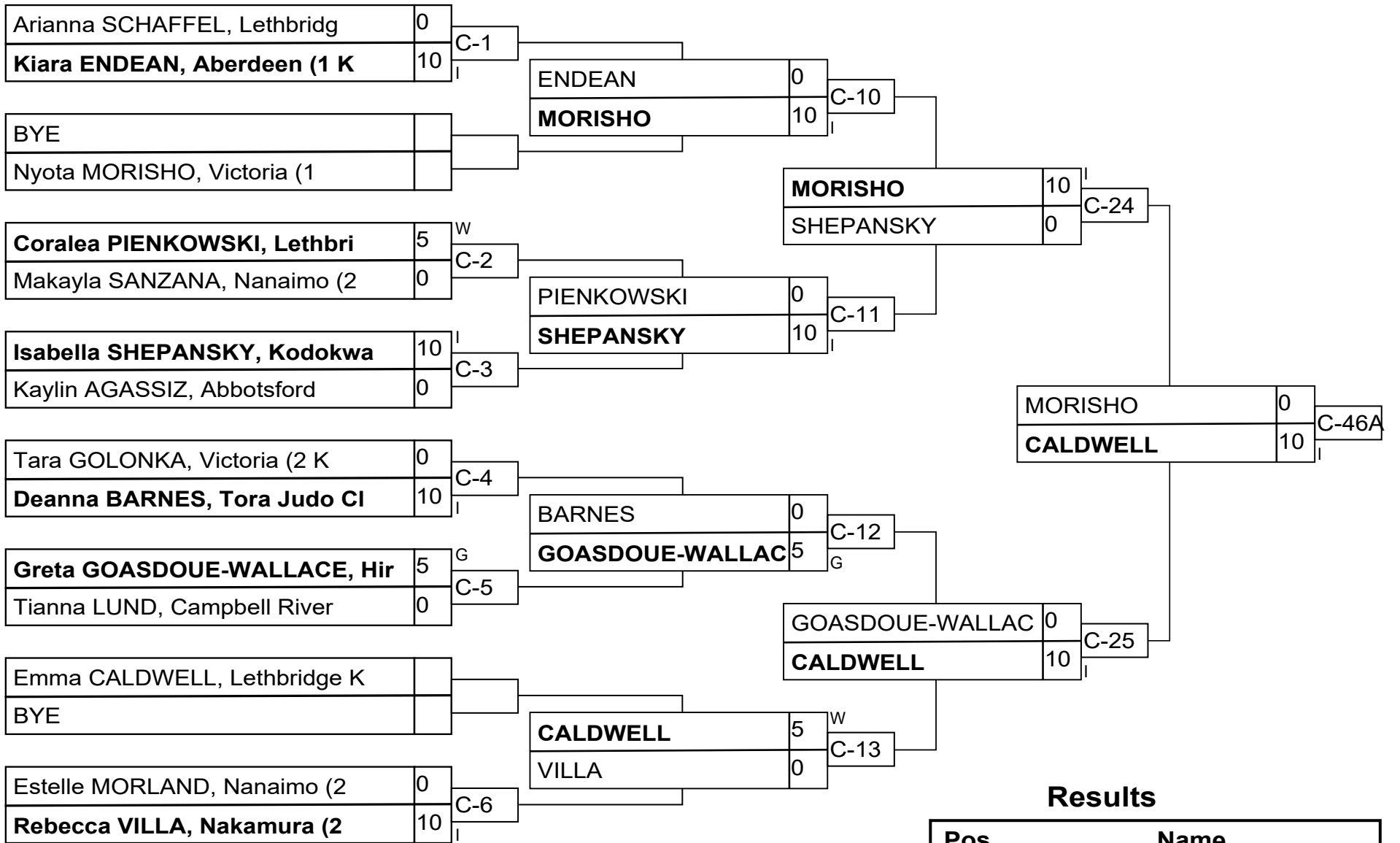
Match	White	Blue	Result	Time	Code
B-29	Molly GIRVIN 4 5	Kelley MILLS	0 - 10	0:07	IPO
B-39	Molly GIRVIN 4 6	Eden ORMSTON	0 - 10	0:30	IPO
B-49	Kelley MILLS 5 6	Eden ORMSTON	10 - 0	2:36	IPO



Results

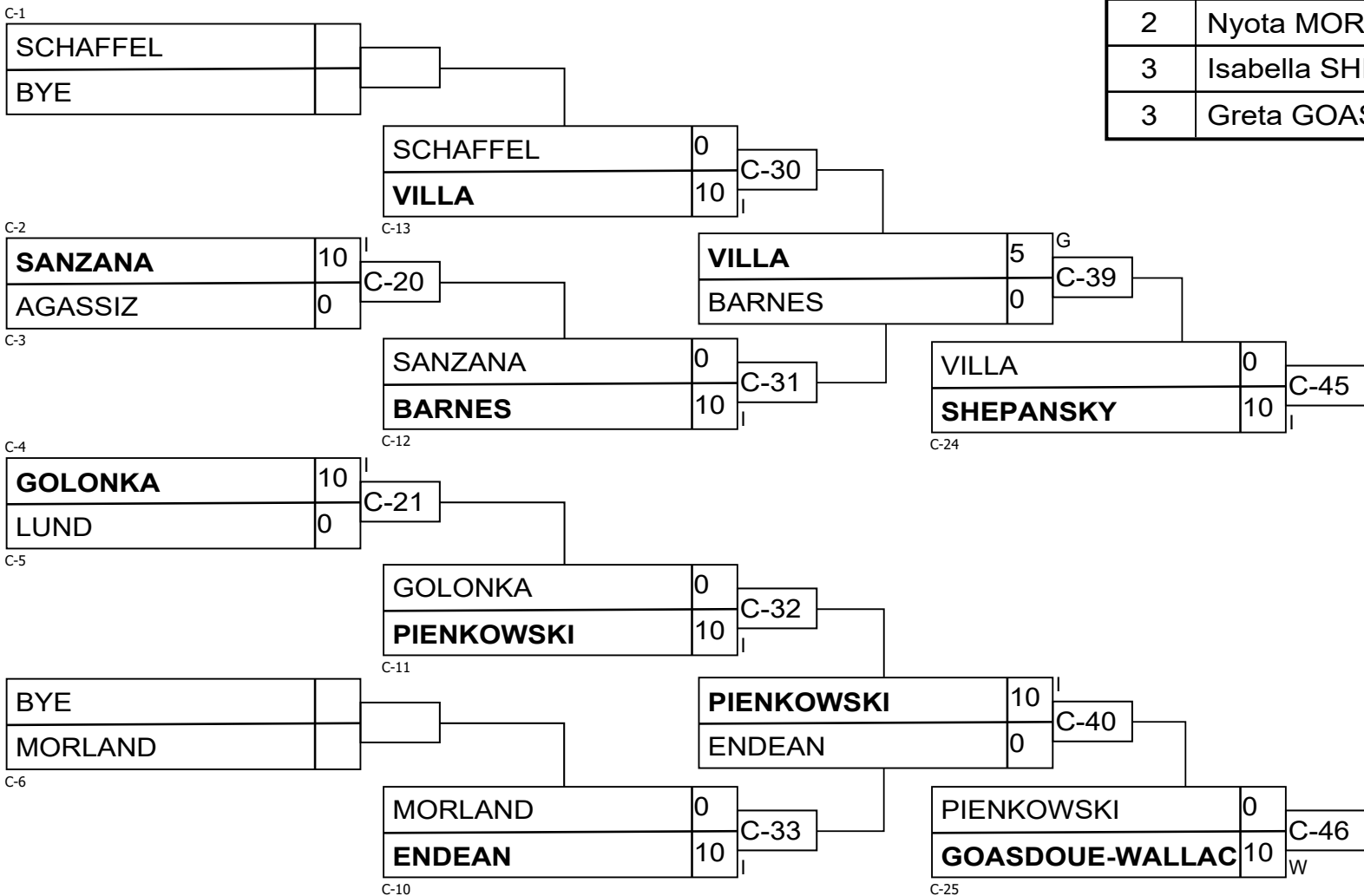
Pos	Name
1	Caleigh KURAMOTO, Steveston
2	Zoe LEE, Burnaby
3	Eden ORMSTON, Hayabusakan
3	Kelley MILLS, Saskatoon YMCA

U18 Women -63kg



Results

Pos	Name
1	Emma CALDWELL, Lethbridg
2	Nyota MORISHO, Victoria
3	Isabella SHEPANSKY, Kodo
3	Greta GOASDOUE-WALLACE,



U18 Women -70kg

Competitors

#	Name	Grade	Club	1	2	3	4	5	Wins	Pts	Pos
1	Jade LOWENSTEIN	3 Kyu	Penticton	XX		5			1	5	5
2	Jenna NYSTROM	2 Kyu	Kam Lake	10	XX		10		2	20	2
3	Bailey DOERFLER	1 Kyu	York		10	XX			1	10	3
4	Hannah DARMADI	3 Kyu	Nanaimo	10		5	XX		2	15	3
5	Yana JACOBS	2 Kyu	Campbell River	10	10	5	10	XX	4	35	1

Matches

Match	White			Blue	Result	Time	Code
C-14	Hannah DARMADI	4	5	Yana JACOBS	0 - 10	0:16	IPO
C-15	Jade LOWENSTEIN	1	2	Jenna NYSTROM	0 - 10	1:32	IPO
C-22	Bailey DOERFLER	3	4	Hannah DARMADI	0 - 5	4:00	WAZ
C-23	Jade LOWENSTEIN	1	5	Yana JACOBS	0 - 10	3:54	IPO
C-26	Jenna NYSTROM	2	3	Bailey DOERFLER	0 - 10	1:01	IPO
C-27	Jade LOWENSTEIN	1	4	Hannah DARMADI	0 - 10	3:31	IPO
C-34	Bailey DOERFLER	3	5	Yana JACOBS	0 - 5	4:00	WAZ
C-35	Jenna NYSTROM	2	4	Hannah DARMADI	10 - 0	2:36	IPO
C-41	Jade LOWENSTEIN	1	3	Bailey DOERFLER	5 - 0	4:00	WAZ
C-42	Jenna NYSTROM	2	5	Yana JACOBS	0 - 10	1:44	WIP

Results

Pos	Name
1	Yana JACOBS, Campbell River
2	Jenna NYSTROM, Kam Lake
3	Hannah DARMADI, Nanaimo
3	Bailey DOERFLER, York
5	Jade LOWENSTEIN, Penticton

U18 Women +70kg

Competitors

#	Name	Grade	Club	1	2	3	Wins	Pts	Pos
1	Samantha ULRICH	1 Kyu	West Kildonan	XX	10	10	2	20	1
2	Dakota WEBB	2 Kyu	Kokushikai		XX		0	0	3
3	Janessa KEAYS	2 Kyu	Kenshukan		10	XX	1	10	2

Matches

Match	White			Blue	Result	Time	Code
B-27	Samantha ULRICH	1	2	Dakota WEBB	10 - 0	3:12	IPO
B-37	Samantha ULRICH	1	3	Janessa KEAYS	10 - 0	2:23	WIP
B-47	Dakota WEBB	2	3	Janessa KEAYS	0 - 10	1:57	IPO

Results

Pos	Name
1	Samantha ULRICH, West Kildonan
2	Janessa KEAYS, Kenshukan

U21 Men -60 tie breaker

Competitors

#	Name	Grade	Club	1	2	3	Wins	Pts	Pos
1	Kyle MCKAY	1 Kyu	Regina Y	XX	10		1	10	2
2	Ryan CONKLIN-BRIC	1 Kyu	Tora Judo Club		XX		0	0	3
3	Maxwell YOUNG	shodan	Hart	10	10	XX	2	20	1

Matches

Match	White			Blue	Result	Time	Code
B-78	Kyle MCKAY	1	2	Ryan CONKLIN-BRIC	10 - 0	2:51	IPO
B-79	Kyle MCKAY	1	3	Maxwell YOUNG	0 - 10	1:22	IPO
B-80	Ryan CONKLIN-BRIC	2	3	Maxwell YOUNG	0 - 10	1:28	IPO

Results

Pos	Name
1	Maxwell YOUNG, Hart
2	Kyle MCKAY, Regina Y

U21 Men -60kg

Competitors A

#	Name	Grade	Club	1	2	3	4	Wins	Pts	Pos
1	Dung NGUYEN	3 Kyu	Zenyu	XX				0	0	4
2	Kyle MCKAY	1 Kyu	Regina Y	10	XX		10	2	20	2
3	Maxwell YOUNG	shodan	Hart	10	10	XX	10	3	30	1
4	Ryan CONKLIN-BRIC	1 Kyu	Tora Judo Club	10			XX	1	10	3

Matches A

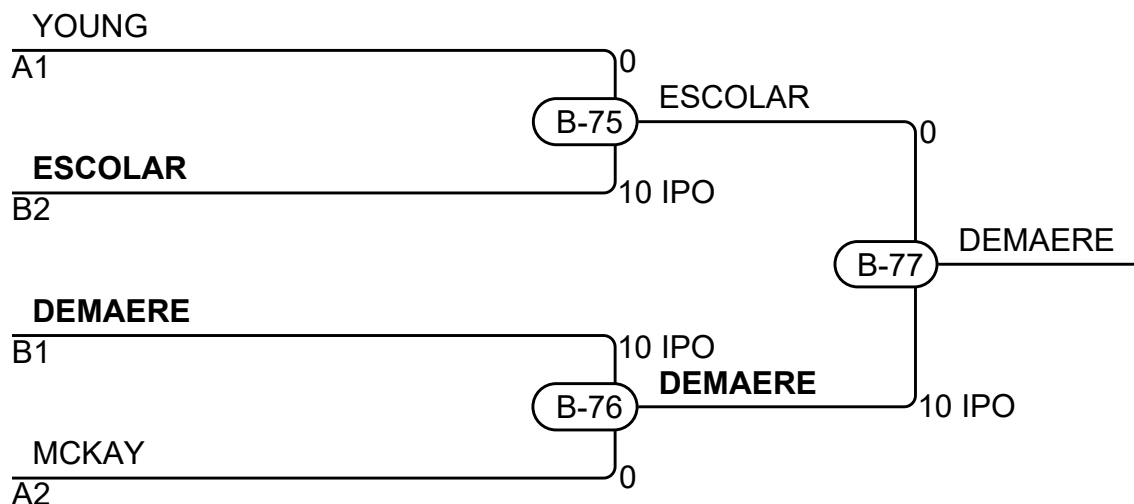
Match	White	Blue	Result	Time	Code
B-61	Dung NGUYEN 1 2	Kyle MCKAY	0 - 10	1:37	WIP
B-62	Maxwell YOUNG 3 4	Ryan CONKLIN-BRIC	10 - 0	3:06	IPO
B-66	Dung NGUYEN 1 3	Maxwell YOUNG	0 - 10	1:18	IPO
B-67	Kyle MCKAY 2 4	Ryan CONKLIN-BRIC	10 - 0	0:52	IPO
B-71	Dung NGUYEN 1 4	Ryan CONKLIN-BRIC	0 - 10	1:14	IPO
B-72	Kyle MCKAY 2 3	Maxwell YOUNG	0 - 10	2:12	IPO

Competitors B

#	Name	Grade	Club	5	6	7	Wins	Pts	Pos
5	Steven NGUYEN	3 Kyu	Zenyu	XX			0	0	3
6	Joel DEMAERE	shodan	Lethbridge Kyodokan Judo	10	XX	5	2	15	1
7	Thomas ESCOLAR	shodan	Shidokan	10		XX	1	10	2

Matches B

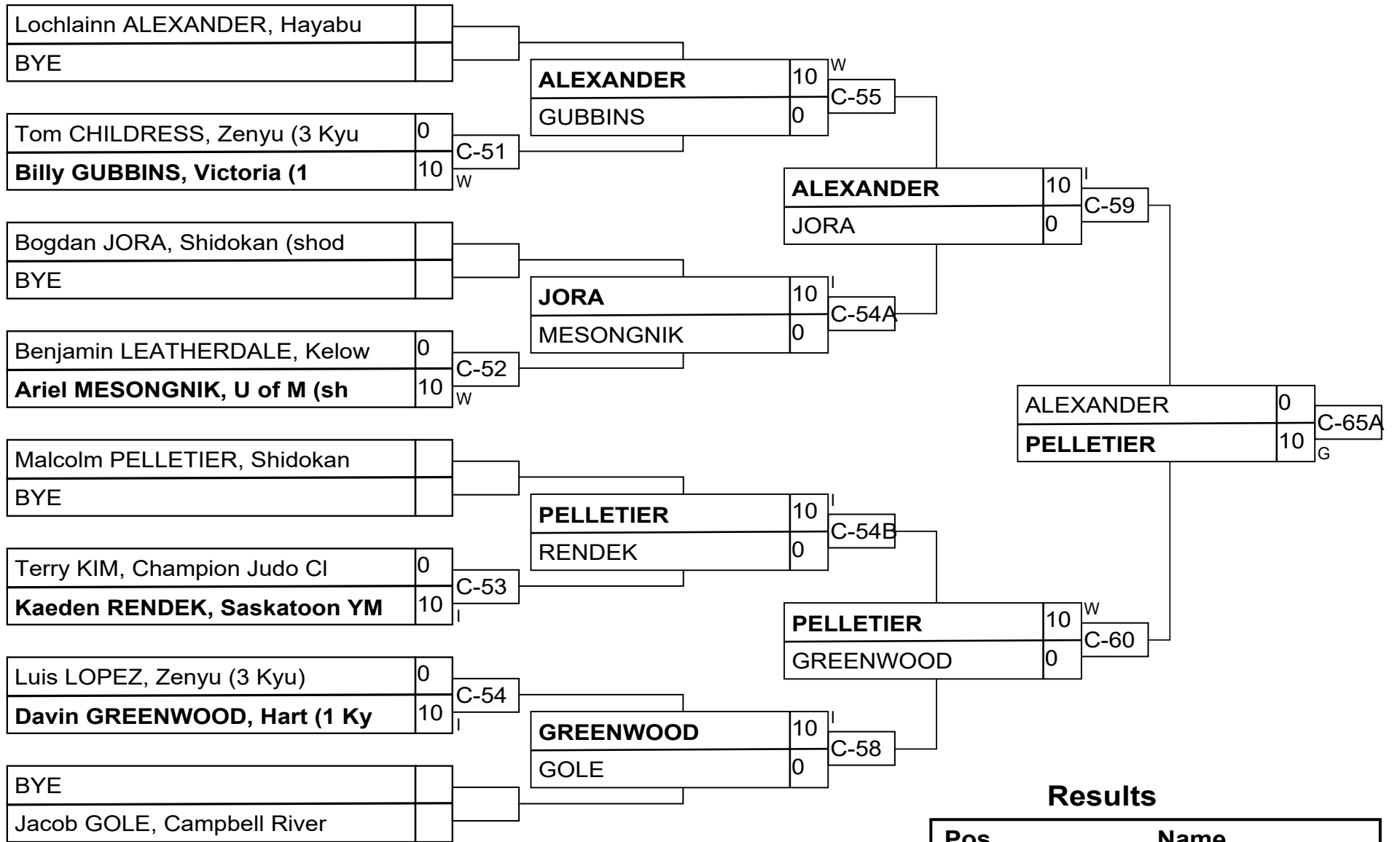
Match	White	Blue	Result	Time	Code
B-63	Steven NGUYEN 5 6	Joel DEMAERE	0 - 10	1:58	WIP
B-68	Steven NGUYEN 5 7	Thomas ESCOLAR	0 - 10	1:33	IPO
B-73	Joel DEMAERE 6 7	Thomas ESCOLAR	5 - 0	4:00	WAZ



Results

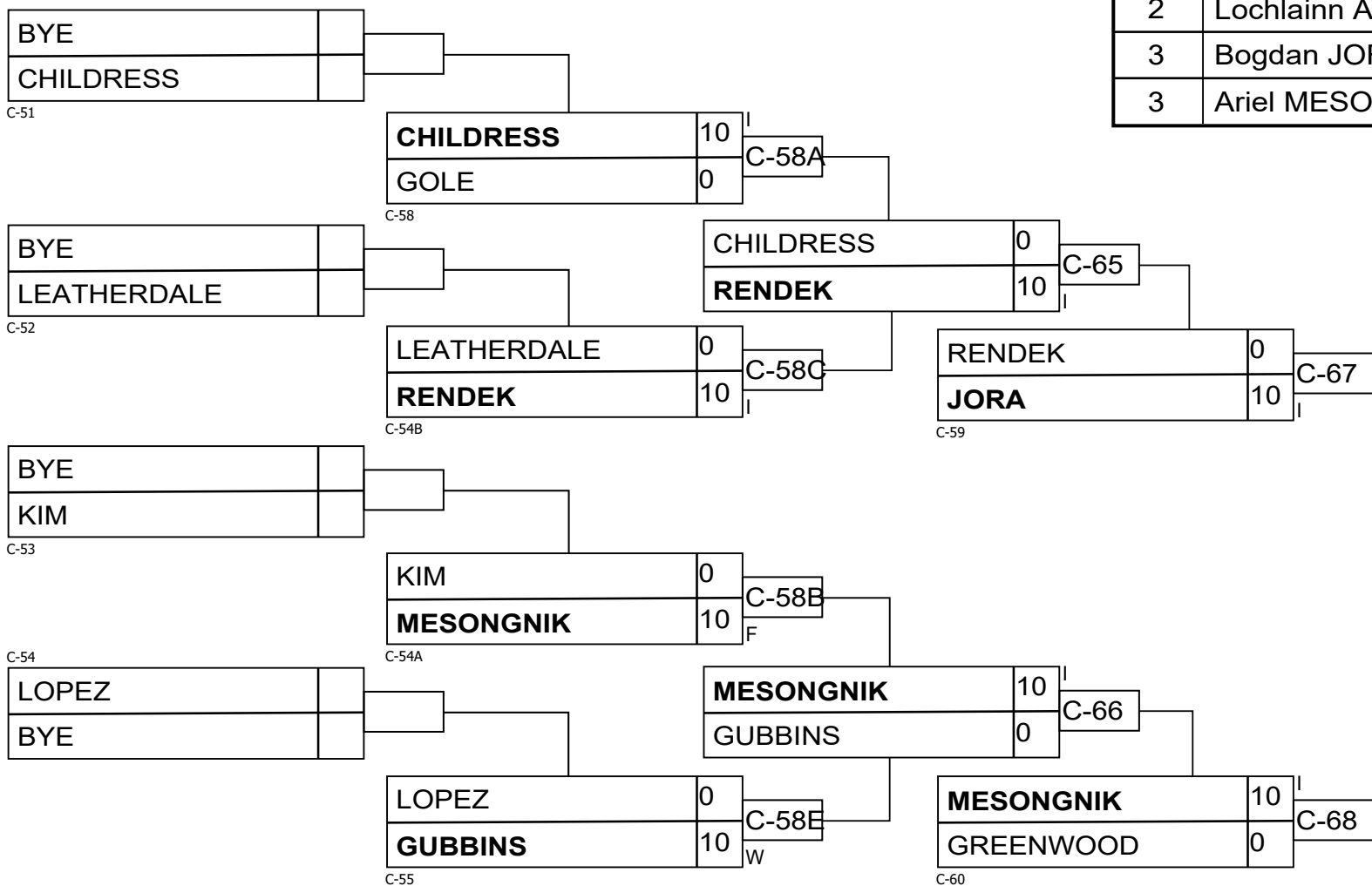
Pos	Name
1	Joel DEMAERE, Lethbridge Kyodokan Judo Club
2	Thomas ESCOLAR, Shidokan
3	Maxwell YOUNG, Hart
3	Kyle MCKAY, Regina Y

U21 Men -66kg

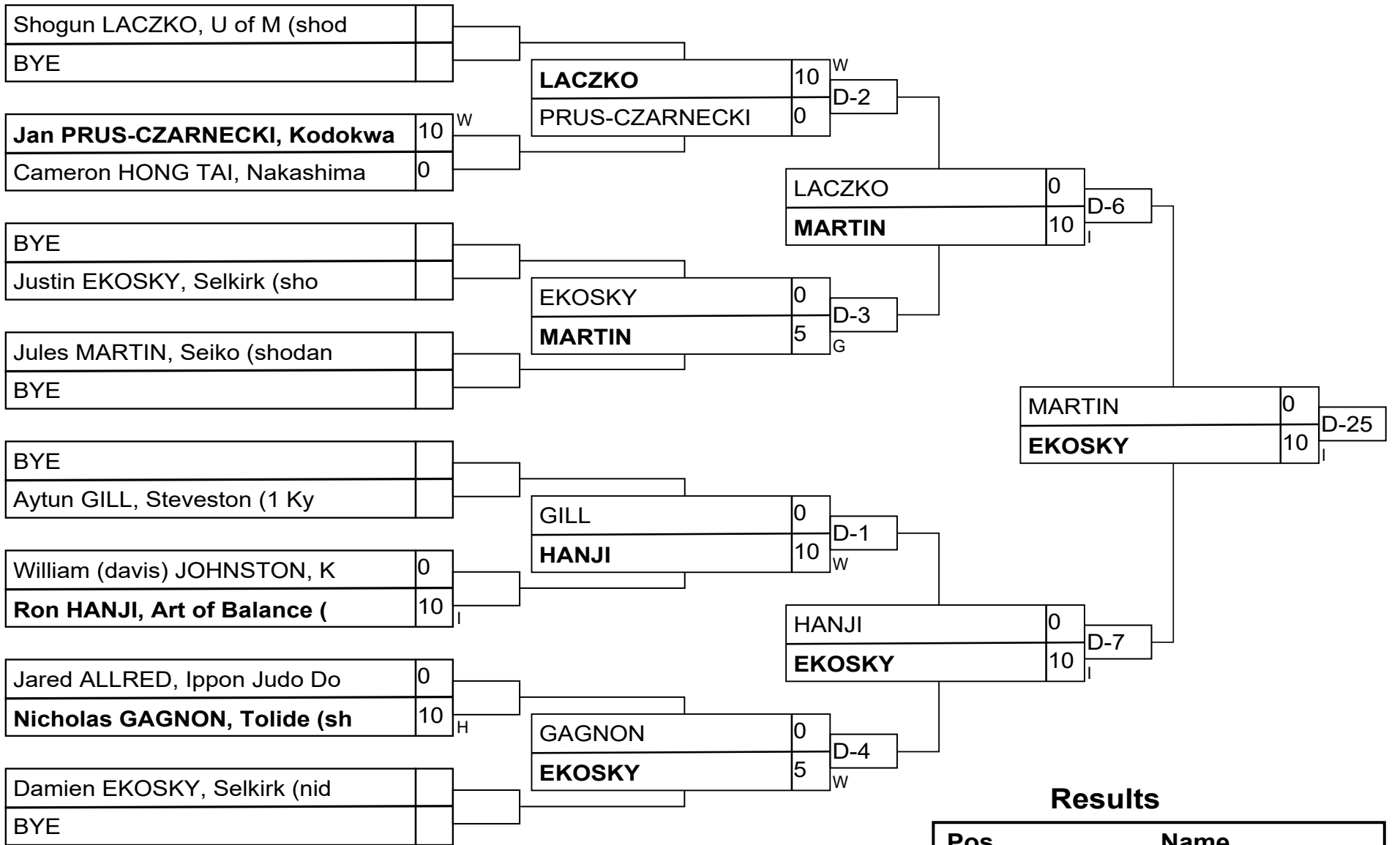


Results

Pos	Name
1	Malcolm PELLETIER, Shido
2	Lochlainn ALEXANDER, Hay
3	Bogdan JORA, Shidokan (s
3	Ariel MESONGNIK, U of M

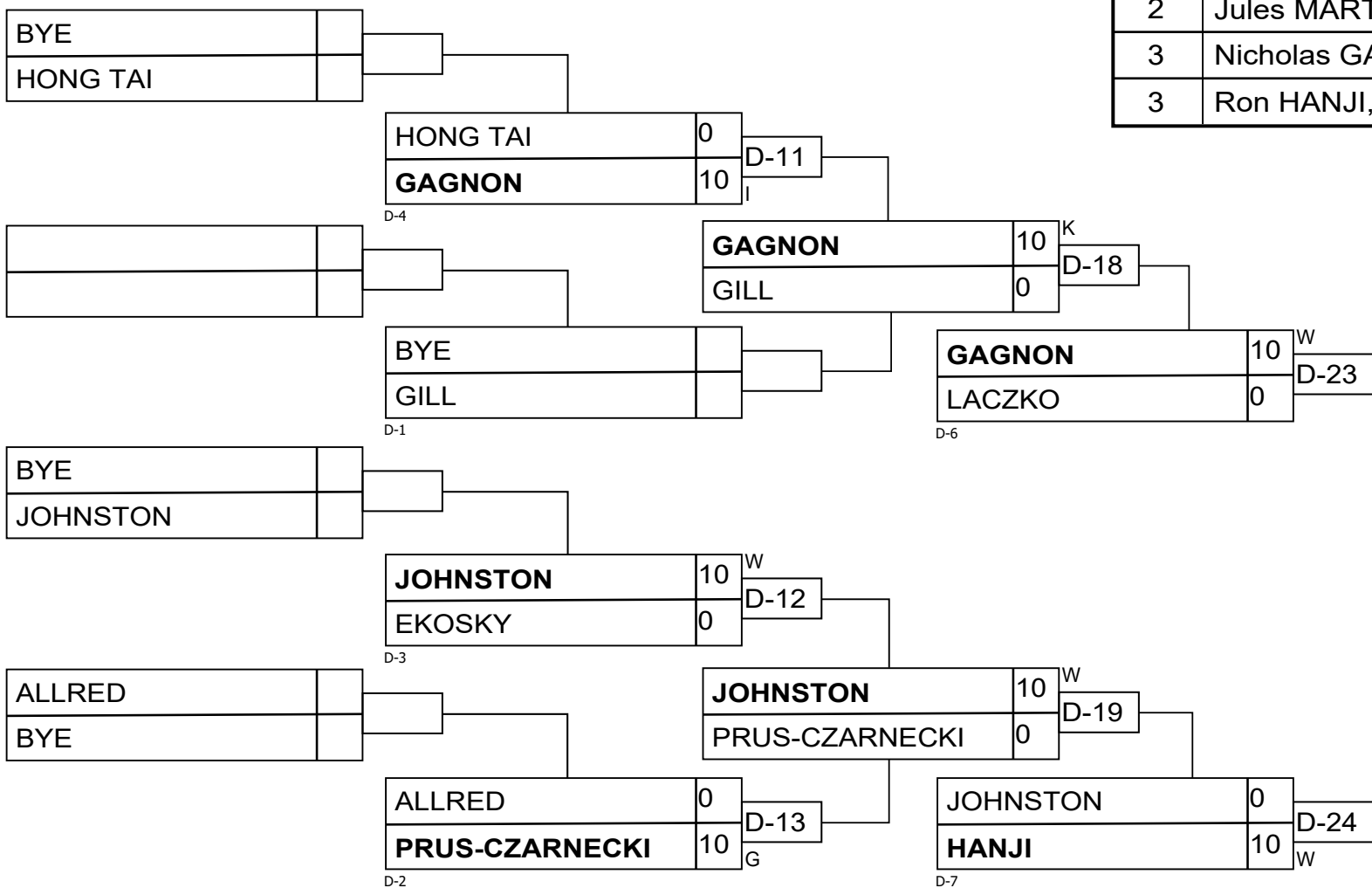


U21 Men -73kg



Results

Pos	Name
1	Damien EKOSKY, Selkirk (
2	Jules MARTIN, Seiko (sho
3	Nicholas GAGNON, Tolide
3	Ron HANJI, Art of Balanc



U21 Men -81kg

Competitors A

#	Name	Grade	Club	1	2	3	Wins	Pts	Pos
1	Zachary RENDER	1 Kyu	Lethbridge Kyodokan Judo	XX			0	0	3
2	Carter VEENENDAAL	1 Kyu	Abbotsford	10	XX		1	10	2
3	Yoshiki CASTILLO	shodan	East Bay Judo Institute	10	10	XX	2	20	1

Matches A

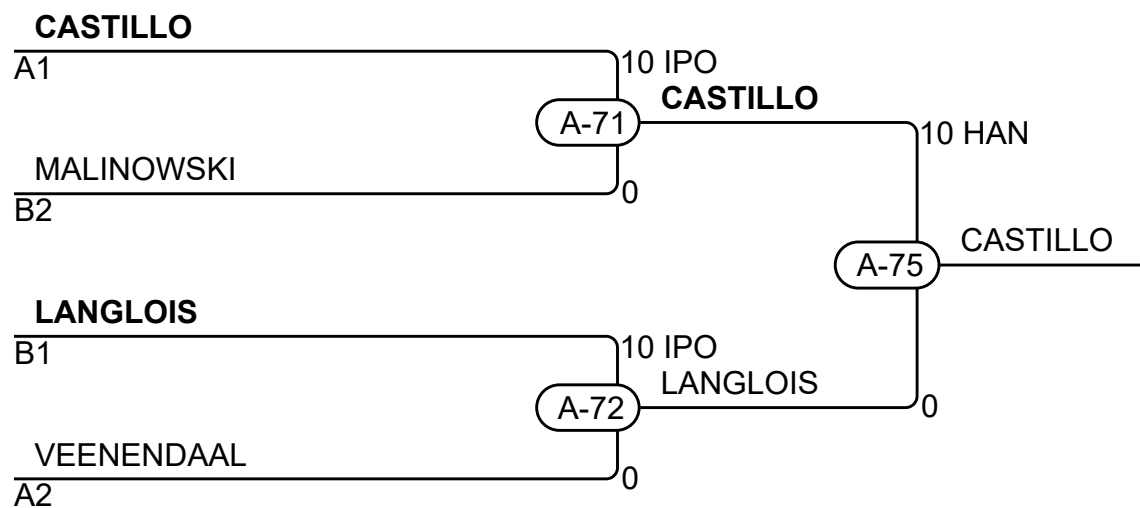
Match	White	Blue	Result	Time	Code
A-57	Zachary RENDER 1 2	Carter VEENENDAAL	0 - 10	4:15	GSI
A-62	Zachary RENDER 1 3	Yoshiki CASTILLO	0 - 10	0:51	IPO
A-67	Carter VEENENDAAL 2 3	Yoshiki CASTILLO	0 - 10	1:21	IPO

Competitors B

#	Name	Grade	Club	4	5	6	Wins	Pts	Pos
4	Bailey MALINOWSKI	1 Kyu	Selkirk	XX		10	1	10	2
5	Nicholas LANGLOIS	1 Kyu	Ajax	10	XX	10	2	20	1
6	Jason HAR	3 Kyu	Zenyu			XX	0	0	3

Matches B

Match	White	Blue	Result	Time	Code
A-58	Bailey MALINOWSKI 4 5	Nicholas LANGLOIS	0 - 10	0:59	IPO
A-63	Bailey MALINOWSKI 4 6	Jason HAR	10 - 0	2:21	IPO
A-68	Nicholas LANGLOIS 5 6	Jason HAR	10 - 0	0:23	IPO



Results

Pos	Name
1	Yoshiki CASTILLO, East Bay Judo Institute
2	Nicholas LANGLOIS, Ajax
3	Bailey MALINOWSKI, Selkirk
3	Carter VEENENDAAL, Abbotsford

U21 Men -90kg

Competitors

#	Name	Grade	Club	1	2	3	4	Wins	Pts	Pos
1	Maxwell GRANT	shodan	Victoria	XX		10		1	10	3
2	Jackson MINNICK	shodan	Victoria	10	XX	5	10	3	25	1
3	Nicolas LEVESQUE LESSARD	1 Kyu	Port Cartier			XX		0	0	3
4	Sasha TANASIUK	2 Kyu	Kodokwai	10		10	XX	2	20	2

Matches

Match	White			Blue	Result	Time	Code
1	Maxwell GRANT	1	2	Jackson MINNICK	0 - 10	1:51	IPO
D-2A	Nicolas LEVESQUE LESSARD	3	4	Sasha TANASIUK	0 - 10	1:29	IPO
D-5B	Maxwell GRANT	1	3	Nicolas LEVESQUE LESSARD	10 - 0	2:27	IPO
D-15	Jackson MINNICK	2	4	Sasha TANASIUK	10 - 0	0:43	IPO
D-18A	Maxwell GRANT	1	4	Sasha TANASIUK	0 - 10	3:48	IPO
D-18B	Jackson MINNICK	2	3	Nicolas LEVESQUE LESSARD	5 - 0	4:00	WAZ

Results

Pos	Name
1	Jackson MINNICK, Victoria
2	Sasha TANASIUK, Kodokwai
3	Maxwell GRANT, Victoria

U21 Men +100kg

Competitors

#	Name	Grade	Club	1	2	1	2	1	2	Wins	Pts	Pos
1	Toru IWAASA	1 Kyu	Swift Current	XX		XX		XX		0	0	2
2	Wilson ELLIOT	1 Kyu	Kam Lake	10	XX	10	XX		XX	2	20	1

Matches

Match	White			Blue	Result	Time	Code
D-5A	Toru IWAASA	1	2	Wilson ELLIOT	0 - 10	2:38	WIP
D-16	Wilson ELLIOT	2	1	Toru IWAASA	10 - 0	0:46	IPO
D-22	Toru IWAASA	1	2	Wilson ELLIOT			

Results

Pos	Name
1	Wilson ELLIOT, Kam Lake

U21 Women -48kg

Competitors

#	Name	Grade	Club	1	2	3	Wins	Pts	Pos
1	Kimiko KAMSTRA	1 Kyu	Hart	XX			0	0	3
2	Léa ROY	shodan	d'Asbestos-Dandeville	10	XX	10	2	20	1
3	Brooke CORBETT	2 Kyu	Hart	10		XX	1	10	2

Matches

Match	White			Blue	Result	Time	Code
A-56	Kimiko KAMSTRA	1	2	Léa ROY	0 - 10	2:22	IPO
A-61	Kimiko KAMSTRA	1	3	Brooke CORBETT	0 - 10	2:55	IPO
A-66	Léa ROY	2	3	Brooke CORBETT	10 - 0	0:57	WIP

Results

Pos	Name
1	Léa ROY, d'Asbestos-Dandeville
2	Brooke CORBETT, Hart

U21 Women -63kg

Competitors

#	Name	Grade	Club	1	2	1	2	1	2	Wins	Pts	Pos
1	Sakura TAMAOKI	nidan	All Japan Univ.	XX	10	XX	10	XX		2	20	1
2	Sasha ZIGIC	shodan	Nakamura		XX		XX		XX	0	0	2

Matches

Match	White			Blue	Result	Time	Code
D-5	Sakura TAMAOKI	1	2	Sasha ZIGIC	10 - 0	3:54	WIP
D-10	Sasha ZIGIC	2	1	Sakura TAMAOKI	0 - 10	0:06	IPO
D-17	Sakura TAMAOKI	1	2	Sasha ZIGIC			

Results

Pos	Name
1	Sakura TAMAOKI, All Japan Univ.

PAC Intl Mar 17/19 Rmd Olympic Oval U16 Women -40kg

Competitors: 2

Competitors

#	Name	Grade	Club	1	2	1	2	1	2	Wins	Pts	Pos
1	Avery GIBNEY (40,00)	3 Kyu	Moose Jaw Koseikan Judo	XX		XX		XX		0	0	2
2	Lola SHEARER (40,00)	3 Kyu	Steveston	10	XX	10	XX		XX	2	20	1

Matches

Match	White			Blue	Result	Time	Code
D-30	Avery GIBNEY	1	2	Lola SHEARER	0 - 10	1:20	WIP
D-39	Lola SHEARER	2	1	Avery GIBNEY	10 - 0	0:41	WIP
D-49	Avery GIBNEY	1	2	Lola SHEARER			

Results

Pos	Name
1	Lola SHEARER, Steveston

PAC Intl Mar 17/19 Rmd Olympic Oval U16 Women -44kg

Competitors: 6

Competitors A

#	Name	Grade	Club	1	2	3	Wins	Pts	Pos
1	Kylee ESPARBES (44,00)	3 Kyu	Steveston	XX			0	0	3
2	Abigail SHEEHAN (44,00)	3 Kyu	Campbell River	5	XX		1	5	2
3	Brynn IWAASA (44,00)	2 Kyu	Lethbridge Kyodokan	10	10	XX	2	20	1

Matches A

Match	White			Blue	Result	Time	Code
D-26	Kylee ESPARBES	1	2	Abigail SHEEHAN	0 - 5	0:00	GSW
D-34	Kylee ESPARBES	1	3	Brynn IWAASA	0 - 10	0:28	WIP
D-45	Abigail SHEEHAN	2	3	Brynn IWAASA	0 - 10	0:11	IPO

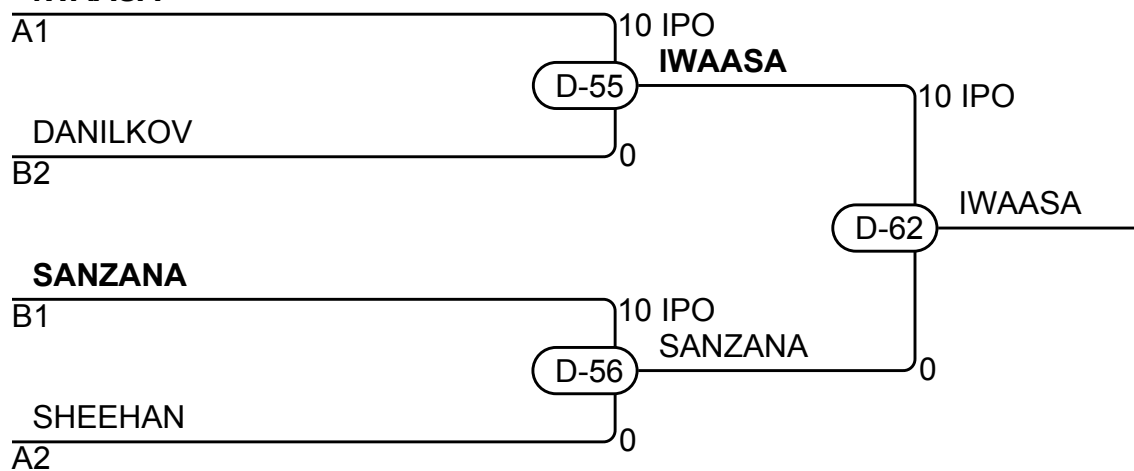
Competitors B

#	Name	Grade	Club	4	5	6	Wins	Pts	Pos
4	Angelina MCCRISTALL (44,00)	2 Kyu	Upper Canada	XX			0	0	3
5	Dakota SANZANA (44,00)	3 Kyu	Nanaimo	5	XX	10	2	15	1
6	Ekaterina DANILKOV (44,00)	2 Kyu	Burnaby	5		XX	1	5	2

Matches B

Match	White			Blue	Result	Time	Code
D-27	Angelina MCCRISTALL	4	5	Dakota SANZANA	0 - 5	0:00	GSW
D-35	Angelina MCCRISTALL	4	6	Ekaterina DANILKOV	0 - 5	0:00	WAZ
D-46	Dakota SANZANA	5	6	Ekaterina DANILKOV	10 - 0	2:05	IPO

IWAASA

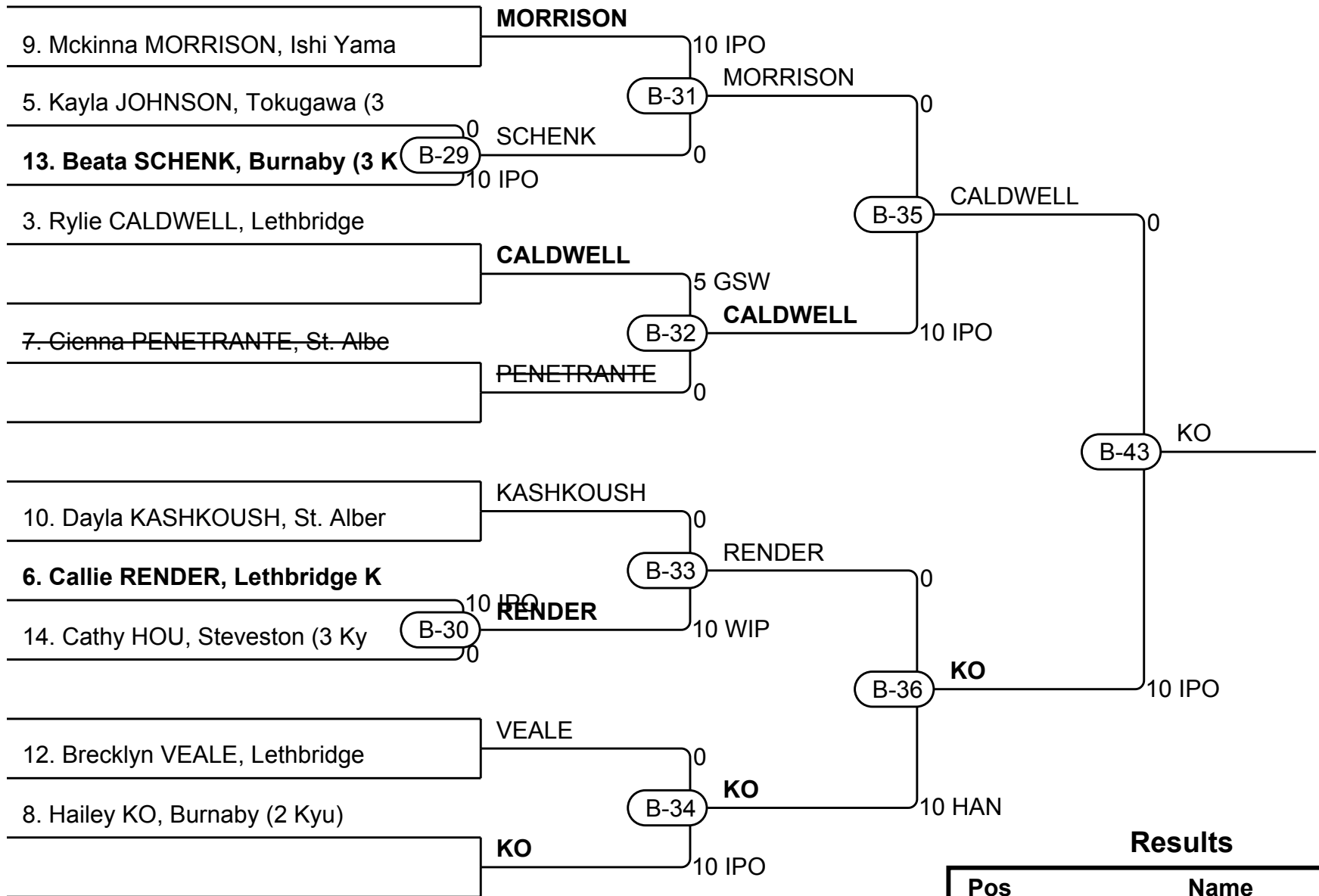


Results

Pos	Name
1	Brynn IWAASA, Lethbridge Kyodokan
2	Dakota SANZANA, Nanaimo
3	Ekaterina DANILKOV, Burnaby
3	Abigail SHEEHAN, Campbell River

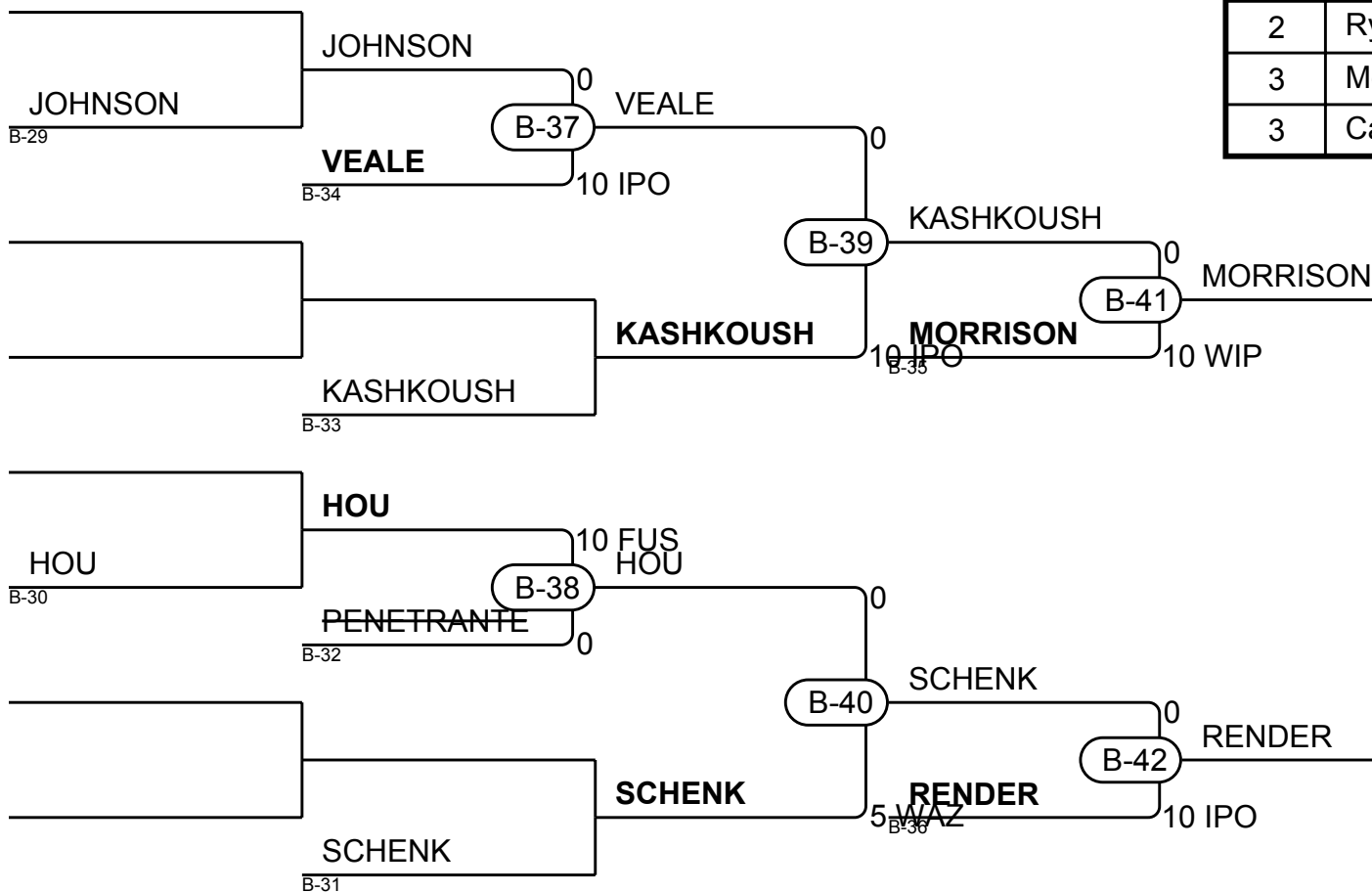
PAC Intl Mar 17/19 Rmd Olympic Oval U16 Women -52kg

Competitors: 10



Results

Pos	Name
1	Hailey KO, Burnaby
2	Rylie CALDWELL, Lethbridge
3	Mckinna MORRISON, Ishi Yam
3	Callie RENDER, Lethbridge



PAC Intl Mar 17/19 Rmd Olympic Oval U16 Women -57kg

Competitors: 5

Competitors

#	Name	Grade	Club	1	2	3	4	5	Wins	Pts	Pos
1	Zoe LEE (57,00)	3 Kyu	Burnaby	XX	10	10	10	10	4	40	1
2	Brooklyn BLOCH HANSEN (57,00)	2 Kyu	Lloydminster		XX				0	0	5
3	Suneha KUMAR (57,00)	3 Kyu	North Sound Judo Club		10	XX		10	2	20	3
4	Molly GIRVIN (57,00)	3 Kyu	Campbell River		10	10	XX	10	3	30	2
5	Minami SAKAMOTO (57,00)	4 Kyu	Police Judo Junior		10			XX	1	10	3

Matches

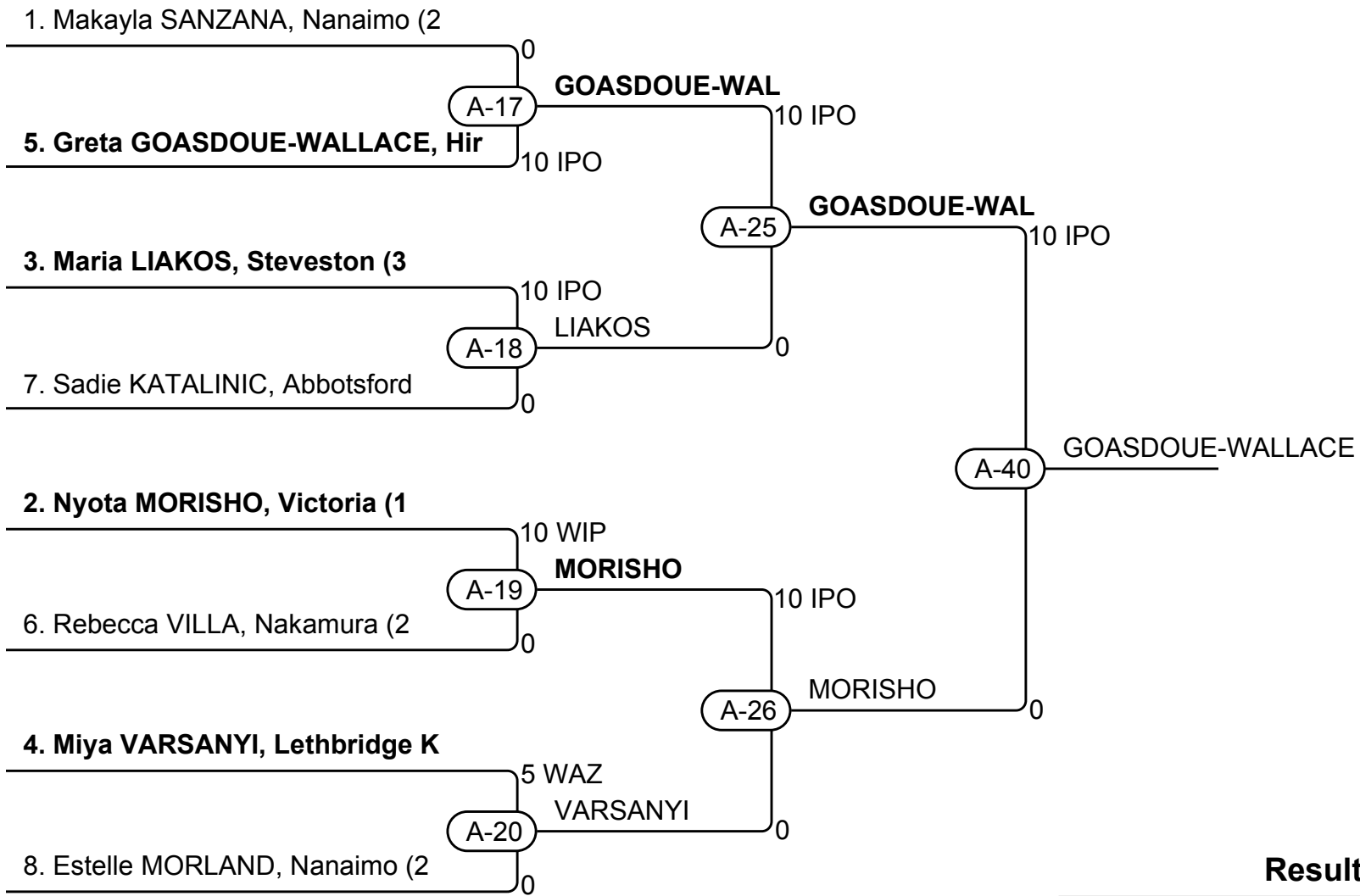
Match	White			Blue	Result	Time	Code
C-13	Molly GIRVIN	4	5	Minami SAKAMOTO	10 - 0	0:31	IPO
C-14	Zoe LEE	1	2	Brooklyn BLOCH-HANSEN	10 - 0	1:09	IPO
C-21	Suneha KUMAR	3	4	Molly GIRVIN	0 - 10	1:46	WIP
C-22	Zoe LEE	1	5	Minami SAKAMOTO	10 - 0	0:22	IPO
C-25	Brooklyn BLOCH-HANSEN	2	3	Suneha KUMAR	0 - 10	1:01	DHM
C-26	Zoe LEE	1	4	Molly GIRVIN	10 - 0	0:25	WIP
C-37	Suneha KUMAR	3	5	Minami SAKAMOTO	10 - 0	0:33	WIP
C-38	Brooklyn BLOCH-HANSEN	2	4	Molly GIRVIN	0 - 10	0:00	FUS
C-47	Zoe LEE	1	3	Suneha KUMAR	10 - 0	0:24	IPO
C-48	Brooklyn BLOCH-HANSEN	2	5	Minami SAKAMOTO	0 - 10	0:00	FUS

Results

Pos	Name
1	Zoe LEE, Burnaby
2	Molly GIRVIN, Campbell River
3	Suneha KUMAR, North Sound Judo Club
3	Minami SAKAMOTO, Police Judo Junior

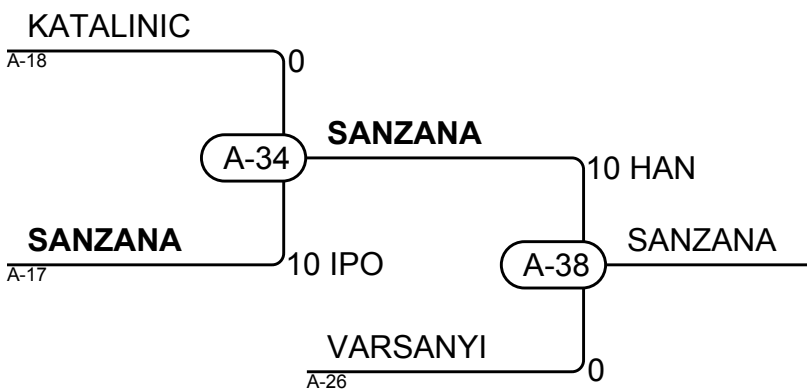
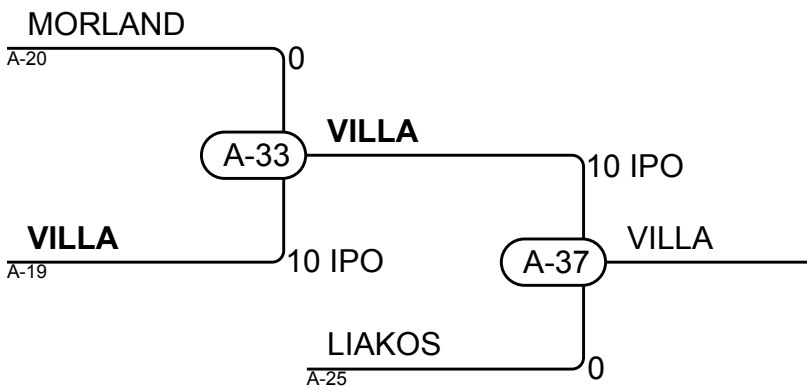
PAC Intl Mar 17/19 Rmd Olympic Oval U16 Women -63kg

Competitors: 8



Results

Pos	Name
1	Greta GOASDOUE-WALLACE, Hi
2	Nyota MORISHO, Victoria
3	Rebecca VILLA, Nakamura
3	Makayla SANZANA, Nanaimo



PAC Intl Mar 17/19 Rmd Olympic Oval U16 Women -70kg

Competitors: 2

Competitors

#	Name	Grade	Club	1	2	1	2	1	2	Wins	Pts	Pos
1	Jade LOWENSTEIN (70,00)	3 Kyu	Penticton	XX	10	XX	10	XX		2	20	1
2	Teigan BIXBY (63,60)	4 Kyu	Vernon		XX		XX		XX	0	0	2

Matches

Match	White			Blue	Result	Time	Code
D-33	Jade LOWENSTEIN	1	2	Teigan BIXBY	10 - 0	2:50	IPO
D-42	Teigan BIXBY	2	1	Jade LOWENSTEIN	0 - 10	0:56	WIP
D-52	Jade LOWENSTEIN	1	2	Teigan BIXBY			

Results

Pos	Name
1	Jade LOWENSTEIN, Penticton

PAC Intl Mar 17/19 Rmd Olympic Oval U16 Men -38kg

Competitors: 4

Competitors

#	Name	Grade	Club	1	2	3	4	Wins	Pts	Pos
1	Linus FRIZELL (38,00)	3 Kyu	Hart	XX	10			1	10	3
2	Jaimie WONG (38,00)	3 Kyu	Nakashima		XX		10	1	10	3
3	Hugo BROWN (38,00)	2 Kyu	Hiro's	10	5	XX		2	15	2
4	Zackery JOE (38,00)	3 Kyu	Burnaby	10		5	XX	2	15	1

Matches

Match	White			Blue	Result	Time	Code
C-31	Linus FRIZELL	1	2	Jaimie WONG	10 - 0	0:49	IPO
C-32	Hugo BROWN	3	4	Zackery JOE	0 - 5	0:00	WAZ
C-41	Linus FRIZELL	1	3	Hugo BROWN	0 - 10	0:13	IPO
C-42	Jaimie WONG	2	4	Zackery JOE	10 - 0	2:43	IPO
C-53	Linus FRIZELL	1	4	Zackery JOE	0 - 10	0:56	IPO
C-54	Jaimie WONG	2	3	Hugo BROWN	0 - 5	0:00	WAZ

Results

Pos	Name
1	Zackery JOE, Burnaby
2	Hugo BROWN, Hiro's
3	Linus FRIZELL, Hart
3	Jaimie WONG, Nakashima

PAC Intl Mar 17/19 Rmd Olympic Oval U16 Men -42kg

Competitors: 6

Competitors A

#	Name	Grade	Club	1	2	3	Wins	Pts	Pos
1	Corbin HILMAN (42,00)	2 Kyu	Prince George	XX			0	0	3
2	Artem NEYOLOV (42,00)	3 Kyu	Taifu	10	XX		1	10	2
3	Tayven TREMBLAY (42,00)	2 Kyu	St. Albert Tokai	10	10	XX	2	20	1

Matches A

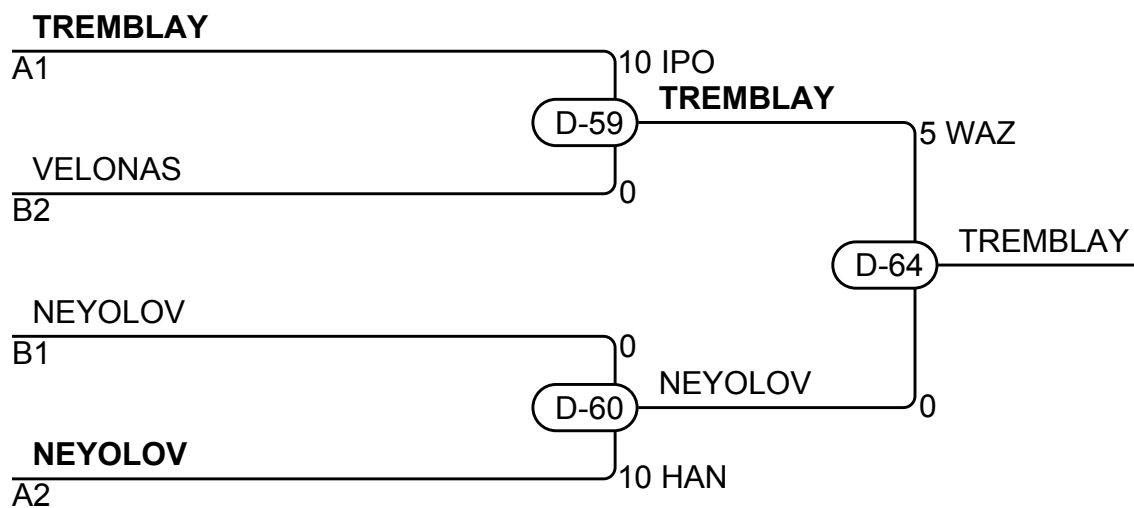
Match	White	Blue	Result	Time	Code
D-31	Corbin HILMAN 1 2	Artem NEYOLOV	0 - 10	1:04	IPO
D-40	Corbin HILMAN 1 3	Tayven TREMBLAY	0 - 10	0:52	IPO
D-50	Artem NEYOLOV 2 3	Tayven TREMBLAY	0 - 10	2:16	IPO

Competitors B

#	Name	Grade	Club	4	5	6	Wins	Pts	Pos
4	Flynn SMITH (42,00)	3 Kyu	Mile Zero	XX			0	0	3
5	Denis NEYOLOV (42,00)	3 Kyu	Taifu	10	XX	10	2	20	1
6	Peter VELONAS (42,00)	3 Kyu	Arashi	10		XX	1	10	2

Matches B

Match	White	Blue	Result	Time	Code
D-32	Flynn SMITH 4 5	Denis NEYOLOV	0 - 10	2:04	WIP
D-41	Flynn SMITH 4 6	Peter VELONAS	0 - 10	0:21	IPO
D-51	Denis NEYOLOV 5 6	Peter VELONAS	10 - 0	0:30	IPO



Results

Pos	Name
1	Tayven TREMBLAY, St. Albert Tokai
2	Artem NEYOLOV, Taifu
3	Peter VELONAS, Arashi
3	Denis NEYOLOV, Taifu

PAC Intl Mar 17/19 Rmd Olympic Oval U16 Men -46kg

Competitors: 5

Competitors

#	Name	Grade	Club	1	2	3	4	5	Wins	Pts	Pos
1	Troy GALLANT (46,00)	2 Kyu	Lethbridge Kyodokan	XX	10			10	2	20	3
2	Carter HARRIS (46,00)	3 Kyu	Abbotsford		XX			10	1	10	3
3	Keenan HANEARIN-BALCZER (46,00)	2 Kyu	Hiro's	10	10	XX		10	3	30	2
4	Graeme HANKS (46,00)	2 Kyu	Aberdeen	10	5	10	XX	10	4	35	1
5	Theodore MANEV (46,00)	3 Kyu	Burnaby					XX	0	0	5

Matches

Match	White	Blue	Result	Time	Code
C-57	Graeme HANKS	4 5 Theodore MANEV	10 - 0	0:44	IPO
C-58	Troy GALLANT	1 2 Carter HARRIS	10 - 0	1:07	GSI
C-59	Keenan HANEARIN-BALCZER	3 4 Graeme HANKS	0 - 10	2:15	IPO
C-60	Troy GALLANT	1 5 Theodore MANEV	10 - 0	2:44	IPO
C-61	Carter HARRIS	2 3 Keenan HANEARIN-BALCZER	0 - 10	1:15	IPO
C-62	Troy GALLANT	1 4 Graeme HANKS	0 - 10	0:47	WIP
C-63	Keenan HANEARIN-BALCZER	3 5 Theodore MANEV	10 - 0	0:29	IPO
C-64	Carter HARRIS	2 4 Graeme HANKS	0 - 5	0:00	GSW
C-65	Troy GALLANT	1 3 Keenan HANEARIN-BALCZER	0 - 10	0:42	IPO
C-66	Carter HARRIS	2 5 Theodore MANEV	10 - 0	1:24	IPO

Results

Pos	Name
1	Graeme HANKS, Aberdeen
2	Keenan HANEARIN-BALCZER, Hiro's
3	Troy GALLANT, Lethbridge Kyodokan
3	Carter HARRIS, Abbotsford

PAC Intl Mar 17/19 Rmd Olympic Oval U16 Men -46kg tie breaker

Competitors: 3

Competitors

#	Name	Grade	Club	1	2	3	Wins	Pts	Pos
1	Troy GALLANT (46,00)	2 Kyu	Lethbridge Kyodokan	XX		10	1	10	2
2	Keenan HANEARIN-BALCZER (4	2 Kyu	Hiro's	10	XX	10	2	20	1
3	Carter HARRIS (46,00)	3 Kyu	Abbotsford			XX	0	0	3

Matches

Match	White			Blue	Result	Time	Code
C-43A	Troy GALLANT	1	2	Keenan HANEARIN-BALCZER	0 - 10	2:58	IPO
C-45	Troy GALLANT	1	3	Carter HARRIS	10 - 0	1:14	IPO
C-49	Keenan HANEARIN-BALCZER	2	3	Carter HARRIS	10 - 0	1:44	IPO

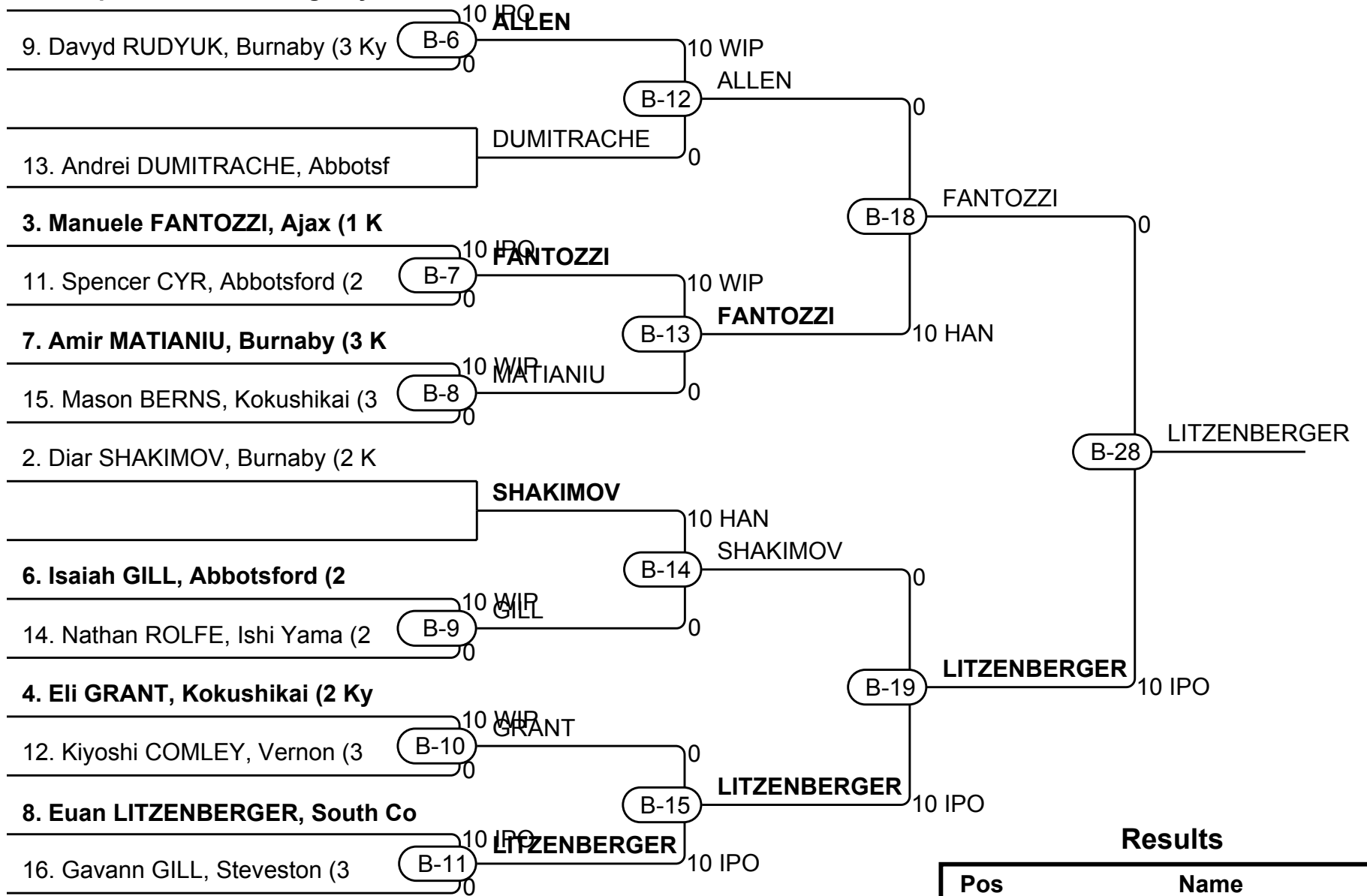
Results

Pos	Name
1	Keenan HANEARIN-BALCZER, Hiro's
2	Troy GALLANT, Lethbridge Kyodokan

PAC Intl Mar 17/19 Rmd Olympic Oval U16 Men -50kg

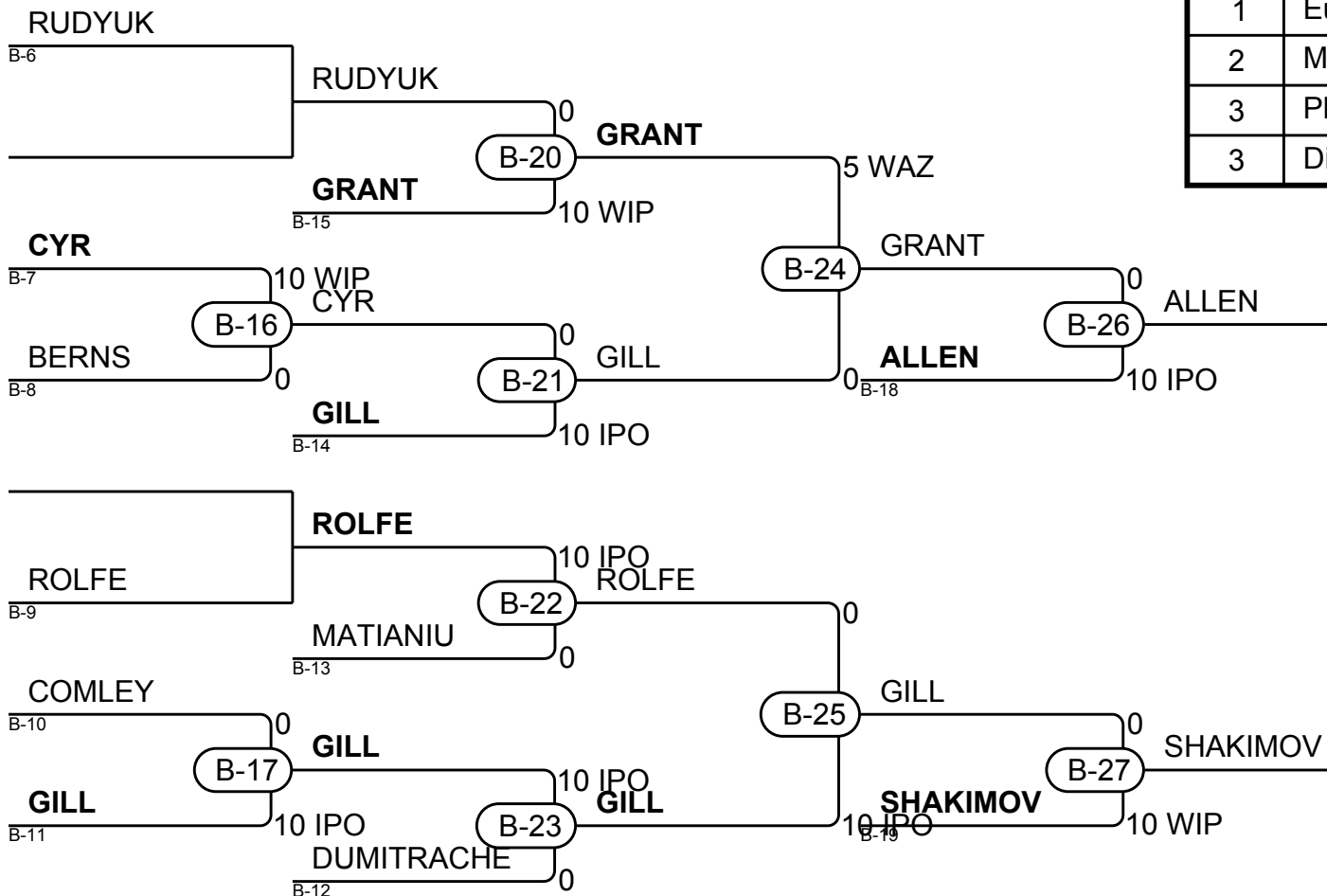
Competitors: 14

1. Philip ALLEN, Lethbridge Ky



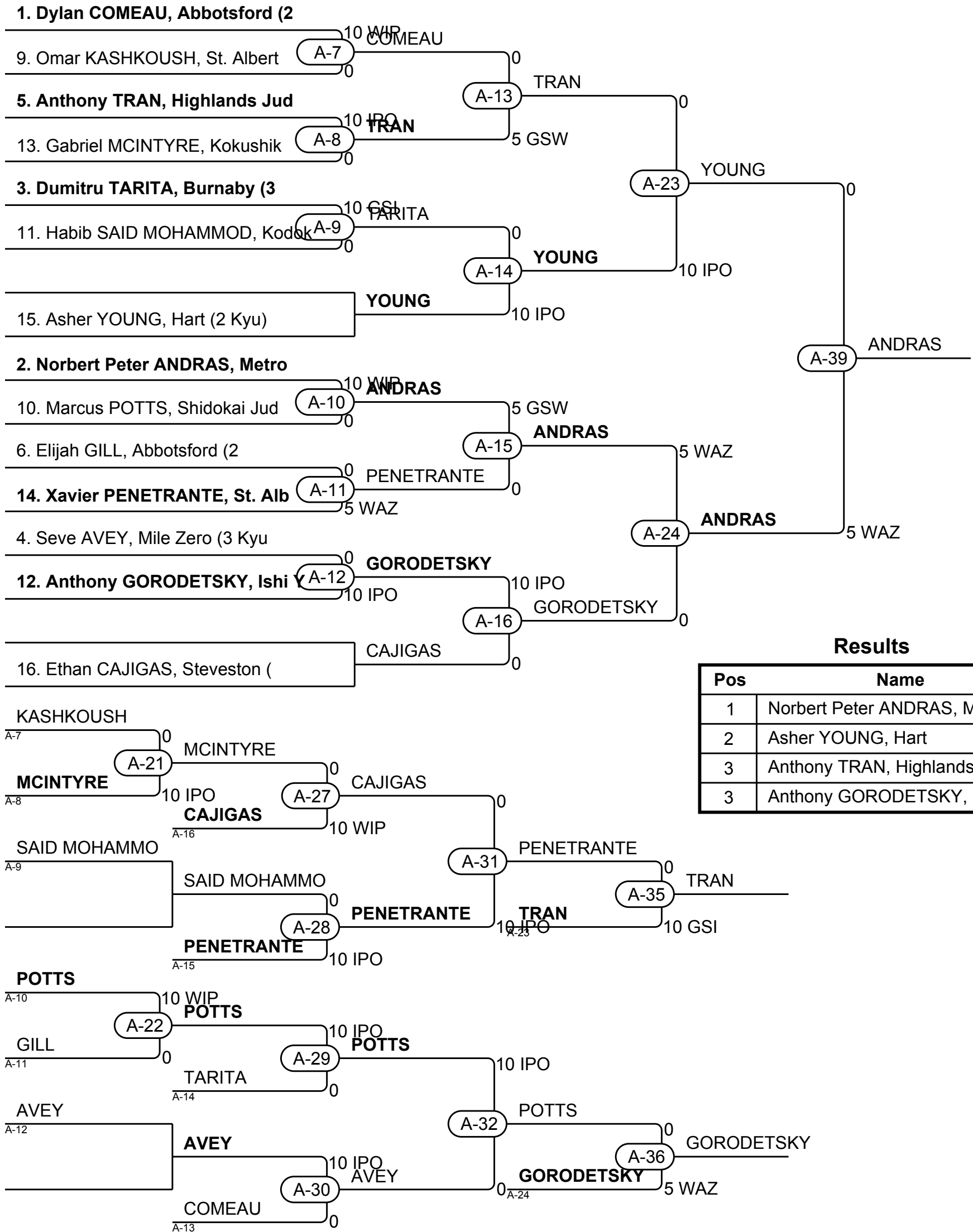
Results

Pos	Name
1	Euan LITZENBERGER, South C
2	Manuele FANTOZZI, Ajax
3	Philip ALLEN, Lethbridge K
3	Diar SHAKIMOV, Burnaby



PAC Intl Mar 17/19 Rmd Olympic Oval U16 Men -55kg

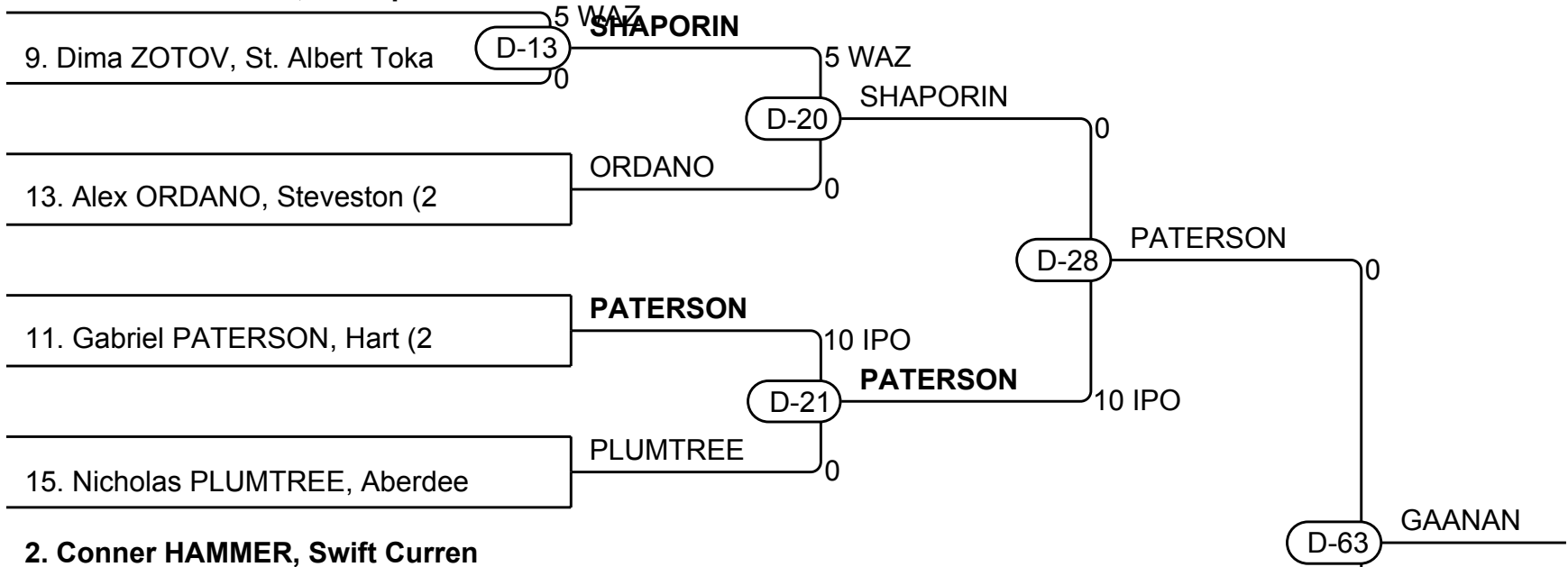
Competitors: 14



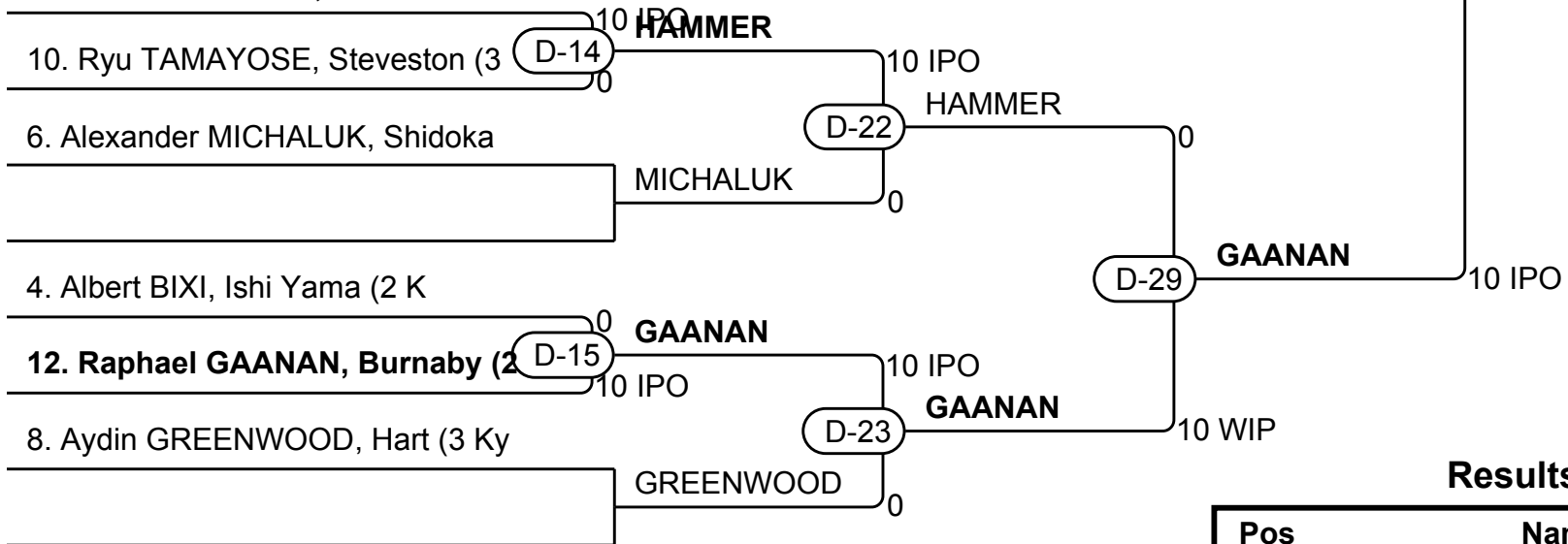
PAC Intl Mar 17/19 Rmd Olympic Oval U16 Men -60kg

Competitors: 11

1. Artem SHAPORIN, Metropolita

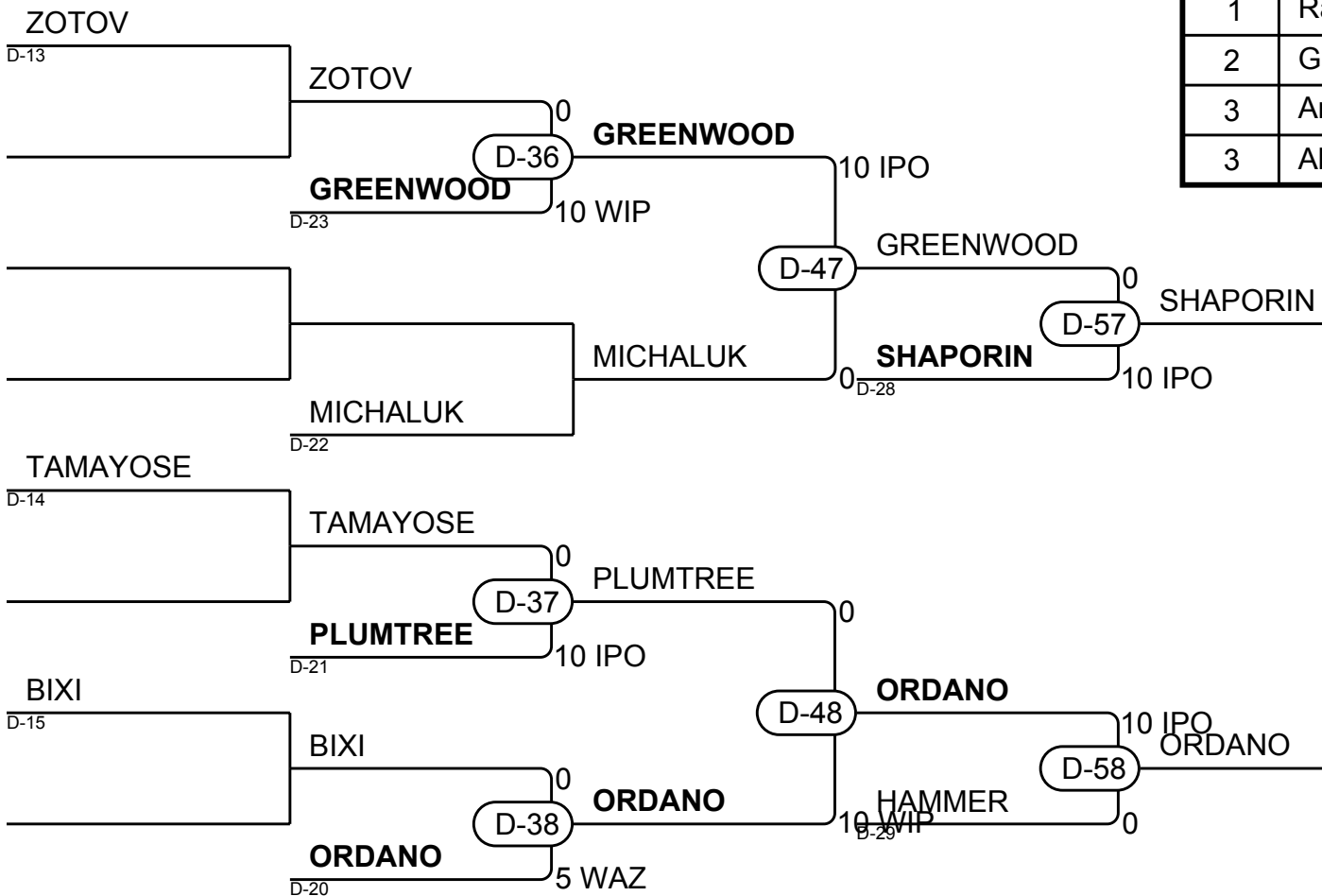


2. Conner HAMMER, Swift Curren



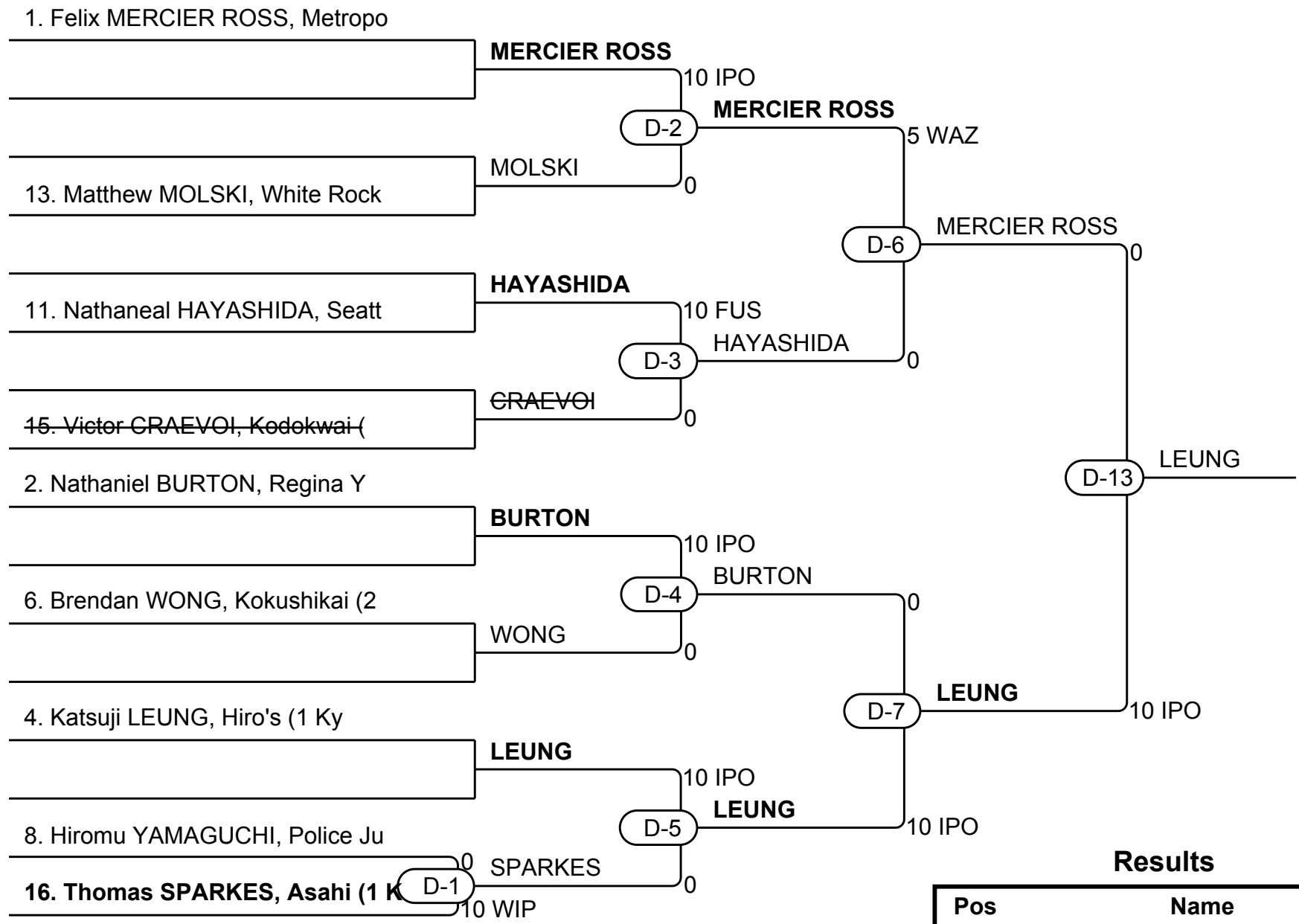
Results

Pos	Name
1	Raphael GAANAN, Burnaby
2	Gabriel PATERSON, Hart
3	Artem SHAPORIN, Metropolita
3	Alex ORDANO, Steveston



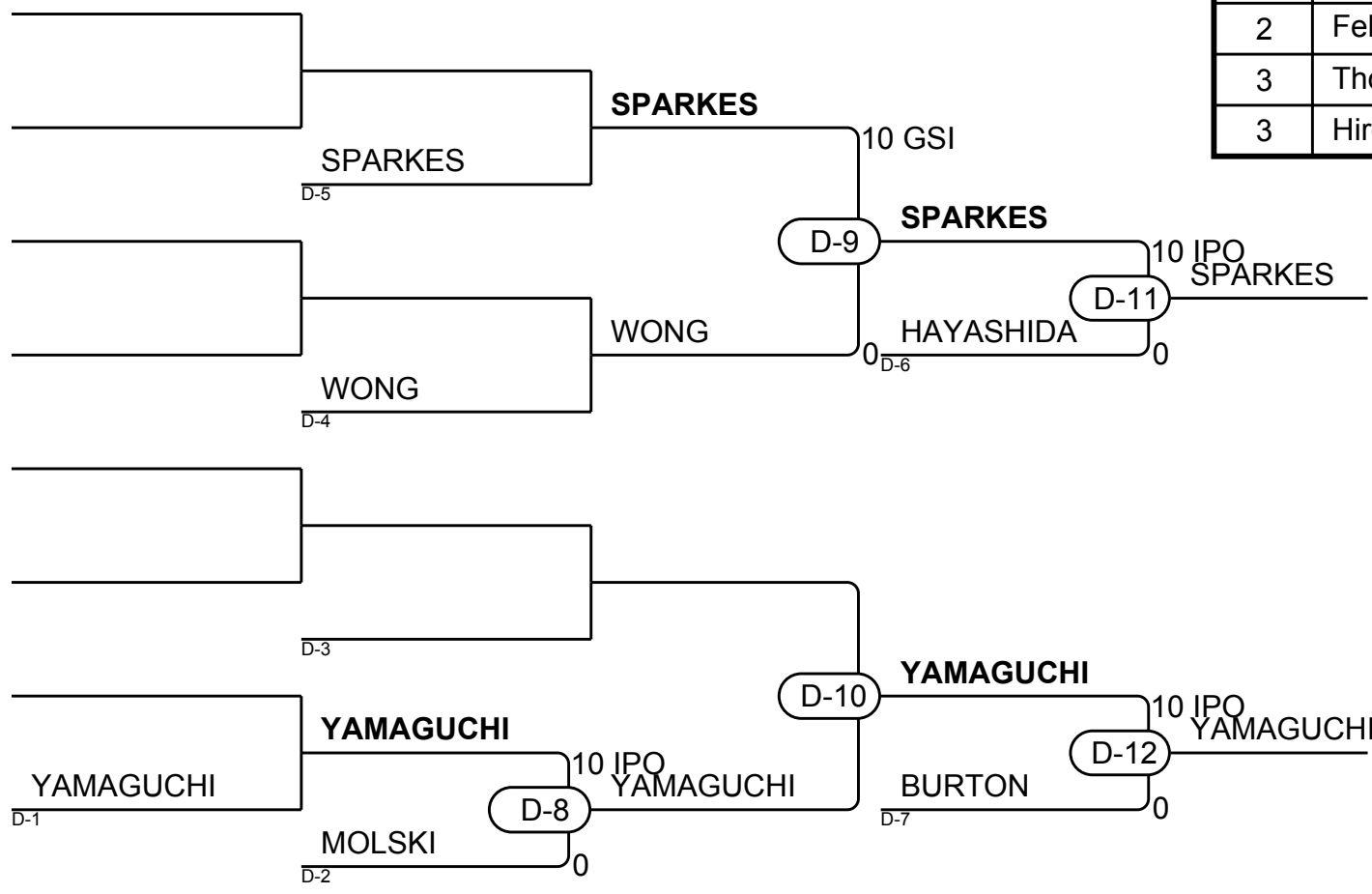
PAC Intl Mar 17/19 Rmd Olympic Oval U16 Men -66kg

Competitors: 9



Results

Pos	Name
1	Katsuji LEUNG, Hiro's
2	Felix MERCIER ROSS, Metrop
3	Thomas SPARKES, Asahi
3	Hiromu YAMAGUCHI, Police J



PAC Intl Mar 17/19 Rmd Olympic Oval U16 Men -73kg

Competitors: 4

Competitors

#	Name	Grade	Club	1	2	3	4	Wins	Pts	Pos
1	Andrew MICU (73,00)	1 Kyu	Hiro's	XX	5	10	10	3	25	1
2	Carter ALTHOUSE (73,00)	2 Kyu	Lethbridge Kyodokan		XX			0	0	3
3	Carson FURNEAUX (73,00)	2 Kyu	Budo Judo Club		10	XX		1	10	3
4	Yuriy SEMENYUK (73,00)	1 Kyu	Metropolitain		5	10	XX	2	15	2

Matches

Match	White			Blue	Result	Time	Code
C-49	Andrew MICU	1	2	Carter ALTHOUSE	5 - 0	0:00	WAZ
C-50	Carson FURNEAUX	3	4	Yuriy SEMENYUK	0 - 10	1:28	IPO
C-51	Andrew MICU	1	3	Carson FURNEAUX	10 - 0	1:13	IPO
C-52	Carter ALTHOUSE	2	4	Yuriy SEMENYUK	0 - 5	0:00	WAZ
C-53	Andrew MICU	1	4	Yuriy SEMENYUK	10 - 0	3:00	IPO
C-54	Carter ALTHOUSE	2	3	Carson FURNEAUX	0 - 10	0:13	IPO

Results

Pos	Name
1	Andrew MICU, Hiro's
2	Yuriy SEMENYUK, Metropolitain
3	Carson FURNEAUX, Budo Judo Club

PAC Intl Mar 17/19 Rmd Olympic Oval U16 Men +73kg

Competitors: 4

Competitors

#	Name	Grade	Club	1	2	3	4	Wins	Pts	Pos
1	Shion CROOK (73,00)	1 Kyu	Hiro's	XX	5	10	5	3	20	1
2	Pierce BISHOP (73,00)	2 Kyu	St. Albert Tokai		XX	10		1	10	3
3	Pierce JING (73,00)	2 Kyu	Steveston			XX		0	0	3
4	Nikola PETROVIC (73,00)	2 Kyu	Burnaby		10	10	XX	2	20	2

Matches

Match	White			Blue	Result	Time	Code
C-35	Shion CROOK	1	2	Pierce BISHOP	5 - 0	2:06	WAZ
C-36	Pierce JING	3	4	Nikola PETROVIC	0 - 10	0:23	IPO
C-45	Shion CROOK	1	3	Pierce JING	10 - 0	0:09	IPO
C-46	Pierce BISHOP	2	4	Nikola PETROVIC	0 - 10	1:30	IPO
C-57	Shion CROOK	1	4	Nikola PETROVIC	5 - 0	0:00	WAZ
C-58	Pierce BISHOP	2	3	Pierce JING	10 - 0	0:32	IPO

Results

Pos	Name
1	Shion CROOK, Hiro's
2	Nikola PETROVIC, Burnaby
3	Pierce BISHOP, St. Albert Tokai

PAC Intl Mar 17/19 Rmd Olympic Oval Senior Women-48kg

Competitors: 5

Competitors

#	Name	Grade	Club	1	2	3	4	5	Wins	Pts	Pos
1	Rakiiia LOLIEVA (48,00)	1 Kyu	Burnaby	XX		10	10	5	3	25	2
2	Léa ROY (48,00)	shodan	d'Asbestos-Dandeville	10	XX	10	10	10	4	40	1
3	Kimiko KAMSTRA (48,00)	1 Kyu	Hart			XX	10		1	10	3
4	Brooke CORBETT (48,00)	2 Kyu	Hart				XX		0	0	5
5	Klavdia DANILKOV (48,00)	1 Kyu	Burnaby			10	10	XX	2	20	3

Matches

Match	White			Blue	Result	Time	Code
A-42	Brooke CORBETT	4	5	Klavdia DANILKOV	0 - 10	1:09	IPO
A-43	Rakiiia LOLIEVA	1	2	Léa ROY	0 - 10	3:26	IPO
A-48	Kimiko KAMSTRA	3	4	Brooke CORBETT	10 - 0	0:41	WIP
A-49	Rakiiia LOLIEVA	1	5	Klavdia DANILKOV	5 - 0	0:00	WAZ
A-52	Léa ROY	2	3	Kimiko KAMSTRA	10 - 0	0:00	IPO
A-53	Rakiiia LOLIEVA	1	4	Brooke CORBETT	10 - 0	1:33	IPO
A-65	Kimiko KAMSTRA	3	5	Klavdia DANILKOV	0 - 10	1:32	IPO
A-66	Léa ROY	2	4	Brooke CORBETT	10 - 0	0:00	IPO
A-77	Rakiiia LOLIEVA	1	3	Kimiko KAMSTRA	10 - 0	1:26	WIP
A-78	Léa ROY	2	5	Klavdia DANILKOV	10 - 0	0:00	WIP

Results

Pos	Name
1	Léa ROY, d'Asbestos-Dandeville
2	Rakiiia LOLIEVA, Burnaby
3	Klavdia DANILKOV, Burnaby
3	Kimiko KAMSTRA, Hart

PAC Intl Mar 17/19 Rmd Olympic Oval Senior Women-52kg

Competitors: 7

Competitors A

#	Name	Grade	Club	1	2	3	4	Wins	Pts	Pos
1	Ashley FRANCKE (52,00)	1 Kyu	Police	XX	10		10	2	20	2
2	Isabella GREENE (52,00)	2 Kyu	Nanaimo		XX		10	1	10	3
3	Lorena KAEGI (52,00)	nidan	Keisatsu Winnipeg	10	10	XX	10	3	30	1
4	Kondelia KARAS (52,00)	2 Kyu	Kodokwai				XX	0	0	4

Matches A

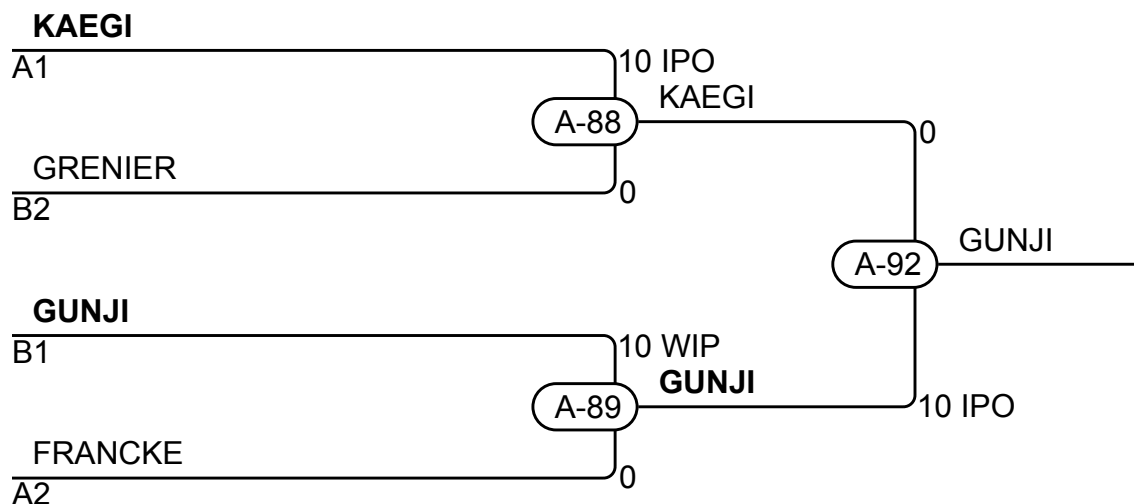
Match	White	Blue	Result	Time	Code
A-54	Ashley FRANCKE 1 2	Isabella GREENE	10 - 0	0:48	IPO
A-55	Lorena KAEGI 3 4	Kondelia KARAS	10 - 0	0:00	FUS
A-67	Ashley FRANCKE 1 3	Lorena KAEGI	0 - 10	1:57	IPO
A-68	Isabella GREENE 2 4	Kondelia KARAS	10 - 0	0:00	FUS
A-79	Ashley FRANCKE 1 4	Kondelia KARAS	10 - 0	0:00	FUS
A-80	Isabella GREENE 2 3	Lorena KAEGI	0 - 10	0:24	IPO

Competitors B

#	Name	Grade	Club	5	6	7	Wins	Pts	Pos
5	Fuka GUNJI (52,00)	nidan	All Japan Univ.	XX	10	10	2	20	1
6	Amélie GRENIER (52,00)	1 Kyu	Shin Kan Laterri		XX	10	1	10	2
7	Launa HINTON (52,00)	shodan	Abbotsford			XX	0	0	3

Matches B

Match	White	Blue	Result	Time	Code
A-56	Fuka GUNJI 5 6	Amélie GRENIER	10 - 0	2:18	WIP
A-69	Fuka GUNJI 5 7	Launa HINTON	10 - 0	1:14	WIP
A-81	Amélie GRENIER 6 7	Launa HINTON	10 - 0	2:11	IPO



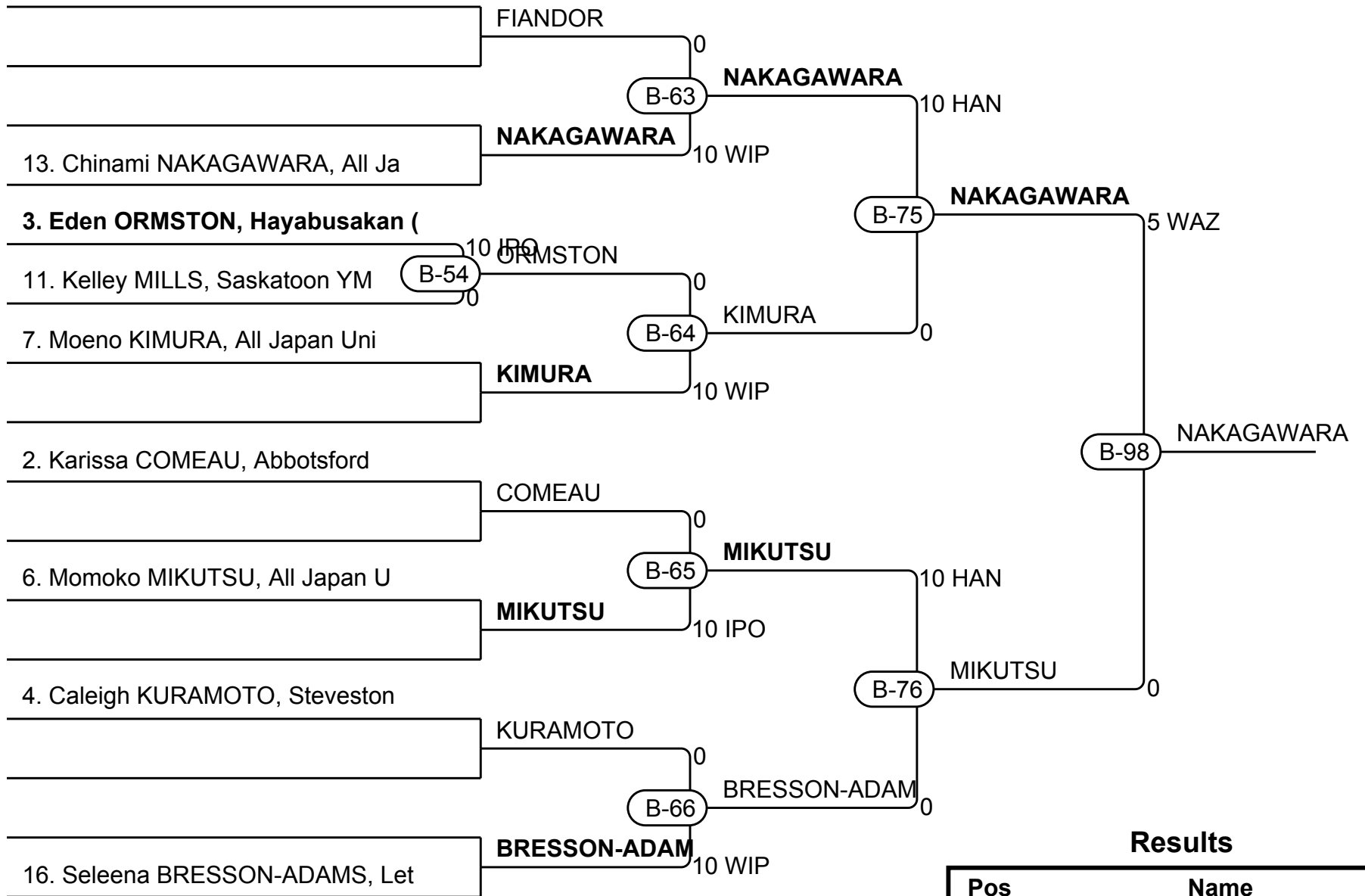
Results

Pos	Name
1	Fuka GUNJI, All Japan Univ.
2	Lorena KAEGI, Keisatsu Winnipeg
3	Amélie GRENIER, Shin Kan Laterri
3	Ashley FRANCKE, Police

PAC Intl Mar 17/19 Rmd Olympic Oval Senior Women-57kg

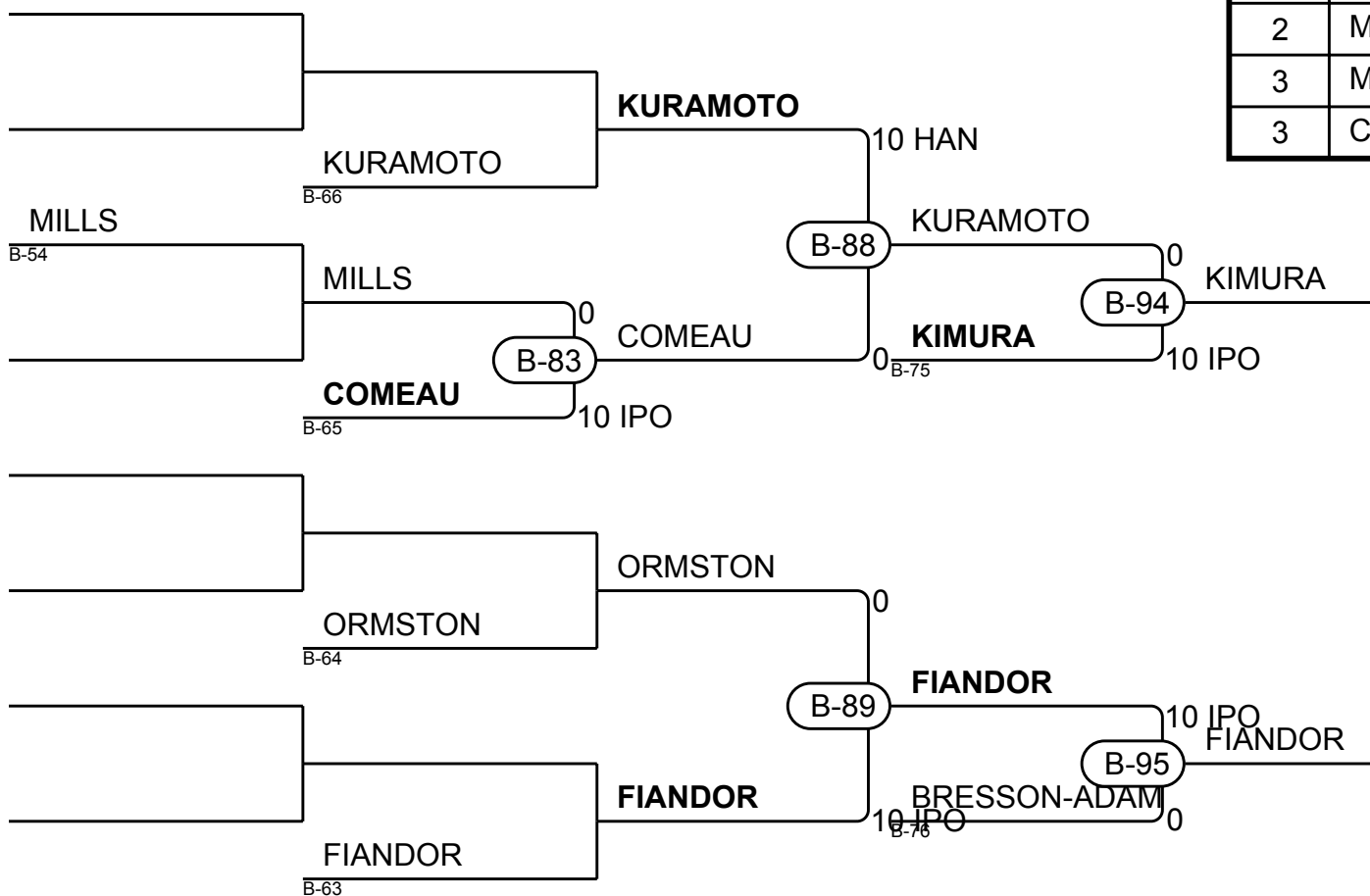
Competitors: 9

1. Cheyenne FIANDOR, Nanaimo (



Results

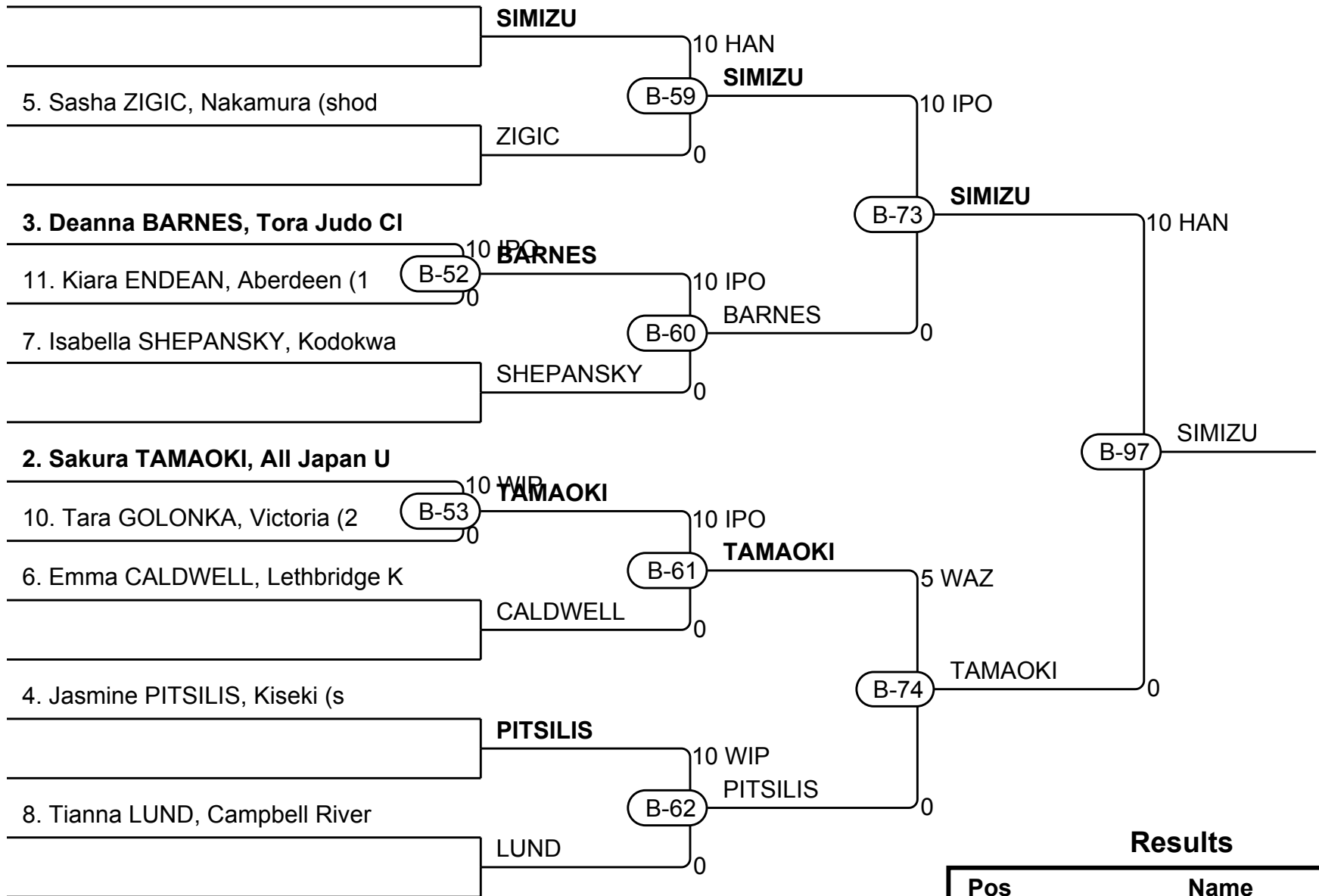
Pos	Name
1	Chinami NAKAGAWARA, All Ja
2	Momoko MIKUTSU, All Japan
3	Moeno KIMURA, All Japan Un
3	Cheyenne FIANDOR, Nanaimo



PAC Intl Mar 17/19 Rmd Olympic Oval Senior Women-63kg

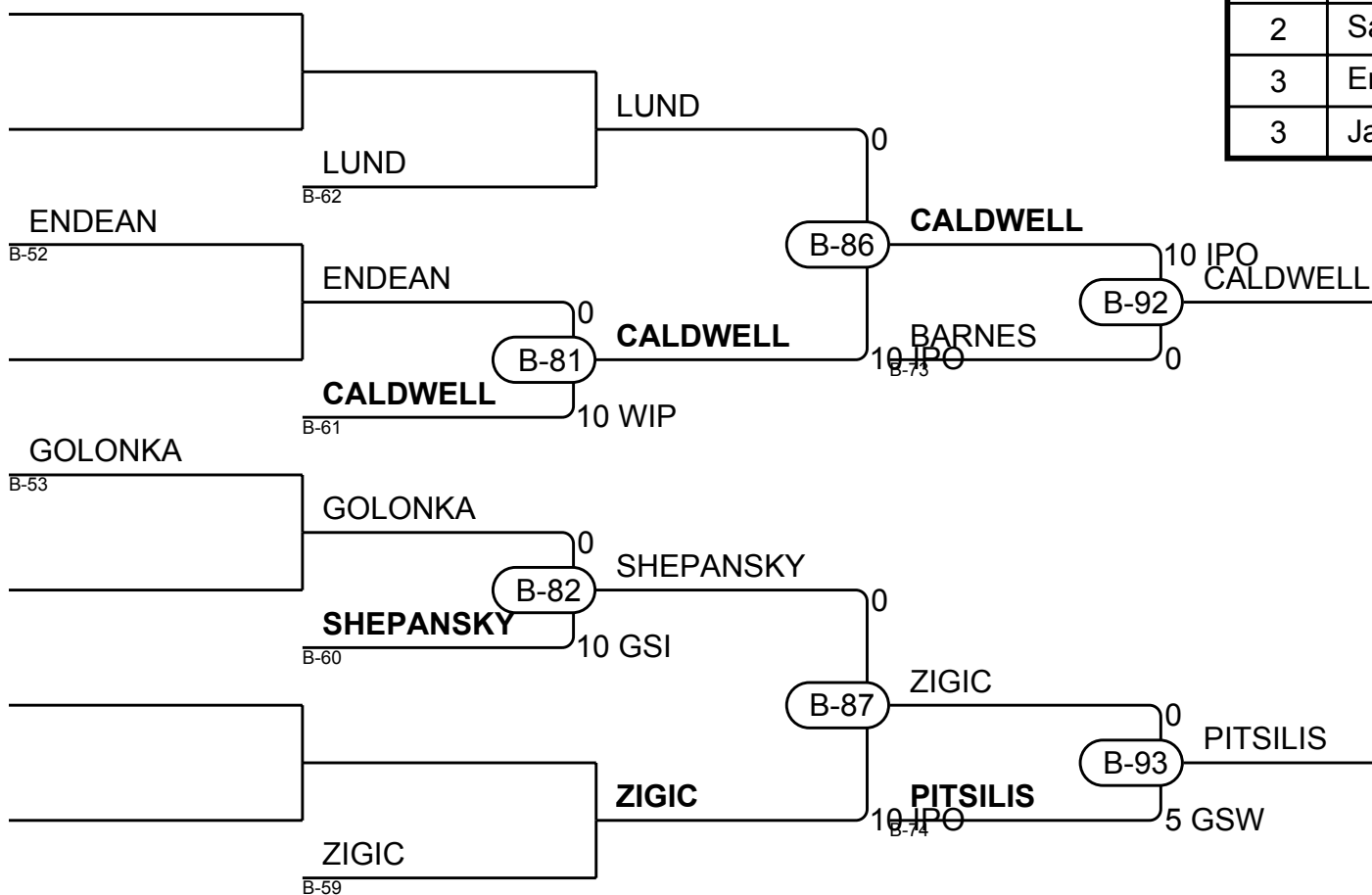
Competitors: 10

1. Ayano SIMIZU, All Japan Uni



Results

Pos	Name
1	Ayano SIMIZU, All Japan Un
2	Sakura TAMAOKI, All Japan
3	Emma CALDWELL, Lethbridge
3	Jasmine PITSILIS, Kiseki



PAC Intl Mar 17/19 Rmd Olympic Oval Senior Women-70kg

Competitors: 4

Competitors

#	Name	Grade	Club	1	2	3	4	Wins	Pts	Pos
1	Bailey DOERFLER (70,00)	1 Kyu	York	XX				0	0	3
2	Yana JACOBS (70,00)	2 Kyu	Campbell River	10	XX			1	10	3
3	Meghan JAMIESON (70,00)	nidan	Steveston	10	10	XX		2	20	2
4	Marina YASUTAKE (70,00)	sandan	All Japan Univ.	10	10	10	XX	3	30	1

Matches

Match	White			Blue	Result	Time	Code
A-50	Bailey DOERFLER	1	2	Yana JACOBS	0 - 10	1:24	WIP
A-51	Meghan JAMIESON	3	4	Marina YASUTAKE	0 - 10	2:07	IPO
A-63	Bailey DOERFLER	1	3	Meghan JAMIESON	0 - 10	1:09	IPO
A-64	Yana JACOBS	2	4	Marina YASUTAKE	0 - 10	0:56	IPO
A-75	Bailey DOERFLER	1	4	Marina YASUTAKE	0 - 10	0:25	IPO
A-76	Yana JACOBS	2	3	Meghan JAMIESON	0 - 10	0:50	IPO

Results

Pos	Name
1	Marina YASUTAKE, All Japan Univ.
2	Meghan JAMIESON, Steveston
3	Yana JACOBS, Campbell River

PAC Intl Mar 17/19 Rmd Olympic Oval Senior Women-78kg

Competitors: 2

Competitors

#	Name	Grade	Club	1	2	1	2	1	2	Wins	Pts	Pos
1	Kaho TAROMARU (78,00)	nidan	All Japan Univ.	XX	10	XX		XX	10	2	20	1
2	Risa TAUCHI (78,00)	nidan	All Japan Univ.		XX	10	XX		XX	1	10	2

Matches

Match	White			Blue	Result	Time	Code
A-61	Kaho TAROMARU	1	2	Risa TAUCHI	10 - 0	3:10	HAN
A-73	Risa TAUCHI	2	1	Kaho TAROMARU	10 - 0	2:50	IPO
A-86	Kaho TAROMARU	1	2	Risa TAUCHI	10 - 0	0:56	HAN

Results

Pos	Name
1	Kaho TAROMARU, All Japan Univ.
2	Risa TAUCHI, All Japan Univ.

PAC Intl Mar 17/19 Rmd Olympic Oval Senior Women+78kg

Competitors: 4

Competitors

#	Name	Grade	Club	1	2	3	4	Wins	Pts	Pos
1	Samantha ULRICH (78,00)	1 Kyu	West Kildonan	XX				0	0	3
2	Anna ATKINSON (78,00)	nidan	Zenyu	10	XX		10	2	20	2
3	Megan HANKS (78,00)	nidan	Aberdeen	10	10	XX	10	3	30	1
4	Janessa KEAYS (78,00)	2 Kyu	Kenshukan	10			XX	1	10	3

Matches

Match	White			Blue	Result	Time	Code
A-57	Samantha ULRICH	1	2	Anna ATKINSON	0 - 10	1:24	KIK
A-58	Megan HANKS	3	4	Janessa KEAYS	10 - 0	0:08	IPO
A-70	Samantha ULRICH	1	3	Megan HANKS	0 - 10	0:00	FUS
A-71	Anna ATKINSON	2	4	Janessa KEAYS	10 - 0	1:36	IPO
A-82	Samantha ULRICH	1	4	Janessa KEAYS	0 - 10	0:00	FUS
A-83	Anna ATKINSON	2	3	Megan HANKS	0 - 10	0:59	IPO

Results

Pos	Name
1	Megan HANKS, Aberdeen
2	Anna ATKINSON, Zenyu
3	Janessa KEAYS, Kenshukan

PAC Intl Mar 17/19 Rmd Olympic Oval Senior Men-100kg

Competitors: 3

Competitors

#	Name	Grade	Club	1	2	3	Wins	Pts	Pos
1	Abdumadzhit SMAZOV (92,30)	shodan	Rockman	XX		10	1	10	2
2	Ian RYDER (100,00)	shodan	Steveston	10	XX	10	2	20	1
3	Adrian VAN ERP (100,00)	1 Kyu	Victoria			XX	0	0	3

Matches

Match	White			Blue	Result	Time	Code
A-62	Abdumadzhit SMAZOV	1	2	Ian RYDER	0 - 10	2:21	IPO
A-74	Abdumadzhit SMAZOV	1	3	Adrian VAN ERP	10 - 0	1:13	IPO
A-87	Ian RYDER	2	3	Adrian VAN ERP	10 - 0	0:13	IPO

Results

Pos	Name
1	Ian RYDER, Steveston
2	Abdumadzhit SMAZOV, Rockman

PAC Intl Mar 17/19 Rmd Olympic Oval Int Men-60kg

Competitors: 3

Competitors

#	Name	Grade	Club	1	2	3	Wins	Pts	Pos
1	Chris MOGDAN (60,00)	2 Kyu	Hiro's	XX			0	0	3
2	Tymour ANAN (60,00)	2 Kyu	Hiro's	10	XX		1	10	2
3	Joshua KUYVENHOVEN (60,00)	2 Kyu	Victoria	10	10	XX	2	20	1

Matches

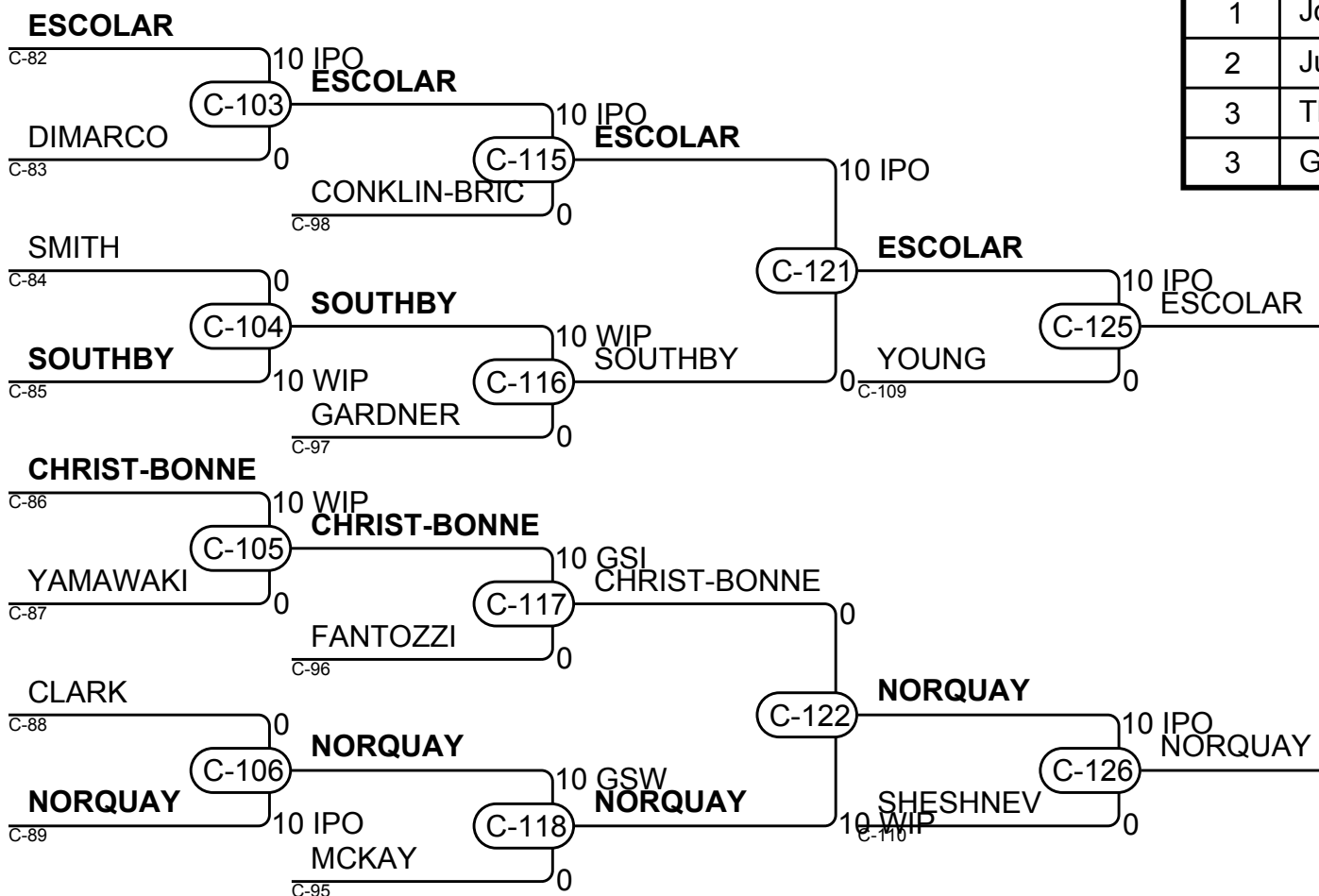
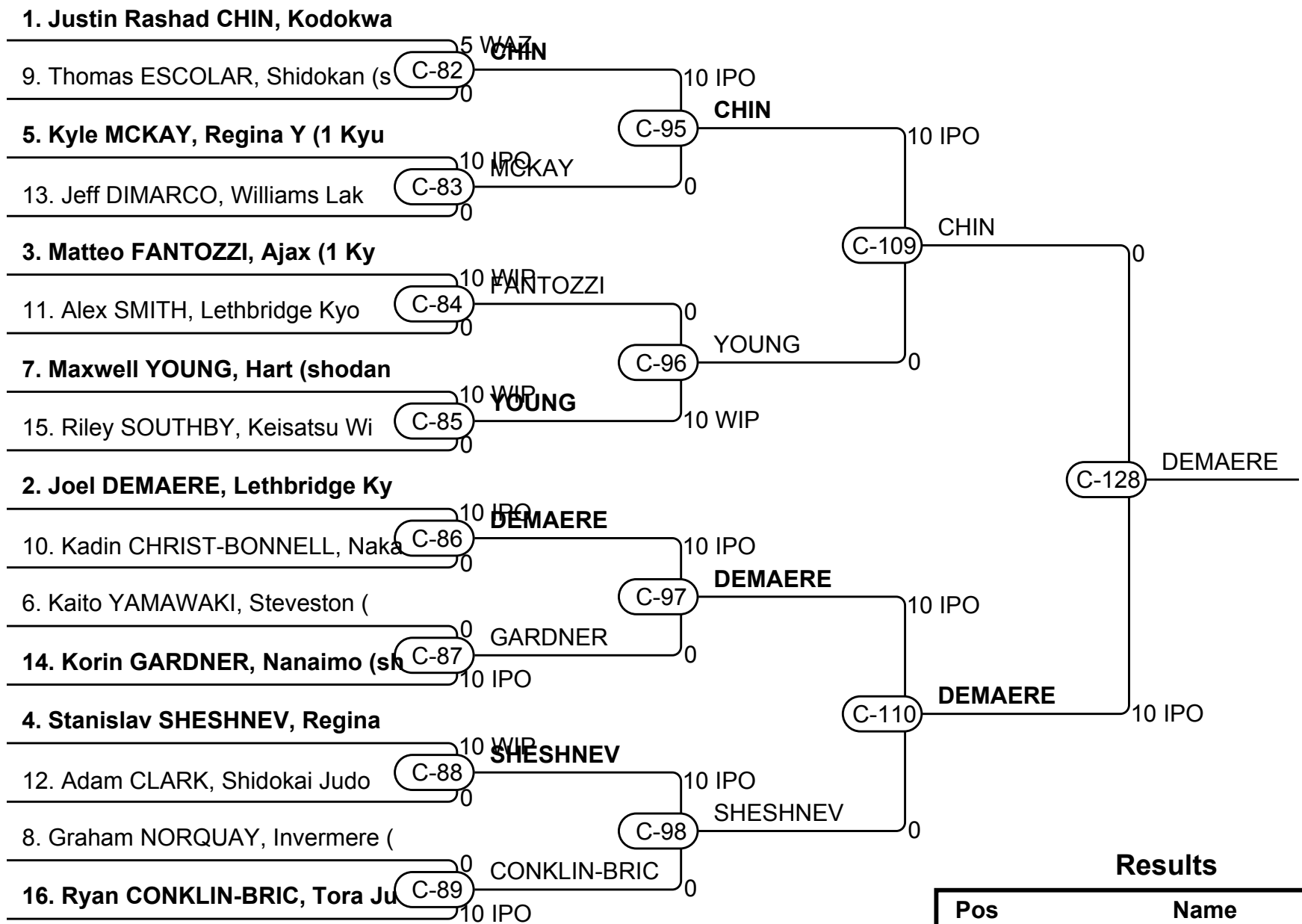
Match	White			Blue	Result	Time	Code
C-5	Chris MOGDAN	1	2	Tymour ANAN	0 - 10	0:33	WIP
C-8	Chris MOGDAN	1	3	Joshua KUYVENHOVEN	0 - 10	0:25	IPO
C-12	Tymour ANAN	2	3	Joshua KUYVENHOVEN	0 - 10	1:52	IPO

Results

Pos	Name
1	Joshua KUYVENHOVEN, Victoria
2	Tymour ANAN, Hiro's

PAC Intl Mar 17/19 Rmd Olympic Oval Senior Men-60kg

Competitors: 16

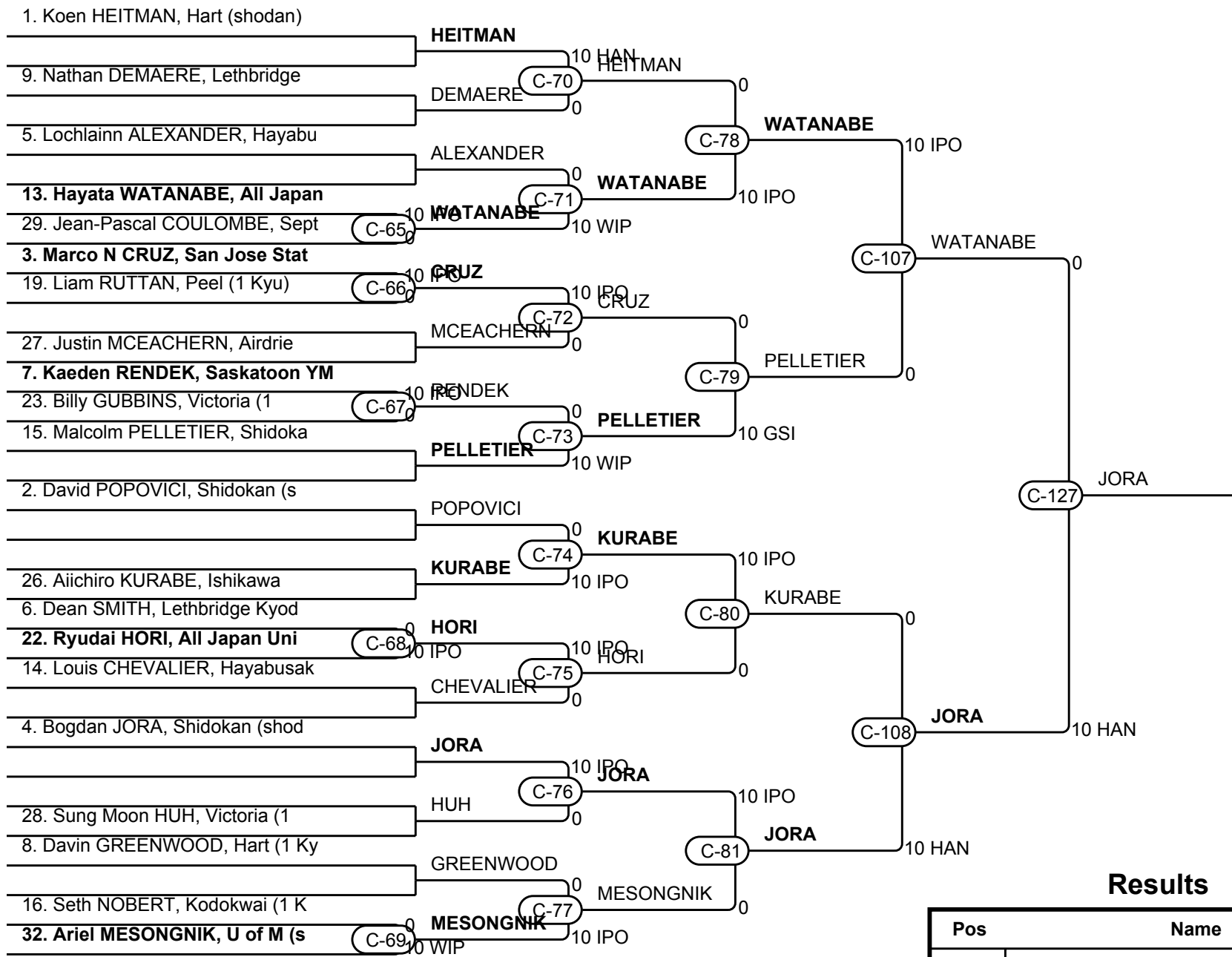


Results

Pos	Name
1	Joel DEMAERE, Lethbridge K
2	Justin Rashad CHIN, Kodokw
3	Thomas ESCOLAR, Shidokan
3	Graham NORQUAY, Invermere

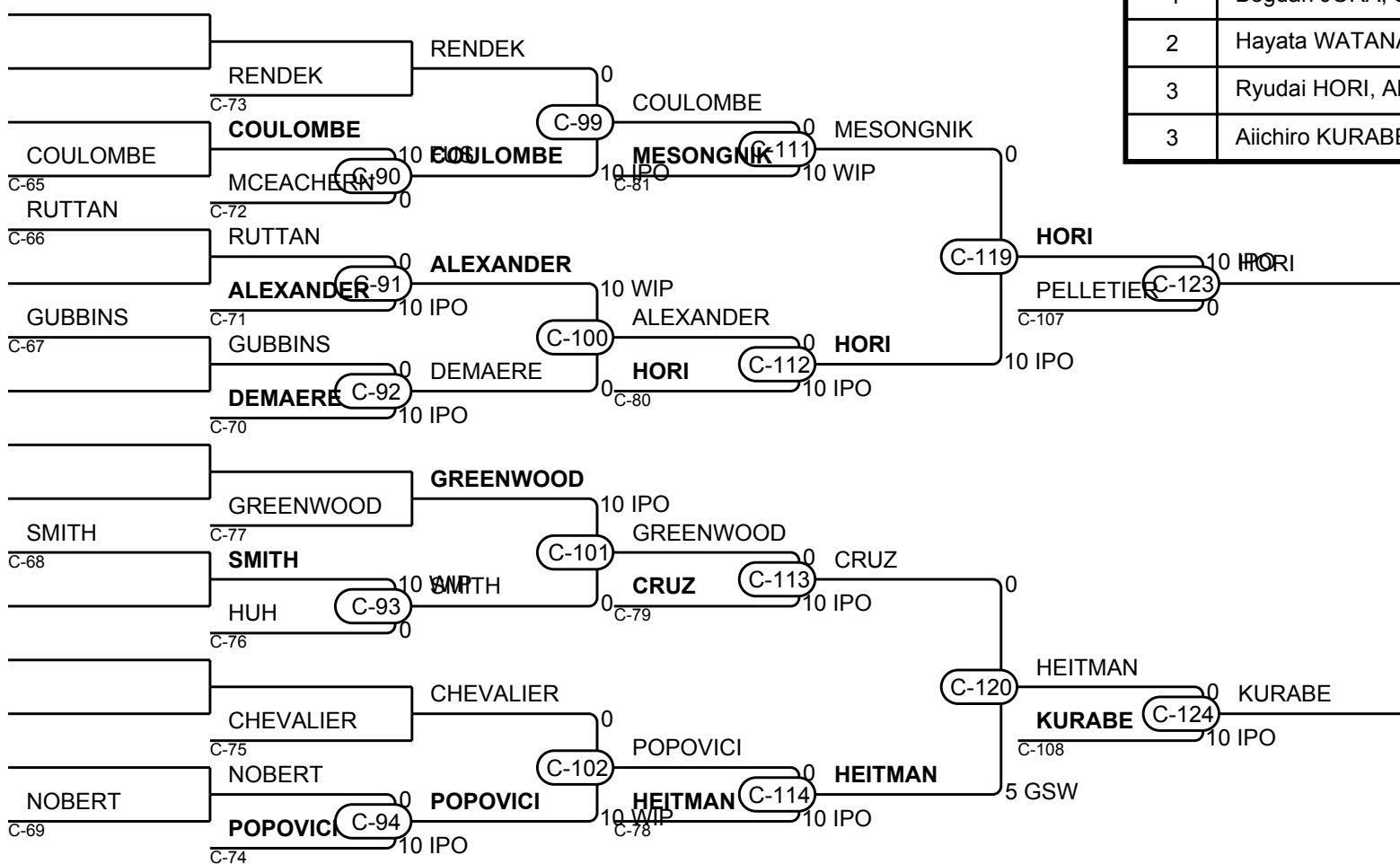
PAC Intl Mar 17/19 Rmd Olympic Oval Senior Men-66kg

Competitors: 21



Results

Pos	Name
1	Bogdan JORA, Shidokan
2	Hayata WATANABE, All Japan
3	Ryudai HORI, All Japan Uni
3	Aiichiro KURABE, Ishikawa



PAC Intl Mar 17/19 Rmd Olympic Oval Int Men-73kg

Competitors: 4

Competitors

#	Name	Grade	Club	1	2	3	4	Wins	Pts	Pos
1	Brett DUDAR (73,00)	2 Kyu	Kodokwai	XX	10	10	10	3	30	1
2	Tighe MCASEY (73,00)	2 Kyu	Ishi Yama		XX	10	10	2	20	2
3	Pawel RYGIEL (73,00)	2 Kyu	Abbotsford			XX		0	0	3
4	Nic ARENBURG (73,00)	3 Kyu	Nanaimo			5	XX	1	5	3

Matches

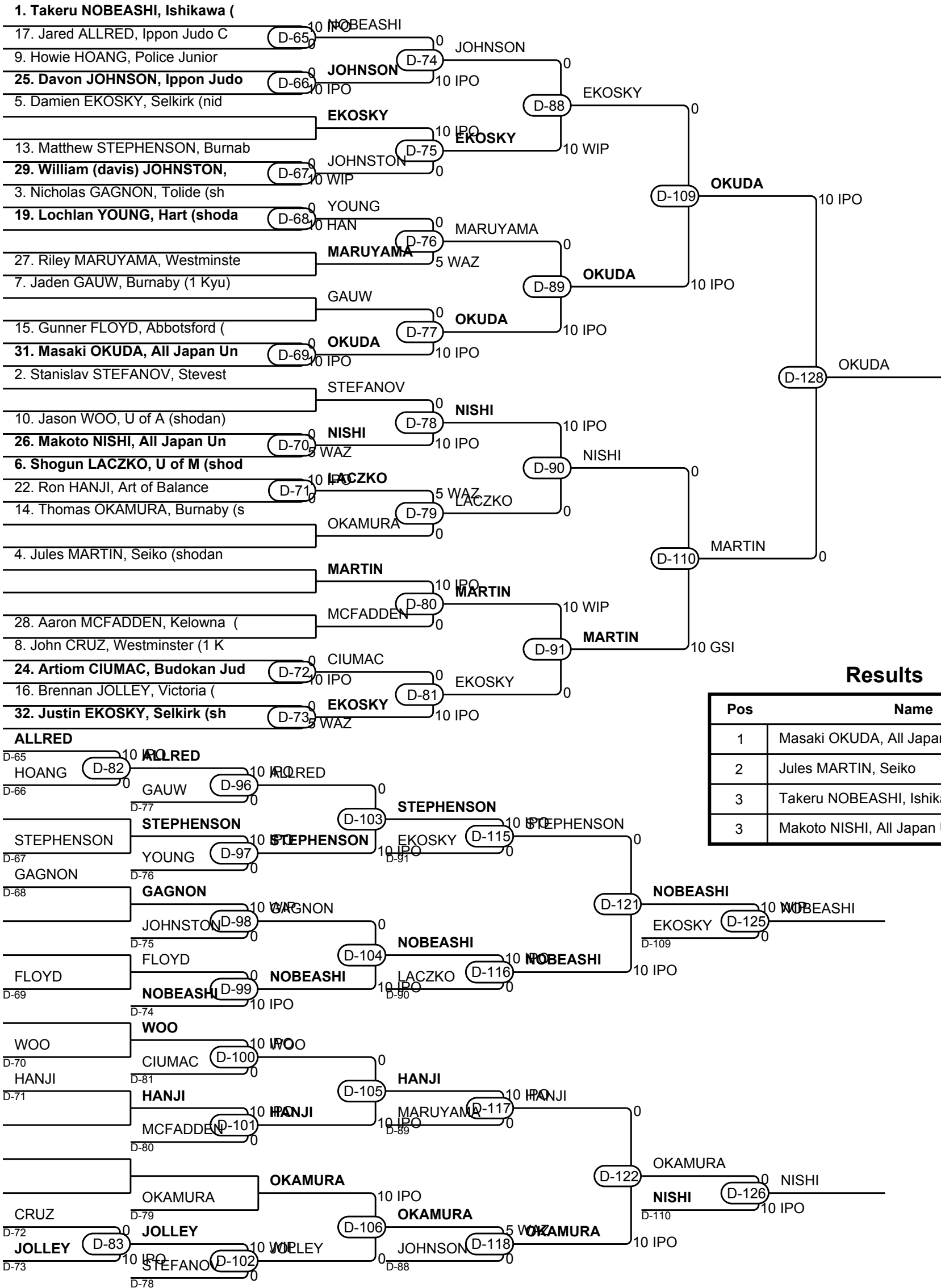
Match	White			Blue	Result	Time	Code
C-3	Brett DUDAR	1	2	Tighe MCASEY	10 - 0	1:36	IPO
C-4	Pawel RYGIEL	3	4	Nic ARENBURG	0 - 5	0:00	WAZ
C-6	Brett DUDAR	1	3	Pawel RYGIEL	10 - 0	0:47	IPO
C-7	Tighe MCASEY	2	4	Nic ARENBURG	10 - 0	2:55	IPO
C-10	Brett DUDAR	1	4	Nic ARENBURG	10 - 0	0:21	IPO
C-11	Tighe MCASEY	2	3	Pawel RYGIEL	10 - 0	0:43	IPO

Results

Pos	Name
1	Brett DUDAR, Kodokwai
2	Tighe MCASEY, Ishi Yama
3	Nic ARENBURG, Nanaimo

PAC Intl Mar 17/19 Rmd Olympic Oval Senior Men-73kg

Competitors: 25



Results

Pos	Name
1	Masaki OKUDA, All Japan Un
2	Jules MARTIN, Seiko
3	Takeru NOBEASHI, Ishikawa
3	Makoto NISHI, All Japan Un

PAC Intl Mar 17/19 Rmd Olympic Oval Int Men-81kg

Competitors: 7

Competitors A

#	Name	Grade	Club	1	2	3	4	Wins	Pts	Pos
1	Justin LANG (81,00)	2 Kyu	Abbotsford	XX		10	10	2	20	2
2	John PARK (81,00)	3 Kyu	Westminster	10	XX	10	10	3	30	1
3	James SERHAN (81,00)	3 Kyu	Burnaby			XX	10	1	10	3
4	Justin WHITE (81,00)	2 Kyu	Airdrie Eidokan				XX	0	0	4

Matches A

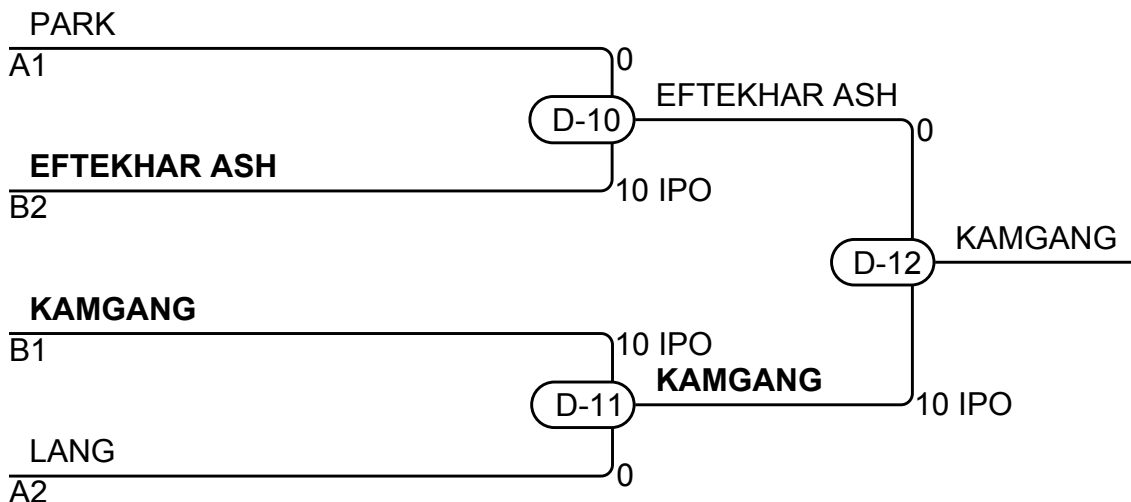
Match	White	Blue	Result	Time	Code
D-1	Justin LANG	John PARK	0 - 10	0:26	IPO
D-2	James SERHAN	Justin WHITE	10 - 0	0:00	FUS
D-4	Justin LANG	James SERHAN	10 - 0	1:35	IPO
D-5	John PARK	Justin WHITE	10 - 0	0:00	FUS
D-7	Justin LANG	Justin WHITE	10 - 0	0:00	FUS
D-8	John PARK	James SERHAN	10 - 0	0:15	IPO

Competitors B

#	Name	Grade	Club	5	6	7	Wins	Pts	Pos
5	Mark VIRGINILLO (81,00)	3 Kyu	Westminster	XX			0	0	3
6	Yves David KAMGANG (81,00)	2 Kyu	Tokugawa	10	XX	10	2	20	1
7	Arya EFTEKHAR ASHTIANA (81,00)	3 Kyu	Victoria	10		XX	1	10	2

Matches B

Match	White	Blue	Result	Time	Code
D-3	Mark VIRGINILLO	Yves David KAMGANG	0 - 10	0:40	IPO
D-6	Mark VIRGINILLO	Arya EFTEKHAR ASHTIANA	0 - 10	1:02	IPO
D-9	Yves David KAMGANG	Arya EFTEKHAR ASHTIANA	10 - 0	1:26	IPO



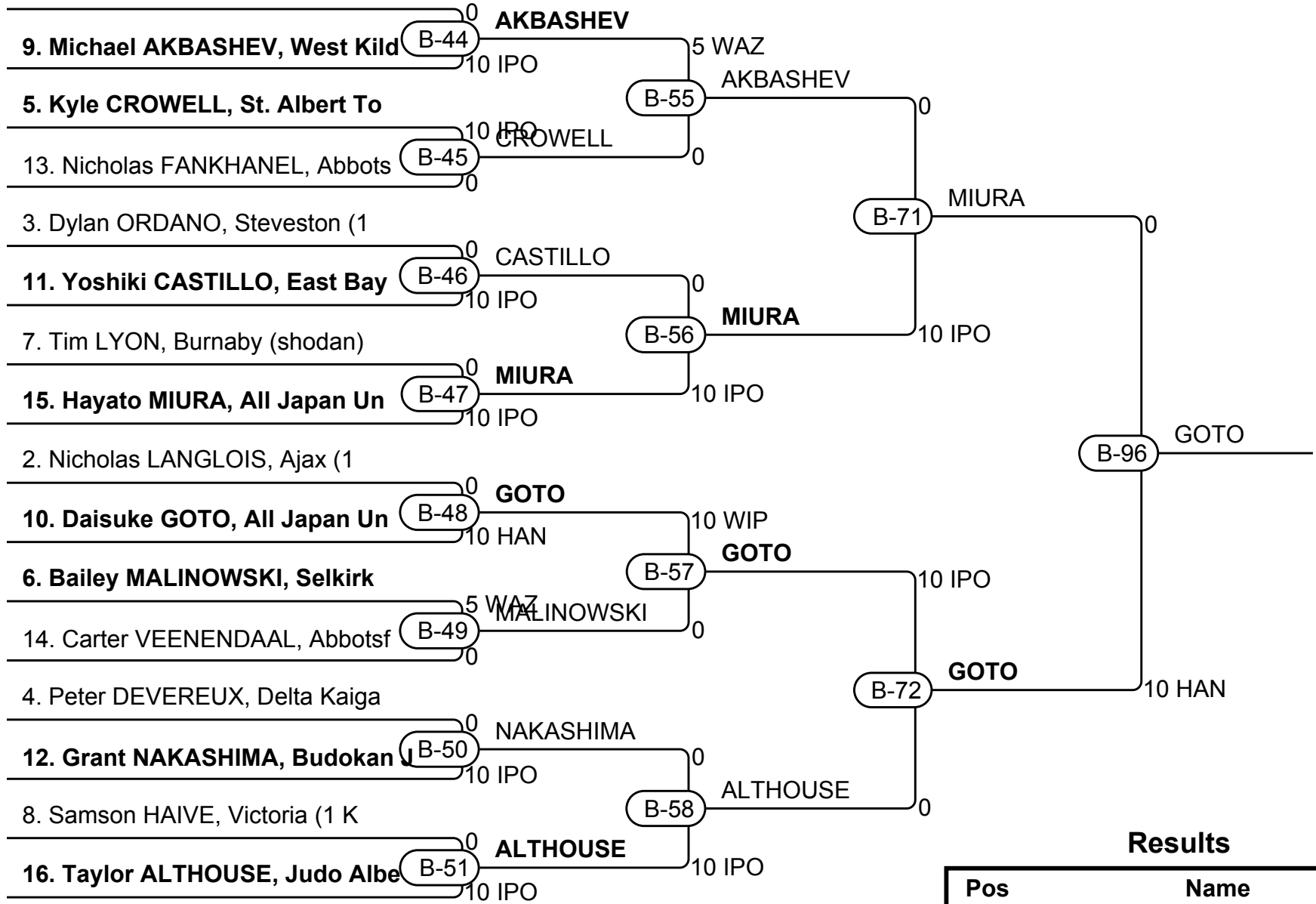
Results

Pos	Name
1	Yves David KAMGANG, Tokugawa
2	Arya EFTEKHAR ASHTIANA, Victoria
3	John PARK, Westminster
3	Justin LANG, Abbotsford

PAC Intl Mar 17/19 Rmd Olympic Oval Senior Men-81kg

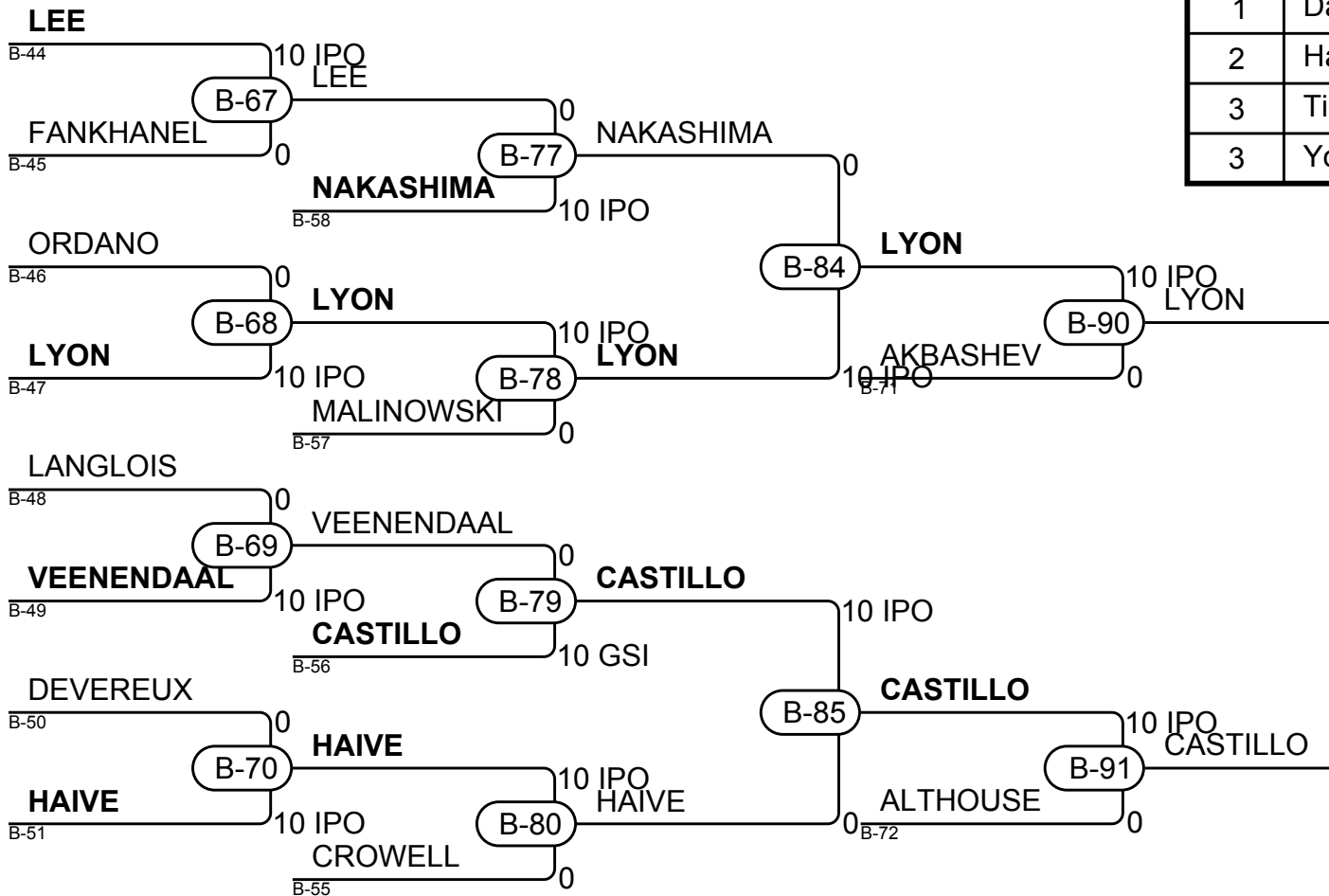
Competitors: 16

1. Sanghoon LEE, Victoria (sho)



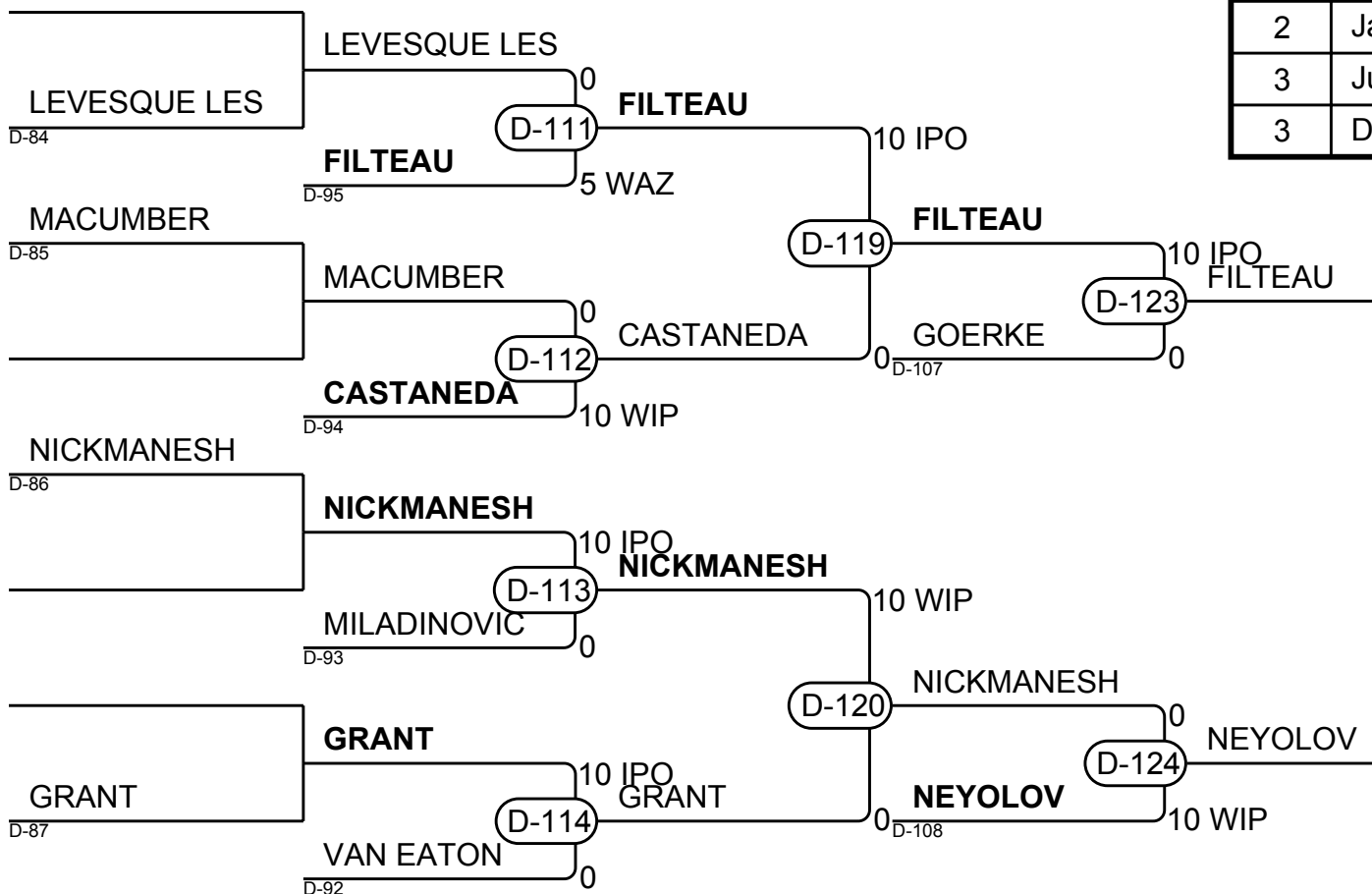
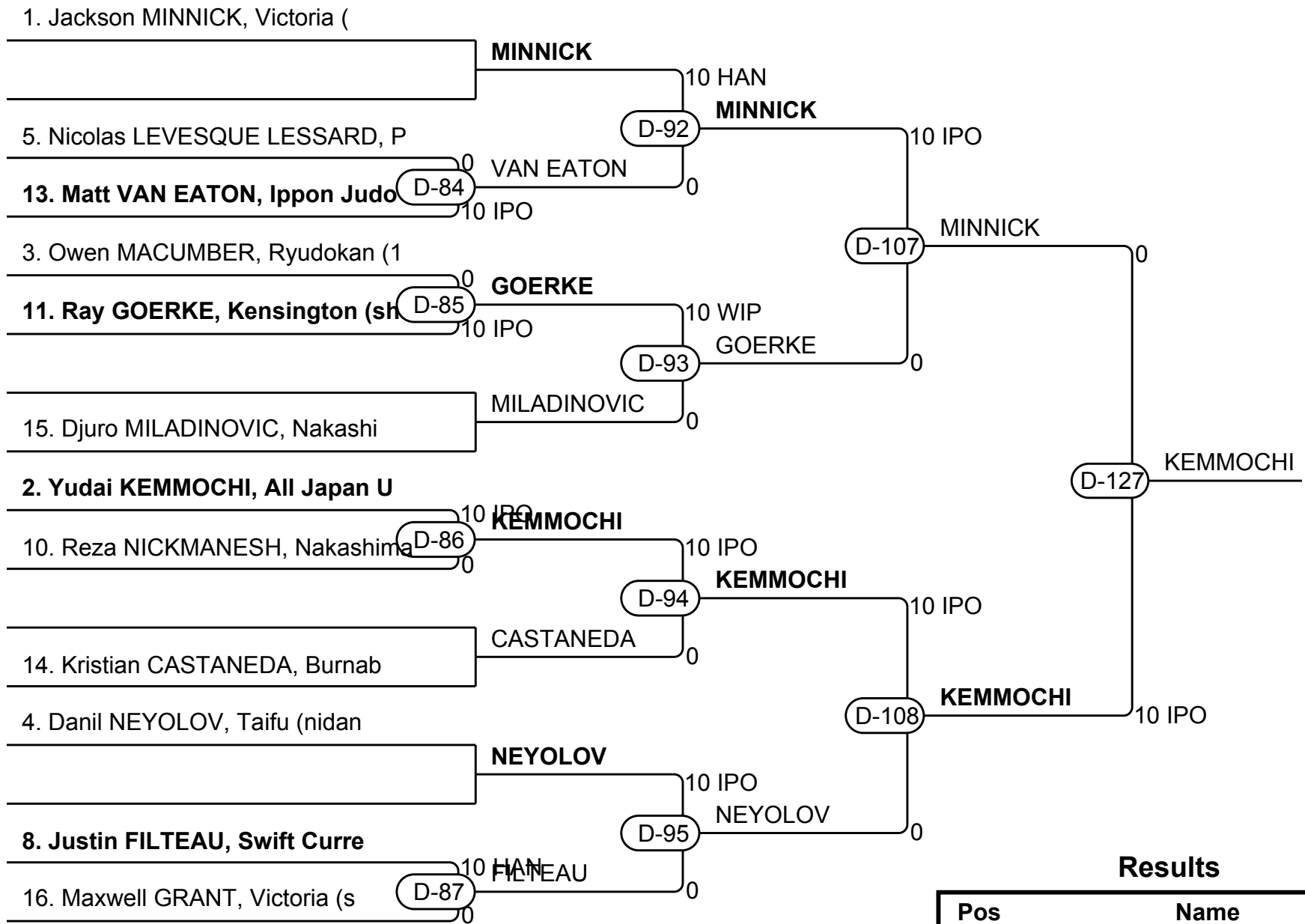
Results

Pos	Name
1	Daisuke GOTO, All Japan Un
2	Hayato MIURA, All Japan Un
3	Tim LYON, Burnaby
3	Yoshiki CASTILLO, East Bay



PAC Intl Mar 17/19 Rmd Olympic Oval Senior Men-90kg

Competitors: 12



PAC Intl Mar 17/19 Rmd Olympic Oval Int Men+100kg

Competitors: 2

Competitors

#	Name	Grade	Club	1	2	1	2	1	2	Wins	Pts	Pos
1	Jordan LEVINE (97,00)	3 Kyu	Kensington	XX	10	XX	10	XX		2	20	1
2	Dingcheng ZHANG (106,00)	3 Kyu	Burnaby		XX		XX		XX	0	0	2

Matches

Match	White			Blue	Result	Time	Code
C-1	Jordan LEVINE	1	2	Dingcheng ZHANG	10 - 0	0:00	FUS
C-2	Dingcheng ZHANG	2	1	Jordan LEVINE	0 - 10	0:00	FUS
C-9	Jordan LEVINE	1	2	Dingcheng ZHANG			

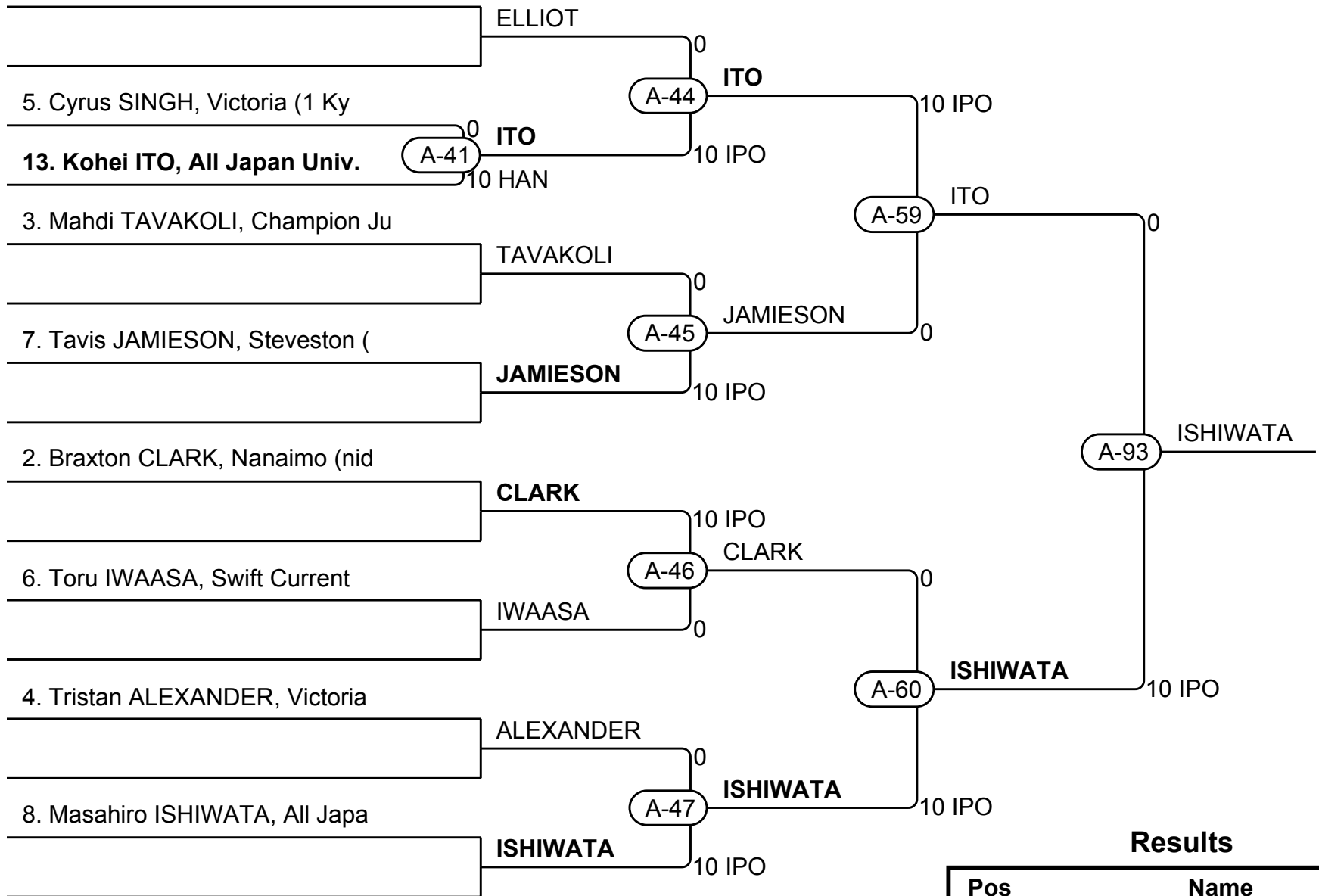
Results

Pos	Name
1	Jordan LEVINE, Kensington

PAC Intl Mar 17/19 Rmd Olympic Oval Senior Men+100kg

Competitors: 9

1. Wilson ELLIOT, Kam Lake (1



Results

Pos	Name
1	Masahiro ISHIWATA, All Jap
2	Kohei ITO, All Japan Univ.
3	Tavis JAMIESON, Steveston
3	Braxton CLARK, Nanaimo

