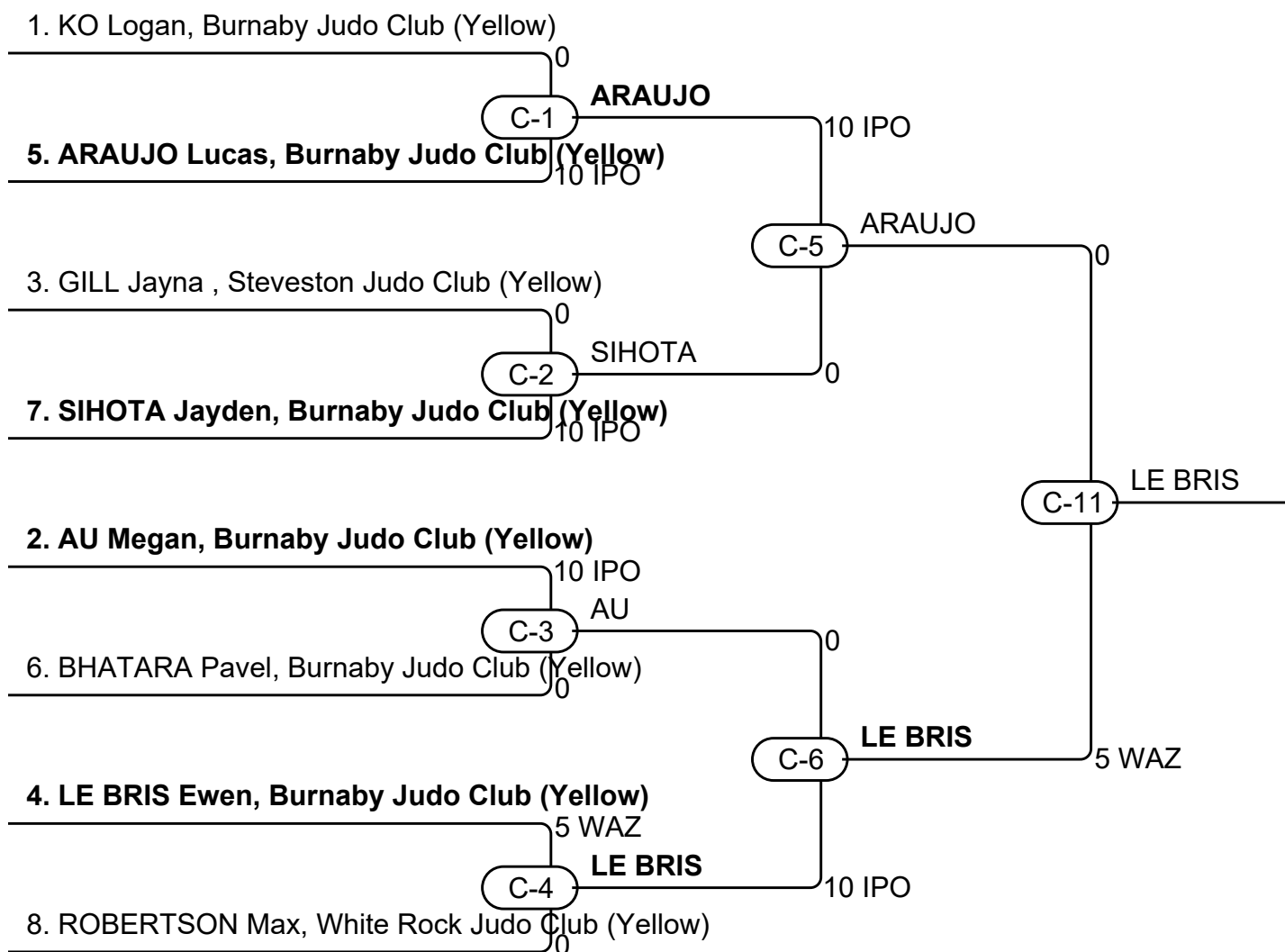
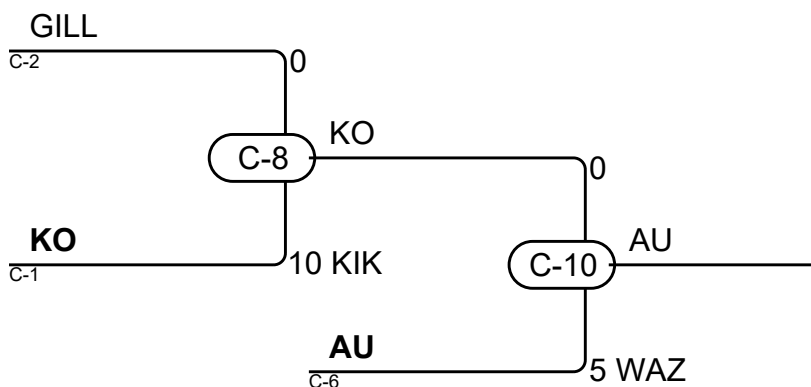
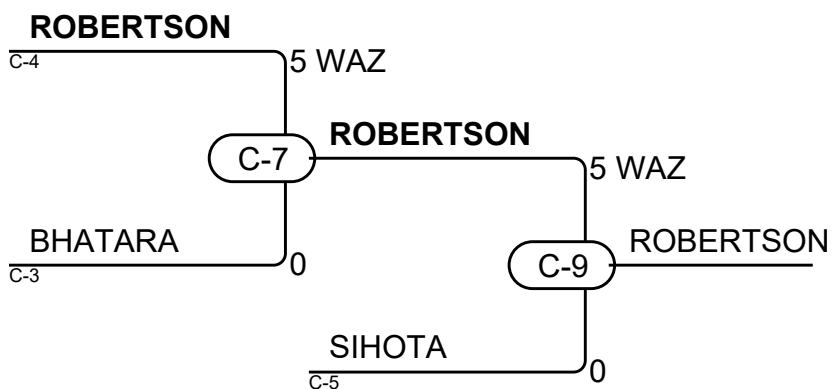


U10 Boys&Girls-23kg

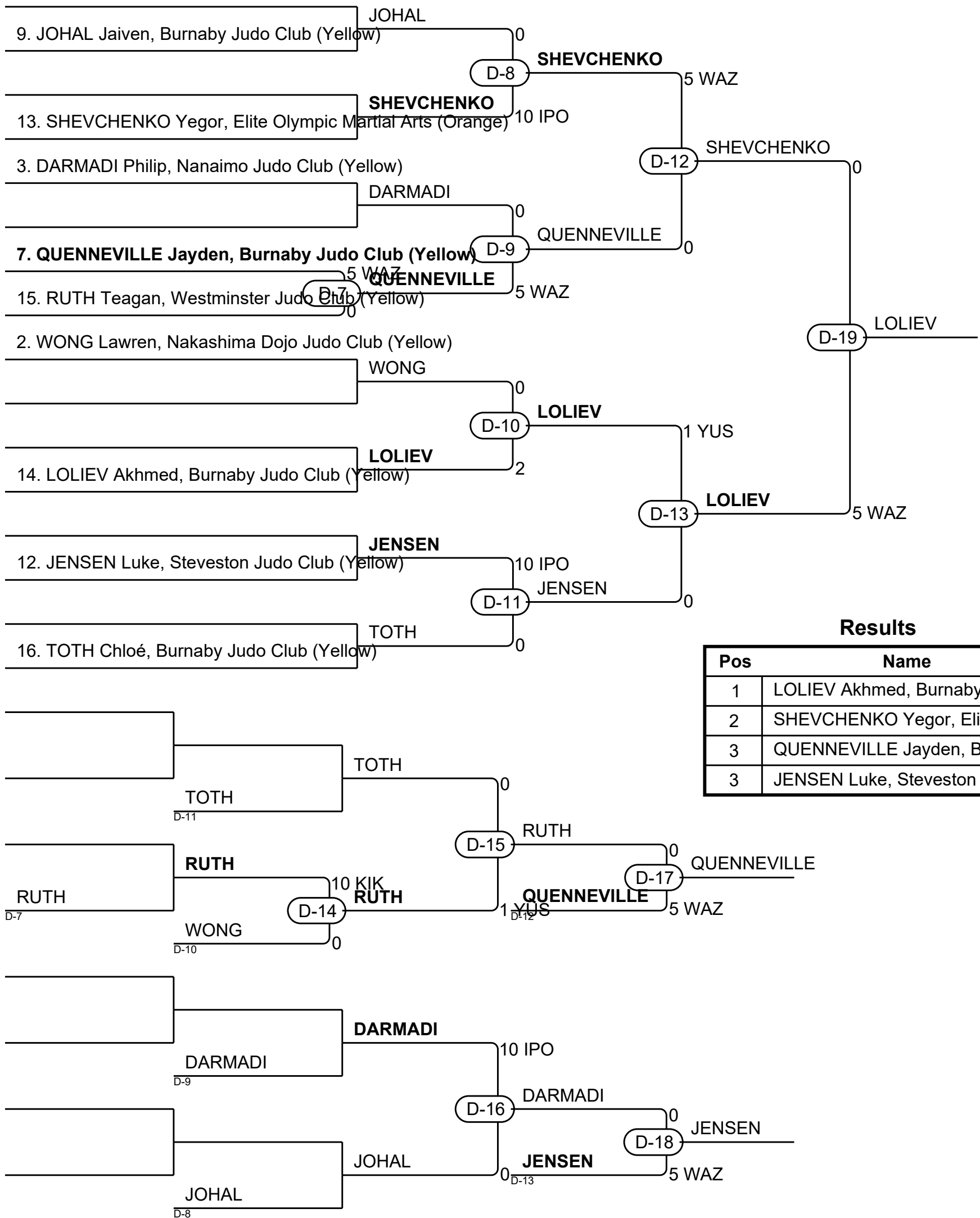


Results

Pos	Name
1	LE BRIS Ewen, Burnaby Judo Club
2	ARAUJO Lucas, Burnaby Judo Club
3	ROBERTSON Max, White Rock Judo Club
3	AU Megan, Burnaby Judo Club



U10 Boys&Girls-26kg



U10 Boys&Girls-29kg

Competitors

#	Name	Grade	Club	1	2	3	4	5	Wins	Pts	Pos
1	REBAMONTAN Kaela	Yellow	Port Coquitlam Judo Club	XX		10	10	1	3	21	2
2	JENSEN Ryder	Yellow	Steveston Judo Club	10	XX	10	10	10	4	40	1
3	ANDREASSEN Patton	Yellow	Abbotsford Judo Club			XX			0	0	5
4	ROTBART Orion	Yellow	Burnaby Judo Club			5	XX		1	5	4
5	PAREKH Dylan	Yellow	Burnaby Judo Club			1	5	XX	2	6	3

Matches

Match	White			Blue	Result	Time	Code
B-1	ROTBART Orion	4	5	PAREKH Dylan	0 - 5	1:30	WAZ
B-2	REBAMONTAN Kaela	1	2	JENSEN Ryder	0 - 10	1:30	IPO
B-3	ANDREASSEN Patton	3	4	ROTBART Orion	0 - 5	1:45	WAZ
B-4	REBAMONTAN Kaela	1	5	PAREKH Dylan	1 - 0	1:30	YUS
B-5	JENSEN Ryder	2	3	ANDREASSEN Patton	10 - 0	1:30	IPO
B-6	REBAMONTAN Kaela	1	4	ROTBART Orion	10 - 0	1:30	IPO
B-7	ANDREASSEN Patton	3	5	PAREKH Dylan	0 - 1	1:30	YUS
B-8	JENSEN Ryder	2	4	ROTBART Orion	10 - 0	1:12	IPO
B-9	REBAMONTAN Kaela	1	3	ANDREASSEN Patton	10 - 0	1:02	IPO
B-10	JENSEN Ryder	2	5	PAREKH Dylan	10 - 0	1:30	IPO

Results

Pos	Name
1	JENSEN Ryder , Steveston Judo Club
2	REBAMONTAN Kaela , Port Coquitlam Judo Club
3	PAREKH Dylan, Burnaby Judo Club
4	ROTBART Orion, Burnaby Judo Club

U10 Boys&Girls-32kg

Competitors

#	Name	Grade	Club	1	2	3	Wins	Pts	Pos
1	FOSTER Henry	Orange	Elite Olympic Martial Arts	XX			0	0	3
2	TAYLOR Bryce	Yellow	Abbotsford Judo Club	5	XX	5	2	10	1
3	DEBANKS Vanessa	Yellow	White Rock Judo Club	5		XX	1	5	2

Matches

Match	White			Blue	Result	Time	Code
D-4	FOSTER Henry	1	2	TAYLOR Bryce	0 - 5	1:30	WAZ
D-5	FOSTER Henry	1	3	DEBANKS Vanessa	0 - 5	1:30	WAZ
D-6	TAYLOR Bryce	2	3	DEBANKS Vanessa	5 - 0	1:30	WAZ

Results

Pos	Name
1	TAYLOR Bryce, Abbotsford Judo Club
2	DEBANKS Vanessa, White Rock Judo Club

U10 Boys&Girls-35kg

Competitors

#	Name	Grade	Club	1	2	3	Wins	Pts	Pos
1	CHOI Hayun	Yellow	Elite Olympic Martial Arts	XX			0	0	3
2	SMITH Isabella	Orange	Arashi Judo Club	10	XX		1	10	2
3	BONIFACIO Kaiya	Orange	Budokan Dojo Judo Club	10	10	XX	2	20	1

Matches

Match	White			Blue	Result	Time	Code
D-1	CHOI Hayun	1	2	SMITH Isabella	0 - 10	1:30	IPO
D-2	CHOI Hayun	1	3	BONIFACIO Kaiya	0 - 10	1:30	IPO
D-3	SMITH Isabella	2	3	BONIFACIO Kaiya	0 - 10	1:30	IPO

Results

Pos	Name
1	BONIFACIO Kaiya, Budokan Dojo Judo Club
2	SMITH Isabella, Arashi Judo Club

U10 Newaza Heavy-35kg

Competitors

#	Name	Grade	Club	1	2	1	2	1	2	Wins	Pts	Pos
1	MILBURN William	White	Westminster Judo Club	XX		XX		XX		0	0	2
2	BIXBY Carson	White	Vernon Judo Club	1	XX	1	XX	10	XX	3	12	1

Matches

Match	White			Blue	Result	Time	Code
A-7	MILBURN William	1	2	BIXBY Carson	0 - 1	1:30	YUS
A-8	BIXBY Carson	2	1	MILBURN William	1 - 0	1:30	YUS
A-9	MILBURN William	1	2	BIXBY Carson	0 - 10	0:00	FUS

Results

Pos	Name
1	BIXBY Carson, Vernon Judo Club

U10 Newaza Medium-20kg

Competitors

#	Name	Grade	Club	1	2	3	4	Wins	Pts	Pos
1	SIHOTA Evan	White	Burnaby Judo Club	XX	10			1	10	3
2	AMIN Karsen	White	Burnaby Judo Club		XX			0	0	4
3	GILL Jeevan	White	Steveston Judo Club	10	10	XX	10	3	30	1
4	JANZEN Reya	White	Westminster Judo Club	10	2		XX	2	12	2

Matches

Match	White			Blue	Result	Time	Code
A-1	SIHOTA Evan	1	2	AMIN Karsen	10 - 0	1:30	IPO
A-2	GILL Jeevan	3	4	JANZEN Reya	10 - 0	0:00	IPO
A-3	SIHOTA Evan	1	3	GILL Jeevan	0 - 10	1:27	IPO
A-4	AMIN Karsen	2	4	JANZEN Reya	0 - 2	1:30	
A-5	SIHOTA Evan	1	4	JANZEN Reya	0 - 10	1:30	IPO
A-6	AMIN Karsen	2	3	GILL Jeevan	0 - 10	1:30	IPO

Results

Pos	Name
1	GILL Jeevan , Steveston Judo Club
2	JANZEN Reya, Westminster Judo Club
3	SIHOTA Evan, Burnaby Judo Club

U12 Boys&Girls-25kg

Competitors

#	Name	Grade	Club	1	2	3	4	Wins	Pts	Pos
1	MUKAI Tyler	Yellow	Burnaby Judo Club	XX	5	10	10	3	25	1
2	QUENNEVILLE Dylan	Yellow	Burnaby Judo Club		XX	1	5	2	6	2
3	BERGERON Finnegan	Yellow	Westminster Judo Club			XX	10	1	10	3
4	DELANEY Sierra	Yellow	Abbotsford Judo Club				XX	0	0	4

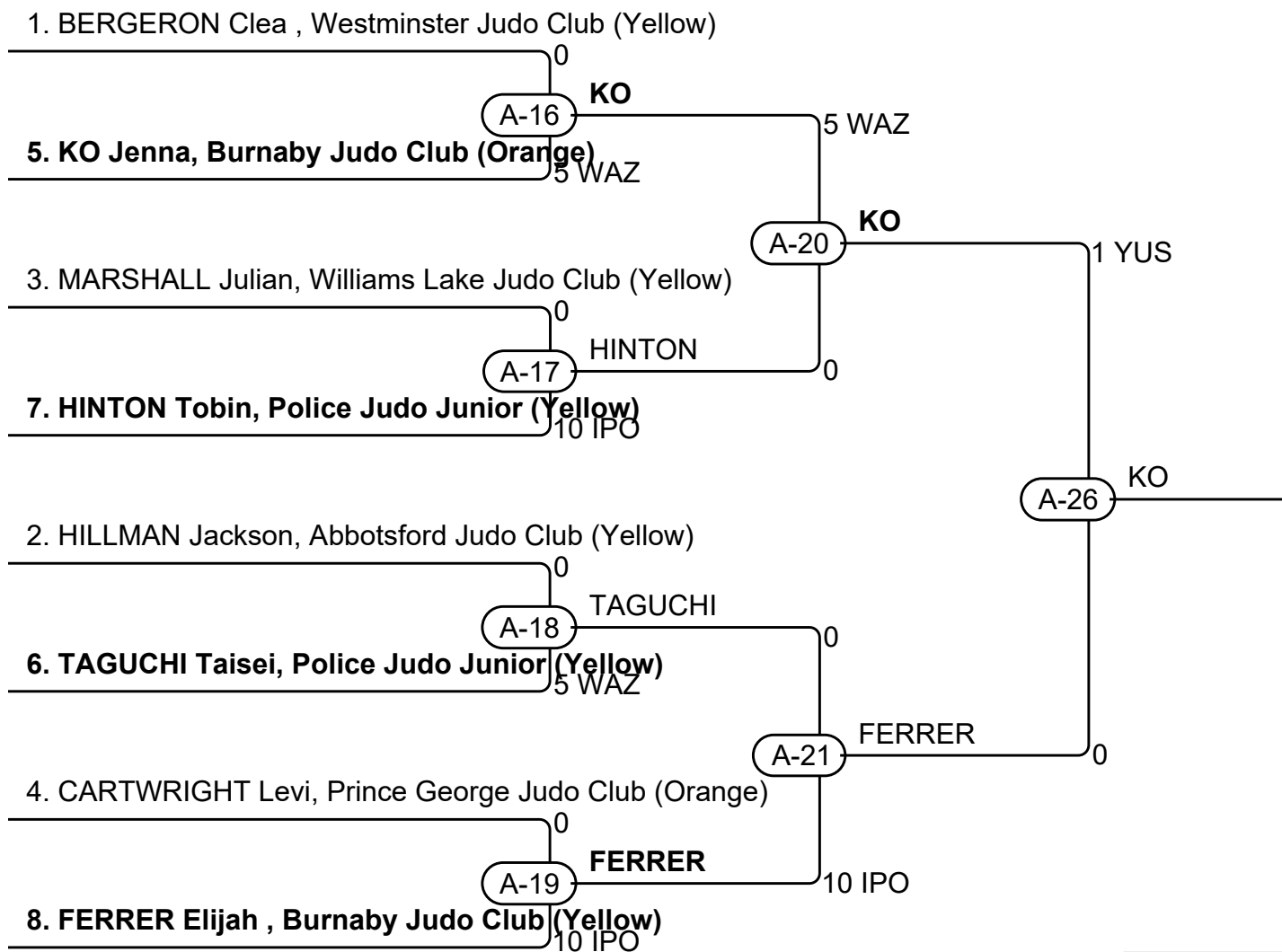
Matches

Match	White			Blue	Result	Time	Code
A-10	MUKAI Tyler	1	2	QUENNEVILLE Dylan	5 - 0	2:00	WAZ
A-11	BERGERON Finnegan	3	4	DELANEY Sierra	10 - 0	1:51	IPO
A-12	MUKAI Tyler	1	3	BERGERON Finnegan	10 - 0	1:30	IPO
A-13	QUENNEVILLE Dylan	2	4	DELANEY Sierra	5 - 0	0:54	WAZ
A-14	MUKAI Tyler	1	4	DELANEY Sierra	10 - 0	0:42	KIK
A-15	QUENNEVILLE Dylan	2	3	BERGERON Finnegan	1 - 0	2:00	YUS

Results

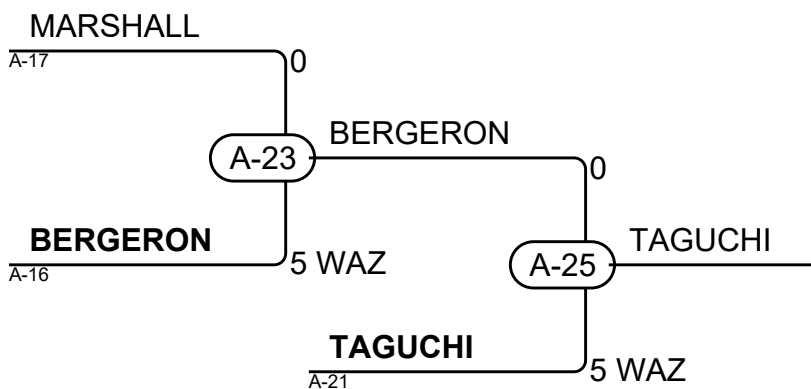
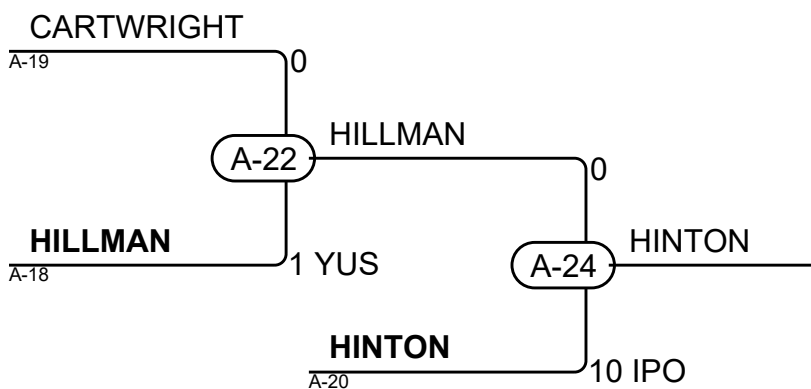
Pos	Name
1	MUKAI Tyler, Burnaby Judo Club
2	QUENNEVILLE Dylan , Burnaby Judo Club
3	BERGERON Finnegan, Westminster Judo Club

U12 Boys&Girls-27kg



Results

Pos	Name
1	KO Jenna, Burnaby Judo Club
2	FERRER Elijah , Burnaby Judo Club
3	HINTON Tobin, Police Judo Junior
3	TAGUCHI Taisei, Police Judo Junior



U12 Boys&Girls-30kg

Competitors A

#	Name	Grade	Club	1	2	3	4	Wins	Pts	Pos
1	KWOK Louie	Yellow	Police Judo Junior	XX				0	0	4
2	ANG Ethan	Yellow	White Rock Judo Club		XX			0	0	3
3	HOU Owen	Yellow	Steveston Judo Club		10	XX	1	2	11	1
4	DEWAR Oskar	Orange	Prince George Judo Club		10		XX	1	10	2

Matches A

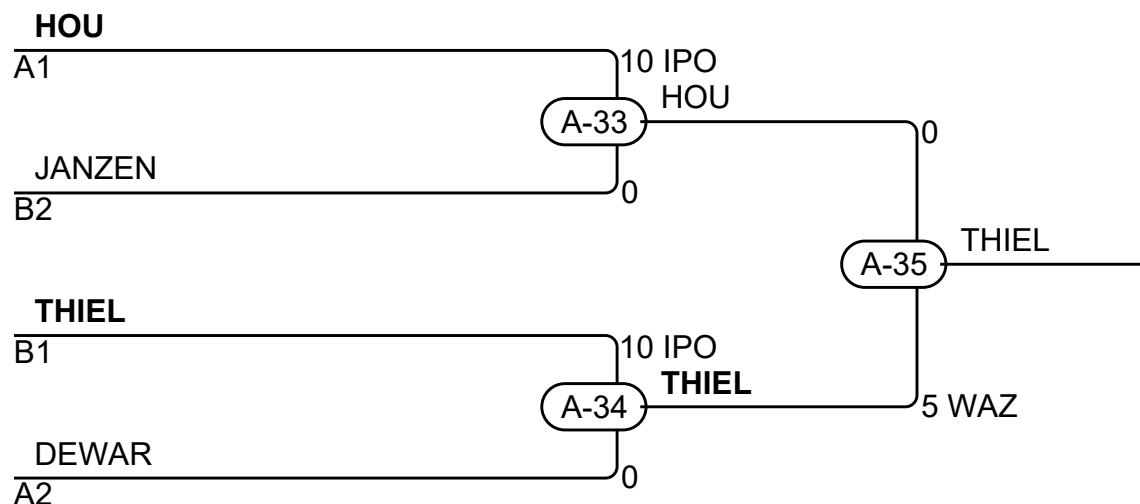
Match	White	Blue	Result	Time	Code
1	KWOK Louie	1 2 ANG Ethan			
A-27	HOU Owen	3 4 DEWAR Oskar	1 - 0	2:00	YUS
4	KWOK Louie	1 3 HOU Owen			
A-29	ANG Ethan	2 4 DEWAR Oskar	0 - 10	2:00	IPO
7	KWOK Louie	1 4 DEWAR Oskar			
A-31	ANG Ethan	2 3 HOU Owen	0 - 10	2:00	IPO

Competitors B

#	Name	Grade	Club	5	6	7	Wins	Pts	Pos
5	THACHUK Mike	Yellow	White Rock Judo Club	XX			0	0	3
6	JANZEN Mia	Yellow	Westminster Judo Club	5	XX		1	5	2
7	THIEL Nathan	Orange	Abbotsford Judo Club	10	1	XX	2	11	1

Matches B

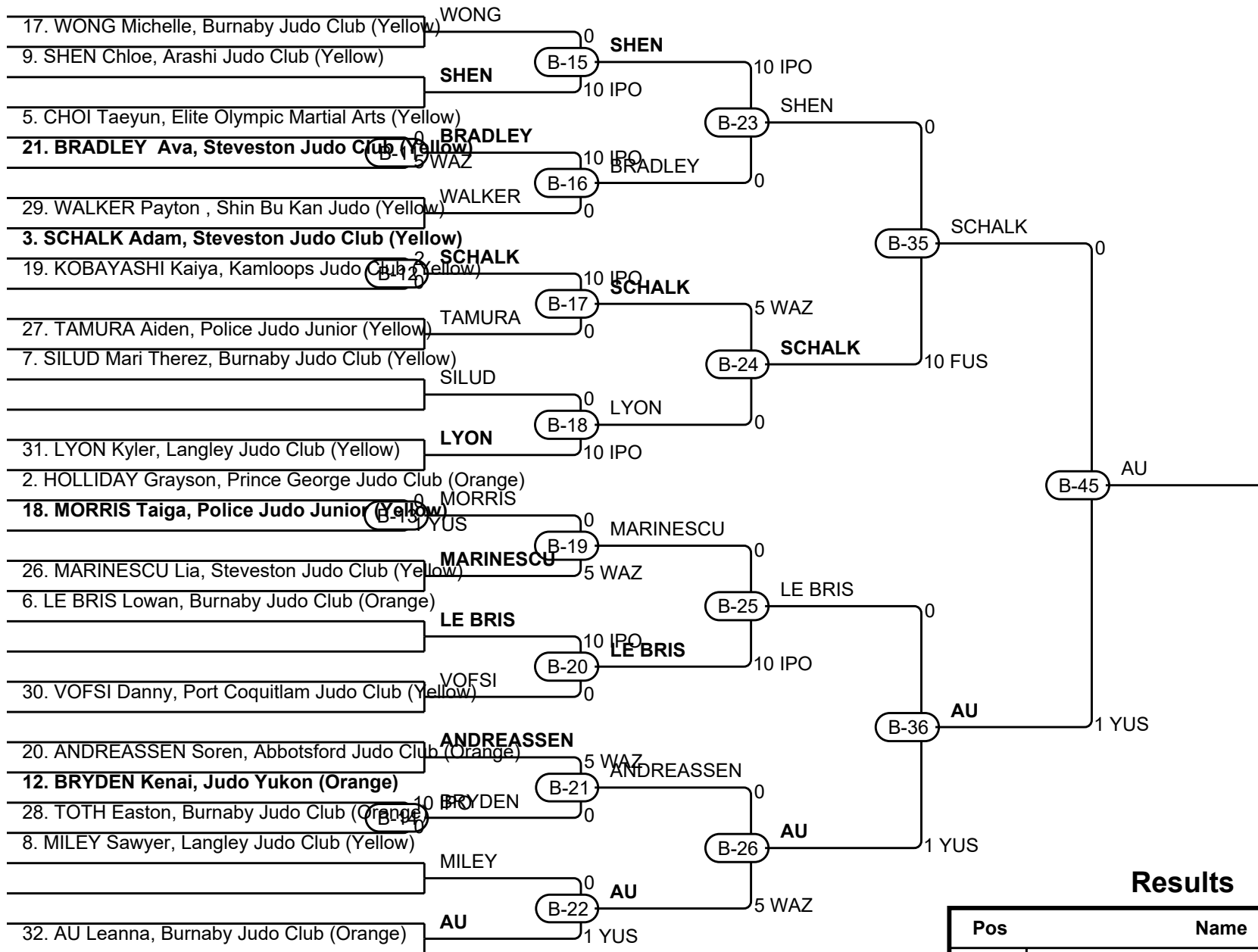
Match	White	Blue	Result	Time	Code
A-28	THACHUK Mike	5 6 JANZEN Mia	0 - 5	2:00	WAZ
A-30	THACHUK Mike	5 7 THIEL Nathan	0 - 10	1:50	IPO
A-32	JANZEN Mia	6 7 THIEL Nathan	0 - 1	2:00	YUS



Results

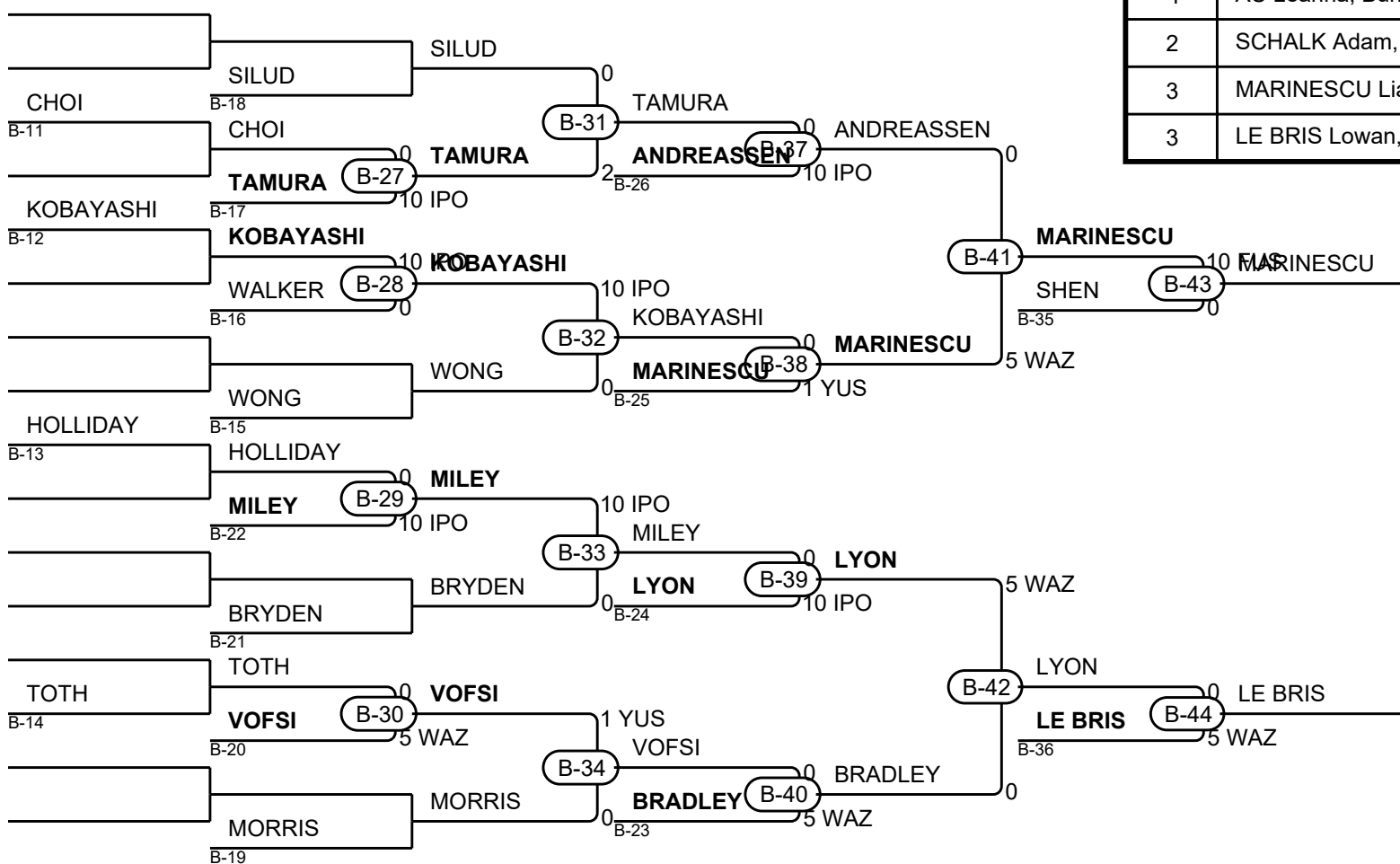
Pos	Name
1	THIEL Nathan, Abbotsford Judo Club
2	HOU Owen, Steveston Judo Club
3	JANZEN Mia, Westminster Judo Club
3	DEWAR Oskar, Prince George Judo Club

U12 Boys&Girls-33kg

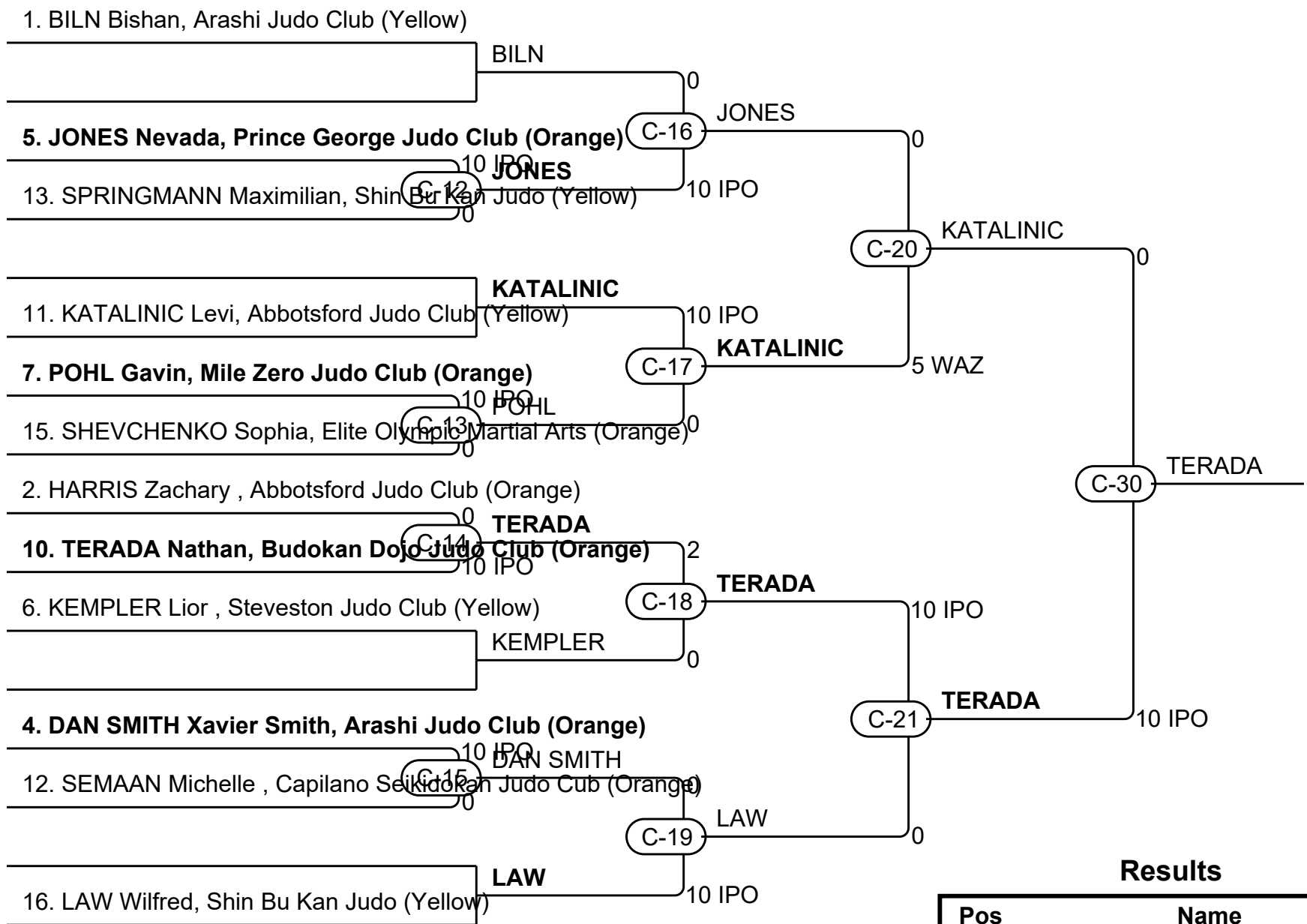


Results

Pos	Name
1	AU Leanna, Burnaby Judo Club
2	SCHALK Adam, Steveston Judo Club
3	MARINESCU Lia, Steveston Judo Club
3	LE BRIS Lowan, Burnaby Judo Club

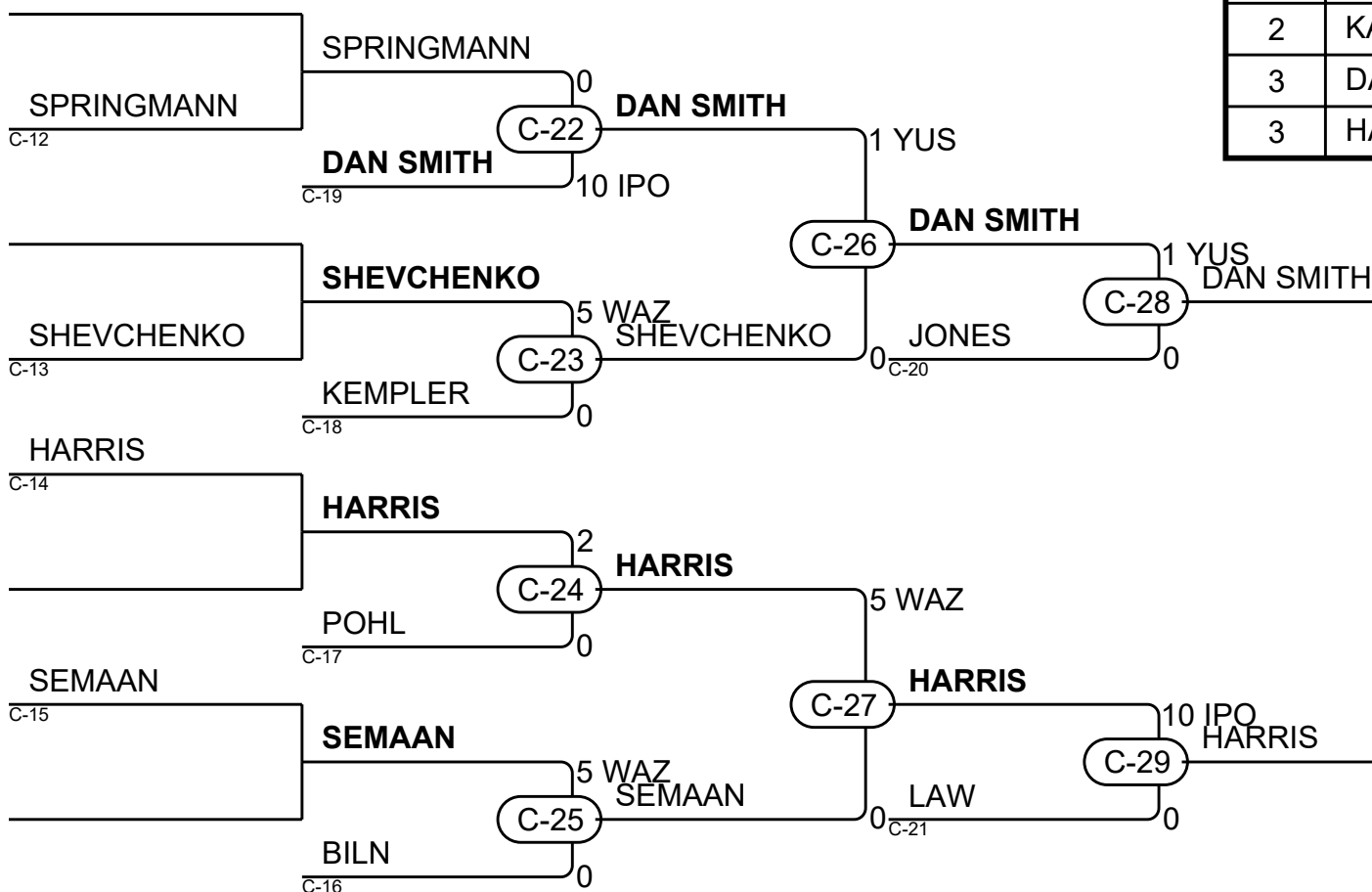


U12 Boys&Girls-39kg



Results

Pos	Name
1	TERADA Nathan, Budokan Dojo Judo Club
2	KATALINIC Levi, Abbotsford Judo Club
3	DAN SMITH Xavier Smith, Arashi Judo Club
3	HARRIS Zachary, Abbotsford Judo Club



U12 Boys&Girls-42kg

Competitors

#	Name	Grade	Club	1	2	3	4	Wins	Pts	Pos
1	DEBANKS Ivan	Yellow	White Rock Judo Club	XX		10		1	10	2
2	GOODKOVSKY Gleb	Yellow	Elite Olympic Martial Arts	1	XX			1	1	4
3	DEGUZMAN Jayden	Yellow	Ippon Judo Dojo		1	XX		1	1	3
4	CARTER Josh	Orange	Abbotsford Judo Club	1	5	1	XX	3	7	1

Matches

Match	White			Blue	Result	Time	Code
D-20	DEBANKS Ivan	1	2	GOODKOVSKY Gleb	0 - 1	2:00	YUS
D-21	DEGUZMAN Jayden	3	4	CARTER Josh	0 - 1	2:00	YUS
D-22	DEBANKS Ivan	1	3	DEGUZMAN Jayden	10 - 0	1:57	IPO
D-23	GOODKOVSKY Gleb	2	4	CARTER Josh	0 - 5	2:00	WAZ
D-24	DEBANKS Ivan	1	4	CARTER Josh	0 - 1	2:00	YUS
D-25	GOODKOVSKY Gleb	2	3	DEGUZMAN Jayden	0 - 1	2:00	YUS

Results

Pos	Name
1	CARTER Josh , Abbotsford Judo Club
2	DEBANKS Ivan, White Rock Judo Club
3	DEGUZMAN Jayden , Ippon Judo Dojo
4	GOODKOVSKY Gleb, Elite Olympic Martial Arts

U12 Boys&Girls-45kg

Competitors

#	Name	Grade	Club	1	2	1	2	1	2	Wins	Pts	Pos
1	MEEK Liam	Orange	Burnaby Judo Club	XX	5	XX	5	XX		2	10	1
2	ROJAS ARCE Matias	Yellow	Burnaby Judo Club		XX		XX		XX	0	0	2

Matches

Match	White			Blue	Result	Time	Code
C-31	MEEK Liam	1	2	ROJAS ARCE Matias	5 - 0	2:00	WAZ
C-32	ROJAS ARCE Matias	2	1	MEEK Liam	0 - 5	2:00	WAZ
C-33	MEEK Liam	1	2	ROJAS ARCE Matias			

Results

Pos	Name
1	MEEK Liam, Burnaby Judo Club

U12 Boys&Girls-50kg

Competitors

#	Name	Grade	Club	1	2	3	Wins	Pts	Pos
1	PHANGURA Talia	Orange	Arashi Judo Club	XX		10	1	10	2
2	RACINE Gabriel	Green	Judo Yukon	5	XX	10	2	15	1
3	ROBERTSON Oliver	Yellow	White Rock Judo Club			XX	0	0	3

Matches

Match	White			Blue	Result	Time	Code
C-34	PHANGURA Talia	1	2	RACINE Gabriel	0 - 5	2:00	WAZ
2	PHANGURA Talia	1	3	ROBERTSON Oliver	10 - 0	0:00	KIK
3	RACINE Gabriel	2	3	ROBERTSON Oliver	10 - 0	0:00	KIK

Results

Pos	Name
1	RACINE Gabriel , Judo Yukon
2	PHANGURA Talia, Arashi Judo Club

U12 Boys&Girls-55kg

Competitors

#	Name	Grade	Club	1	2	1	2	1	2	Wins	Pts	Pos
1	BERNARDO Nicholas	Yellow	Capilano Seikidokan Judo Club	XX		XX		XX		0	0	2
2	CONNOLLY Liam	Yellow	Westsyde Judo Club	10	XX	5	XX	10	XX	3	25	1

Matches

Match	White			Blue	Result	Time	Code
D-26	BERNARDO Nicholas	1	2	CONNOLLY Liam	0 - 10	0:51	KIK
D-27	CONNOLLY Liam	2	1	BERNARDO Nicholas	5 - 0	2:00	WAZ
D-28	BERNARDO Nicholas	1	2	CONNOLLY Liam	0 - 10	0:00	IPO

Results

Pos	Name
1	CONNOLLY Liam, Westsyde Judo Club

U14 Female-40kg

Competitors

#	Name	Grade	Club	1	2	3	Wins	Pts	Pos
1	ROTBART Nova	Orange	Burnaby Judo Club	XX	1	5	2	6	1
2	DANILKOV Ekaterina	Orange	Burnaby Judo Club		XX	10	1	10	2
3	MITCHELL Mikayla	Orange	Steveston Judo Club			XX	0	0	3

Matches

Match	White			Blue	Result	Time	Code
B-48	ROTBART Nova	1	2	DANILKOV Ekaterina	1 - 0	3:00	YUS
B-49	ROTBART Nova	1	3	MITCHELL Mikayla	5 - 0	3:00	WAZ
B-50	DANILKOV Ekaterina	2	3	MITCHELL Mikayla	10 - 0	0:35	IPO

Results

Pos	Name
1	ROTBART Nova , Burnaby Judo Club
2	DANILKOV Ekaterina, Burnaby Judo Club

U14 Female-48kg

Competitors

#	Name	Grade	Club	1	2	3	4	Wins	Pts	Pos
1	ESPARBES Kylee	Orange	Steveston Judo Club	XX	10	10	10	3	30	1
2	MITCHELL Mishka	Orange	Steveston Judo Club		XX	10		1	10	3
3	SANDERS Lily	Orange	Emerald City Judo			XX		0	0	4
4	SCHENK Beata	Orange	Burnaby Judo Club		10	10	XX	2	20	2

Matches

Match	White			Blue	Result	Time	Code
C-64	ESPARBES Kylee	1	2	MITCHELL Mishka	10 - 0	3:00	IPO
C-65	SANDERS Lily	3	4	SCHENK Beata	0 - 10	2:26	IPO
C-66	ESPARBES Kylee	1	3	SANDERS Lily	10 - 0	1:30	IPO
C-67	MITCHELL Mishka	2	4	SCHENK Beata	0 - 10	2:00	IPO
C-68	ESPARBES Kylee	1	4	SCHENK Beata	10 - 0	3:00	IPO
C-69	MITCHELL Mishka	2	3	SANDERS Lily	10 - 0	1:56	IPO

Results

Pos	Name
1	ESPARBES Kylee , Steveston Judo Club
2	SCHENK Beata, Burnaby Judo Club
3	MITCHELL Mishka, Steveston Judo Club

U14 Female-57kg

Competitors A

#	Name	Grade	Club	1	2	3	Wins	Pts	Pos
1	LEE Zoe	Green	Westminster Judo Club	XX	10		1	10	2
2	BENEDET Lucie	Yellow	Capilano Seikidokan Judo Club		XX		0	0	3
3	JONES Fallon	Green	Prince George Judo Club	10	10	XX	2	20	1

Matches A

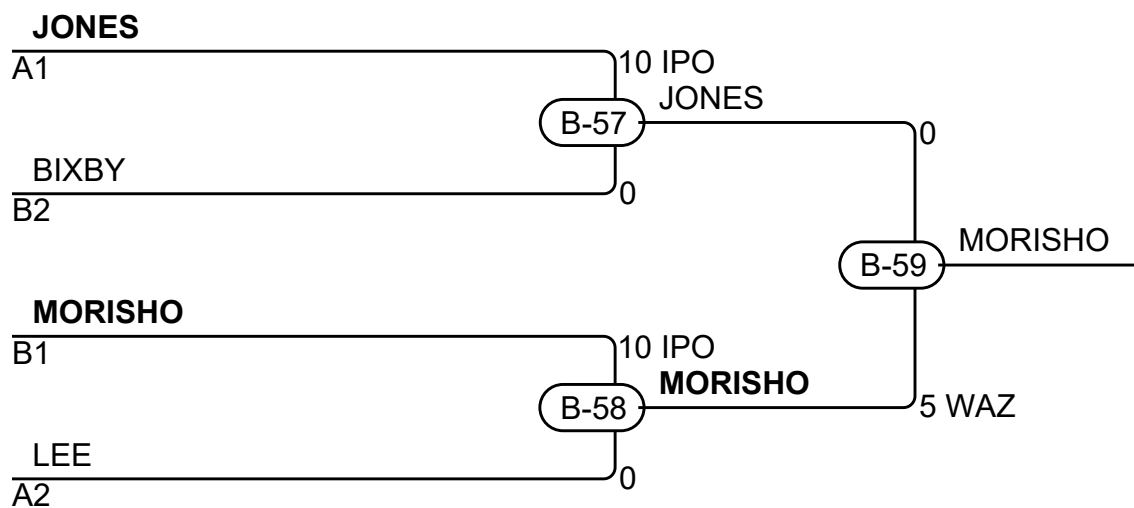
Match	White	Blue	Result	Time	Code
B-51	LEE Zoe	BENEDET Lucie	10 - 0	0:34	IPO
B-53	LEE Zoe	JONES Fallon	0 - 10	0:42	IPO
B-55	BENEDET Lucie	JONES Fallon	0 - 10	0:40	IPO

Competitors B

#	Name	Grade	Club	4	5	6	Wins	Pts	Pos
4	KATALINIC Sadie	Yellow	Abbotsford Judo Club	XX			0	0	3
5	BIXBY Teigan	Yellow	Vernon Judo Club	10	XX		1	10	2
6	MORISHO Nyota	Blue	Victoria Judo Club	10	10	XX	2	20	1

Matches B

Match	White	Blue	Result	Time	Code
B-52	KATALINIC Sadie	BIXBY Teigan	0 - 10	0:00	IPO
B-54	KATALINIC Sadie	MORISHO Nyota	0 - 10	0:56	IPO
B-56	BIXBY Teigan	MORISHO Nyota	0 - 10	0:45	IPO



Results

Pos	Name
1	MORISHO Nyota, Victoria Judo Club
2	JONES Fallon, Prince George Judo Club
3	BIXBY Teigan, Vernon Judo Club
3	LEE Zoe, Westminster Judo Club

U14 Male-31kg

Competitors

#	Name	Grade	Club	1	2	3	4	5	Wins	Pts	Pos
1	DELANEY Dakota	Yellow	Abbotsford Judo Club	XX					0	0	5
2	FRIZZELL Linus	Orange	Hart Judo Academy	10	XX	1		10	3	21	2
3	WONG Jaime	Orange	Nakashima Dojo Judo Club	10		XX		10	2	20	3
4	JOE Zackery	Orange	Burnaby Judo Club	10	10	5	XX	10	4	35	1
5	DEVEREUX Senan	Yellow	Delta Kaigan Judo Club	10				XX	1	10	4

Matches

Match	White			Blue	Result	Time	Code
A-40	JOE Zackery	4	5	DEVEREUX Senan	10 - 0	0:18	IPO
A-41	DELANEY Dakota	1	2	FRIZZELL Linus	0 - 10	0:29	IPO
A-42	WONG Jaime	3	4	JOE Zackery	0 - 5	3:00	WAZ
A-43	DELANEY Dakota	1	5	DEVEREUX Senan	0 - 10	2:38	IPO
A-44	FRIZZELL Linus	2	3	WONG Jaime	1 - 0	3:01	GSD
A-45	DELANEY Dakota	1	4	JOE Zackery	0 - 10	0:12	IPO
A-46	WONG Jaime	3	5	DEVEREUX Senan	10 - 0	0:20	IPO
A-47	FRIZZELL Linus	2	4	JOE Zackery	0 - 10	0:53	IPO
A-48	DELANEY Dakota	1	3	WONG Jaime	0 - 10	1:14	IPO
A-49	FRIZZELL Linus	2	5	DEVEREUX Senan	10 - 0	0:13	IPO

Results

Pos	Name
1	JOE Zackery, Burnaby Judo Club
2	FRIZZELL Linus, Hart Judo Academy
3	WONG Jaime, Nakashima Dojo Judo Club
4	DEVEREUX Senan, Delta Kaigan Judo Club

U14 Male-34kg

Competitors A

#	Name	Grade	Club	1	2	3	Wins	Pts	Pos
1	DEWAR Eli	Green	Prince George Judo Club	XX		5	1	5	2
2	VELONAS Peter	Green	Arashi Judo Club	10	XX	10	2	20	1
3	CAPADOUCA Adam	Orange	Langley Judo Club			XX	0	0	3

Matches A

Match	White	Blue	Result	Time	Code
A-50	DEWAR Eli 1 2	VELONAS Peter	0 - 10	1:45	IPO
A-52	DEWAR Eli 1 3	CAPADOUCA Adam	5 - 0	3:00	WAZ
A-54	VELONAS Peter 2 3	CAPADOUCA Adam	10 - 0	0:39	IPO

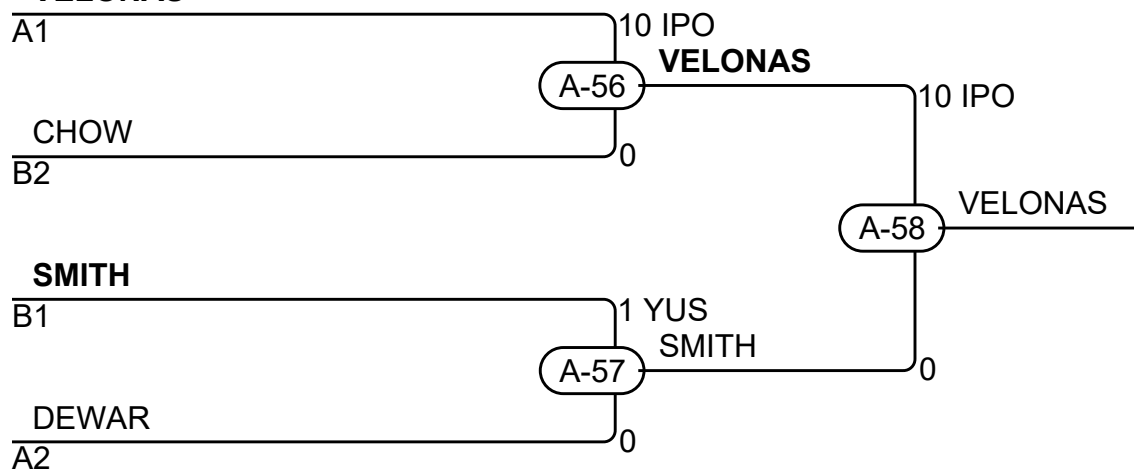
Competitors B

#	Name	Grade	Club	4	5	6	Wins	Pts	Pos
4	CHOW James	Yellow	Nakashima Dojo Judo Club	XX		10	1	10	2
5	SMITH Flynn	Orange	Mile Zero Judo Club	10	XX	10	2	20	1
6	SILUD Krist Lorenz	Yellow	Burnaby Judo Club			XX	0	0	3

Matches B

Match	White	Blue	Result	Time	Code
A-51	CHOW James 4 5	SMITH Flynn	0 - 10	0:33	IPO
A-53	CHOW James 4 6	SILUD Krist Lorenz	10 - 0	0:08	IPO
A-55	SMITH Flynn 5 6	SILUD Krist Lorenz	10 - 0	1:40	IPO

VELONAS



Results

Pos	Name
1	VELONAS Peter, Arashi Judo Club
2	SMITH Flynn, Mile Zero Judo Club
3	CHOW James, Nakashima Dojo Judo Club
3	DEWAR Eli, Prince George Judo Club

U14 Male-38kg

Competitors A

#	Name	Grade	Club	1	2	3	Wins	Pts	Pos
1	COMLEY Kiyoshi	Orange	Vernon Judo Club	XX	5	10	2	15	1
2	BANBURY Lawson	Orange	Creston Judo Club		XX	10	1	10	2
3	CHRISTEN Kaleb	Yellow	Abbotsford Judo Club			XX	0	0	3

Matches A

Match	White	Blue	Result	Time	Code
B-39	COMLEY Kiyoshi 1 2	BANBURY Lawson	5 - 0	3:00	WAZ
B-41	COMLEY Kiyoshi 1 3	CHRISTEN Kaleb	10 - 0	1:49	IPO
B-43	BANBURY Lawson 2 3	CHRISTEN Kaleb	10 - 0	1:09	IPO

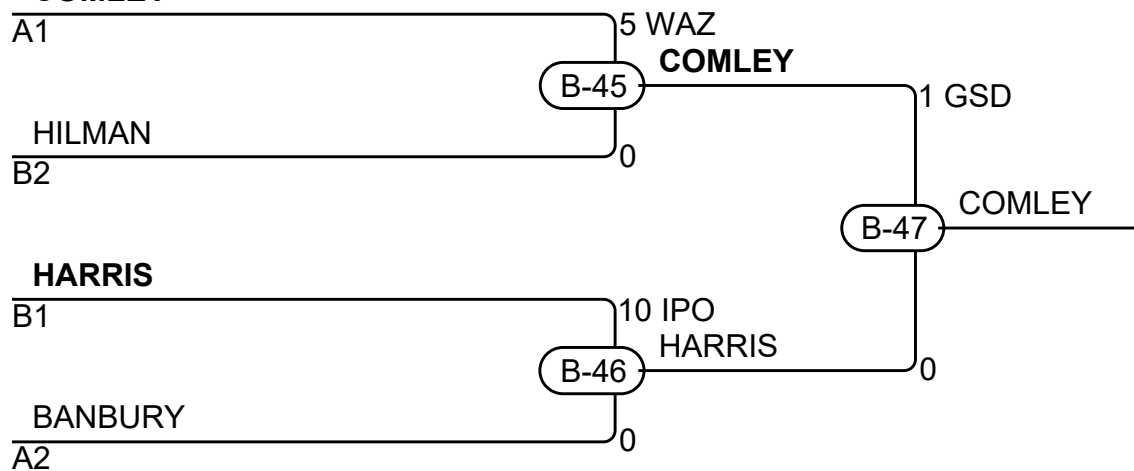
Competitors B

#	Name	Grade	Club	4	5	6	Wins	Pts	Pos
4	HILMAN Corbin	Green	Prince George Judo Club	XX	10		1	10	2
5	FULTON Seth	Orange	Kamloops Judo Club		XX		0	0	3
6	HARRIS Carter	Orange	Abbotsford Judo Club	10	10	XX	2	20	1

Matches B

Match	White	Blue	Result	Time	Code
B-40	HILMAN Corbin 4 5	FULTON Seth	10 - 0	1:33	IPO
B-42	HILMAN Corbin 4 6	HARRIS Carter	0 - 10	0:29	IPO
B-44	FULTON Seth 5 6	HARRIS Carter	0 - 10	0:29	IPO

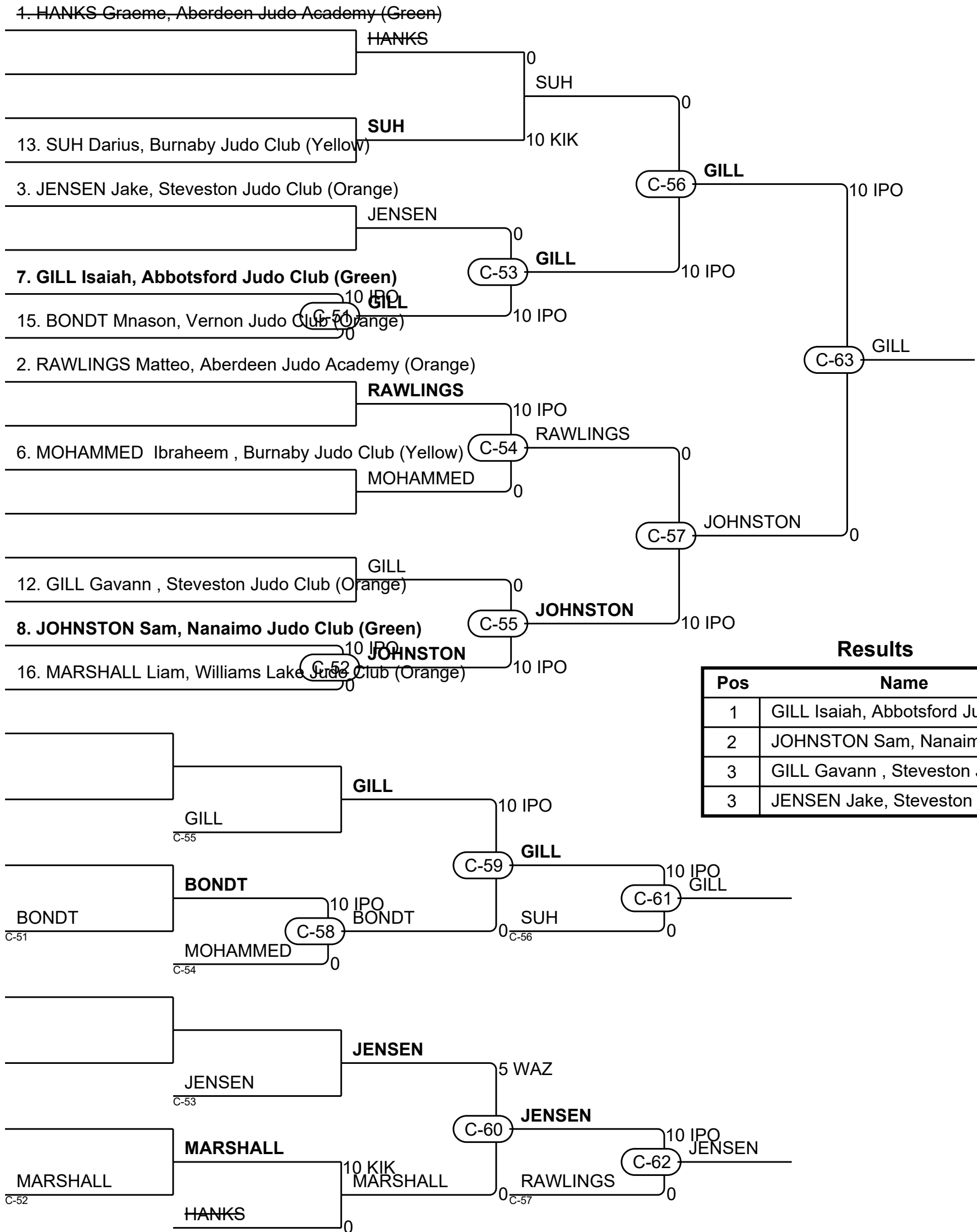
COMLEY



Results

Pos	Name
1	COMLEY Kiyoshi, Vernon Judo Club
2	HARRIS Carter, Abbotsford Judo Club
3	HILMAN Corbin, Prince George Judo Club
3	BANBURY Lawson, Creston Judo Club

U14 Male-42kg



U14 Male-50kg

Competitors A

#	Name	Grade	Club	1	2	3	Wins	Pts	Pos
1	SONG Alexander	Orange	Elite Olympic Martial Arts	XX			0	0	3
2	PENNER Dalton	Yellow	Judo Yukon	10	XX		1	10	2
3	GILL Elijah	Green	Abbotsford Judo Club	10	10	XX	2	20	1

Matches A

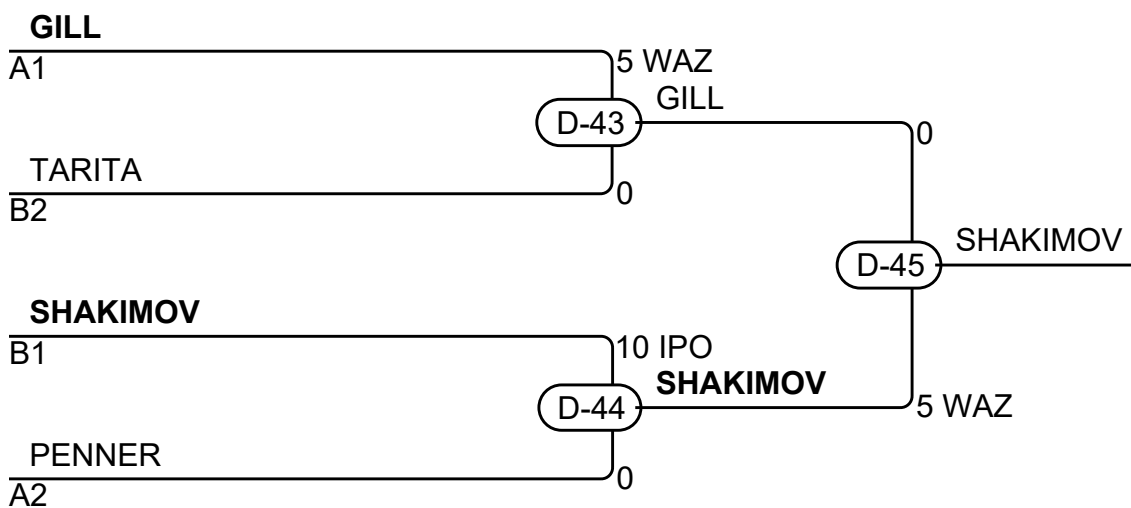
Match	White	Blue	Result	Time	Code
D-37	SONG Alexander 1 2	PENNER Dalton	0 - 10	0:01	FUS
D-39	SONG Alexander 1 3	GILL Elijah	0 - 10	0:01	FUS
D-41	PENNER Dalton 2 3	GILL Elijah	0 - 10	0:12	IPO

Competitors B

#	Name	Grade	Club	4	5	6	Wins	Pts	Pos
4	SHAKIMOV Diar	Green	Burnaby Judo Club	XX	10	10	2	20	1
5	TARITA Dumitru	Orange	Westminster Judo Club		XX	5	1	5	2
6	NEWCOMEN Finn	Orange	Kamloops Judo Club			XX	0	0	3

Matches B

Match	White	Blue	Result	Time	Code
D-38	SHAKIMOV Diar 4 5	TARITA Dumitru	10 - 0	2:31	IPO
D-40	SHAKIMOV Diar 4 6	NEWCOMEN Finn	10 - 0	0:00	IPO
D-42	TARITA Dumitru 5 6	NEWCOMEN Finn	5 - 0	3:00	WAZ



Results

Pos	Name
1	SHAKIMOV Diar, Burnaby Judo Club
2	GILL Elijah, Abbotsford Judo Club
3	TARITA Dumitru, Westminster Judo Club
3	PENNER Dalton, Judo Yukon

U14 Male-55kg

Competitors

#	Name	Grade	Club	1	2	3	4	Wins	Pts	Pos
1	SAMOYLENKO Fedor	Orange	Burnaby Judo Club	XX	10		5	2	15	2
2	ROJAS ARCE Amaro	Yellow	Burnaby Judo Club		XX			0	0	4
3	PARKER BORRERO Ronnell	Orange	Ippon Judo Dojo	5	10	XX	10	3	25	1
4	MOLSKI Matthew	Orange	White Rock Judo Club		10		XX	1	10	3

Matches

Match	White			Blue	Result	Time	Code
D-46	SAMOYLENKO Fedor	1	2	ROJAS ARCE Amaro	10 - 0	0:43	IPO
D-47	PARKER BORRERO Ronnell	3	4	MOLSKI Matthew	10 - 0	0:52	IPO
D-48	SAMOYLENKO Fedor	1	3	PARKER BORRERO Ronnell	0 - 5	3:00	WAZ
D-49	ROJAS ARCE Amaro	2	4	MOLSKI Matthew	0 - 10	1:40	IPO
D-50	SAMOYLENKO Fedor	1	4	MOLSKI Matthew	5 - 0	3:00	WAZ
D-51	ROJAS ARCE Amaro	2	3	PARKER BORRERO Ronnell	0 - 10	2:05	IPO

Results

Pos	Name
1	PARKER BORRERO Ronnell, Ippon Judo Dojo
2	SAMOYLENKO Fedor, Burnaby Judo Club
3	MOLSKI Matthew, White Rock Judo Club

U14 Male-60kg

Competitors

#	Name	Grade	Club	1	2	3	Wins	Pts	Pos
1	UM Brandon	Orange	Steveston Judo Club	XX	10		1	10	2
2	PFLANZ Noah	Yellow	White Rock Judo Club		XX		0	0	3
3	GUEZILLE Suliac	Orange	Police Judo Junior	10	10	XX	2	20	1

Matches

Match	White			Blue	Result	Time	Code
D-52	UM Brandon	1	2	PFLANZ Noah	10 - 0	0:01	FUS
D-53	UM Brandon	1	3	GUEZILLE Suliac	0 - 10	0:30	IPO
D-54	PFLANZ Noah	2	3	GUEZILLE Suliac	0 - 10	0:00	KIK

Results

Pos	Name
1	GUEZILLE Suliac , Police Judo Junior
2	UM Brandon, Steveston Judo Club

U16 Juv. Female-44kg

Competitors

#	Name	Grade	Club	1	2	3	Wins	Pts	Pos
1	BONDT Nadine	Orange	Vernon Judo Club	XX	10		1	10	2
2	DEVEREUX Clodagh	Yellow	Delta Kaigan Judo Club		XX		0	0	3
3	DANILKOV Ekaterina	Orange	Burnaby Judo Club	5	10	XX	2	15	1

Matches

Match	White			Blue	Result	Time	Code
D-1	BONDT Nadine	1	2	DEVEREUX Clodagh	10 - 0	0:41	IPO
D-2	BONDT Nadine	1	3	DANILKOV Ekaterina	0 - 5	4:00	WAZ
D-3	DEVEREUX Clodagh	2	3	DANILKOV Ekaterina	0 - 10	0:41	IPO

Results

Pos	Name
1	DANILKOV Ekaterina, Burnaby Judo Club
2	BONDT Nadine, Vernon Judo Club

U16 Juv. Female-48kg

Competitors

#	Name	Grade	Club	1	2	3	4	Wins	Pts	Pos
1	KO Hailey	Green	Burnaby Judo Club	XX		10		1	10	3
2	LOLIEVA Rakiia	Green	Burnaby Judo Club	10	XX	10	10	3	30	1
3	GUDJONSON Janelle	Orange	Victoria Judo Club			XX		0	0	4
4	MORITA Ayumi	Green	Police Judo Junior	10		5	XX	2	15	2

Matches

Match	White			Blue	Result	Time	Code
D-22	KO Hailey	1	2	LOLIEVA Rakiia	0 - 10	2:49	IPO
D-23	GUDJONSON Janelle	3	4	MORITA Ayumi	0 - 5	3:00	WAZ
D-24	KO Hailey	1	3	GUDJONSON Janelle	10 - 0	0:12	IPO
D-25	LOLIEVA Rakiia	2	4	MORITA Ayumi	10 - 0	4:25	GSI
D-26	KO Hailey	1	4	MORITA Ayumi	0 - 10	0:57	IPO
D-27	LOLIEVA Rakiia	2	3	GUDJONSON Janelle	10 - 0	1:02	IPO

Results

Pos	Name
1	LOLIEVA Rakiia, Burnaby Judo Club
2	MORITA Ayumi, Police Judo Junior
3	KO Hailey, Burnaby Judo Club

U16 Juv. Female-52kg

Competitors

#	Name	Grade	Club	1	2	3	4	Wins	Pts	Pos
1	GREENE Isabella	Green	Nanaimo Judo Club	XX		10		1	10	3
2	MARSTON Marlin	Green	Nanaimo Judo Club	10	XX	5		2	15	2
3	AL-ASHOOR Jasmine	Orange	Arashi Judo Club			XX		0	0	4
4	JENSEN Cassandra	Blue	Shiroumakai	10	10	10	XX	3	30	1

Matches

Match	White			Blue	Result	Time	Code
D-4	GREENE Isabella	1	2	MARSTON Marlin	0 - 10	2:40	IPO
D-5	AL-ASHOOR Jasmine	3	4	JENSEN Cassandra	0 - 10	1:07	IPO
D-6	GREENE Isabella	1	3	AL-ASHOOR Jasmine	10 - 0	0:17	IPO
D-7	MARSTON Marlin	2	4	JENSEN Cassandra	0 - 10	1:54	IPO
D-8	GREENE Isabella	1	4	JENSEN Cassandra	0 - 10	0:30	IPO
D-9	MARSTON Marlin	2	3	AL-ASHOOR Jasmine	5 - 0	3:00	WAZ

Results

Pos	Name
1	JENSEN Cassandra , Shiroumakai
2	MARSTON Marlin, Nanaimo Judo Club
3	GREENE Isabella, Nanaimo Judo Club

U16 Juv. Female-57kg

Competitors A

#	Name	Grade	Club	1	2	3	Wins	Pts	Pos
1	MCCORKELL Loveena	Green	Mile Zero Judo Club	XX	5	10	2	15	1
2	LEE Zoe	Green	Westminster Judo Club		XX	5	1	5	2
3	SIMMONS Elizabeth	Green	Hart Judo Academy			XX	0	0	3

Matches A

Match	White	Blue	Result	Time	Code
D-28	MCCORKELL Loveena 1 2	LEE Zoe	5 - 0	3:00	WAZ
D-30	MCCORKELL Loveena 1 3	SIMMONS Elizabeth	10 - 0	0:06	IPO
D-32	LEE Zoe 2 3	SIMMONS Elizabeth	5 - 0	3:00	WAZ

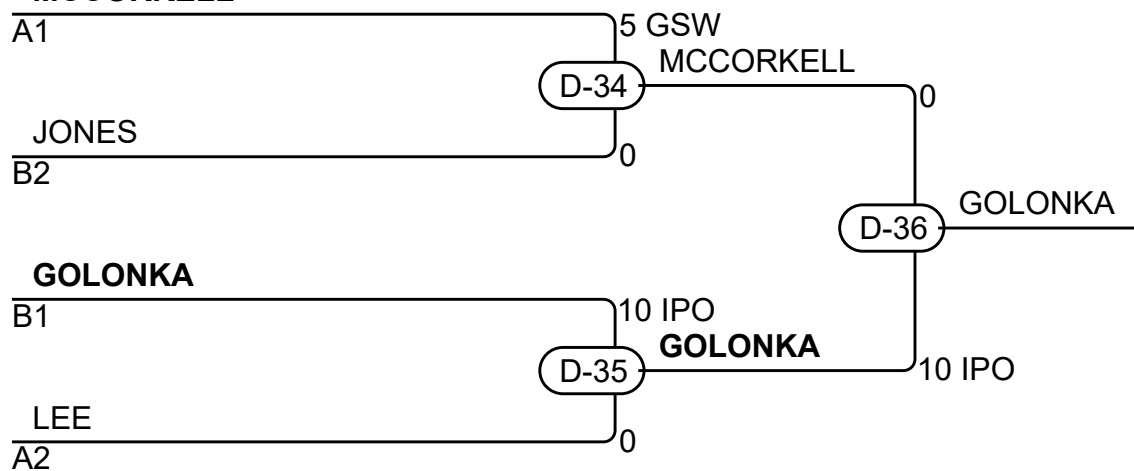
Competitors B

#	Name	Grade	Club	4	5	6	Wins	Pts	Pos
4	JONES Fallon	Green	Prince George Judo Club	XX		5	1	5	2
5	GOLONKA Tara	Orange	Victoria Judo Club	10	XX	10	2	20	1
6	MOORE Tula	Green	Hart Judo Academy			XX	0	0	3

Matches B

Match	White	Blue	Result	Time	Code
D-29	JONES Fallon 4 5	GOLONKA Tara	0 - 10	0:55	IPO
D-31	JONES Fallon 4 6	MOORE Tula	5 - 0	3:25	GSW
D-33	GOLONKA Tara 5 6	MOORE Tula	10 - 0	0:55	IPO

MCCORKELL



Results

Pos	Name
1	GOLONKA Tara, Victoria Judo Club
2	MCCORKELL Loveena, Mile Zero Judo Club
3	JONES Fallon, Prince George Judo Club
3	LEE Zoe, Westminster Judo Club

U16 Juv. Female-63kg

Competitors A

#	Name	Grade	Club	1	2	3	Wins	Pts	Pos
1	AGASSIZ Kaylin	Green	Abbotsford Judo Club	XX	10	10	2	20	1
2	PAREKH Deeya	Orange	Burnaby Judo Club		XX		0	0	3
3	TAI Huixi	Orange	Elite Olympic Martial Arts		10	XX	1	10	2

Matches A

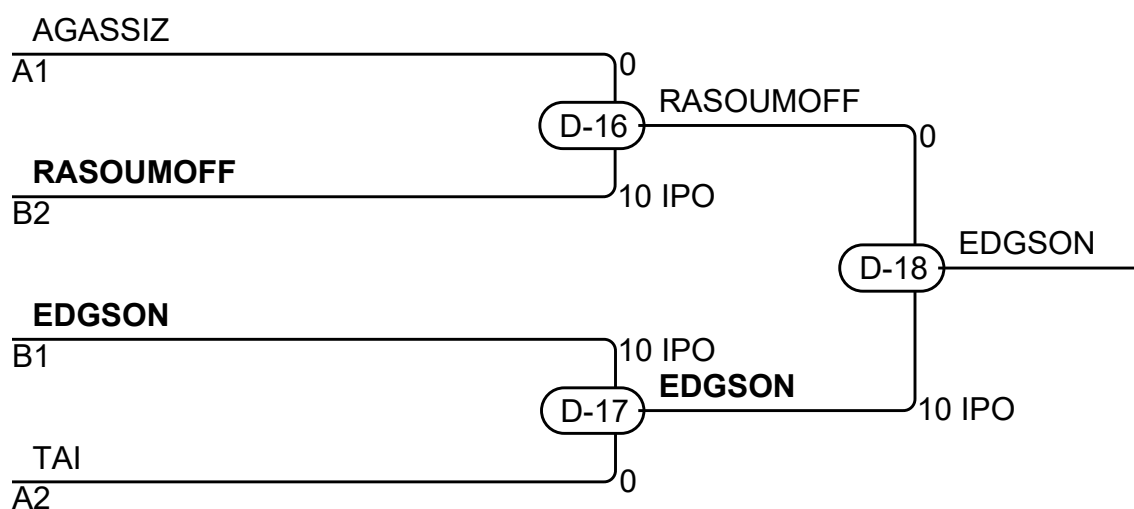
Match	White	Blue	Result	Time	Code
D-10	AGASSIZ Kaylin 1 2	PAREKH Deeya	10 - 0	0:40	IPO
D-12	AGASSIZ Kaylin 1 3	TAI Huixi	10 - 0	2:48	IPO
D-14	PAREKH Deeya 2 3	TAI Huixi	0 - 10	3:00	IPO

Competitors B

#	Name	Grade	Club	4	5	6	Wins	Pts	Pos
4	EDGSON Sydney	Blue	Prince George Judo Club	XX	10	10	2	20	1
5	MORLAND Estelle	Green	Nanaimo Judo Club		XX		0	0	3
6	RASOUMOFF Amanda	Blue	Emerald City Judo		10	XX	1	10	2

Matches B

Match	White	Blue	Result	Time	Code
D-11	EDGSON Sydney 4 5	MORLAND Estelle	10 - 0	1:29	IPO
D-13	EDGSON Sydney 4 6	RASOUMOFF Amanda	10 - 0	0:15	IPO
D-15	MORLAND Estelle 5 6	RASOUMOFF Amanda	0 - 10	0:30	IPO



Results

Pos	Name
1	EDGSON Sydney, Prince George Judo Club
2	RASOUMOFF Amanda, Emerald City Judo
3	AGASSIZ Kaylin, Abbotsford Judo Club
3	TAI Huixi, Elite Olympic Martial Arts

U16 Juv. Female-70kg

Competitors

#	Name	Grade	Club	1	2	3	Wins	Pts	Pos
1	CALDER Mira	Blue	Kokushikai Judo	XX	10	10	2	20	1
2	WEBB Dakota	Orange	Kokushikai Judo		XX		0	0	3
3	BURGESS Willow	Blue	Abbotsford Judo Club		10	XX	1	10	2

Matches

Match	White			Blue	Result	Time	Code
D-19	CALDER Mira	1	2	WEBB Dakota	10 - 0	1:11	IPO
D-20	CALDER Mira	1	3	BURGESS Willow	10 - 0	2:53	IPO
D-21	WEBB Dakota	2	3	BURGESS Willow	0 - 10	1:46	IPO

Results

Pos	Name
1	CALDER Mira, Kokushikai Judo
2	BURGESS Willow , Abbotsford Judo Club

U16 Juv. Male-38kg

Competitors

#	Name	Grade	Club	1	2	3	Wins	Pts	Pos
1	FRIZZELL Ethan	Green	Hart Judo Academy	XX			0	0	3
2	VAN ZYL Andries	Green	Hart Judo Academy	10	XX		1	10	2
3	VELONAS Peter	Green	Arashi Judo Club	10	10	XX	2	20	1

Matches

Match	White			Blue	Result	Time	Code
C-13	FRIZZELL Ethan	1	2	VAN ZYL Andries	0 - 10	1:56	IPO
C-14	FRIZZELL Ethan	1	3	VELONAS Peter	0 - 10	0:55	IPO
C-15	VAN ZYL Andries	2	3	VELONAS Peter	0 - 10	0:50	IPO

Results

Pos	Name
1	VELONAS Peter, Arashi Judo Club
2	VAN ZYL Andries , Hart Judo Academy

U16 Juv. Male-42kg

Competitors A

#	Name	Grade	Club	1	2	3	4	Wins	Pts	Pos
1	MCINTYRE Gaberiel	Green	Kokushikai Judo	XX		10	10	2	20	2
2	CYR Spencer	Green	Abbotsford Judo Club	1	XX	10	10	3	21	1
3	HANKS Graeme	Green	Aberdeen Judo Academy			XX		0	0	4
4	RASOUMOFF Evan	Blue	Emerald City Judo			10	XX	1	10	3

Matches A

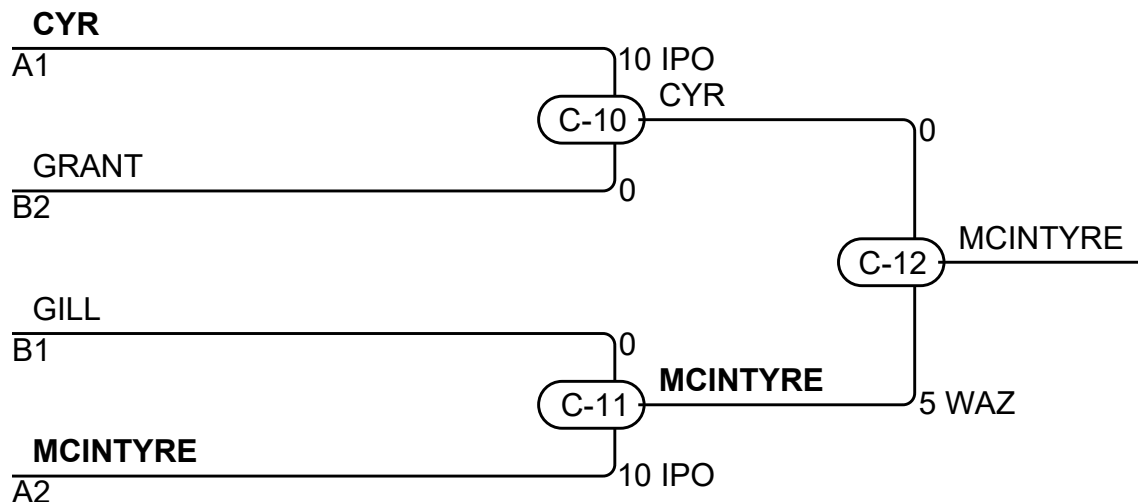
Match	White	Blue	Result	Time	Code
C-1	MCINTYRE Gaberiel 1 2	CYR Spencer	0 - 1	3:52	GSD
C-2	HANKS Graeme 3 4	RASOUMOFF Evan	0 - 10	0:00	KIK
C-4	MCINTYRE Gaberiel 1 3	HANKS Graeme	10 - 0	0:00	KIK
C-5	CYR Spencer 2 4	RASOUMOFF Evan	10 - 0	0:54	IPO
C-7	MCINTYRE Gaberiel 1 4	RASOUMOFF Evan	10 - 0	1:57	IPO
C-8	CYR Spencer 2 3	HANKS Graeme	10 - 0	0:00	KIK

Competitors B

#	Name	Grade	Club	5	6	7	Wins	Pts	Pos
5	GILL Isaiah	Green	Abbotsford Judo Club	XX	10	10	2	20	1
6	GRANT Eli	Green	Kokushikai Judo		XX	10	1	10	2
7	HARCOTT Benjamin	Orange	Kamloops Judo Club			XX	0	0	3

Matches B

Match	White	Blue	Result	Time	Code
C-3	GILL Isaiah 5 6	GRANT Eli	10 - 0	1:55	IPO
C-6	GILL Isaiah 5 7	HARCOTT Benjamin	10 - 0	0:16	IPO
C-9	GRANT Eli 6 7	HARCOTT Benjamin	10 - 0	2:14	IPO



Results

Pos	Name
1	MCINTYRE Gaberiel, Kokushikai Judo
2	CYR Spencer, Abbotsford Judo Club
3	GRANT Eli, Kokushikai Judo
3	GILL Isaiah, Abbotsford Judo Club

U16 Juv. Male-46kg

Competitors A

#	Name	Grade	Club	1	2	3	Wins	Pts	Pos
1	GILL Elijah	Green	Abbotsford Judo Club	XX	10	10	2	20	1
2	STEGARU Tudor	Yellow	Burnaby Judo Club		XX	10	1	10	2
3	PENNER Dalton	Yellow	Judo Yukon			XX	0	0	3

Matches A

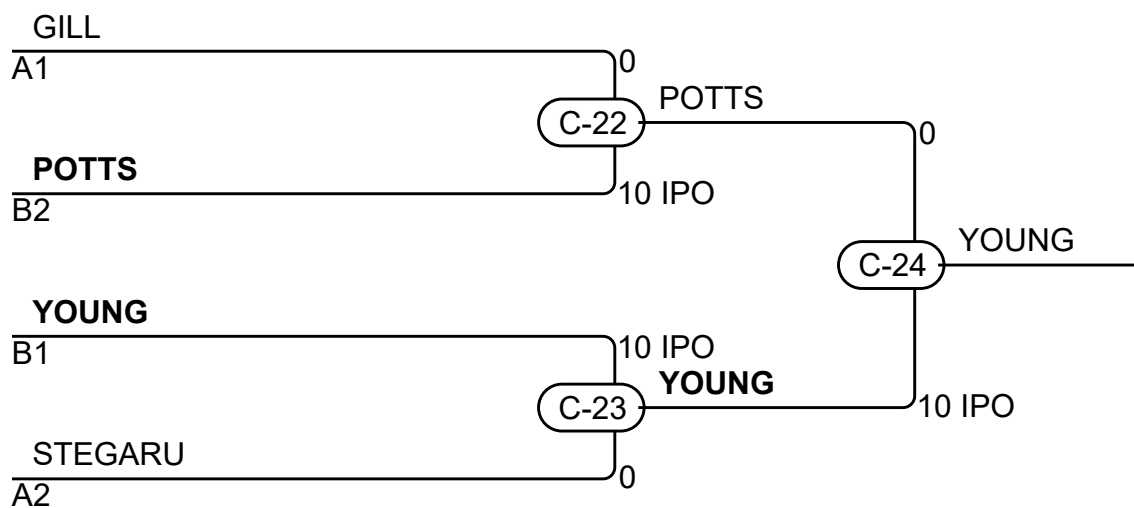
Match	White	Blue	Result	Time	Code
C-16	GILL Elijah	1 2 STEGARU Tudor	10 - 0	0:28	IPO
C-18	GILL Elijah	1 3 PENNER Dalton	10 - 0	0:00	KIK
C-20	STEGARU Tudor	2 3 PENNER Dalton	10 - 0	0:00	KIK

Competitors B

#	Name	Grade	Club	4	5	6	Wins	Pts	Pos
4	DARMADI Joshua	Green	Nanaimo Judo Club	XX			0	0	3
5	YOUNG Asher	Blue	Hart Judo Academy	5	XX	10	2	15	1
6	POTTS Marcus	Green	Shidokai Judo	5		XX	1	5	2

Matches B

Match	White	Blue	Result	Time	Code
C-17	DARMADI Joshua	4 5 YOUNG Asher	0 - 5	3:00	WAZ
C-19	DARMADI Joshua	4 6 POTTS Marcus	0 - 5	3:00	WAZ
C-21	YOUNG Asher	5 6 POTTS Marcus	10 - 0	3:52	HAN



Results

Pos	Name
1	YOUNG Asher, Hart Judo Academy
2	POTTS Marcus, Shidokai Judo
3	GILL Elijah, Abbotsford Judo Club
3	STEGARU Tudor, Burnaby Judo Club

U16 Juv. Male-50kg

Competitors

#	Name	Grade	Club	1	2	3	4	5	Wins	Pts	Pos
1	ORDANO Alex	Green	Steveston Judo Club	XX			10		1	10	4
2	COMEAU Dylan	Green	Abbotsford Judo Club	10	XX	10	10	5	4	35	1
3	SHAKIMOV Diar	Green	Burnaby Judo Club	10		XX		5	2	15	3
4	KAMSTRA Isaac	Blue	Hart Judo Academy			10	XX		1	10	5
5	PATERSON Gabriel	Green	Hart Judo Academy	10			10	XX	2	20	2

Matches

Match	White			Blue	Result	Time	Code
A-17	KAMSTRA Isaac	4	5	PATERSON Gabriel	0 - 10	0:52	IPO
A-18	ORDANO Alex	1	2	COMEAU Dylan	0 - 10	2:01	IPO
A-19	SHAKIMOV Diar	3	4	KAMSTRA Isaac	0 - 10	0:33	IPO
A-20	ORDANO Alex	1	5	PATERSON Gabriel	0 - 10	1:31	IPO
A-21	COMEAU Dylan	2	3	SHAKIMOV Diar	10 - 0	0:39	IPO
A-22	ORDANO Alex	1	4	KAMSTRA Isaac	10 - 0	2:16	IPO
A-23	SHAKIMOV Diar	3	5	PATERSON Gabriel	5 - 0	3:00	WAZ
A-24	COMEAU Dylan	2	4	KAMSTRA Isaac	10 - 0	0:21	IPO
A-25	ORDANO Alex	1	3	SHAKIMOV Diar	0 - 10	1:30	IPO
A-26	COMEAU Dylan	2	5	PATERSON Gabriel	5 - 0	3:00	WAZ

Results

Pos	Name
1	COMEAU Dylan, Abbotsford Judo Club
2	PATERSON Gabriel, Hart Judo Academy
3	SHAKIMOV Diar, Burnaby Judo Club
4	ORDANO Alex, Steveston Judo Club
5	KAMSTRA Isaac, Hart Judo Academy

U16 Juv. Male-55kg

Competitors A

#	Name	Grade	Club	1	2	3	4	Wins	Pts	Pos
1	GREENWOOD Aydin	Orange	Hart Judo Academy	XX		10		1	10	3
2	WONG Brendan	Green	Kokushikai Judo	10	XX	10	5	3	25	1
3	MARSHALL Sean	Green	Williams Lake Judo Club			XX		0	0	4
4	WONG Martin	Orange	Burnaby Judo Club	10		10	XX	2	20	2

Matches A

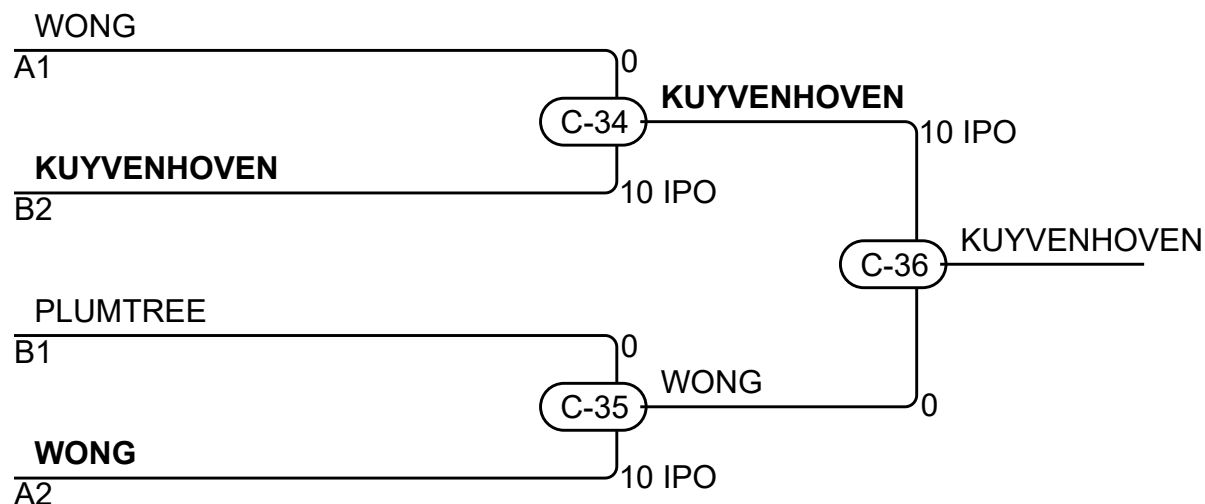
Match	White	Blue	Result	Time	Code
C-25	GREENWOOD Aydin 1 2	WONG Brendan	0 - 10	0:38	IPO
C-26	MARSHALL Sean 3 4	WONG Martin	0 - 10	0:31	IPO
C-28	GREENWOOD Aydin 1 3	MARSHALL Sean	10 - 0	0:10	IPO
C-29	WONG Brendan 2 4	WONG Martin	5 - 0	3:00	WAZ
C-31	GREENWOOD Aydin 1 4	WONG Martin	0 - 10	0:07	IPO
C-32	WONG Brendan 2 3	MARSHALL Sean	10 - 0	0:36	IPO

Competitors B

#	Name	Grade	Club	5	6	7	Wins	Pts	Pos
5	HILL Brandon	Yellow	Hart Judo Academy	XX			0	0	3
6	KUYVENHOVEN Josh	Green	Kokushikai Judo	10	XX		1	10	2
7	PLUMTREE Nicholas	Blue	Aberdeen Judo Academy	10	10	XX	2	20	1

Matches B

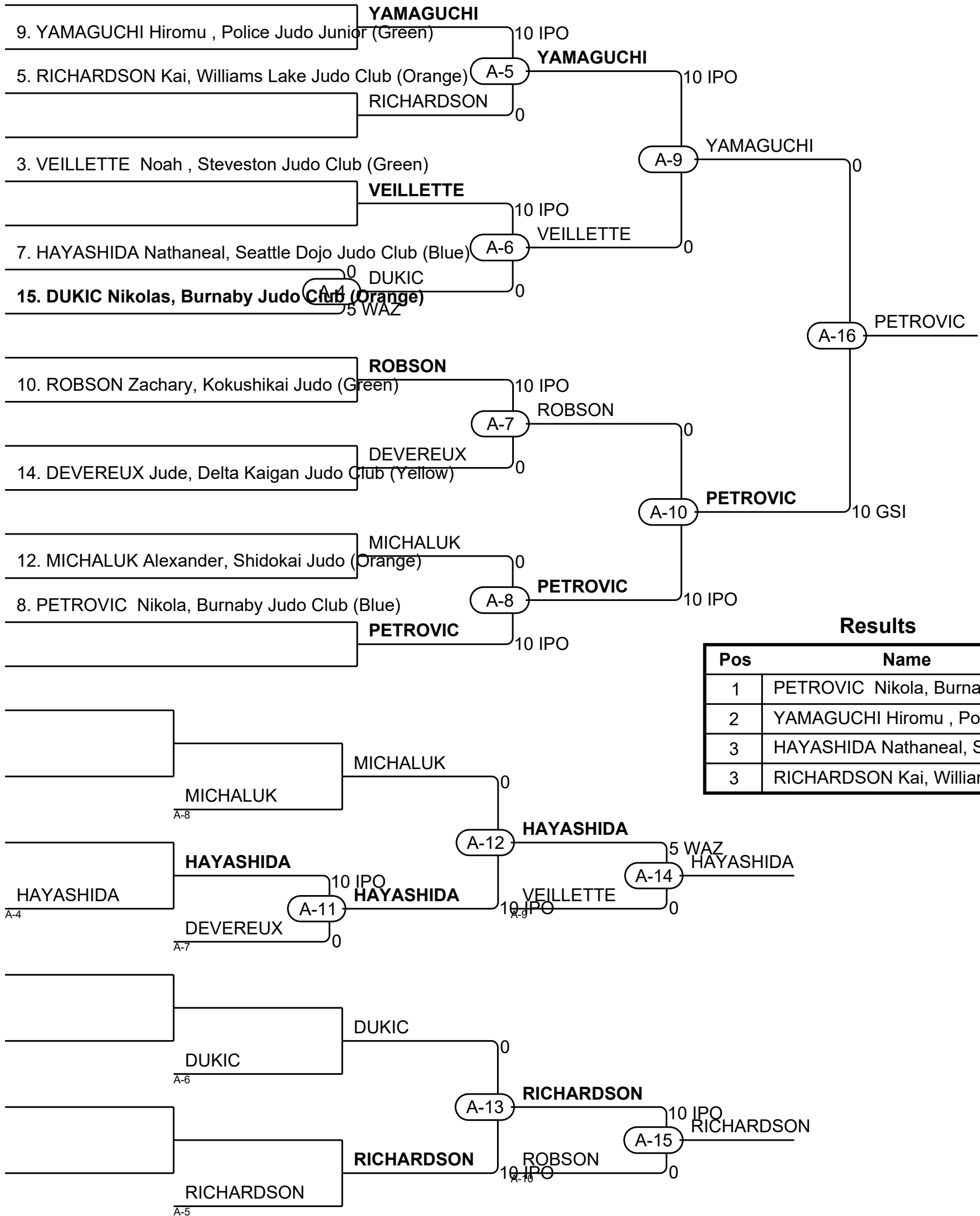
Match	White	Blue	Result	Time	Code
C-27	HILL Brandon 5 6	KUYVENHOVEN Josh	0 - 10	0:58	IPO
C-30	HILL Brandon 5 7	PLUMTREE Nicholas	0 - 10	2:08	HAN
C-33	KUYVENHOVEN Josh 6 7	PLUMTREE Nicholas	0 - 10	2:59	IPO



Results

Pos	Name
1	KUYVENHOVEN Josh, Kokushikai Judo
2	WONG Martin, Burnaby Judo Club
3	WONG Brendan, Kokushikai Judo
3	PLUMTREE Nicholas, Aberdeen Judo Academy

U16 Juv. Male-66kg



U16 Juv. Male+73kg

Competitors

#	Name	Grade	Club	1	2	3	Wins	Pts	Pos
1	GUEZILLE Briac	Orange	Police Judo Junior	XX			0	0	3
2	NEUFELD William	Yellow	Abbotsford Judo Club	1	XX		1	1	2
3	MCCALLUM Alex	Green	Victoria Judo Club	10	10	XX	2	20	1

Matches

Match	White			Blue	Result	Time	Code
A-1	GUEZILLE Briac	1	2	NEUFELD William	0 - 1	5:11	GSD
A-2	GUEZILLE Briac	1	3	MCCALLUM Alex	0 - 10	0:20	IPO
A-3	NEUFELD William	2	3	MCCALLUM Alex	0 - 10	1:24	IPO

Results

Pos	Name
1	MCCALLUM Alex, Victoria Judo Club
2	NEUFELD William, Abbotsford Judo Club

U18 Cadet Female-48kg

Competitors A

#	Name	Grade	Club	1	2	3	4	Wins	Pts	Pos
1	DANILKOV Klavdia	Green	Burnaby Judo Club	XX		10	10	2	20	2
2	GOTO Tami	Blue	Prince George Judo Club	5	XX	10	10	3	25	1
3	KAMSTRA Kimiko	Blue	Hart Judo Academy			XX	10	1	10	3
4	LAM Maribel	Yellow	Seattle Dojo Judo Club				XX	0	0	4

Matches A

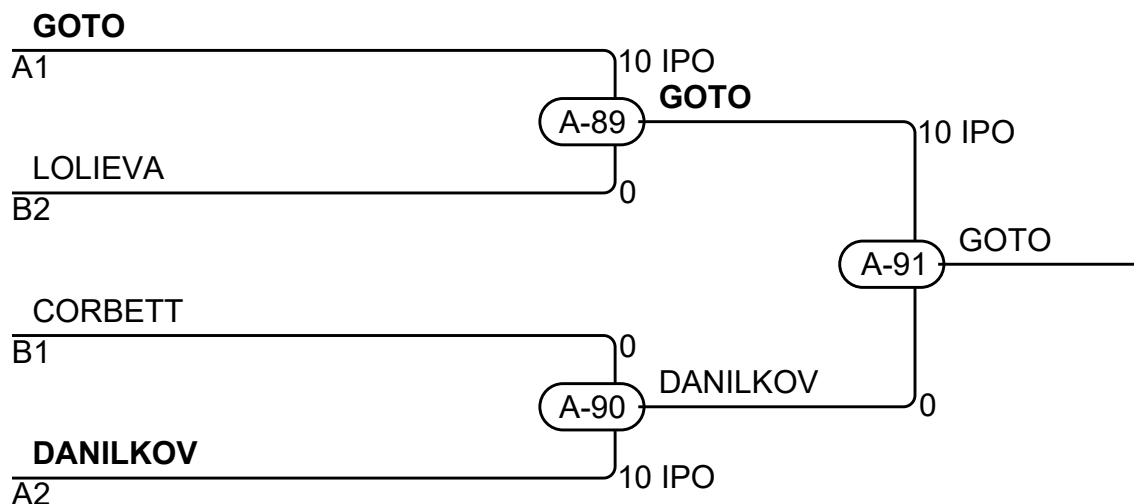
Match	White	Blue	Result	Time	Code
A-80	DANILKOV Klavdia 1 2	GOTO Tami	0 - 5	4:00	WAZ
A-81	KAMSTRA Kimiko 3 4	LAM Maribel	10 - 0	0:16	IPO
A-83	DANILKOV Klavdia 1 3	KAMSTRA Kimiko	10 - 0	1:35	IPO
A-84	GOTO Tami 2 4	LAM Maribel	10 - 0	0:22	IPO
A-86	DANILKOV Klavdia 1 4	LAM Maribel	10 - 0	0:09	IPO
A-87	GOTO Tami 2 3	KAMSTRA Kimiko	10 - 0	3:18	IPO

Competitors B

#	Name	Grade	Club	5	6	7	Wins	Pts	Pos
5	KO Hailey	Green	Burnaby Judo Club	XX			0	0	3
6	CORBETT Brooke	Blue	Hart Judo Academy	10	XX	10	2	20	1
7	LOLIEVA Rakiia	Green	Burnaby Judo Club	10		XX	1	10	2

Matches B

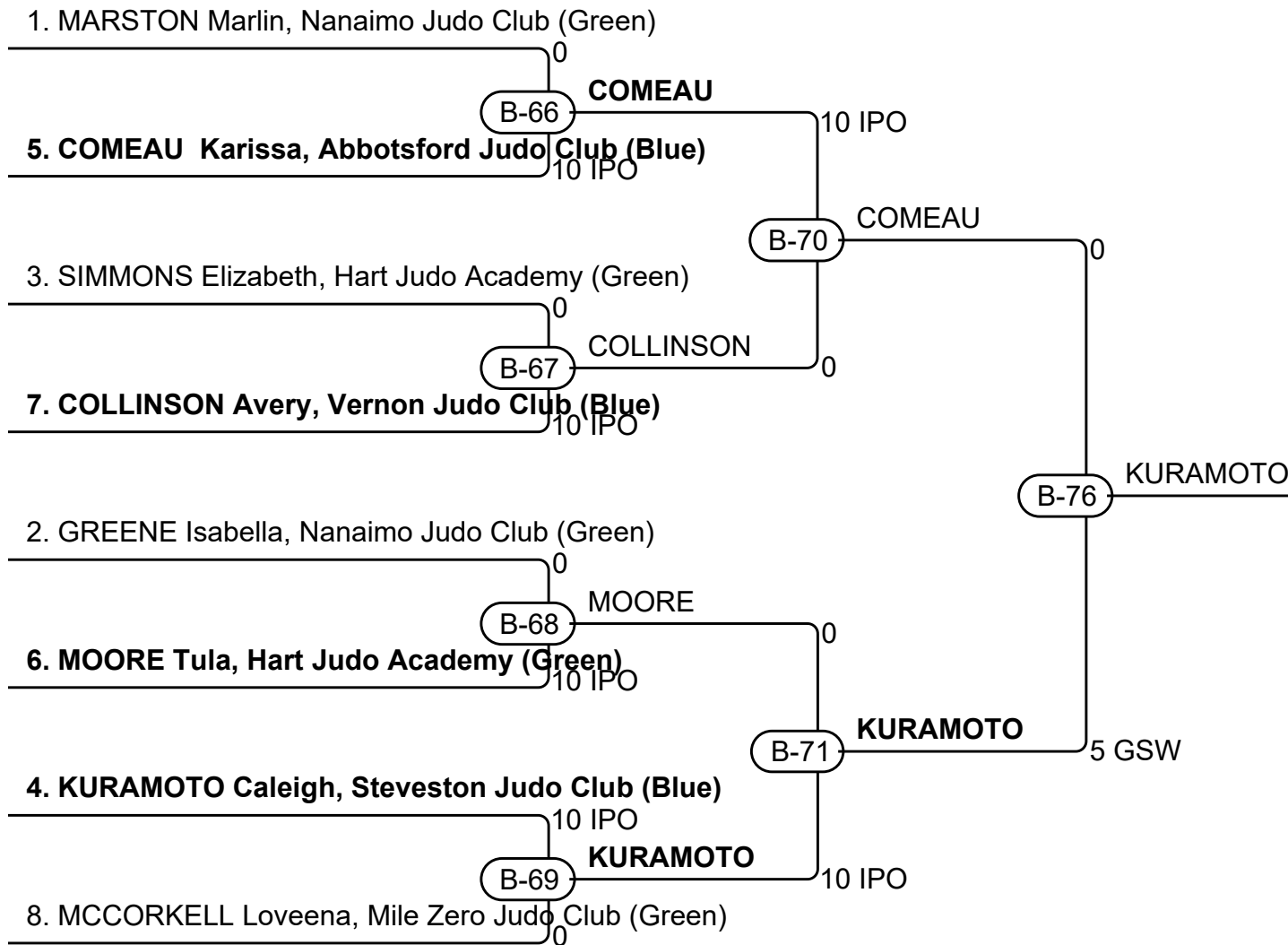
Match	White	Blue	Result	Time	Code
A-82	KO Hailey 5 6	CORBETT Brooke	0 - 10	0:48	IPO
A-85	KO Hailey 5 7	LOLIEVA Rakiia	0 - 10	1:56	IPO
A-88	CORBETT Brooke 6 7	LOLIEVA Rakiia	10 - 0	3:06	IPO



Results

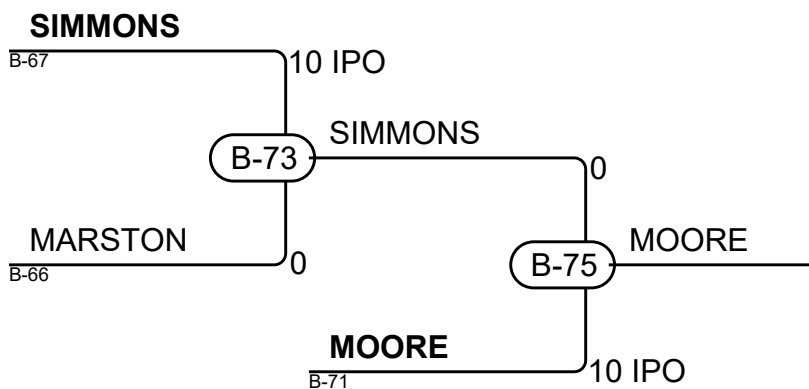
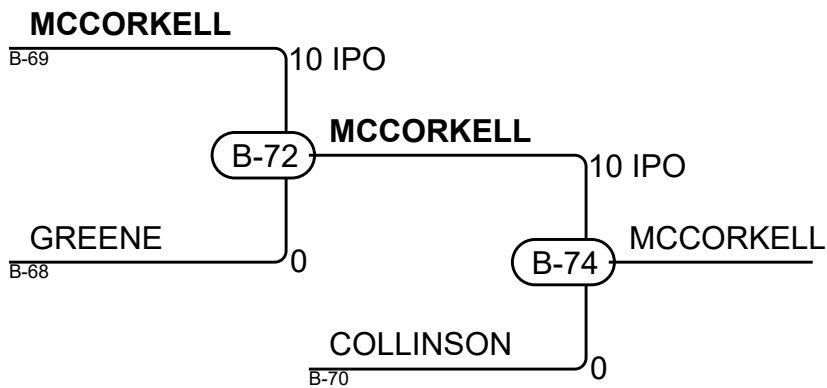
Pos	Name
1	GOTO Tami, Prince George Judo Club
2	DANILKOV Klavdia, Burnaby Judo Club
3	LOLIEVA Rakiia, Burnaby Judo Club
3	CORBETT Brooke, Hart Judo Academy

U18 Cadet Female-57kg



Results

Pos	Name
1	KURAMOTO Caleigh, Steveston Judo Club (Blue)
2	COMEAU Karissa, Abbotsford Judo Club (Blue)
3	MCCORKELL Loveena, Mile Zero Judo Club (Green)
3	MOORE Tula, Hart Judo Academy (Green)



U18 Cadet Female-63kg

Competitors A

#	Name	Grade	Club	1	2	3	4	Wins	Pts	Pos
1	MARTIN Marlene	Blue	Parkland Judo Academy	XX	10	10		2	20	2
2	MORLAND Estelle	Green	Nanaimo Judo Club		XX			0	0	4
3	ENDEAN Kiara	Blue	Aberdeen Judo Academy		10	XX		1	10	3
4	WARNER Jordann	Blue	Campbell River Judo Club	10	10	5	XX	3	25	1

Matches A

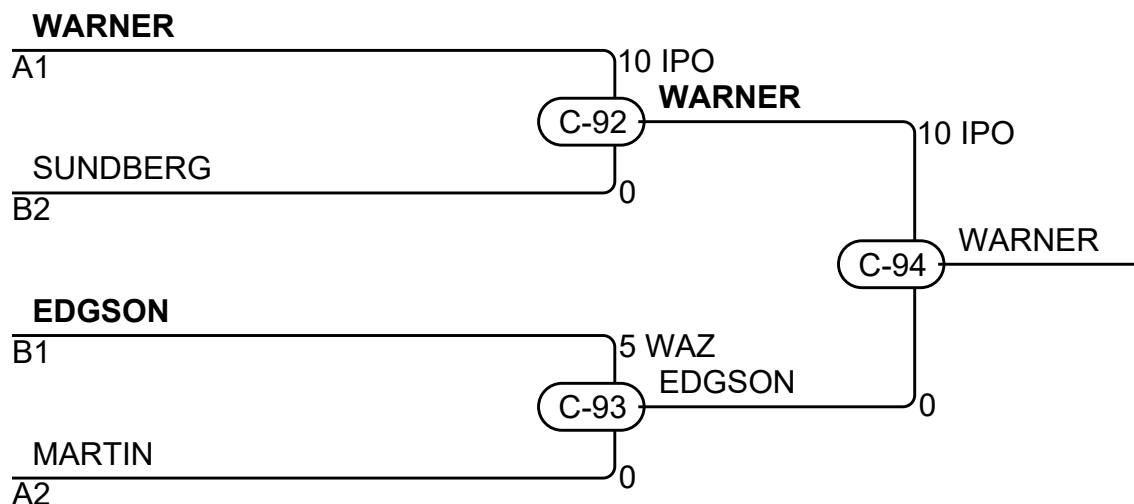
Match	White	Blue	Result	Time	Code
C-83	MARTIN Marlene 1 2	MORLAND Estelle	10 - 0	1:20	IPO
C-84	ENDEAN Kiara 3 4	WARNER Jordann	0 - 5	4:00	WAZ
C-86	MARTIN Marlene 1 3	ENDEAN Kiara	10 - 0	1:18	IPO
C-87	MORLAND Estelle 2 4	WARNER Jordann	0 - 10	1:27	IPO
C-89	MARTIN Marlene 1 4	WARNER Jordann	0 - 10	1:51	IPO
C-90	MORLAND Estelle 2 3	ENDEAN Kiara	0 - 10	1:39	IPO

Competitors B

#	Name	Grade	Club	5	6	7	Wins	Pts	Pos
5	EDGSON Sydney	Blue	Prince George Judo Club	XX	5	10	2	15	1
6	SUNDBERG Robin	Green	Parkland Judo Academy		XX	10	1	10	2
7	AGASSIZ Kaylin	Green	Abbotsford Judo Club			XX	0	0	3

Matches B

Match	White	Blue	Result	Time	Code
C-85	EDGSON Sydney 5 6	SUNDBERG Robin	5 - 0	0:00	WAZ
C-88	EDGSON Sydney 5 7	AGASSIZ Kaylin	10 - 0	0:32	IPO
C-91	SUNDBERG Robin 6 7	AGASSIZ Kaylin	10 - 0	0:49	IPO



Results

Pos	Name
1	WARNER Jordann , Campbell River Judo Club
2	EDGSON Sydney, Prince George Judo Club
3	SUNDBERG Robin, Parkland Judo Academy
3	MARTIN Marlene, Parkland Judo Academy

U18 Cadet Male-50kg

Competitors A

#	Name	Grade	Club	1	2	3	Wins	Pts	Pos
1	KAMSTRA Isaac	Blue	Hart Judo Academy	XX		10	1	10	2
2	JOE Maximus	Blue	Burnaby Judo Club	10	XX	10	2	20	1
3	YOUNG Asher	Blue	Hart Judo Academy			XX	0	0	3

Matches A

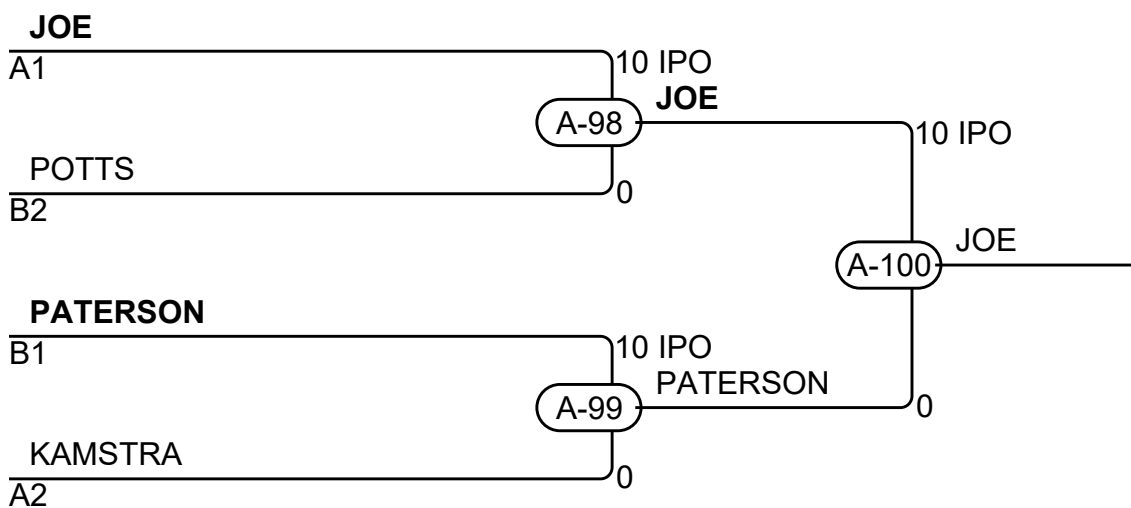
Match	White	Blue	Result	Time	Code
A-92	KAMSTRA Isaac	1 2 JOE Maximus	0 - 10	0:00	IPO
A-94	KAMSTRA Isaac	1 3 YOUNG Asher	10 - 0	1:49	IPO
A-96	JOE Maximus	2 3 YOUNG Asher	10 - 0	0:57	IPO

Competitors B

#	Name	Grade	Club	4	5	6	Wins	Pts	Pos
4	BONDT Thaddeus	Green	Vernon Judo Club	XX			0	0	3
5	PATERSON Gabriel	Green	Hart Judo Academy	10	XX	10	2	20	1
6	POTTS Marcus	Green	Shidokai Judo	10		XX	1	10	2

Matches B

Match	White	Blue	Result	Time	Code
A-93	BONDT Thaddeus	4 5 PATERSON Gabriel	0 - 10	1:28	IPO
A-95	BONDT Thaddeus	4 6 POTTS Marcus	0 - 10	1:06	IPO
A-97	PATERSON Gabriel	5 6 POTTS Marcus	10 - 0	0:55	IPO



Results

Pos	Name
1	JOE Maximus, Burnaby Judo Club
2	PATERSON Gabriel, Hart Judo Academy
3	POTTS Marcus, Shidokai Judo
3	KAMSTRA Isaac, Hart Judo Academy

U18 Cadet Male-55kg

Competitors A

#	Name	Grade	Club	1	2	3	Wins	Pts	Pos
1	YAMAWAKI Kaito	Green	Steveston Judo Club	XX		10	1	10	2
2	MCCABE Caine	Blue	Kelowna Judo Club	10	XX	10	2	20	1
3	GREENWOOD Aydin	Orange	Hart Judo Academy			XX	0	0	3

Matches A

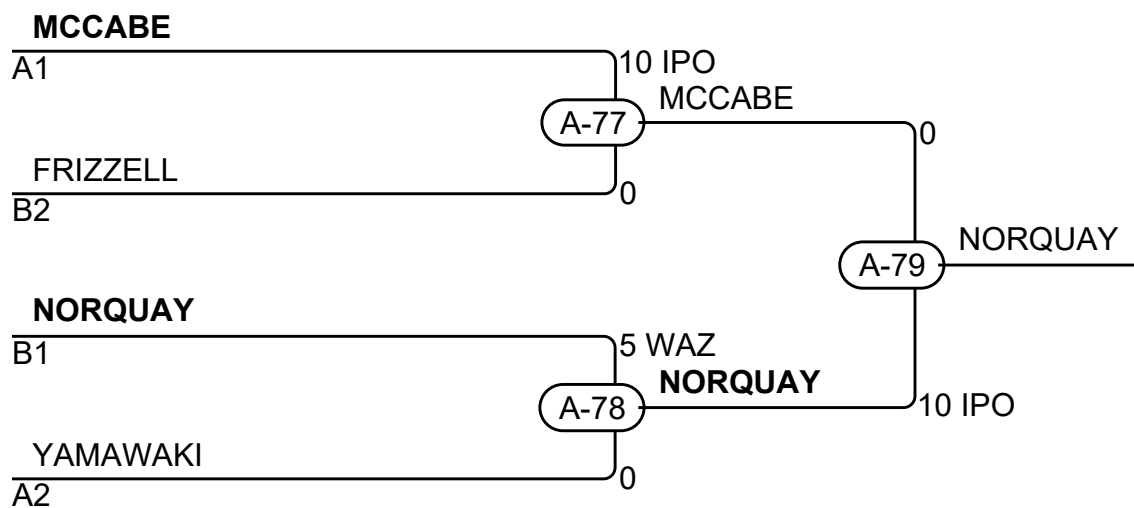
Match	White	Blue	Result	Time	Code
A-71	YAMAWAKI Kaito 1 2	MCCABE Caine	0 - 10	3:03	IPO
A-73	YAMAWAKI Kaito 1 3	GREENWOOD Aydin	10 - 0	0:17	IPO
A-75	MCCABE Caine 2 3	GREENWOOD Aydin	10 - 0	0:59	IPO

Competitors B

#	Name	Grade	Club	4	5	6	Wins	Pts	Pos
4	NORQUAY Graham	Blue	Invermere Judo Club	XX	5	10	2	15	1
5	FRIZZELL Ioan	Blue	Hart Judo Academy		XX	10	1	10	2
6	KUYVENHOVEN Josh	Green	Kokushikai Judo			XX	0	0	3

Matches B

Match	White	Blue	Result	Time	Code
A-72	NORQUAY Graham 4 5	FRIZZELL Ioan	5 - 0	4:00	WAZ
A-74	NORQUAY Graham 4 6	KUYVENHOVEN Josh	10 - 0	0:00	KIK
A-76	FRIZZELL Ioan 5 6	KUYVENHOVEN Josh	10 - 0	0:00	KIK



Results

Pos	Name
1	NORQUAY Graham, Invermere Judo Club
2	MCCABE Caine, Kelowna Judo Club
3	FRIZZELL Ioan, Hart Judo Academy
3	YAMAWAKI Kaito, Steveston Judo Club

U18 Cadet Male-60kg

Competitors

#	Name	Grade	Club	1	2	3	4	Wins	Pts	Pos
1	YOUNG Maxwell	Blue	Hart Judo Academy	XX			5	1	5	2
2	SCHENK Emil	Blue	Burnaby Judo Club	10	XX		10	2	20	1
3	GRANT Jake	Green	Kokushikai Judo			XX		0	0	4
4	LEATHERDALE Ben	Blue	Kelowna Judo Club				XX	0	0	3

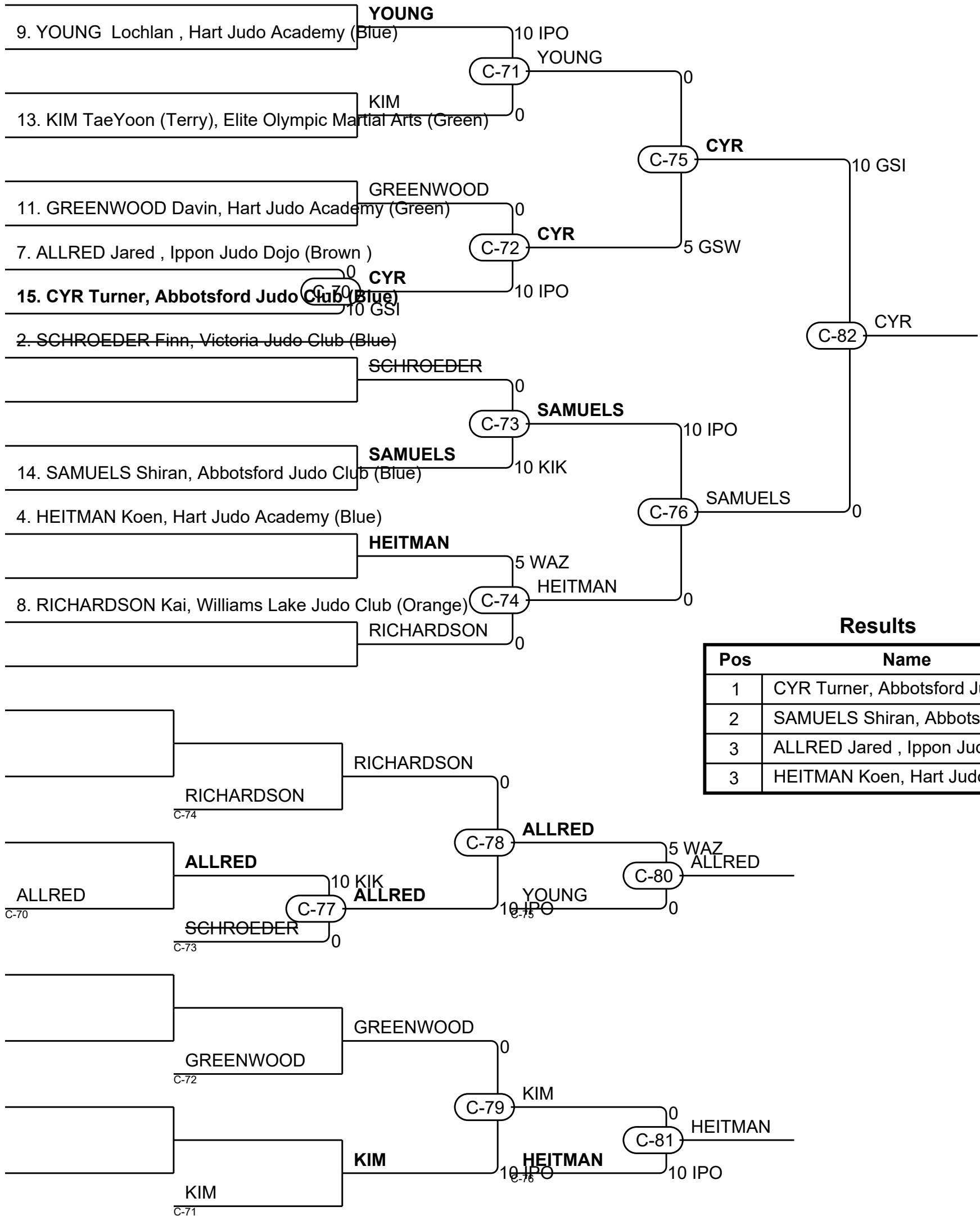
Matches

Match	White		Blue		Result	Time	Code
B-60	YOUNG Maxwell	1	2	SCHENK Emil	0 - 10	4:00	IPO
2	GRANT Jake	3	4	LEATHERDALE Ben			
3	YOUNG Maxwell	1	3	GRANT Jake			
B-61	SCHENK Emil	2	4	LEATHERDALE Ben	10 - 0	2:11	IPO
B-62	YOUNG Maxwell	1	4	LEATHERDALE Ben	5 - 0	4:00	WAZ
6	SCHENK Emil	2	3	GRANT Jake			

Results

Pos	Name
1	SCHENK Emil, Burnaby Judo Club
2	YOUNG Maxwell , Hart Judo Academy

U18 Cadet Male-66kg



U18 Cadet Male-73kg

Competitors A

#	Name	Grade	Club	1	2	3	4	Wins	Pts	Pos
1	POLLON Dryden	Green	Kamloops Judo Club	XX				0	0	4
2	VEENENDAAL Carter	Blue	Abbotsford Judo Club	10	XX	10	10	3	30	1
3	ORDANO Dylan	Blue	Steveston Judo Club	10		XX	5	2	15	2
4	KINSELLA Gabriel	Orange	Kokushikai Judo	10			XX	1	10	3

Matches A

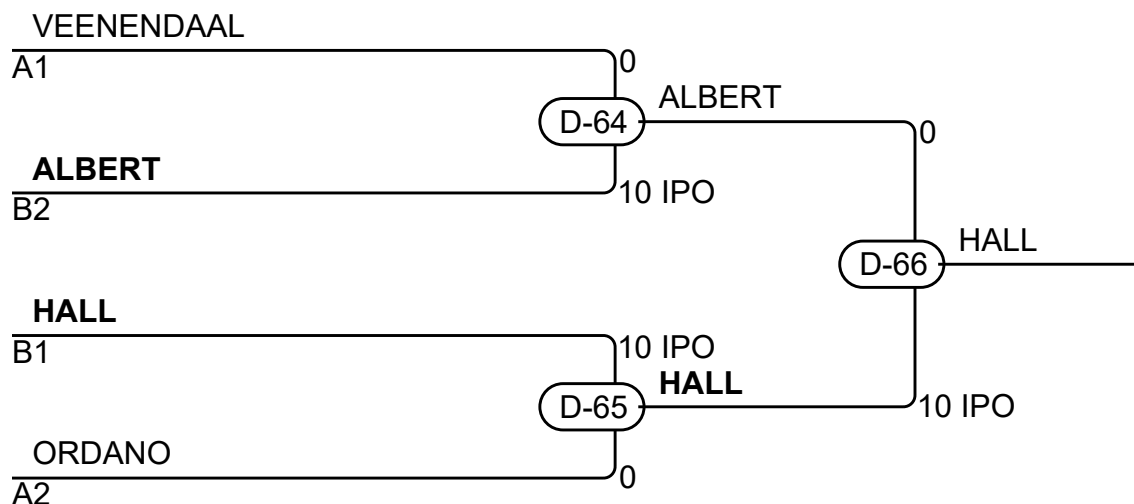
Match	White	Blue	Result	Time	Code
D-55	POLLON Dryden 1 2	VEENENDAAL Carter	0 - 10	0:00	KIK
D-56	ORDANO Dylan 3 4	KINSELLA Gabriel	5 - 0	4:00	WAZ
D-58	POLLON Dryden 1 3	ORDANO Dylan	0 - 10	0:00	KIK
D-59	VEENENDAAL Carter 2 4	KINSELLA Gabriel	10 - 0	1:20	IPO
D-61	POLLON Dryden 1 4	KINSELLA Gabriel	0 - 10	0:00	KIK
D-62	VEENENDAAL Carter 2 3	ORDANO Dylan	10 - 0	1:01	IPO

Competitors B

#	Name	Grade	Club	5	6	7	Wins	Pts	Pos
5	GAUW Jaden	Green	Burnaby Judo Club	XX		5	1	5	3
6	ALBERT Joseph	Green	Creston Judo Club	10	XX		1	10	2
7	HALL Wylon	Blue	Kokoro Judo Association		10	XX	1	10	1

Matches B

Match	White	Blue	Result	Time	Code
D-57	GAUW Jaden 5 6	ALBERT Joseph	0 - 10	0:39	IPO
D-60	GAUW Jaden 5 7	HALL Wylon	5 - 0	4:00	WAZ
D-63	ALBERT Joseph 6 7	HALL Wylon	0 - 10	1:43	IPO



Results

Pos	Name
1	HALL Wylon, Kokoro Judo Association
2	ALBERT Joseph , Creston Judo Club
3	VEENENDAAL Carter, Abbotsford Judo Club
3	ORDANO Dylan, Steveston Judo Club

U18 Cadet Male+90kg

Competitors

#	Name	Grade	Club	1	2	3	Wins	Pts	Pos
1	HAUGHTON Benjamin	Blue	Kamloops Judo Club	XX	10	10	2	20	1
2	KIM Guen Mo (Andrew)	Black	Elite Olympic Martial Arts		XX	10	1	10	2
3	GHASUMYAN Tigran	Green	Steveston Judo Club			XX	0	0	3

Matches

Match	White			Blue	Result	Time	Code
D-67	HAUGHTON Benjamin	1	2	KIM Guen Mo (Andrew)	10 - 0	3:32	IPO
D-68	HAUGHTON Benjamin	1	3	GHASUMYAN Tigran	10 - 0	0:01	FUS
D-69	KIM Guen Mo (Andrew)	2	3	GHASUMYAN Tigran	10 - 0	0:01	FUS

Results

Pos	Name
1	HAUGHTON Benjamin, Kamloops Judo Club
2	KIM Guen Mo (Andrew), Elite Olympic Martial Arts

U18 Cadet Female-70kg

Competitors

#	Name	Grade	Club	1	2	1	2	1	2	Wins	Pts	Pos
1	CALDER Mira	Blue	Kokushikai Judo	XX		XX		XX		0	0	2
2	BOOTH Brae	Blue	Creston Judo Club	10	XX	10	XX	10	XX	3	30	1

Matches

Match	White			Blue	Result	Time	Code
B-63	CALDER Mira	1	2	BOOTH Brae	0 - 10	0:00	KIK
B-64	BOOTH Brae	2	1	CALDER Mira	10 - 0	0:00	KIK
B-65	CALDER Mira	1	2	BOOTH Brae	0 - 10	0:00	KIK

Results

Pos	Name
1	BOOTH Brae, Creston Judo Club

U21 Jr. Female-48kg

Competitors

#	Name	Grade	Club	1	2	3	4	5	Wins	Pts	Pos
1	HINTON Launa	Blue	Abbotsford Judo Club	XX		10	10	10	3	30	2
2	GOTO Tami	Blue	Prince George Judo Club	5	XX	10	10	10	4	35	1
3	DANILKOV Klavdia	Green	Burnaby Judo Club			XX	10		1	10	4
4	CORBETT Brooke	Blue	Hart Judo Academy				XX		0	0	5
5	KAMSTRA Kimiko	Blue	Hart Judo Academy			10	10	XX	2	20	3

Matches

Match	White			Blue	Result	Time	Code
B-1	CORBETT Brooke	4	5	KAMSTRA Kimiko	0 - 10	0:00	IPO
B-2	HINTON Launa	1	2	GOTO Tami	0 - 5	7:11	GSW
B-3	DANILKOV Klavdia	3	4	CORBETT Brooke	10 - 0	3:12	IPO
B-4	HINTON Launa	1	5	KAMSTRA Kimiko	10 - 0	3:15	IPO
B-5	GOTO Tami	2	3	DANILKOV Klavdia	10 - 0	0:51	IPO
B-6	HINTON Launa	1	4	CORBETT Brooke	10 - 0	1:02	IPO
B-7	DANILKOV Klavdia	3	5	KAMSTRA Kimiko	0 - 10	1:01	IPO
B-8	GOTO Tami	2	4	CORBETT Brooke	10 - 0	0:40	IPO
B-9	HINTON Launa	1	3	DANILKOV Klavdia	10 - 0	2:02	IPO
B-10	GOTO Tami	2	5	KAMSTRA Kimiko	10 - 0	2:57	IPO

Results

Pos	Name
1	GOTO Tami, Prince George Judo Club
2	HINTON Launa, Abbotsford Judo Club
3	KAMSTRA Kimiko, Hart Judo Academy
4	DANILKOV Klavdia, Burnaby Judo Club

U21 Jr. Female-63kg

Competitors

#	Name	Grade	Club	1	2	3	4	5	Wins	Pts	Pos
1	COMEAU Karissa	Blue	Abbotsford Judo Club	XX	10		10		2	20	4
2	TRAHAN Andie	Green	Golden Ears Judo Club		XX				0	0	5
3	KURAMOTO Caleigh	Blue	Steveston Judo Club	10	10	XX	10	10	4	40	1
4	MARTIN Marlene	Blue	Parkland Judo Academy		10		XX	10	2	20	2
5	SUNDBERG Robin	Green	Parkland Judo Academy	10	10			XX	2	20	3

Matches

Match	White			Blue	Result	Time	Code
A-27	MARTIN Marlene	4	5	SUNDBERG Robin	10 - 0	3:30	IPO
A-28	COMEAU Karissa	1	2	TRAHAN Andie	10 - 0	0:01	FUS
A-29	KURAMOTO Caleigh	3	4	MARTIN Marlene	10 - 0	1:50	IPO
A-30	COMEAU Karissa	1	5	SUNDBERG Robin	0 - 10	0:25	IPO
A-31	TRAHAN Andie	2	3	KURAMOTO Caleigh	0 - 10	0:01	FUS
A-32	COMEAU Karissa	1	4	MARTIN Marlene	10 - 0	3:50	IPO
A-33	KURAMOTO Caleigh	3	5	SUNDBERG Robin	10 - 0	0:57	IPO
A-34	TRAHAN Andie	2	4	MARTIN Marlene	0 - 10	0:01	FUS
A-35	COMEAU Karissa	1	3	KURAMOTO Caleigh	0 - 10	3:08	HAN
A-36	TRAHAN Andie	2	5	SUNDBERG Robin	0 - 10	0:01	FUS

Results

Pos	Name
1	KURAMOTO Caleigh, Steveston Judo Club
2	MARTIN Marlene, Parkland Judo Academy
3	SUNDBERG Robin, Parkland Judo Academy
4	COMEAU Karissa, Abbotsford Judo Club

U21 Jr. Female-70kg

Competitors

#	Name	Grade	Club	1	2	3	Wins	Pts	Pos
1	ZAWADZKI Nikki	Blue	Burnaby Judo Club	XX	10		1	10	2
2	SENNOTT Haylie	Blue	Burnaby Judo Club		XX		0	0	3
3	BOOTH Brae	Blue	Creston Judo Club	10	10	XX	2	20	1

Matches

Match	White			Blue	Result	Time	Code
C-37A	ZAWADZKI Nikki	1	2	SENNOTT Haylie	10 - 0	0:00	IPO
C-38A	ZAWADZKI Nikki	1	3	BOOTH Brae	0 - 10	1:25	IPO
C-40	SENNOTT Haylie	2	3	BOOTH Brae	0 - 10	0:50	IPO

Results

Pos	Name
1	BOOTH Brae, Creston Judo Club
2	ZAWADZKI Nikki, Burnaby Judo Club

U21 Jr. Male-55kg

Competitors

#	Name	Grade	Club	1	2	3	Wins	Pts	Pos
1	NINALGA Vincent	Blue	Arashi Judo Club	XX	10	10	2	20	1
2	NORQUAY Graham	Blue	Invermere Judo Club		XX	10	1	10	2
3	LE Patrick	Orange	Seattle Dojo Judo Club			XX	0	0	3

Matches

Match	White			Blue	Result	Time	Code
B-11	NINALGA Vincent	1	2	NORQUAY Graham	10 - 0	0:42	IPO
B-12	NINALGA Vincent	1	3	LE Patrick	10 - 0	4:00	IPO
B-13	NORQUAY Graham	2	3	LE Patrick	10 - 0	1:30	IPO

Results

Pos	Name
1	NINALGA Vincent, Arashi Judo Club
2	NORQUAY Graham, Invermere Judo Club

U21 Jr. Male-60kg C

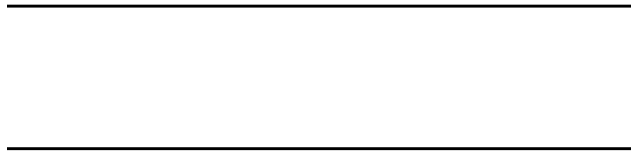
1. SCHAUS Taylor, Prince George Judo Club (Black)



SCHAUS

10 IPO

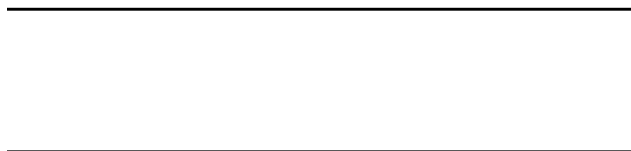
3. YOUNG Maxwell , Hart Judo Academy (Blue)



YOUNG

0

2. LEATHERDALE Ben, Kelowna Judo Club (Blue)



LEATHERDALE

0

4. RENDEK Kaeden, Creston Judo Club (Blue)



RENDEK

10 IPO



SCHAUS

0



RENDEK



RENDEK

5 WAZ

Results

Pos	Name
1	RENDEK Kaeden, Creston Judo Club
2	SCHAUS Taylor, Prince George Judo Club
3	YOUNG Maxwell , Hart Judo Academy
3	LEATHERDALE Ben, Kelowna Judo Club

U21 Jr. Male-60kg

Competitors

#	Name	Grade	Club	1	2	3	Wins	Pts	Pos
1	RENDEK Kaeden	Blue	Creston Judo Club	XX	10	10	2	20	1
2	SCHAUS Taylor	Black	Prince George Judo Club		XX	5	1	5	2
3	SCHENK Emil	Blue	Burnaby Judo Club			XX	0	0	3

Matches

Match	White			Blue	Result	Time	Code
B-14	RENDEK Kaeden	1	2	SCHAUS Taylor	10 - 0	0:44	IPO
B-15	RENDEK Kaeden	1	3	SCHENK Emil	10 - 0	5:52	GSI
B-16	SCHAUS Taylor	2	3	SCHENK Emil	5 - 0	4:00	WAZ

Results

Pos	Name
1	RENDEK Kaeden, Creston Judo Club
2	SCHAUS Taylor, Prince George Judo Club

U21 Jr. Male-60kg B

Competitors

#	Name	Grade	Club	1	2	3	Wins	Pts	Pos
1	LEATHERDALE Ben	Blue	Kelowna Judo Club	XX		10	1	10	2
2	YOUNG Maxwell	Blue	Hart Judo Academy	10	XX	10	2	20	1
3	GRANT Jake	Green	Kokushikai Judo			XX	0	0	3

Matches

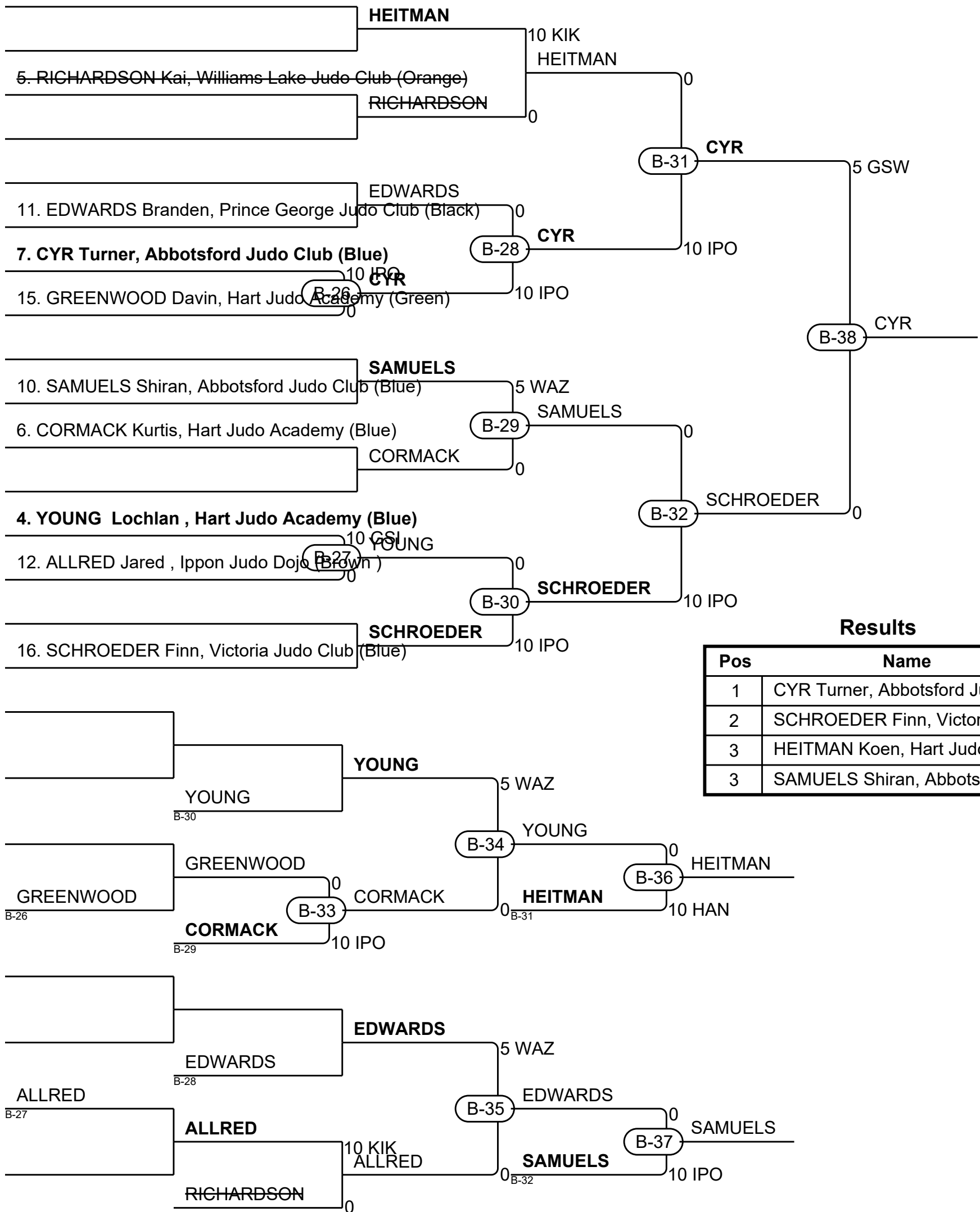
Match	White			Blue	Result	Time	Code
A-37	LEATHERDALE Ben	1	2	YOUNG Maxwell	0 - 10	1:48	IPO
A-38	LEATHERDALE Ben	1	3	GRANT Jake	10 - 0	2:32	IPO
A-39	YOUNG Maxwell	2	3	GRANT Jake	10 - 0	0:47	IPO

Results

Pos	Name
1	YOUNG Maxwell , Hart Judo Academy
2	LEATHERDALE Ben, Kelowna Judo Club

U21 Jr. Male-66kg

1. HEITMAN Koen, Hart Judo Academy (Blue)



Results

Pos	Name
1	CYR Turner, Abbotsford Judo Club
2	SCHROEDER Finn, Victoria Judo Club
3	HEITMAN Koen, Hart Judo Academy
3	SAMUELS Shiran, Abbotsford Judo Club

U21 Jr. Male-73kg

Competitors

#	Name	Grade	Club	1	2	3	4	5	Wins	Pts	Pos
1	VEENENDAAL Carter	Blue	Abbotsford Judo Club	XX	10		10	5	3	25	2
2	POLLON Dryden	Green	Kamloops Judo Club		XX				0	0	5
3	KANG Bruce	Blue	Seattle Dojo Judo Club	10	10	XX	10	10	4	40	1
4	ORDANO Dylan	Blue	Steveston Judo Club		10		XX		1	10	4
5	HALL Wylon	Blue	Kokoro Judo Association		10		10	XX	2	20	3

Matches

Match	White			Blue	Result	Time	Code
C-41	ORDANO Dylan	4	5	HALL Wylon	0 - 10	0:38	IPO
C-42	VEENENDAAL Carter	1	2	POLLON Dryden	10 - 0	1:04	IPO
C-43	KANG Bruce	3	4	ORDANO Dylan	10 - 0	0:28	IPO
C-44	VEENENDAAL Carter	1	5	HALL Wylon	5 - 0	5:14	GSW
C-45	POLLON Dryden	2	3	KANG Bruce	0 - 10	2:04	IPO
C-46	VEENENDAAL Carter	1	4	ORDANO Dylan	10 - 0	2:44	IPO
C-47	KANG Bruce	3	5	HALL Wylon	10 - 0	1:20	IPO
C-48	POLLON Dryden	2	4	ORDANO Dylan	0 - 10	4:00	IPO
C-49	VEENENDAAL Carter	1	3	KANG Bruce	0 - 10	4:00	GSI
C-50	POLLON Dryden	2	5	HALL Wylon	0 - 10	1:27	IPO

Results

Pos	Name
1	KANG Bruce, Seattle Dojo Judo Club
2	VEENENDAAL Carter, Abbotsford Judo Club
3	HALL Wylon, Kokoro Judo Association
4	ORDANO Dylan, Steveston Judo Club

U21 Jr. Male+90kg

Competitors

#	Name	Grade	Club	1	2	3	4	Wins	Pts	Pos
1	RYDER Ian	Blue	Steveston Judo Club	XX	10	10	10	3	30	1
2	GHASUMYAN Tigran	Green	Steveston Judo Club		XX			0	0	4
3	YANG Brandon	Green	Seattle Dojo Judo Club		10	XX		1	10	3
4	HAUGHTON Benjamin	Blue	Kamloops Judo Club		10	10	XX	2	20	2

Matches

Match	White			Blue	Result	Time	Code
B-20	RYDER Ian	1	2	GHASUMYAN Tigran	10 - 0	0:00	IPO
B-21	YANG Brandon	3	4	HAUGHTON Benjamin	0 - 10	1:01	IPO
B-22	RYDER Ian	1	3	YANG Brandon	10 - 0	3:37	IPO
B-23	GHASUMYAN Tigran	2	4	HAUGHTON Benjamin	0 - 10	0:00	IPO
B-24	RYDER Ian	1	4	HAUGHTON Benjamin	10 - 0	0:45	IPO
B-25	GHASUMYAN Tigran	2	3	YANG Brandon	0 - 10	0:00	IPO

Results

Pos	Name
1	RYDER Ian, Steveston Judo Club
2	HAUGHTON Benjamin, Kamloops Judo Club
3	YANG Brandon, Seattle Dojo Judo Club

Sr.Female(Blu-Blk)-57kg

Competitors

#	Name	Grade	Club	1	2	3	Wins	Pts	Pos
1	DARMADI Jennifer	Orange	Nanaimo Judo Club	XX			0	0	3
2	ENDEAN Kiara	Blue	Aberdeen Judo Academy	10	XX		1	10	2
3	GELINAS Isabelle	Black	Mile Zero Judo Club	10	10	XX	2	20	1

Matches

Match	White			Blue	Result	Time	Code
D-70	DARMADI Jennifer	1	2	ENDEAN Kiara	0 - 10	1:09	IPO
D-71	DARMADI Jennifer	1	3	GELINAS Isabelle	0 - 10	0:46	IPO
D-72	ENDEAN Kiara	2	3	GELINAS Isabelle	0 - 10	2:46	IPO

Results

Pos	Name
1	GELINAS Isabelle, Mile Zero Judo Club
2	ENDEAN Kiara , Aberdeen Judo Academy

Sr.Female(Blu-Blk)-70kg

Competitors

#	Name	Grade	Club	1	2	3	Wins	Pts	Pos
1	ZAWADZKI Nikki	Brown	Burnaby Judo Club	XX	10	10	2	20	1
2	GLOVER Mariko	Green	Burnaby Judo Club		XX	10	1	10	2
3	SENNOTT Haylie	Brown	Burnaby Judo Club			XX	0	0	3

Matches

Match	White			Blue	Result	Time	Code
D-73	ZAWADZKI Nikki	1	2	GLOVER Mariko	10 - 0	0:33	IPO
D-74	ZAWADZKI Nikki	1	3	SENNOTT Haylie	10 - 0	0:00	KIK
D-75	GLOVER Mariko	2	3	SENNOTT Haylie	10 - 0	0:00	KIK

Results

Pos	Name
1	ZAWADZKI Nikki, Burnaby Judo Club
2	GLOVER Mariko, Burnaby Judo Club

Sr.Male(Brw-Blk)-60kg

Competitors

#	Name	Grade	Club	1	2	3	4	Wins	Pts	Pos
1	NINALGA Vincent	Brown	Arashi Judo Club	XX	10	5		2	15	2
2	RENDEK Kaeden	Brown	Creston Judo Club		XX	5		1	5	3
3	SCHAUS Taylor	Black	Prince George Judo Club			XX		0	0	4
4	DIMARCO Jeff	Black	Williams Lake Judo Club	10	10	10	XX	3	30	1

Matches

Match	White		Blue		Result	Time	Code
C-95	NINALGA Vincent	1	2	RENDEK Kaeden	10 - 0	4:58	HAN
C-96	SCHAUS Taylor	3	4	DIMARCO Jeff	0 - 10	0:35	IPO
C-97	NINALGA Vincent	1	3	SCHAUS Taylor	5 - 0	4:00	WAZ
C-98	RENDEK Kaeden	2	4	DIMARCO Jeff	0 - 10	1:31	IPO
C-99	NINALGA Vincent	1	4	DIMARCO Jeff	0 - 10	0:00	IPO
C-100	RENDEK Kaeden	2	3	SCHAUS Taylor	5 - 0	5:38	GSW

Results

Pos	Name
1	DIMARCO Jeff, Williams Lake Judo Club
2	NINALGA Vincent, Arashi Judo Club
3	RENDEK Kaeden, Creston Judo Club

Sr.Male(Brw-Blk)-73kg

Competitors A

#	Name	Grade	Club	1	2	3	Wins	Pts	Pos
1	OKAMURA Thomas	Black	Burnaby Judo Club	XX	10	10	2	20	1
2	ROOTS Matt	Black	Port Coquitlam Judo Club		XX	10	1	10	2
3	EBY Nathan	Black	Nanaimo Judo Club			XX	0	0	3

Matches A

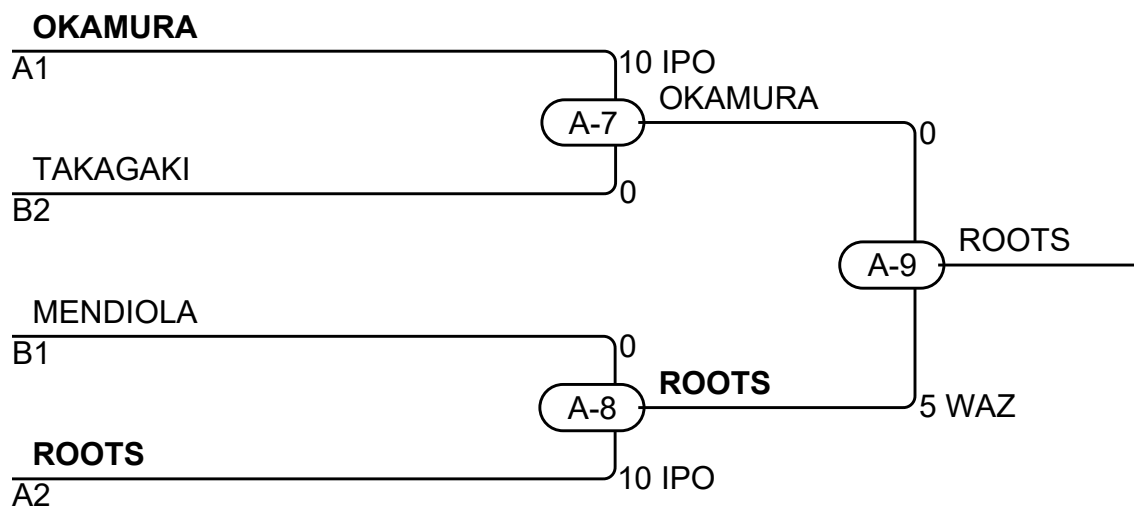
Match	White	Blue	Result	Time	Code
A-1	OKAMURA Thomas	ROOTS Matt	10 - 0	1:35	IPO
A-3	OKAMURA Thomas	EBY Nathan	10 - 0	4:35	GSI
A-5	ROOTS Matt	EBY Nathan	10 - 0	0:00	IPO

Competitors B

#	Name	Grade	Club	4	5	6	Wins	Pts	Pos
4	MENDIOLA Patrick	Black	Ippon Judo Dojo	XX	10	10	2	20	1
5	CORMACK Kurtis	Brown	Hart Judo Academy		XX		0	0	3
6	TAKAGAKI Tetsu	Brown	Nakashima Dojo Judo Club		10	XX	1	10	2

Matches B

Match	White	Blue	Result	Time	Code
A-2	MENDIOLA Patrick	CORMACK Kurtis	10 - 0	2:41	IPO
A-4	MENDIOLA Patrick	TAKAGAKI Tetsu	10 - 0	0:07	IPO
A-6	CORMACK Kurtis	TAKAGAKI Tetsu	0 - 10	0:45	IPO



Results

Pos	Name
1	ROOTS Matt, Port Coquitlam Judo Club
2	OKAMURA Thomas, Burnaby Judo Club
3	TAKAGAKI Tetsu, Nakashima Dojo Judo Club
3	MENDIOLA Patrick, Ippon Judo Dojo

Sr.Male(Brw-Blk)-81kg

Competitors

#	Name	Grade	Club	1	2	3	Wins	Pts	Pos
1	INGIELEWICZ Maciej	Black	Golden Ears Judo Club	XX	10		1	10	2
2	LYON Tim	Black	Burnaby Judo Club		XX		0	0	3
3	MARTIN Malcolm	Black	Ippon Judo Dojo	10	10	XX	2	20	1

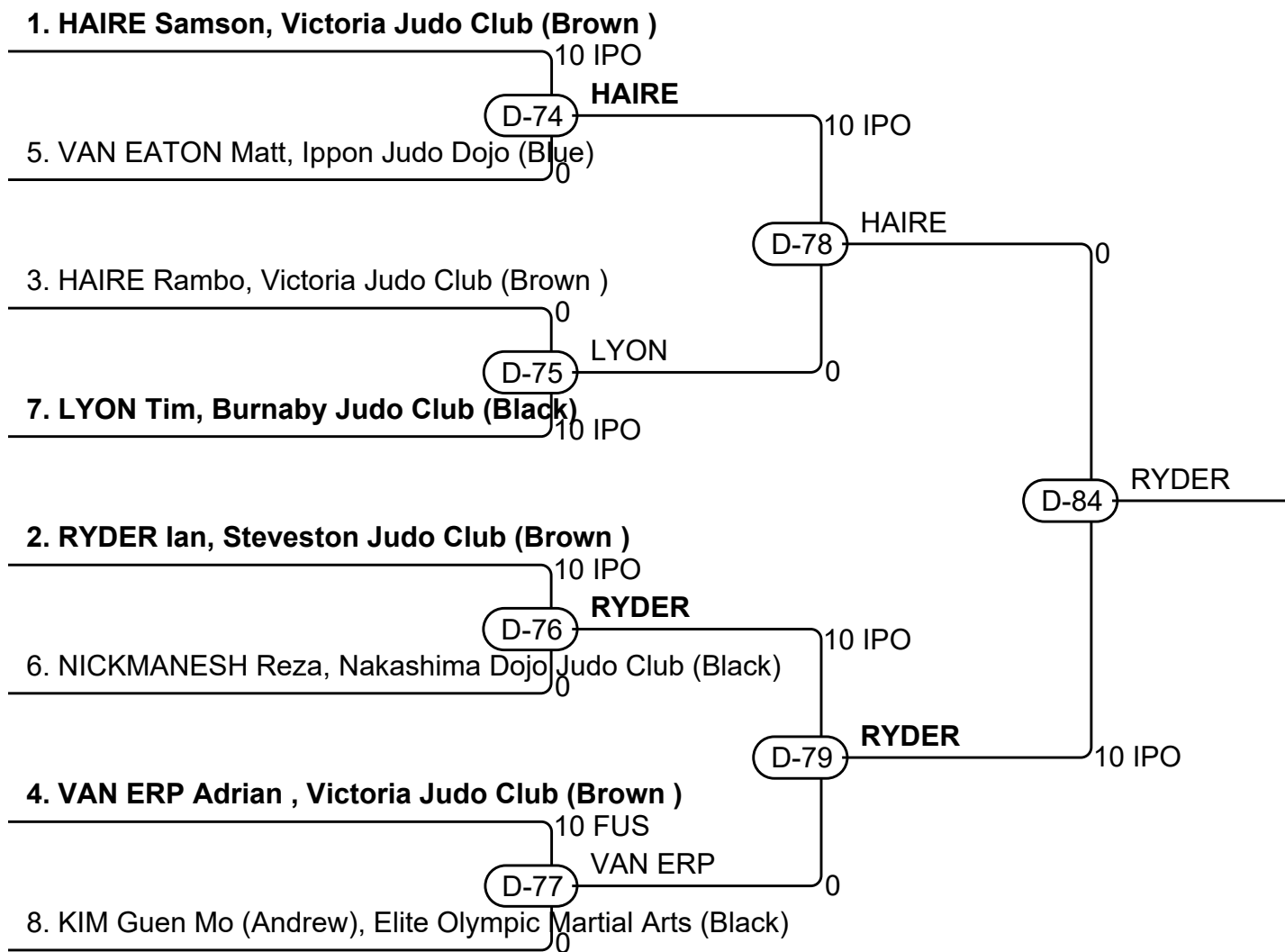
Matches

Match	White			Blue	Result	Time	Code
B-77	INGIELEWICZ Maciej	1	2	LYON Tim	10 - 0	1:44	IPO
B-78	INGIELEWICZ Maciej	1	3	MARTIN Malcolm	0 - 10	1:05	IPO
B-79	LYON Tim	2	3	MARTIN Malcolm	0 - 10	0:44	IPO

Results

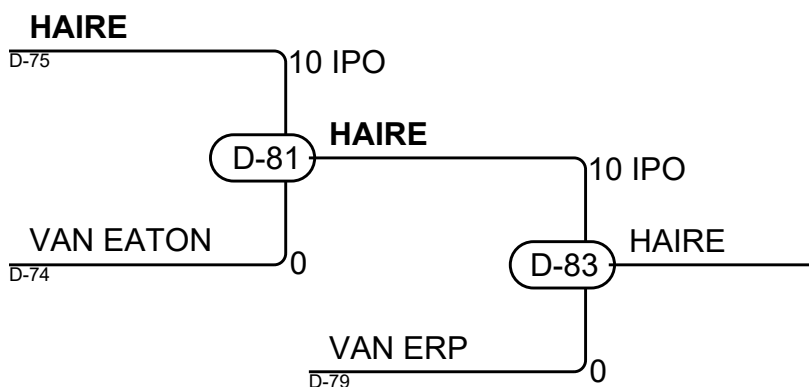
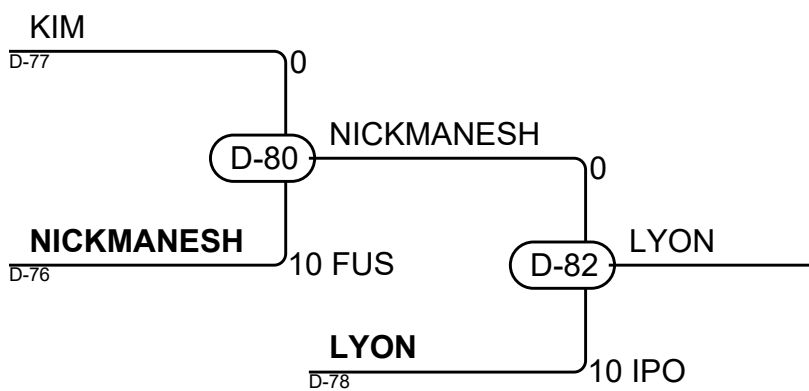
Pos	Name
1	MARTIN Malcolm, Ippon Judo Dojo
2	INGIELEWICZ Maciej, Golden Ears Judo Club

Sr.Male(Brw-Blk)-90kg



Results

Pos	Name
1	RYDER Ian, Steveston Judo Club
2	HAIRE Samson, Victoria Judo Club
3	LYON Tim, Burnaby Judo Club
3	HAIRE Rambo, Victoria Judo Club



Sr.Male(Grn-Blu)-73kg

Competitors

#	Name	Grade	Club	1	2	1	2	1	2	Wins	Pts	Pos
1	VU Giang (Billy)	Green	Burnaby Judo Club	XX		XX		XX		0	0	2
2	PEREZ Christopher	Blue	Nakashima Dojo Judo Club	10	XX	10	XX	10	XX	3	30	1

Matches

Match	White			Blue	Result	Time	Code
B-86	VU Giang (Billy)	1	2	PEREZ Christopher	0 - 10	0:00	HAN
B-87	PEREZ Christopher	2	1	VU Giang (Billy)	10 - 0	0:00	KIK
B-88	VU Giang (Billy)	1	2	PEREZ Christopher	0 - 10	0:00	KIK

Results

Pos	Name
1	PEREZ Christopher, Nakashima Dojo Judo Club

Sr.Male(Grn-Blu)-90kg

Competitors

#	Name	Grade	Club	1	2	3	4	Wins	Pts	Pos
1	SAHOTA Sony	Blue	Kensington Judo Club	XX	10	10	10	3	30	1
2	HAUS Jack	Blue	Burnaby Judo Club		XX	10		1	10	4
3	VAN EATON Matt	Blue	Ippon Judo Dojo			XX	10	1	10	2
4	MARSHALL Brian	Green	Williams Lake Judo Club		10		XX	1	10	3

Matches

Match	White			Blue	Result	Time	Code
D-85	SAHOTA Sony	1	2	HAUS Jack	10 - 0	0:01	FUS
D-86	VAN EATON Matt	3	4	MARSHALL Brian	10 - 0	2:18	IPO
D-87	SAHOTA Sony	1	3	VAN EATON Matt	10 - 0	0:51	KIK
D-88	HAUS Jack	2	4	MARSHALL Brian	0 - 10	0:01	FUS
D-89	SAHOTA Sony	1	4	MARSHALL Brian	10 - 0	1:13	IPO
D-90	HAUS Jack	2	3	VAN EATON Matt	10 - 0	0:01	KIK

Results

Pos	Name
1	SAHOTA Sony, Kensington Judo Club
2	VAN EATON Matt, Ippon Judo Dojo
3	MARSHALL Brian, Williams Lake Judo Club
4	HAUS Jack, Burnaby Judo Club

Sr.Male(Yel-Org)-66kg

Competitors

#	Name	Grade	Club	1	2	1	2	1	2	Wins	Pts	Pos
1	SWANSON-DINSMORE Nathan	Yellow	Whatcom Judo Club	XX	10	XX	10	XX		2	20	1
2	JE Hyun Mo	Yellow	Victoria Judo Club		XX		XX		XX	0	0	2

Matches

Match	White			Blue	Result	Time	Code
B-80	SWANSON-DINSMORE Nathan	1	2	JE Hyun Mo	10 - 0	0:44	IPO
B-81	JE Hyun Mo	2	1	SWANSON-DINSMORE Nathan	0 - 10	1:45	IPO
B-82	SWANSON-DINSMORE Nathan	1	2	JE Hyun Mo			

Results

Pos	Name
1	SWANSON-DINSMORE Nathan, Whatcom Judo Club

Sr.Male(Yel-Org)-81kg

Competitors

#	Name	Grade	Club	1	2	3	Wins	Pts	Pos
1	LEE Peter	Orange	Burnaby Judo Club	XX			0	0	3
2	RODRIGUEZ SUAREZ Vania	Orange	Burnaby Judo Club	10	XX	10	2	20	1
3	ZALE Tyler	Yellow	Golden Ears Judo Club	10		XX	1	10	2

Matches

Match	White			Blue	Result	Time	Code
B-83	LEE Peter	1	2	RODRIGUEZ SUAREZ Vania	0 - 10	0:55	IPO
B-84	LEE Peter	1	3	ZALE Tyler	0 - 10	1:41	IPO
B-85	RODRIGUEZ SUAREZ Vania	2	3	ZALE Tyler	10 - 0	1:21	IPO

Results

Pos	Name
1	RODRIGUEZ SUAREZ Vania, Burnaby Judo Club
2	ZALE Tyler, Golden Ears Judo Club

Sr.Male(Yel-Org)+100kg

Competitors

#	Name	Grade	Club	1	2	3	Wins	Pts	Pos
1	ZHANG Dingcheng	Yellow	Burnaby Judo Club	XX	10	10	2	20	1
2	SUPERNAULT Lennard	Orange	Williams Lake Judo Club		XX		0	0	3
3	HARRISON Brian	Yellow	Emerald City Judo		10	XX	1	10	2

Matches

Match	White			Blue	Result	Time	Code
C-101	ZHANG Dingcheng	1	2	SUPERNAULT Lennard	10 - 0	1:45	IPO
C-102	ZHANG Dingcheng	1	3	HARRISON Brian	10 - 0	0:00	IPO
C-103	SUPERNAULT Lennard	2	3	HARRISON Brian	0 - 10	0:01	FUS

Results

Pos	Name
1	ZHANG Dingcheng, Burnaby Judo Club
2	HARRISON Brian, Emerald City Judo

Veteran Male-81kg

Competitors

#	Name	Grade	Club	1	2	3	Wins	Pts	Pos
1	ANDREEV Andrey	Brown	Golden Ears Judo Club	XX			0	0	3
2	PRICE Chris	Yellow	Kamloops Judo Club	10	XX		1	10	2
3	MARSHALL Brian	Green	Williams Lake Judo Club	10	10	XX	2	20	1

Matches

Match	White			Blue	Result	Time	Code
D-91	ANDREEV Andrey	1	2	PRICE Chris	0 - 10	0:00	KIK
D-92	ANDREEV Andrey	1	3	MARSHALL Brian	0 - 10	0:00	KIK
D-93	PRICE Chris	2	3	MARSHALL Brian	0 - 10	2:15	IPO

Results

Pos	Name
1	MARSHALL Brian, Williams Lake Judo Club
2	PRICE Chris, Kamloops Judo Club