

BC Open Results

Vernon, BC

April 18, 2015

Exhibition	2-9
Masters	10-17
Seniors	18-24
U10	25-31
U12	32-40
U14	41-51
U16	52-58
U18	59-64

# EX1

## Competitors

#	Name	Grade	Club	1	2	1	2	1	2	Wins	Pts	Pos
1	Kameron ZIMMERMANN	5kYellow/Orange	VERN		10		10			2	20	1
2	Aiden NEID	5kYellow	LC							0	0	2

## Matches

Match	White			Blue	Result	Time	Code
1	Kameron ZIMMERMANN	1	2	Aiden NEID	10 - 0	1:57	IPO
2	Kameron ZIMMERMANN	1	2	Aiden NEID	10 - 0	1:50	IPO
3	Kameron ZIMMERMANN	1	2	Aiden NEID			

## Results

Pos	Name
1	Kameron ZIMMERMANN, VERN
2	Aiden NEID, LC

# EX2

## Competitors

#	Name	Grade	Club	1	2	1	2	1	2	Wins	Pts	Pos
1	Ben LEATHERDALE	3kGreen	KEL		10					1	10	2
2	Tommy PFEIFER	4kOrange/Green	CAMPB			10		10		2	20	1

## Matches

Match	White			Blue	Result	Time	Code
1	Ben LEATHERDALE	1	2	Tommy PFEIFER	10 - 0	0:00	IPO
2	Ben LEATHERDALE	1	2	Tommy PFEIFER	0 - 10	0:00	IPO
3	Ben LEATHERDALE	1	2	Tommy PFEIFER	0 - 10	0:00	IPO

## Results

Pos	Name
1	Tommy PFEIFER, CAMPB
2	Ben LEATHERDALE, KEL

# EX3

## Competitors

#	Name	Grade	Club	1	2	1	2	1	2	Wins	Pts	Pos
1	Sydney GREVATT	3kGreen	VERN		5		10			2	15	1
2	Abby FREEBORN	2kBlue	LC							0	0	2

## Matches

Match	White			Blue	Result	Time	Code
1	Sydney GREVATT	1	2	Abby FREEBORN	5 - 0	0:00	YUK
2	Sydney GREVATT	1	2	Abby FREEBORN	10 - 0	0:00	IPO
3	Sydney GREVATT	1	2	Abby FREEBORN			

## Results

Pos	Name
1	Sydney GREVATT, VERN
2	Abby FREEBORN, LC

# EX4

## Competitors

#	Name	Grade	Club	1	2	1	2	1	2	Wins	Pts	Pos
1	Gabriel MCLACHLAN	3kGreen	VERN		10		5			2	15	1
2	Ben HAUGHTON	3kGreen	KAM							0	0	2

## Matches

Match	White			Blue	Result	Time	Code
1	Gabriel MCLACHLAN	1	2	Ben HAUGHTON	10 - 0	0:00	IPO
2	Gabriel MCLACHLAN	1	2	Ben HAUGHTON	5 - 0	0:00	YUK
3	Gabriel MCLACHLAN	1	2	Ben HAUGHTON			

## Results

Pos	Name
1	Gabriel MCLACHLAN, VERN
2	Ben HAUGHTON, KAM

# EX5

## Competitors

#	Name	Grade	Club	1	2	1	2	1	2	Wins	Pts	Pos
1	Sydney GREVATT	3kGreen	VERN		10		10			2	20	1
2	Tasha BRAND	5kYellow/Orange	VERN							0	0	2

## Matches

Match	White			Blue	Result	Time	Code
1	Sydney GREVATT	1	2	Tasha BRAND	10 - 0	0:00	IPO
2	Sydney GREVATT	1	2	Tasha BRAND	10 - 0	0:00	IPO
3	Sydney GREVATT	1	2	Tasha BRAND			

## Results

Pos	Name
1	Sydney GREVATT, VERN
2	Tasha BRAND, VERN

# EX6

## Competitors

#	Name	Grade	Club	1	2	1	2	1	2	Wins	Pts	Pos
1	Morgan ENDEAN	2kBlue	ABER		10		10			2	20	1
2	Reese RICHARDSON	4kOrange	SA							0	0	2

## Matches

Match	White			Blue	Result	Time	Code
1	Morgan ENDEAN	1	2	Reese RICHARDSON	10 - 0	0:00	IPO
2	Morgan ENDEAN	1	2	Reese RICHARDSON	10 - 0	0:00	IPO
3	Morgan ENDEAN	1	2	Reese RICHARDSON			

## Results

Pos	Name
1	Morgan ENDEAN, ABER
2	Reese RICHARDSON, SA

# EX7

## Competitors

#	Name	Grade	Club	1	2	3	Wins	Pts	Pos
1	Haley HENRY	1kBrown	CAMPB		7	10	2	17	1
2	Isabelle GELINAS	1kBrown	NWAR			10	1	10	2
3	Trudy BRAND	3kGreen	VERN				0	0	3

## Matches

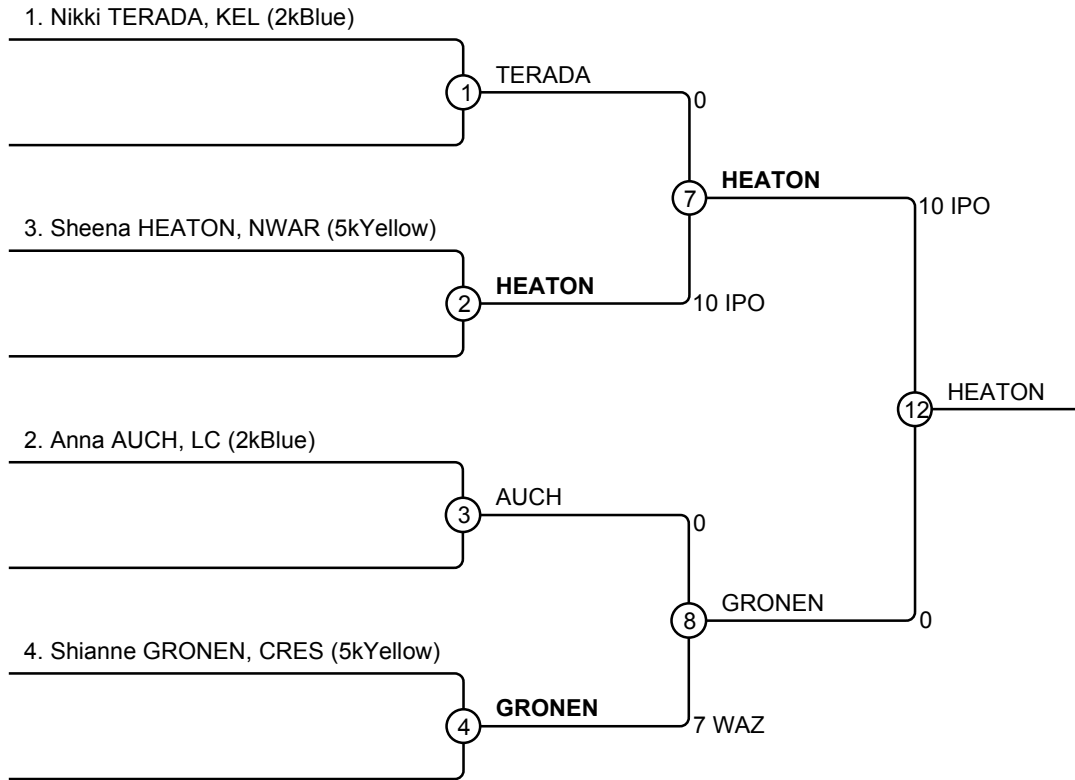
Match	White			Blue	Result	Time	Code
1	Haley HENRY	1	2	Isabelle GELINAS	7 - 0	0:00	WAZ
2	Haley HENRY	1	3	Trudy BRAND	10 - 0	0:00	IPO
3	Isabelle GELINAS	2	3	Trudy BRAND	10 - 0	0:00	IPO

## Results

Pos	Name
1	Haley HENRY, CAMPB
2	Isabelle GELINAS, NWAR
3	Trudy BRAND, VERN

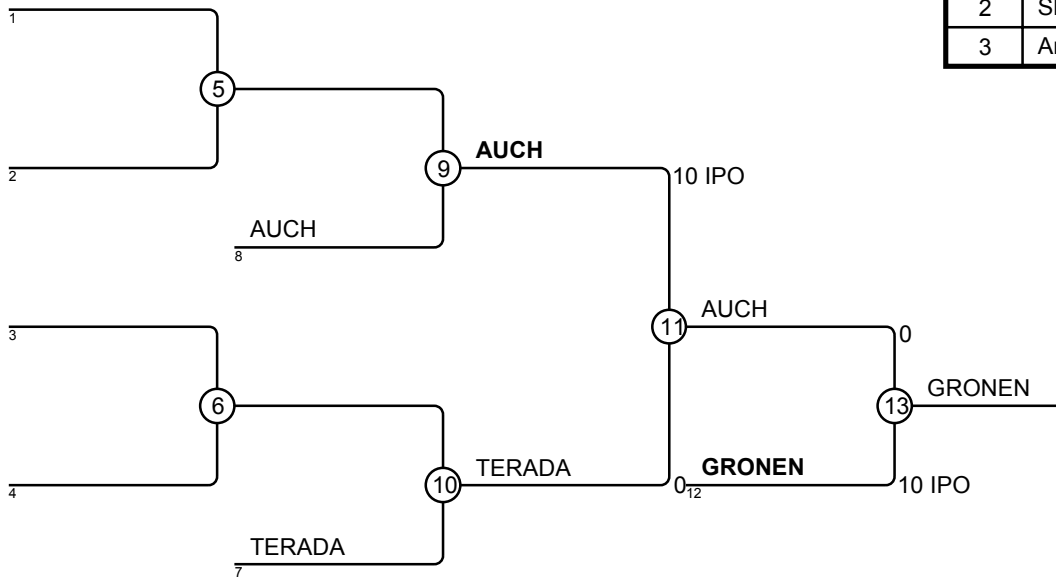


# EX8



## Results

Pos	Name
1	Sheena HEATON, NWAR
2	Shianne GRONEN, CRES
3	Anna AUCH, LC



# Mstr-B&B-D147

## Competitors

#	Name	Grade	Club	1	2	3	4	Wins	Pts	Pos
1	Chris PETERSEN	2dan	CAMPB					0	0	4
2	Bruce HENRY	3dan	CAMPB	10		10	5	3	25	1
3	Michael TURNER	1dan	SDK	10				1	10	3
4	Jeremy GRANT	2dan	VIC	10		10		2	20	2

## Matches

Match	White			Blue	Result	Time	Code
1	Chris PETERSEN	1	2	Bruce HENRY	0 - 10	0:00	IPO
2	Michael TURNER	3	4	Jeremy GRANT	0 - 10	0:00	IPO
3	Chris PETERSEN	1	3	Michael TURNER	0 - 10	0:00	IPO
4	Bruce HENRY	2	4	Jeremy GRANT	5 - 0	0:00	YUK
5	Chris PETERSEN	1	4	Jeremy GRANT	0 - 10	0:00	IPO
6	Bruce HENRY	2	3	Michael TURNER	10 - 0	0:00	IPO

## Results

Pos	Name
1	Bruce HENRY, CAMPB
2	Jeremy GRANT, VIC
3	Michael TURNER, SDK
4	Chris PETERSEN, CAMPB

# Mstr-B&B-D148

## Competitors

#	Name	Grade	Club	1	2	3	Wins	Pts	Pos
1	Tom ARGUE	2dan	POCO		5		1	5	2
2	John MORRIS	4dan	POCO				0	0	3
3	Chris SMILEY	2dan	LC	10	10		2	20	1

## Matches

Match	White			Blue	Result	Time	Code
1	Tom ARGUE	1	2	John MORRIS	5 - 0	0:00	YUK
2	Tom ARGUE	1	3	Chris SMILEY	0 - 10	0:00	IPO
3	John MORRIS	2	3	Chris SMILEY	0 - 10	0:00	IPO

## Results

Pos	Name
1	Chris SMILEY, LC
2	Tom ARGUE, POCO
3	John MORRIS, POCO

# Mstr-B&B-D149

## Competitors

#	Name	Grade	Club	1	2	1	2	1	2	Wins	Pts	Pos
1	Banjo OGUNNIYI	1kBrown	POCO		10		10			2	20	1
2	David COVENTRY	1kBrown	POCO							0	0	2

## Matches

Match	White			Blue	Result	Time	Code
1	Banjo OGUNNIYI	1	2	David COVENTRY	10 - 0	0:00	IPO
2	Banjo OGUNNIYI	1	2	David COVENTRY	10 - 0	0:00	IPO
3	Banjo OGUNNIYI	1	2	David COVENTRY			

## Results

Pos	Name
1	Banjo OGUNNIYI, POCO
2	David COVENTRY, POCO

# Mstr-B&B-D150

## Competitors

#	Name	Grade	Club	1	2	1	2	1	2	Wins	Pts	Pos
1	Don HUTCHEON	2dan	POCO							0	0	2
2	Bob SMYTHE	1dan	CAMPB	10		10				2	20	1

## Matches

Match	White			Blue	Result	Time	Code
1	Don HUTCHEON	1	2	Bob SMYTHE	0 - 10	0:00	IPO
2	Don HUTCHEON	1	2	Bob SMYTHE	0 - 10	0:00	IPO
3	Don HUTCHEON	1	2	Bob SMYTHE			

## Results

Pos	Name
1	Bob SMYTHE, CAMPB
2	Don HUTCHEON, POCO

# Mstr-B&B-D151

## Competitors

#	Name	Grade	Club	1	2	3	Wins	Pts	Pos
1	Bryan MCLACHLAN	1dan	VERN				0	0	3
2	Jim HAMILTON	1kBrown	KEL	7			1	7	2
3	Dominik CHEMNITZ	2dan	NWAR	10	10		2	20	1

## Matches

Match	White			Blue	Result	Time	Code
1	Bryan MCLACHLAN	1	2	Jim HAMILTON	0 - 7	0:00	WAZ
2	Bryan MCLACHLAN	1	3	Dominik CHEMNITZ	0 - 10	0:00	IPO
3	Jim HAMILTON	2	3	Dominik CHEMNITZ	0 - 10	0:00	IPO

## Results

Pos	Name
1	Dominik CHEMNITZ, NWAR
2	Jim HAMILTON, KEL
3	Bryan MCLACHLAN, VERN

# Mstr-D143

## Competitors

#	Name	Grade	Club	1	2	1	2	1	2	Wins	Pts	Pos
1	Joss GELINAS	5kYellow	NWAR							0	0	1
2	Nikki TERADA	2kBlue	KEL							0	0	2

## Matches

Match	White			Blue	Result	Time	Code
1	Joss GELINAS	1	2	Nikki TERADA			
2	Joss GELINAS	1	2	Nikki TERADA			
3	Joss GELINAS	1	2	Nikki TERADA			

## Results

Pos	Name
1	Joss GELINAS, NWAR
2	Nikki TERADA, KEL

# Mstr-D144

## Competitors

#	Name	Grade	Club	1	2	1	2	1	2	Wins	Pts	Pos
1	Julian KERESZTESI	4kOrange	ABER							0	0	2
2	Robert DUNLOP	2kBlue	VERN	10		10				2	20	1

## Matches

Match	White			Blue	Result	Time	Code
1	Julian KERESZTESI	1	2	Robert DUNLOP	0 - 10	0:00	IPO
2	Julian KERESZTESI	1	2	Robert DUNLOP	0 - 10	0:00	IPO
3	Julian KERESZTESI	1	2	Robert DUNLOP			

## Results

Pos	Name
1	Robert DUNLOP, VERN
2	Julian KERESZTESI, ABER



# Mstr-D145

## Competitors

#	Name	Grade	Club	1	2	1	2	1	2	Wins	Pts	Pos
1	Tony PLUMTREE	3kGreen	ABER		10		10			2	20	1
2	Pat MEHAIN	3kGreen	POCO							0	0	2

## Matches

Match	White			Blue	Result	Time	Code
1	Tony PLUMTREE	1	2	Pat MEHAIN	10 - 0	0:00	IPO
2	Tony PLUMTREE	1	2	Pat MEHAIN	10 - 0	0:00	IPO
3	Tony PLUMTREE	1	2	Pat MEHAIN			

## Results

Pos	Name
1	Tony PLUMTREE, ABER
2	Pat MEHAIN, POCO

# SrM-B&B-D138

## Competitors

#	Name	Grade	Club	1	2	3	4	Wins	Pts	Pos
1	Justin JORDAN	1dan	KEL		10			1	10	2
2	Jarek MASSON	1kBrown	ABER					0	0	3
3	<del>Leelen SAMUELSON</del>	1dan	CRES					0	0	4
4	Matt ROOTS	4dan	POCO	10	10	10		2	20	1

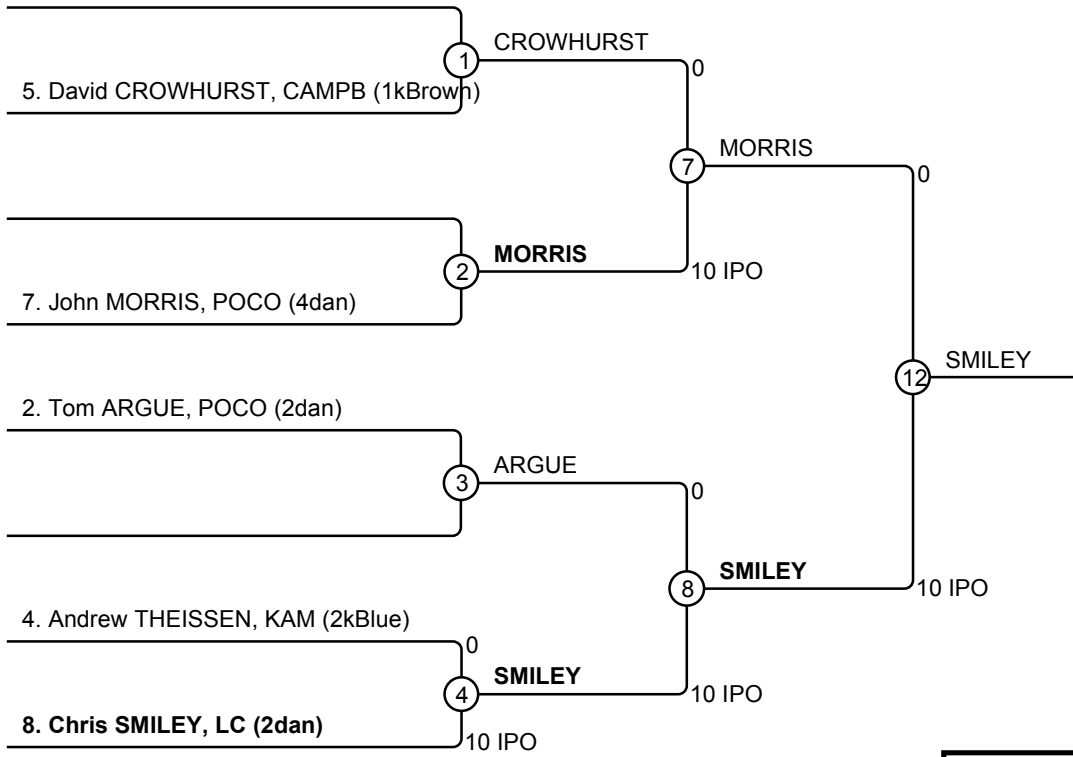
## Matches

Match	White	Blue	Result	Time	Code
1	Justin JORDAN	Jarek MASSON	10 - 0	0:00	IPO
2	Leelen SAMUELSON	<b>Matt ROOTS</b>	0 - 10	0:00	IPO
3	Justin JORDAN	Leelen SAMUELSON			
4	Jarek MASSON	<b>Matt ROOTS</b>	0 - 10	0:00	IPO
5	Justin JORDAN	<b>Matt ROOTS</b>	0 - 10	0:00	IPO
6	Jarek MASSON	Leelen SAMUELSON			

## Results

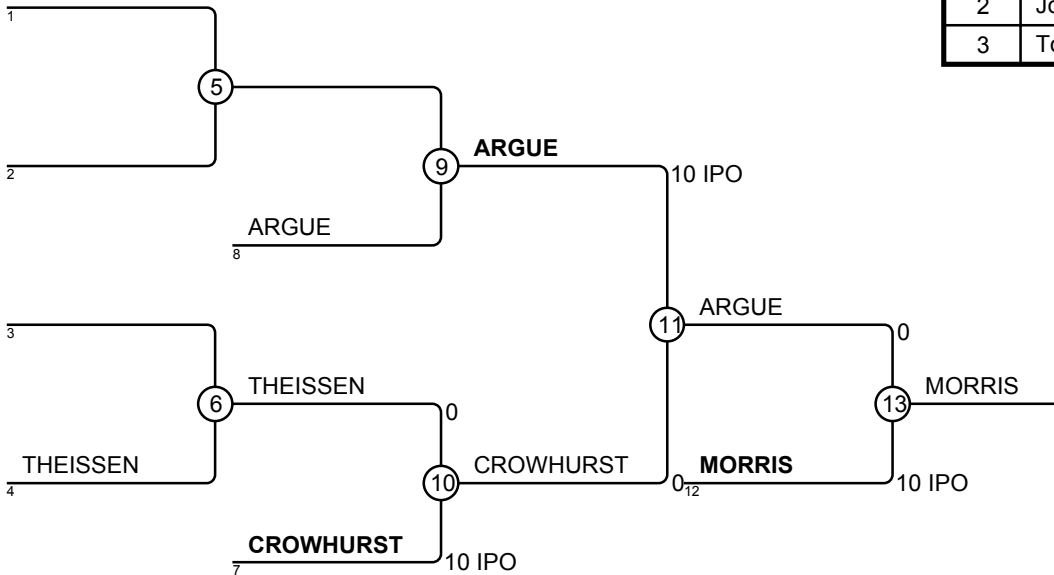
Pos	Name
1	Matt ROOTS, POCO
2	Justin JORDAN, KEL
3	Jarek MASSON, ABER
4	<del>Leelen SAMUELSON, CRES</del>

# SrM-B&B-D139A



## Results

Pos	Name
1	Chris SMILEY, LC
2	John MORRIS, POCO
3	Tom ARGUE, POCO



# SrM-B&B-D140A

## Competitors

#	Name	Grade	Club	1	2	3	Wins	Pts	Pos
1	Marty BOEHM	1kBrown	LC			10	1	10	2
2	Jim HAMILTON	1kBrown	KEL	10		10	2	20	1
3	David COVENTRY	1kBrown	POCO				0	0	3

## Matches

Match	White	Blue	Result	Time	Code
1	Marty BOEHM	1 2 Jim HAMILTON	0 - 10	0:00	IPO
2	Marty BOEHM	1 3 David COVENTRY	10 - 0	0:00	IPO
3	Jim HAMILTON	2 3 David COVENTRY	10 - 0	0:00	IPO

## Results

Pos	Name
1	Jim HAMILTON, KEL
2	Marty BOEHM, LC
3	David COVENTRY, POCO

# SrM-B&B-D142

## Competitors

#	Name	Grade	Club	1	2	1	2	1	2	Wins	Pts	Pos
1	Dominik CHEMNITZ	2dan	NWAR		10		10			2	20	1
2	Bryan MCLACHLAN	1dan	VERN							0	0	2

## Matches

Match	White			Blue	Result	Time	Code
1	Dominik CHEMNITZ	1	2	Bryan MCLACHLAN	10 - 0	0:00	IPO
2	Dominik CHEMNITZ	1	2	Bryan MCLACHLAN	10 - 0	0:00	IPO
3	Dominik CHEMNITZ	1	2	Bryan MCLACHLAN			

## Results

Pos	Name
1	Dominik CHEMNITZ, NWAR
2	Bryan MCLACHLAN, VERN

# SrM-Nov-D119

## Competitors

#	Name	Grade	Club	1	2	3	Wins	Pts	Pos
1	Joss GELINAS	5kYellow	NWAR				0	0	3
2	Blair EDWARDS	4kOrange	PeN	7			1	7	2
3	Tyson HICKS	4kOrange	CAMPB	5	10		2	15	1

## Matches

Match	White			Blue	Result	Time	Code
1	Joss GELINAS	1	2	Blair EDWARDS	0 - 7	0:00	WAZ
2	Joss GELINAS	1	3	Tyson HICKS	0 - 5	0:00	YUK
3	Blair EDWARDS	2	3	Tyson HICKS	0 - 10	0:00	IPO

## Results

Pos	Name
1	Tyson HICKS, CAMPB
2	Blair EDWARDS, PeN
3	Joss GELINAS, NWAR

# SrM-Nov-D120

## Competitors

#	Name	Grade	Club	1	2	3	Wins	Pts	Pos
1	Manny CHRISTJANSEN	5kYellow	SA		10		1	10	2
2	Julian KERESZTESI	4kOrange	ABER				0	0	3
3	Greg BANBURY	5kYellow	CRES	10	10		2	20	1

## Matches

Match	White		Blue	Result	Time	Code	
1	<b>Manny CHRISTJANSEN</b>	1	2	Julian KERESZTESI	10 - 0	0:00	IPO
2	Manny CHRISTJANSEN	1	3	<b>Greg BANBURY</b>	0 - 10	0:00	IPO
3	Julian KERESZTESI	2	3	<b>Greg BANBURY</b>	0 - 10	0:00	IPO

## Results

Pos	Name
1	Greg BANBURY, CRES
2	Manny CHRISTJANSEN, SA
3	Julian KERESZTESI, ABER

# SrW-D129

## Competitors

#	Name	Grade	Club	1	2	1	2	1	2	Wins	Pts	Pos
1	Isabelle GELINAS	1kBrown	NWAR		10		10			2	20	1
2	Trudy BRAND	3kGreen	VERN							0	0	2

## Matches

Match	White			Blue	Result	Time	Code
1	Isabelle GELINAS	1	2	Trudy BRAND	10 - 0	0:00	IPO
2	Isabelle GELINAS	1	2	Trudy BRAND	10 - 0	0:00	IPO
3	Isabelle GELINAS	1	2	Trudy BRAND			

## Results

Pos	Name
1	Isabelle GELINAS, NWAR
2	Trudy BRAND, VERN



# U10-D1

## Competitors

#	Name	Grade	Club	1	2	1	2	1	2	Wins	Pts	Pos
1	Samuel STEWART	5kYellow	KEL		5					1	5	2
2	Sloane BETKER	5kYellow	KEL			10		5		2	15	1

## Matches

Match	White			Blue	Result	Time	Code
1	Samuel STEWART	1	2	Sloane BETKER	5 - 0	2:00	YUK
2	Samuel STEWART	1	2	Sloane BETKER	0 - 10	0:00	IPO
3	Samuel STEWART	1	2	Sloane BETKER	0 - 5	0:00	YUK

## Results

Pos	Name
1	Sloane BETKER, KEL
2	Samuel STEWART, KEL

# U10-D2A

## Competitors

#	Name	Grade	Club	1	2	3	4	Wins	Pts	Pos
1	Sarah CLARKE	5kYellow	KEL		10	1	1	3	12	1
2	Fedar JORDAN	5kYellow	KEL			1	1	2	2	2
3	Tyler LANGE	5kYellow/Orange	KeL				1	1	1	3
4	Ben BOAL	4kOrange/Green	LC					0	0	4

## Matches

Match	White	Blue	Result	Time	Code
1	Sarah CLARKE 1 2	Fedar JORDAN	10 - 0	0:00	WIP
2	Tyler LANGE 3 4	Ben BOAL	1 - 0	0:00	YUS
3	Sarah CLARKE 1 3	Tyler LANGE	1 - 0	0:00	YUS
4	Fedar JORDAN 2 4	Ben BOAL	1 - 0	0:00	YUS
5	Sarah CLARKE 1 4	Ben BOAL	1 - 0	0:00	YUS
6	Fedar JORDAN 2 3	Tyler LANGE	1 - 0	0:00	YUS

## Results

Pos	Name
1	Sarah CLARKE, KEL
2	Fedar JORDAN, KEL
3	Tyler LANGE, KeL
4	Ben BOAL, LC

# U10-D3

## Competitors

#	Name	Grade	Club	1	2	3	4	Wins	Pts	Pos
1	Marco LUKACIC	5kYellow	PEN		10	7	10	3	27	1
2	Jonathan ROBINS	5kYellow	PEN			2	7	2	9	2
3	Jake JASIURA	4kOrange/Green	LC				7	1	7	3
4	Abigail SHEEHAN	4kOrange	CAMPB					0	0	4

## Matches

Match	White	Blue	Result	Time	Code
1	Marco LUKACIC	Jonathan ROBINS	10 - 0	1:57	WIP
2	Jake JASIURA	Abigail SHEEHAN	7 - 0	2:00	WAZ
3	Marco LUKACIC	Jake JASIURA	7 - 0	2:00	WAZ
4	Jonathan ROBINS	Abigail SHEEHAN	7 - 0	2:00	WAZ
5	Marco LUKACIC	Abigail SHEEHAN	10 - 0	1:51	IPO
6	Jonathan ROBINS	Jake JASIURA	2 - 0	2:00	

## Results

Pos	Name
1	Marco LUKACIC, PEN
2	Jonathan ROBINS, PEN
3	Jake JASIURA, LC
4	Abigail SHEEHAN, CAMPB

# U10-D4A

## Competitors

#	Name	Grade	Club	1	2	3	Wins	Pts	Pos
1	Riley BELIVEAU	5kYellow/Orange	VERN		10		1	10	2
2	A.J. CAMPBELL	5kYellow	NWAR			5	1	5	3
3	Clara KENYON	5kYellow	REV	10			1	10	1

## Matches

Match	White	Blue	Result	Time	Code
1	Riley BELIVEAU	A.J. CAMPBELL	10 - 0	2:00	IPO
2	Riley BELIVEAU	Clara KENYON	0 - 10	2:00	IPO
3	A.J. CAMPBELL	Clara KENYON	5 - 0	2:00	YUK

## Results

Pos	Name
1	Clara KENYON, REV
2	Riley BELIVEAU, VERN
3	A.J. CAMPBELL, NWAR

# U10-D4B

## Competitors

#	Name	Grade	Club	1	2	3	Wins	Pts	Pos
1	Lawson BANBURY	5kYellow/Orange	CRES		7		1	7	3
2	Mnason BONDT	5kYellow	VERN			10	1	10	1
3	Tobin GILL	5kYellow	REV	10			1	10	2

## Matches

Match	White	Blue	Result	Time	Code
1	Lawson BANBURY	1 2 Mnason BONDT	7 - 0	2:00	WAZ
2	Lawson BANBURY	1 3 Tobin GILL	0 - 10	2:00	IPO
3	Mnason BONDT	2 3 Tobin GILL	10 - 0	2:00	IPO

## Results

Pos	Name
1	Mnason BONDT, VERN
2	Tobin GILL, REV
3	Lawson BANBURY, CRES

# U10-D4C

## Competitors

#	Name	Grade	Club	1	2	1	2	1	2	Wins	Pts	Pos
1	Ruby SERROUYA	5kYellow	REV				1		1	2	2	1
2	Nicolas VOGES	4kOrange	PEN	7						1	7	2

## Matches

Match	White			Blue	Result	Time	Code
1	Ruby SERROUYA	1	2	<b>Nicolas VOGES</b>	0 - 7	2:00	WAZ
2	<b>Ruby SERROUYA</b>	1	2	Nicolas VOGES	1 - 0	0:00	YUS
3	<b>Ruby SERROUYA</b>	1	2	Nicolas VOGES	1 - 0	0:00	YUS

## Results

Pos	Name
1	Ruby SERROUYA, REV
2	Nicolas VOGES, PEN

# U10-D4D

## Competitors

#	Name	Grade	Club	1	2	3	Wins	Pts	Pos
1	Kate BARANIESKI	5kYellow	KEL				0	0	3
2	Jesse MCMORRAN	5kYellow	KEL	10		5	2	15	1
3	Carver PELLETIER	5kYellow	REV	10			1	10	2

## Matches

Match	White			Blue	Result	Time	Code
1	Kate BARANIESKI	1	2	Jesse MCMORRAN	0 - 10	2:00	IPO
2	Kate BARANIESKI	1	3	Carver PELLETIER	0 - 10	0:00	IPO
3	Jesse MCMORRAN	2	3	Carver PELLETIER	5 - 0	2:00	YUK

## Results

Pos	Name
1	Jesse MCMORRAN, KEL
2	Carver PELLETIER, REV
3	Kate BARANIESKI, KEL

# U12-Nov-D5

## Competitors

#	Name	Grade	Club	1	2	3	4	Wins	Pts	Pos
1	Nadine BONDT	5kYellow/Orange	VERN		7	10		2	17	1
2	Kiyoshi COMLEY	5kYellow	VERN			5	5	2	10	3
3	Shyanne STEWART	5kYellow	KEL					0	0	4
4	Holly JOHNSTON	4kOrange	SBK	5		10		2	15	2

## Matches

Match	White	Blue	Result	Time	Code
1	Nadine BONDT	Kiyoshi COMLEY	7 - 0	2:00	WAZ
2	Shyanne STEWART	Holly JOHNSTON	0 - 10	2:00	IPO
3	Nadine BONDT	Shyanne STEWART	10 - 0	1:54	WIP
4	Kiyoshi COMLEY	Holly JOHNSTON	5 - 0	2:00	YUK
5	Nadine BONDT	Holly JOHNSTON	0 - 5	1:22	YUK
6	Kiyoshi COMLEY	Shyanne STEWART	5 - 0	2:00	YUK

## Results

Pos	Name
1	Nadine BONDT, VERN
2	Holly JOHNSTON, SBK
3	Kiyoshi COMLEY, VERN
4	Shyanne STEWART, KEL



# U12-Nov-D6

## Competitors

#	Name	Grade	Club	1	2	3	4	Wins	Pts	Pos
1	Aaron OKANO	4kOrange	ABER		10	5	10	3	25	1
2	Tiago MAURICE	4kOrange	ABER			5		1	5	3
3	Jack COUILLARD	5kYellow	SA					0	0	4
4	Kyle OBRIEN	5kYellow/Orange	VERN		1	10		2	11	2

## Matches

Match	White			Blue	Result	Time	Code
1	<b>Aaron OKANO</b>	1	2	Tiago MAURICE	10 - 0	2:00	WIP
2	Jack COUILLARD	3	4	<b>Kyle OBRIEN</b>	0 - 10	2:00	IPO
3	<b>Aaron OKANO</b>	1	3	Jack COUILLARD	5 - 0	2:00	YUK
4	Tiago MAURICE	2	4	<b>Kyle OBRIEN</b>	0 - 1	2:00	YUS
5	<b>Aaron OKANO</b>	1	4	Kyle OBRIEN	10 - 0	2:00	IPO
6	<b>Tiago MAURICE</b>	2	3	Jack COUILLARD	5 - 0	2:00	YUK

## Results

Pos	Name
1	Aaron OKANO, ABER
2	Kyle OBRIEN, VERN
3	Tiago MAURICE, ABER
4	Jack COUILLARD, SA

# U12-Nov-D7

## Competitors

#	Name	Grade	Club	1	2	3	4	Wins	Pts	Pos
1	Benjamin HARCOTT	5kYellow	KAM					0	0	4
2	Owen MEEKS	5kYellow	KAM	10				1	10	3
3	Nicholas SCHELLENBERGER	5kYellow	KEL	10	7			2	17	2
4	Graeme HANKS	4kOrange	ABER	10	10	10		3	30	1

## Matches

Match	White			Blue	Result	Time	Code
1	Benjamin HARCOTT	1	2	Owen MEEKS	0 - 10	2:00	IPO
2	Nicholas SCHELLENBERGER	3	4	Graeme HANKS	0 - 10	2:00	IPO
3	Benjamin HARCOTT	1	3	Nicholas SCHELLENBERGER	0 - 10	2:00	IPO
4	Owen MEEKS	2	4	Graeme HANKS	0 - 10	1:50	IPO
5	Benjamin HARCOTT	1	4	Graeme HANKS	0 - 10	1:08	IPO
6	Owen MEEKS	2	3	Nicholas SCHELLENBERGER	0 - 7	2:00	WAZ

## Results

Pos	Name
1	Graeme HANKS, ABER
2	Nicholas SCHELLENBERGER, KEL
3	Owen MEEKS, KAM
4	Benjamin HARCOTT, KAM

# U12-Nov-D8

## Competitors

#	Name	Grade	Club	1	2	3	4	Wins	Pts	Pos
1	Luca FATTOR	4kOrange	KAM		10			1	10	3
2	Cody BOLTON	4kOrange	KAM					0	0	4
3	Wyatt WEISSENBORN	4kOrange	SA	10	10		10	3	30	1
4	Drake WEISSENBORN	4kOrange	SA	5	2			2	7	2

## Matches

Match	White	Blue	Result	Time	Code
1	Luca FATTOR	Cody BOLTON	10 - 0	2:00	WIP
2	Wyatt WEISSENBORN	Drake WEISSENBORN	10 - 0	2:00	IPO
3	Luca FATTOR	Wyatt WEISSENBORN	0 - 10	1:24	IPO
4	Cody BOLTON	Drake WEISSENBORN	0 - 2	2:00	
5	Luca FATTOR	Drake WEISSENBORN	0 - 5	2:00	YUK
6	Cody BOLTON	Wyatt WEISSENBORN	0 - 10	2:00	IPO

## Results

Pos	Name
1	Wyatt WEISSENBORN, SA
2	Drake WEISSENBORN, SA
3	Luca FATTOR, KAM
4	Cody BOLTON, KAM

# U12-Nov-D9A

## Competitors

#	Name	Grade	Club	1	2	3	Wins	Pts	Pos
1	Joshua MCLACHLAN	5kYellow/Orange	VERN			10	1	10	1
2	Hayden KOROLUK	5kYellow	SA	1			1	1	3
3	Finn NEWCOMEN	5kYellow	KAM		10		1	10	2

## Matches

Match	White		Blue	Result	Time	Code
1	Joshua MCLACHLAN	1 2	Hayden KOROLUK	0 - 1	2:00	YUS
2	Joshua MCLACHLAN	1 3	Finn NEWCOMEN	10 - 0	2:00	IPO
3	Hayden KOROLUK	2 3	Finn NEWCOMEN	0 - 10	2:00	IPO

## Results

Pos	Name
1	Joshua MCLACHLAN, VERN
2	Finn NEWCOMEN, KAM
3	Hayden KOROLUK, SA

# U12-Nov-D9B

## Competitors

#	Name	Grade	Club	1	2	3	4	Wins	Pts	Pos
1	Gareth MITCHELL	5kYellow/Orange	POCO					0	0	4
2	Jesse WALLS	5kYellow/Orange	PEN	10		10	10	3	30	1
3	Aidan CIANCI	5kYellow	KAM	5				1	5	3
4	Layne SESSA	5kYellow	REV	5		10		2	15	2

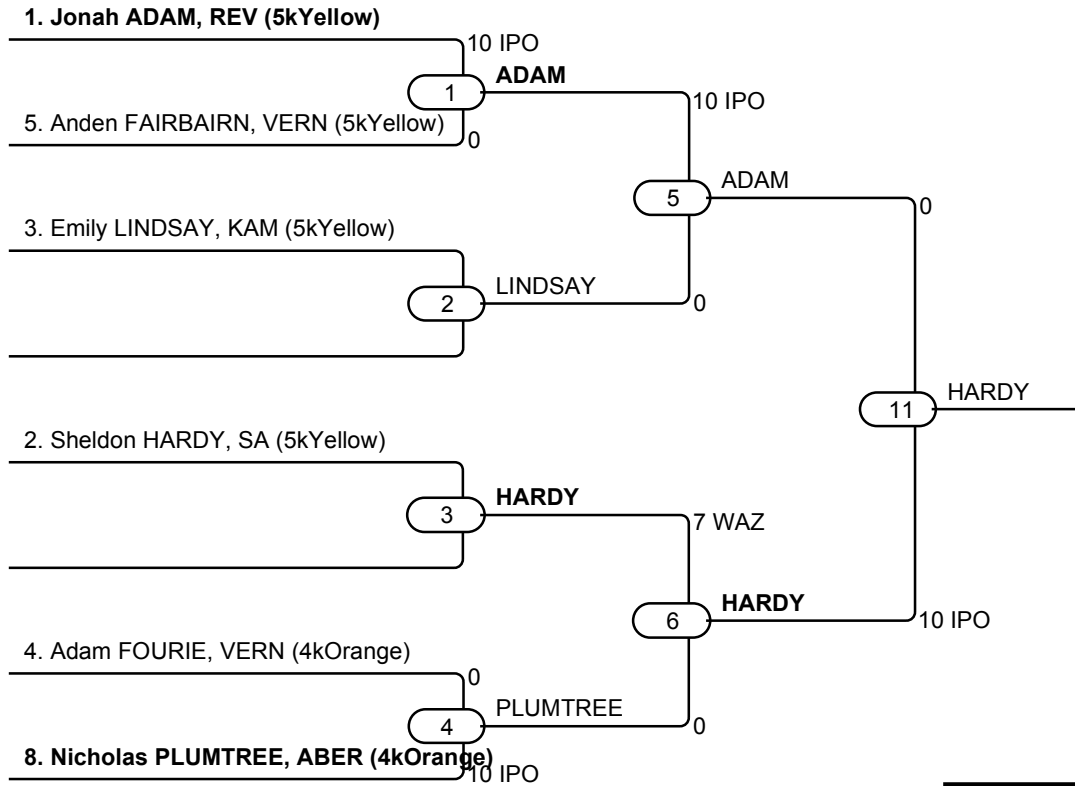
## Matches

Match	White	Blue	Result	Time	Code
1	Gareth MITCHELL 1 2	Jesse WALLS	0 - 10	2:00	WIP
2	Aidan CIANCI 3 4	Layne SESSA	0 - 10	2:00	IPO
3	Gareth MITCHELL 1 3	Aidan CIANCI	0 - 5	2:00	YUK
4	Jesse WALLS 2 4	Layne SESSA	10 - 0	2:00	IPO
5	Gareth MITCHELL 1 4	Layne SESSA	0 - 5	2:00	YUK
6	Jesse WALLS 2 3	Aidan CIANCI	10 - 0	2:00	WIP

## Results

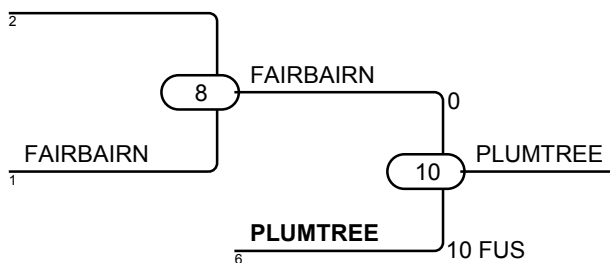
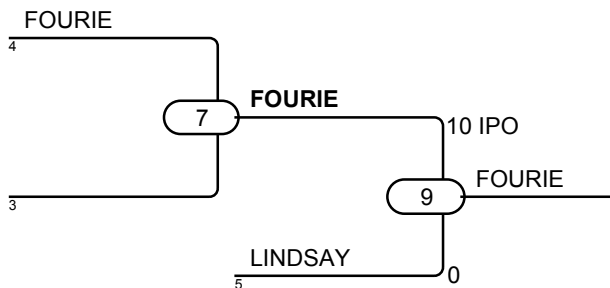
Pos	Name
1	Jesse WALLS, PEN
2	Layne SESSA, REV
3	Aidan CIANCI, KAM
4	Gareth MITCHELL, POCO

# U12-Nov-D9C

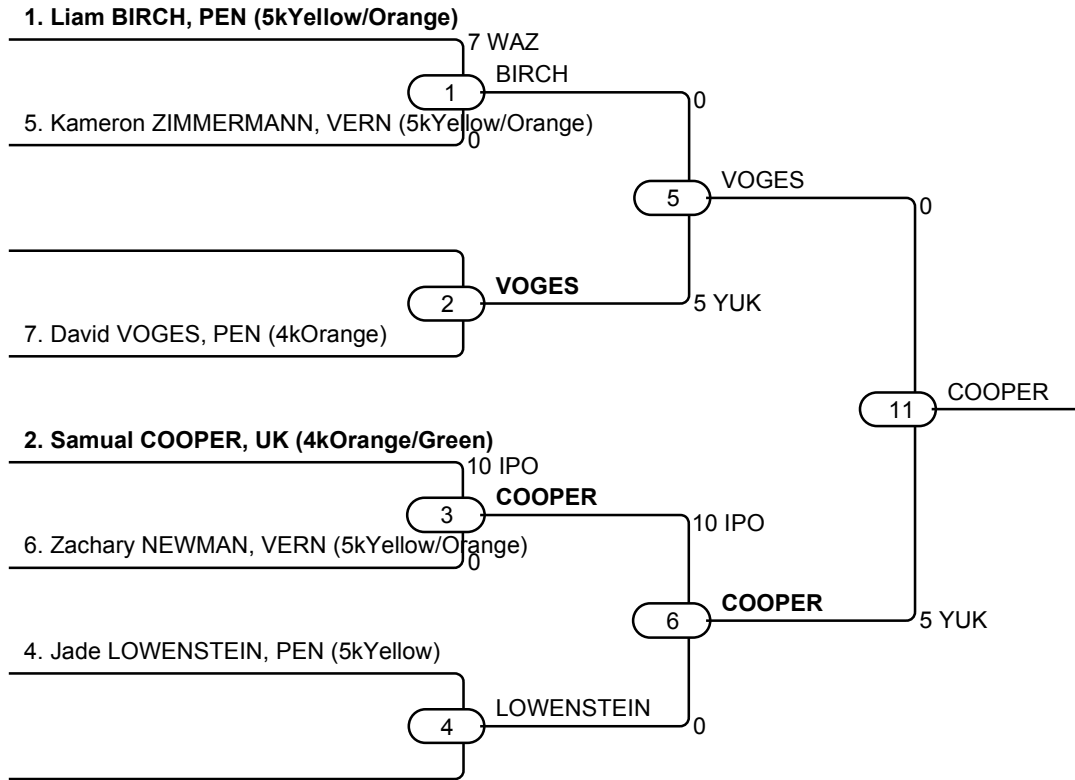


## Results

Pos	Name
1	Sheldon HARDY, SA
2	Jonah ADAM, REV
3	Adam FOURIE, VERN
3	Nicholas PLUMTREE, ABER

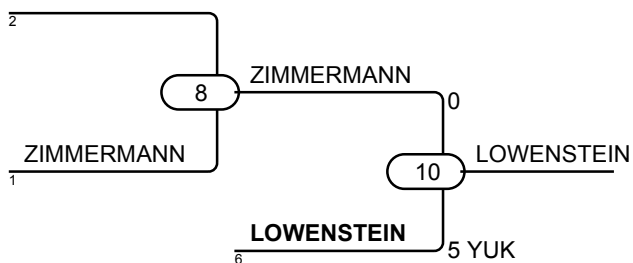
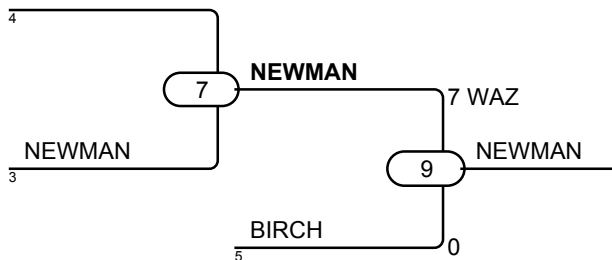


# U12-Nov-D9D



## Results

Pos	Name
1	Samual COOPER, UK
2	David VOGES, PEN
3	Zachary NEWMAN, VERN
3	Jade LOWENSTEIN, PEN



# U12-Nov-D9E

## Competitors

#	Name	Grade	Club	1	2	3	Wins	Pts	Pos
1	Nathan TISHENKO	5kYellow/Orange	VERN		1	5	2	6	1
2	Samantha HARDY	5kYellow	SA				0	0	3
3	Joe MURPHY	5kYellow	REV		7		1	7	2

## Matches

Match	White		Blue	Result	Time	Code	
1	Nathan TISHENKO	1	2	Samantha HARDY	1 - 0	0:00	YUS
2	Nathan TISHENKO	1	3	Joe MURPHY	5 - 0	2:00	YUK
3	Samantha HARDY	2	3	Joe MURPHY	0 - 7	2:00	WAZ

## Results

Pos	Name
1	Nathan TISHENKO, VERN
2	Joe MURPHY, REV
3	Samantha HARDY, SA



# U14-Nov-D15

## Competitors

#	Name	Grade	Club	1	2	3	Wins	Pts	Pos
1	Karl ARGUE	5kYellow	POCO				0	0	3
2	Thaddeus BONDT	4kOrange/Green	VERN	10		10	2	20	1
3	Olivia SHEEHAN	3kGreen	CAMPB	10			1	10	2

## Matches

Match	White		Blue	Result	Time	Code
1	Karl ARGUE	1	2 Thaddeus BONDT	0 - 10	0:00	IPO
2	Karl ARGUE	1	3 Olivia SHEEHAN	0 - 10	0:00	IPO
3	Thaddeus BONDT	2	3 Olivia SHEEHAN	10 - 0	0:00	IPO

## Results

Pos	Name
1	Thaddeus BONDT, VERN
2	Olivia SHEEHAN, CAMPB
3	Karl ARGUE, POCO

# U14M-D30

## Competitors

#	Name	Grade	Club	1	2	1	2	1	2	Wins	Pts	Pos
1	Wyatt AUCH	3kGreen	LC							0	0	2
2	Matthew HANKS	3kGreen	ABER	10		10				2	20	1

## Matches

Match	White			Blue	Result	Time	Code
1	Wyatt AUCH	1	2	Matthew HANKS	0 - 10	0:00	IPO
2	Wyatt AUCH	1	2	Matthew HANKS	0 - 10	0:00	IPO
3	Wyatt AUCH	1	2	Matthew HANKS			

## Results

Pos	Name
1	Matthew HANKS, ABER
2	Wyatt AUCH, LC

# U14M-D31

## Competitors

#	Name	Grade	Club	1	2	1	2	1	2	Wins	Pts	Pos
1	Kyle QUALTIERI	3kGreen	CRES		10					1	10	2
2	Jackson BRADLEY	3kGreen	STEV			10		10		2	20	1

## Matches

Match	White			Blue	Result	Time	Code
1	Kyle QUALTIERI	1	2	Jackson BRADLEY	10 - 0	0:00	IPO
2	Kyle QUALTIERI	1	2	Jackson BRADLEY	0 - 10	0:00	IPO
3	Kyle QUALTIERI	1	2	Jackson BRADLEY	0 - 10	0:00	IPO

## Results

Pos	Name
1	Jackson BRADLEY, STEV
2	Kyle QUALTIERI, CRES

# U14M-Nov-D16

## Competitors

#	Name	Grade	Club	1	2	3	Wins	Pts	Pos
1	Nicholas ZHOU	5kYellow	KAM			7	1	7	3
2	Andrew SPINA	5kYellow/Orange	KAM	10			1	10	2
3	Cole OGASAWARA	5kYellow	VERN		10		1	10	1

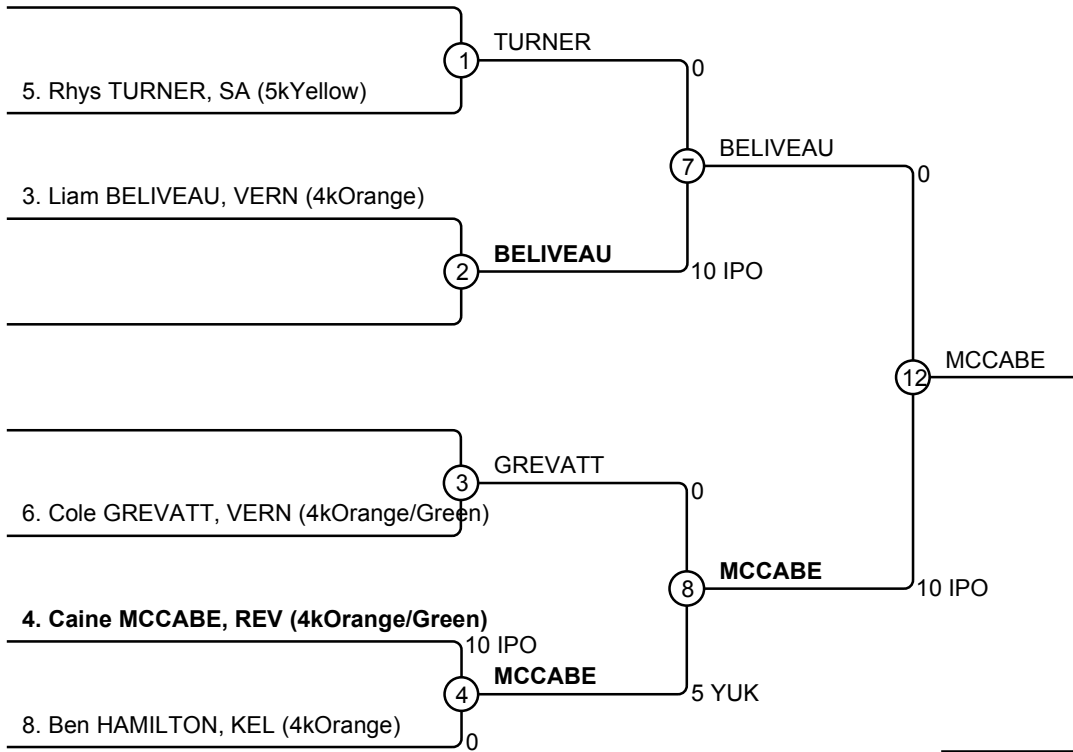
## Matches

Match	White			Blue	Result	Time	Code
1	Nicholas ZHOU	1	2	Andrew SPINA	0 - 10	0:00	IPO
2	Nicholas ZHOU	1	3	Cole OGASAWARA	7 - 0	0:00	WAZ
3	Andrew SPINA	2	3	Cole OGASAWARA	0 - 10	0:00	IPO

## Results

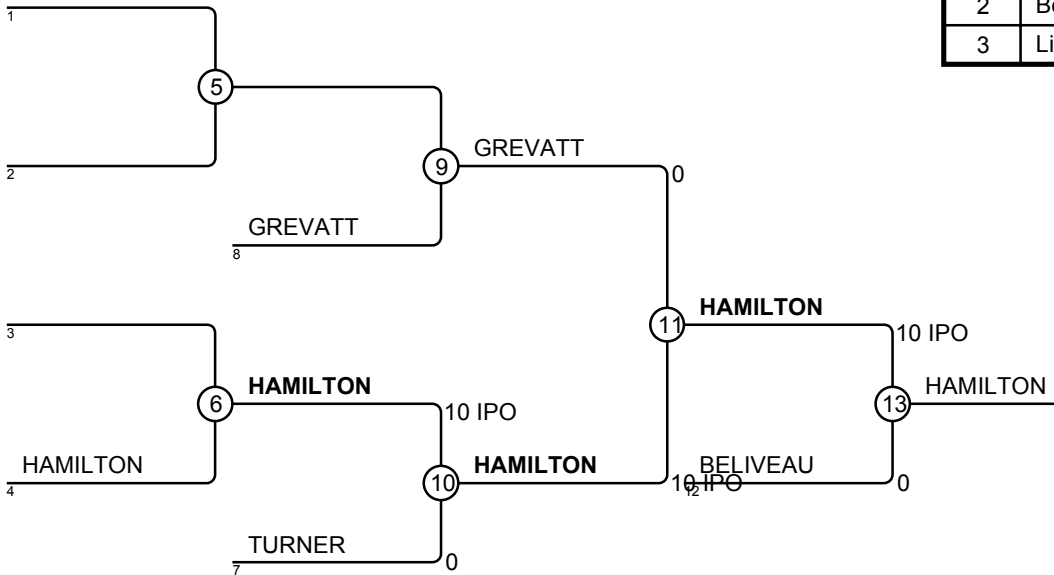
Pos	Name
1	Cole OGASAWARA, VERN
2	Andrew SPINA, KAM
3	Nicholas ZHOU, KAM

# U14M-Nov-D17



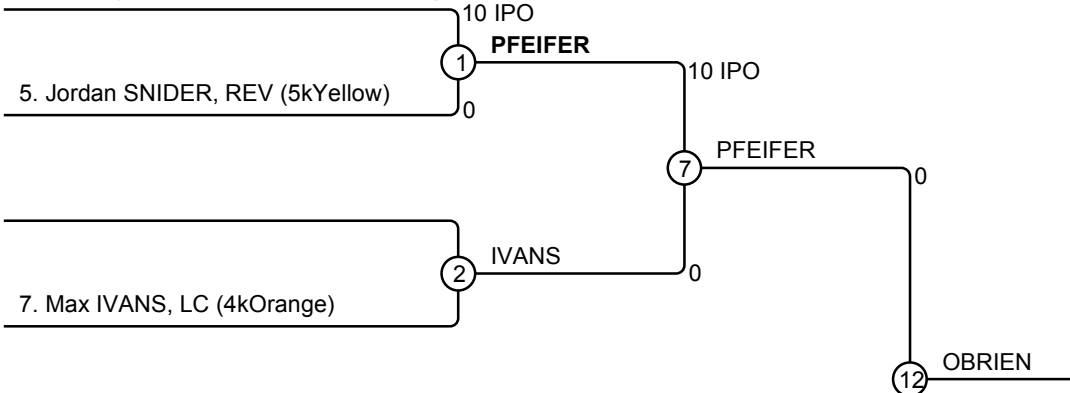
## Results

Pos	Name
1	Caine MCCABE, REV
2	Ben HAMILTON, KEL
3	Liam BELIVEAU, VERN

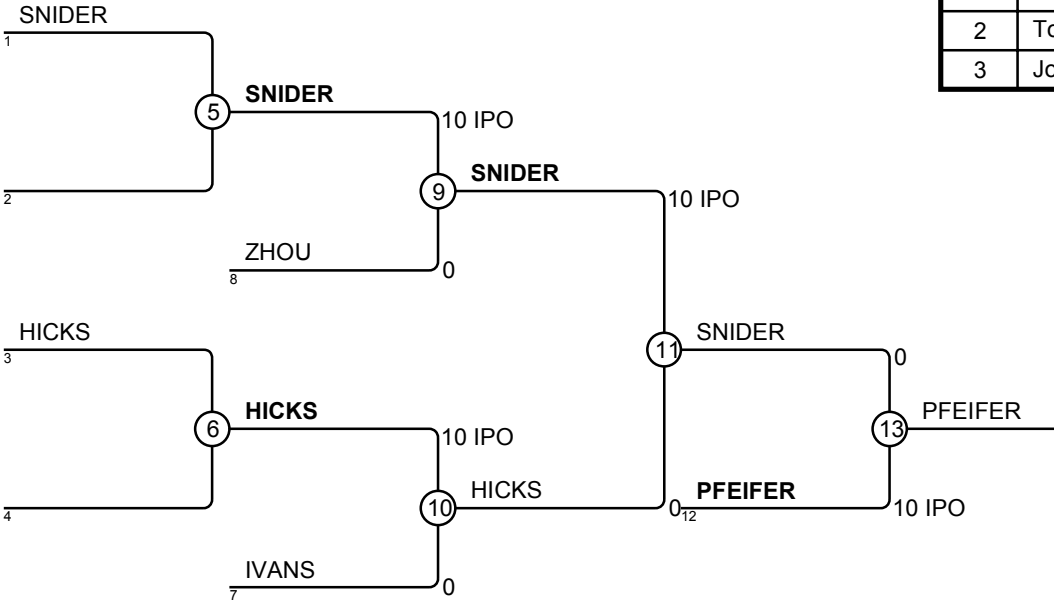
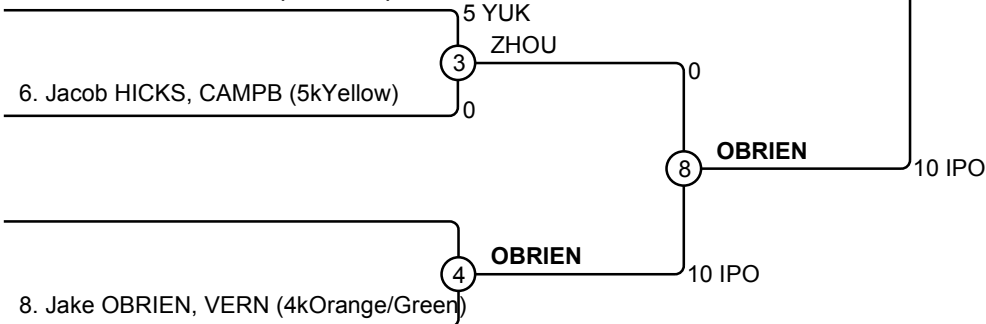


# U14M-Nov-D18

## 1. Tommy PFEIFER, CAMPB (4kOrange/Green)



## 2. Michael ZHOU, KAM (5kYellow)



## Results

Pos	Name
1	Jake OBRIEN, VERN
2	Tommy PFEIFER, CAMPB
3	Jordan SNIDER, REV

# U14M-Nov-D19A

## Competitors

#	Name	Grade	Club	1	2	3	4	Wins	Pts	Pos
1	Van LUPIEN	4kOrange	STEV		10	7	7	3	24	1
2	Steven HARDY	5kYellow	SA					0	0	4
3	Migs MERCADO	4kOrange	ABBOT		7		7	2	14	2
4	Simon POZSONYI	4kOrange	POCO		10			1	10	3

## Matches

Match	White	Blue	Result	Time	Code
1	Van LUPIEN	1 2 Steven HARDY	10 - 0	0:00	IPO
2	Migs MERCADO	3 4 Simon POZSONYI	7 - 0	0:00	WAZ
3	Van LUPIEN	1 3 Migs MERCADO	7 - 0	0:00	WAZ
4	Steven HARDY	2 4 Simon POZSONYI	0 - 10	0:00	IPO
5	Van LUPIEN	1 4 Simon POZSONYI	7 - 0	0:00	WAZ
6	Steven HARDY	2 3 Migs MERCADO	0 - 7	0:00	WAZ

## Results

Pos	Name
1	Van LUPIEN, STEV
2	Migs MERCADO, ABBOT
3	Simon POZSONYI, POCO
4	Steven HARDY, SA

# U14M-Nov-D19B

## Competitors

#	Name	Grade	Club	1	2	3	Wins	Pts	Pos
1	Caleb MILLARD	4kOrange	PEN		10	10	2	20	1
2	Matthew CIARDULLO	5kYellow	KAM				0	0	3
3	oliver CORLEY	4kOrange/Green	REV		10		1	10	2

## Matches

Match	White	Blue	Result	Time	Code
1	Caleb MILLARD	1 2 Matthew CIARDULLO	10 - 0	0:00	IPO
2	Caleb MILLARD	1 3 oliver CORLEY	10 - 0	0:00	IPO
3	Matthew CIARDULLO	2 3 oliver CORLEY	0 - 10	0:00	IPO

## Results

Pos	Name
1	Caleb MILLARD, PEN
2	oliver CORLEY, REV
3	Matthew CIARDULLO, KAM



# U14W-D25

## Competitors

#	Name	Grade	Club	1	2	1	2	1	2	Wins	Pts	Pos
1	Caleigh KURAMOTO	3kGreen	STEV		7					1	7	2
2	Kiara ENDEAN	3kGreen	ABER			5		5		2	10	1

## Matches

Match	White			Blue	Result	Time	Code
1	Caleigh KURAMOTO	1	2	Kiara ENDEAN	7 - 0	0:00	WAZ
2	Caleigh KURAMOTO	1	2	Kiara ENDEAN	0 - 5	0:00	YUK
3	Caleigh KURAMOTO	1	2	Kiara ENDEAN	0 - 5	0:00	YUK

## Results

Pos	Name
1	Kiara ENDEAN, ABER
2	Caleigh KURAMOTO, STEV

# U14W-D26

## Competitors

#	Name	Grade	Club	1	2	1	2	1	2	Wins	Pts	Pos
1	Brae BOOTH	3kGreen	CRES		10				10	2	20	1
2	Abby FREEBORN	2kBlue	LC			5				1	5	2

## Matches

Match	White			Blue	Result	Time	Code
1	<b>Brae BOOTH</b>	1	2	Abby FREEBORN	10 - 0	0:00	IPO
2	Brae BOOTH	1	2	<b>Abby FREEBORN</b>	0 - 5	0:00	YUK
3	<b>Brae BOOTH</b>	1	2	Abby FREEBORN	10 - 0	0:00	IPO

## Results

Pos	Name
1	Brae BOOTH, CRES
2	Abby FREEBORN, LC

# U14W-Nov-D10

## Competitors

#	Name	Grade	Club	1	2	3	Wins	Pts	Pos
1	Halo HOUGHTON	4kOrange	KAM		10	10	2	20	1
2	Kyla MCLACHLAN	4kOrange/Green	VERN				0	0	3
3	Cheyann ALBERT	4kOrange	CRES		10		1	10	2

## Matches

Match	White		Blue	Result	Time	Code	
1	Halo HOUGHTON	1	2	Kyla MCLACHLAN	10 - 0	0:00	IPO
2	Halo HOUGHTON	1	3	Cheyann ALBERT	10 - 0	0:00	IPO
3	Kyla MCLACHLAN	2	3	Cheyann ALBERT	0 - 10	0:00	IPO

## Results

Pos	Name
1	Halo HOUGHTON, KAM
2	Cheyann ALBERT, CRES
3	Kyla MCLACHLAN, VERN

# U16M-D58

## Competitors

#	Name	Grade	Club	1	2	1	2	1	2	Wins	Pts	Pos
1	Josh HAMILTON	3kGreen	KEL							0	0	2
2	Ben LEATHERDALE	3kGreen	KEL							0	0	1

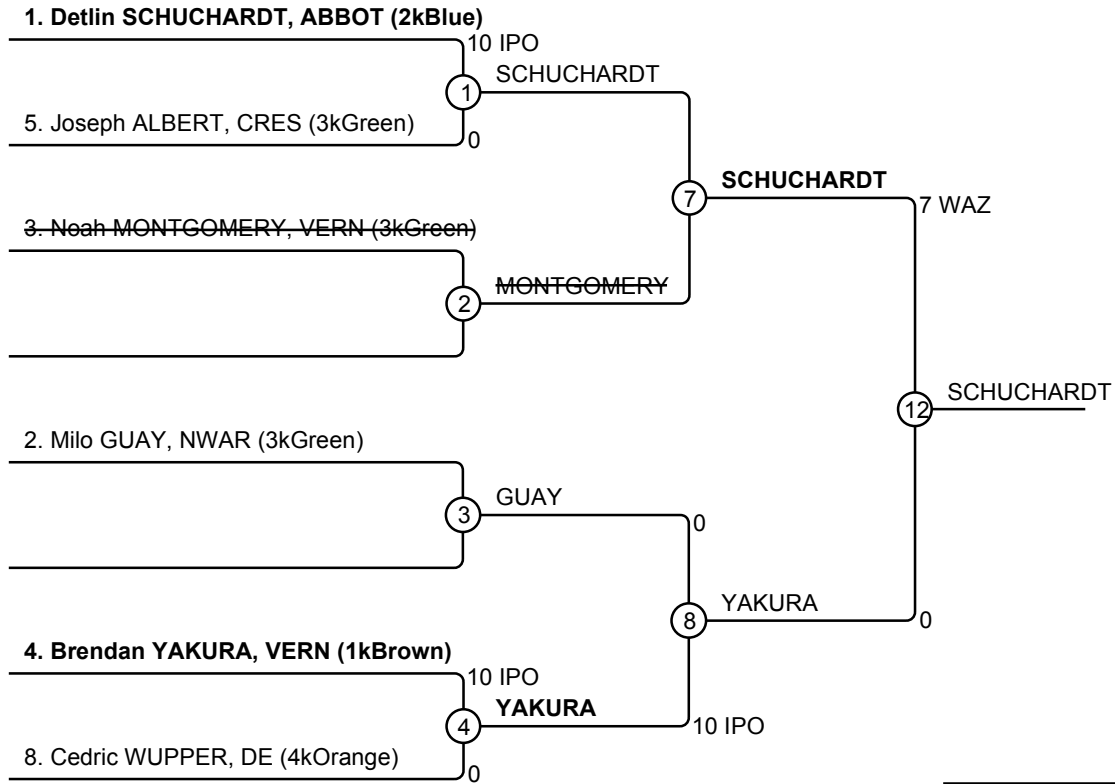
## Matches

Match	White	Blue	Result	Time	Code
1	Josh HAMILTON	1 2 Ben LEATHERDALE			
2	Josh HAMILTON	1 2 Ben LEATHERDALE			
3	Josh HAMILTON	1 2 Ben LEATHERDALE			

## Results

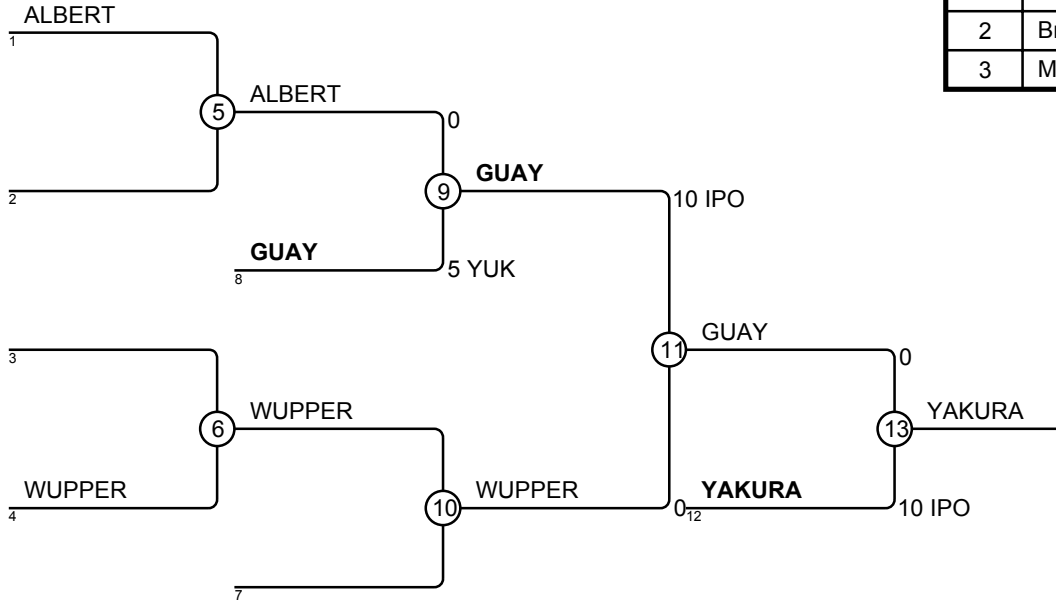
Pos	Name
1	Ben LEATHERDALE, KEL
2	Josh HAMILTON, KEL

# U16M-D61

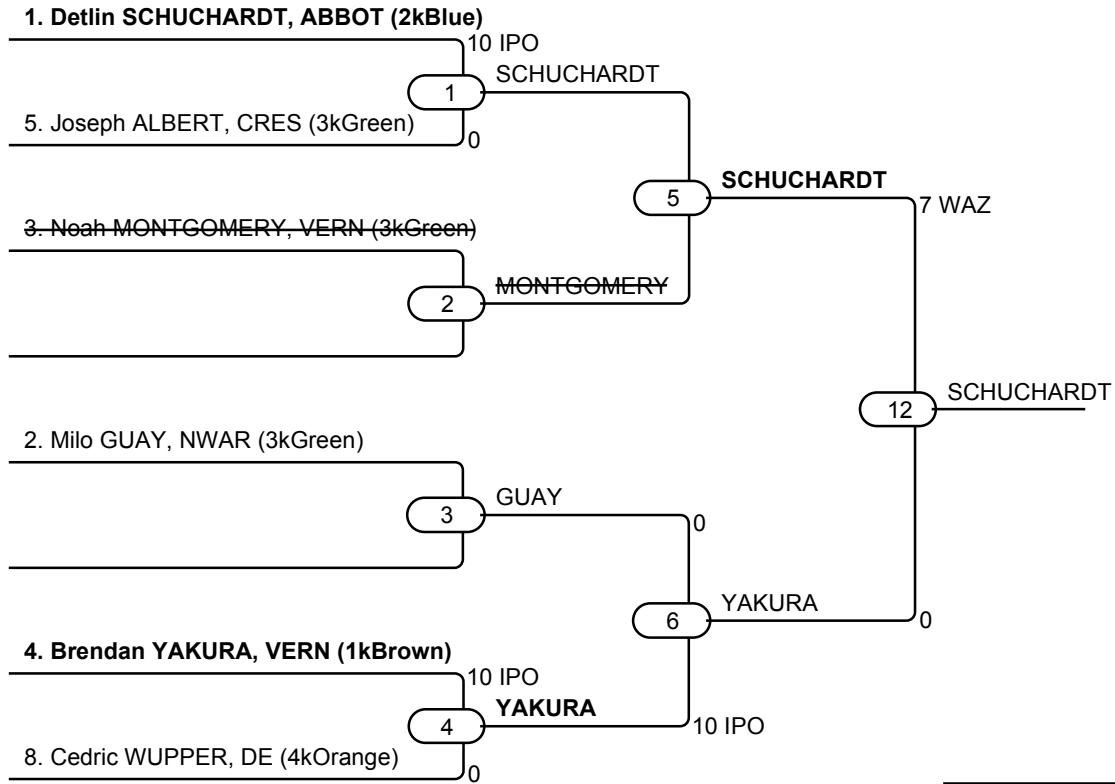


## Results

Pos	Name
1	Detlin SCHUCHARDT, ABBOT
2	Brendan YAKURA, VERN
3	Milo GUAY, NWAR

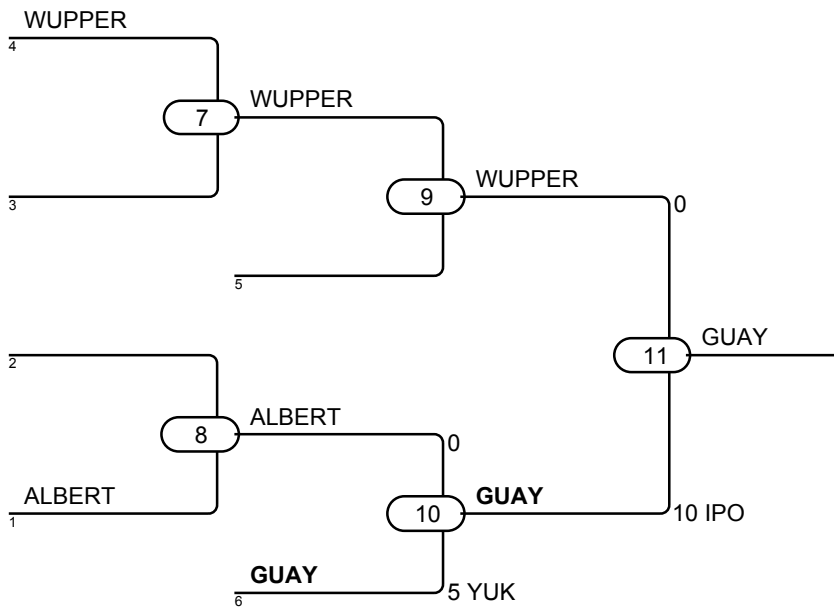


# U16M-D61TB



## Results

Pos	Name
1	Detlin SCHUCHARDT, ABBOT
2	Brendan YAKURA, VERN
3	Milo GUAY, NWAR
3	Cedric WUPPER, DE



# U16M-D63

## Competitors

#	Name	Grade	Club	1	2	1	2	1	2	Wins	Pts	Pos
1	Ben HAUGHTON	3kGreen	KAM		10		10			2	20	1
2	James TJERNAGEL	3kGreen	POCO							0	0	2

## Matches

Match	White			Blue	Result	Time	Code
1	Ben HAUGHTON	1	2	James TJERNAGEL	10 - 0	0:00	IPO
2	Ben HAUGHTON	1	2	James TJERNAGEL	10 - 0	0:00	IPO
3	Ben HAUGHTON	1	2	James TJERNAGEL			

## Results

Pos	Name
1	Ben HAUGHTON, KAM
2	James TJERNAGEL, POCO

# U16M-Nov-D40

## Competitors

#	Name	Grade	Club	1	2	1	2	1	2	Wins	Pts	Pos
1	Jamieson BENNETT	4k	Orange/Greek KAM				10		10	2	20	1
2	Caleb MCINTYRE	5k	Yellow REV	7						1	7	2

## Matches

Match	White			Blue	Result	Time	Code
1	Jamieson BENNETT	1	2	Caleb MCINTYRE	0 - 7	0:00	WAZ
2	Jamieson BENNETT	1	2	Caleb MCINTYRE	10 - 0	0:00	IPO
3	Jamieson BENNETT	1	2	Caleb MCINTYRE	10 - 0	0:00	IPO

## Results

Pos	Name
1	Jamieson BENNETT, KAM
2	Caleb MCINTYRE, REV



# U16M-Nov-D42

## Competitors

#	Name	Grade	Club	1	2	1	2	1	2	Wins	Pts	Pos
1	Gage ANDROSHAK	4kOrange	CRES				10		7	2	17	1
2	Mickevory SLUZ	5kYellow	CRES	10						1	10	2

## Matches

Match	White			Blue	Result	Time	Code
1	Gage ANDROSHAK	1	2	Mickevory SLUZ	0 - 10	0:00	IPO
2	Gage ANDROSHAK	1	2	Mickevory SLUZ	10 - 0	0:00	IPO
3	Gage ANDROSHAK	1	2	Mickevory SLUZ	7 - 0	0:00	WAZ

## Results

Pos	Name
1	Gage ANDROSHAK, CRES
2	Mickevory SLUZ, CRES

# U16W-Nov-D35

## Competitors

#	Name	Grade	Club	1	2	3	Wins	Pts	Pos
1	Casey BOURASSA	4kOrange	SA		5	10	2	15	1
2	Kendall TURNER	5kYellow	SA			7	1	7	2
3	Mira BACKUS	5kYellow	POCO				0	0	3

## Matches

Match	White	Blue	Result	Time	Code
1	Casey BOURASSA	1 2 Kendall TURNER	5 - 0	0:00	YUK
2	Casey BOURASSA	1 3 Mira BACKUS	10 - 0	0:00	IPO
3	Kendall TURNER	2 3 Mira BACKUS	7 - 0	0:00	WAZ

## Results

Pos	Name
1	Casey BOURASSA, SA
2	Kendall TURNER, SA
3	Mira BACKUS, POCO

# U18M-D109

## Competitors

#	Name	Grade	Club	1	2	1	2	1	2	Wins	Pts	Pos
1	Braeden DAVIS	3kGreen	NCAP							0	0	2
2	Bailey LEATHERDALE	1kBrown	KEL	10		10				2	20	1

## Matches

Match	White			Blue	Result	Time	Code
1	Braeden DAVIS	1	2	Bailey LEATHERDALE	0 - 10	0:00	IPO
2	Braeden DAVIS	1	2	Bailey LEATHERDALE	0 - 10	0:00	IPO
3	Braeden DAVIS	1	2	Bailey LEATHERDALE			

## Results

Pos	Name
1	Bailey LEATHERDALE, KEL
2	Braeden DAVIS, NCAP

# U18M-D110

## Competitors

#	Name	Grade	Club	1	2	1	2	1	2	Wins	Pts	Pos
1	Devin DUNLOP	2kBlue	VERN		10		10			2	20	1
2	Jaden JONES	3kGreen	VERN							0	0	2

## Matches

Match	White			Blue	Result	Time	Code
1	Devin DUNLOP	1	2	Jaden JONES	10 - 0	0:00	IPO
2	Devin DUNLOP	1	2	Jaden JONES	10 - 0	0:00	IPO
3	Devin DUNLOP	1	2	Jaden JONES			

## Results

Pos	Name
1	Devin DUNLOP, VERN
2	Jaden JONES, VERN

# U18M-D83

## Competitors

#	Name	Grade	Club	1	2	3	Wins	Pts	Pos
1	Ty CAREY	1kBrown	PEN			10	1	10	2
2	Drew RAMSAY	1kBrown	ABER	10		10	2	20	1
3	Dallin HOUSTON	3kGreen	VERN				0	0	3

## Matches

Match	White			Blue	Result	Time	Code
1	Ty CAREY	1	2	Drew RAMSAY	0 - 10	0:00	IPO
2	Ty CAREY	1	3	Dallin HOUSTON	10 - 0	0:00	IPO
3	Drew RAMSAY	2	3	Dallin HOUSTON	10 - 0	0:00	IPO

## Results

Pos	Name
1	Drew RAMSAY, ABER
2	Ty CAREY, PEN
3	Dallin HOUSTON, VERN

# U18M-D85

## Competitors

#	Name	Grade	Club	1	2	3	Wins	Pts	Pos
1	Detlin SCHUCHARDT	2kBlue	ABBOT		7	10	2	17	1
2	Kauner JONES	2kBlue	VERN			10	1	10	2
3	Braeden DAVIS	3kGreen	NCAP				0	0	3

## Matches

Match	White		Blue	Result	Time	Code
1	Detlin SCHUCHARDT	1	2 Kauner JONES	7 - 0	0:00	WAZ
2	Detlin SCHUCHARDT	1	3 Braeden DAVIS	10 - 0	0:00	IPO
3	Kauner JONES	2	3 Braeden DAVIS	10 - 0	0:00	IPO

## Results

Pos	Name
1	Detlin SCHUCHARDT, ABBOT
2	Kauner JONES, VERN
3	Braeden DAVIS, NCAP

# U18M-D88

## Competitors

#	Name	Grade	Club	1	2	1	2	1	2	Wins	Pts	Pos
1	Jake MISKY	2kBlue	CAMPB		10		10			2	20	1
2	Liam MCCABE	2kBlue	REV							0	0	2

## Matches

Match	White			Blue	Result	Time	Code
1	Jake MISKY	1	2	Liam MCCABE	10 - 0	0:00	IPO
2	Jake MISKY	1	2	Liam MCCABE	10 - 0	0:00	IPO
3	Jake MISKY	1	2	Liam MCCABE			

## Results

Pos	Name
1	Jake MISKY, CAMPB
2	Liam MCCABE, REV

# U18W-D78

## Competitors

#	Name	Grade	Club	1	2	1	2	1	2	Wins	Pts	Pos
1	Morgan ENDEAN	2kBlue	ABER							0	0	2
2	Haley HENRY	1kBrown	CAMPB	10		10				2	20	1

## Matches

Match	White			Blue	Result	Time	Code
1	Morgan ENDEAN	1	2	Haley HENRY	0 - 10	0:00	IPO
2	Morgan ENDEAN	1	2	Haley HENRY	0 - 10	0:00	IPO
3	Morgan ENDEAN	1	2	Haley HENRY			

## Results

Pos	Name
1	Haley HENRY, CAMPB
2	Morgan ENDEAN, ABER



2015 BC OPEN KATA COMPETITION

CLUB	TEAM	FEES	Tori	Uke
CRES 3K	*ALBERT Joseph/*ANDROSHAK Gage	20	3-kyu	4-kyu
CRES 3K	*SAMUELSON Leelen/ANDROSHAK Declan	20	1-dan	5-kyu
KAM 3K	NAGY Chantell/NAGY Jessica	40	3-kyu	3-kyu
CRES 5K	*SAMULELSON Leelen/*ALBERT Joseph	0	1-dan	3-kyu
POCO 5K	ARGUE Tom/MORRIS John	0	2-dan	4-dan
ABER 5K	ENDEAN Brad/LEE Bill	40	1-kyu	2-dan
NWAR5K	GELINAS Isabelle/HEATON Sheena	0	1-kyu	5-kyu
CAMP GJ	YULE Darcy/PETERSEN Chris	20	4-dan	2-dan
NWARJK	AVEY Anna/AVEY Mark	40	4-kyu	4-kyu
STEV JK	HALL Sean/WHISHAW Paul	40	4-dan	5-dan
CAMP KK	*PETERSEN Chris/YULE Darcy	0	2-dan	4-dan
POCO KK	DRIESCHNER Chris/ARGUE Tom	0	2-dan	2-dan
STEV 5K	HALL Sean/WHISHAW Paul	40	4-dan	5-dan

ABER Aberdeen  
 CAMPB Campbell River  
 CRES Creston  
 KAM Kamloops  
 NWAR Northern Warrior (Dawson Creek)  
 POCO Port Coquitlam  
 STEV Steveston

## Judo BC Grading Board Kata Score Sheet

#	Tori /Uki	Judge #1	Judge #2	Judge #3	Judge #4	Judge #5	Total
1	Petersen, Chris/ Yule, Darcy	119	122	116			357
2	Drieschner, Chris/ Argue, Tom	119	124	108			351
3	Hall, Sean/ Whishaw, Paul	114	119	112			345
4	Avey, Anna/ Avey, Mark	57	80	74			211
13	Yule, Darcy/ Petersen, Chris	158	160	153			471
5	Samuelson, Leelan/ Albert, Joseph	60	95	101			256
6	Argue, Tom/ Morris, John	128	127	125			380
7	Endean, Brad/ Lee, Bill	89	106	103			298
8	Gelinas, Isabelle/ Heaton, Sheena	80	110	109			299
9	Whishaw, Paul/ Hall, Sean	115	122	120			357

SATAIME  
NO-KATA

JU-NO-  
KATA

GOSHIN

NAGE  
NO-KATA  
(5)

1st

2ND

1st

2ND

1st

1st

3rd

2ND

## Judo BC Grading Board Kata Score Sheet

#	Tori /Uki	Judge # 1	Judge # 2	Judge # 3	Judge # 4	Judge # 5	Total
	Albert, Joseph/ Androsnak, Gage	39	63	59			161
	Samuelson, Leelan/ Androsnak, Declan	40	69	63			172
	Nagy, Charitell/ Nagy, Jessica	71	82	81			234

NAGE  
10-KATA  
③

3RD  
2ND  
1st