

Int.Men -100kg

Competitors/Compétiteurs

#	Name/Nom	Grade	Club	1	2	3	W/G	Pts	Pos
1	Donald BACKUS (100,00)	Green	Univ. of Washington		10	10	2	20	1
2	Mike THOMPSON (90,00)	Green	Victoria Judo BC			10	1	10	2
3	Neil BARNETSON (100,00)	Blue	Nanaimo Judo BC				0	0	3

Matches/Matches

Match	White/Blanc			Blue/Bleu	Res/Rés	Tim/Tmp	Code
1	Donald BACKUS	1	2	Mike THOMPSON	10 - 0	0:39	IPO
2	Donald BACKUS	1	3	Neil BARNETSON	10 - 0	0:51	IPO
3	Mike THOMPSON	2	3	Neil BARNETSON	10 - 0	0:26	IPO

Results/Résultats

Pos	Name/Nom
1	Donald BACKUS, Univ. of Washington
2	Mike THOMPSON, Victoria Judo BC

Int.Men -66kg

Competitors/Compétiteurs

#	Name/Nom	Grade	Club	1	2	1	2	1	2	W/G	Pts	Pos
1	Peter KIM (60,00)	Green	UBC Judo Club		10				7	2	17	
2	Isaiah ARNDT (66,00)	Green	Ippon Judo WA									

Matches/Matches

Match	White/Blanc			Blue/Bleu	Res/Rés	Tim/Tmp	Code
1	Peter KIM	1	2	Isaiah ARNDT	10 - 0	0:00	WIP
2	Peter KIM	1	2	Isaiah ARNDT			
3	Peter KIM	1	2	Isaiah ARNDT	7 - 0	4:00	WAZ

Results/Résultats

Pos	Name/Nom

Int.Men -81kg

Competitors/Compétiteurs

#	Name/Nom	Grade	Club	1	2	3	4	W/G	Pts	Pos
1	Riley TURNER (81,00)	Blue	Police Judo BC					0	0	4
2	Jordan HARRIS (81,00)	Green	Abbotsford Judo BC	10			10	2	20	2
3	Tim LYON (81,00)	Blue	Victoria Judo BC	10	10		10	3	30	1
4	Justin LANG (81,00)	Green	Steveston Judo BC	10				1	10	3

Matches/Matches

Match	White/Blanc			Blue/Bleu	Res/Rés	Tim/Tmp	Code
1	Riley TURNER	1	2	Jordan HARRIS	0 - 10	0:00	IPO
2	Tim LYON	3	4	Justin LANG	10 - 0	1:20	WIP
3	Riley TURNER	1	3	Tim LYON	0 - 10	1:06	IPO
4	Jordan HARRIS	2	4	Justin LANG	10 - 0	0:25	IPO
5	Riley TURNER	1	4	Justin LANG	0 - 10	1:00	IPO
6	Jordan HARRIS	2	3	Tim LYON	0 - 10	0:00	IPO

Results/Résultats

Pos	Name/Nom
1	Tim LYON, Victoria Judo BC
2	Jordan HARRIS, Abbotsford Judo BC
3	Justin LANG, Steveston Judo BC

U18 Women -48kg

Competitors/Compétiteurs

#	Name/Nom	Grade	Club	1	2	3	4	W/G	Pts	Pos
1	Saisha MORALES (48,00)	Blue	Ippon Judo WA			10		1	10	3
2	VIRGINIA NEMETH (48,00)	Shodan	LETHBRIDGE KYODOKAN			10		2	20	2
3	Akela SZASZ (48,00)	Blue	Nanaimo Judo BC					0	0	4
4	TAEYA KOLIASKA (48,10)	Shodan	LETHBRIDGE KYODOKAN	7	10			3	27	1

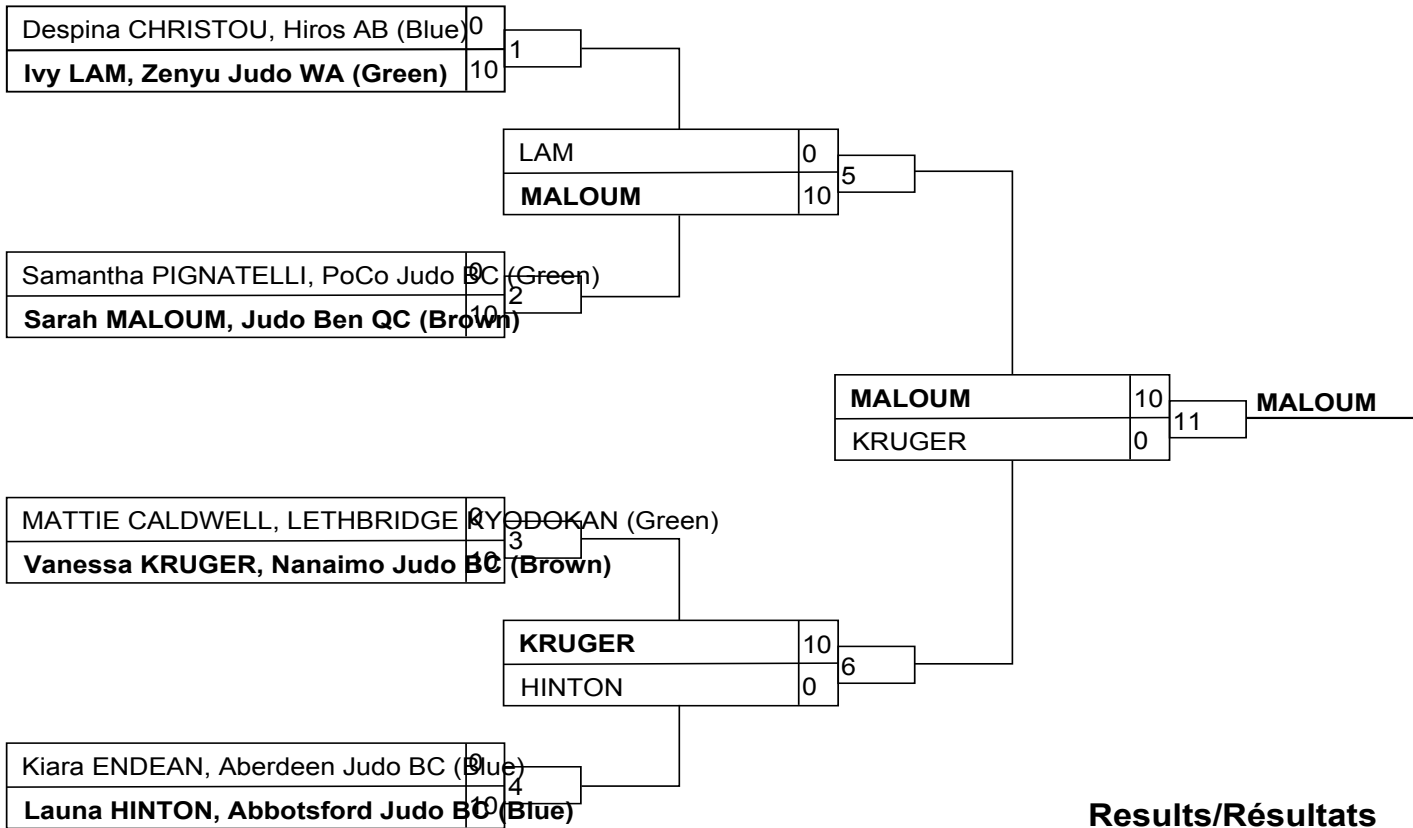
Matches/Matches

Match	White/Blanc			Blue/Bleu	Res/Rés	Tim/Tmp	Code
1	Saisha MORALES	1	2	VIRGINIA NEMETH	0 - 10	1:59	IPO
2	Akela SZASZ	3	4	TAEYA KOLIASKA	0 - 10	0:00	IPO
3	Saisha MORALES	1	3	Akela SZASZ	10 - 0	0:00	IPO
4	VIRGINIA NEMETH	2	4	TAEYA KOLIASKA	0 - 7	0:00	WAZ
5	Saisha MORALES	1	4	TAEYA KOLIASKA	0 - 10	2:30	IPO
6	VIRGINIA NEMETH	2	3	Akela SZASZ	10 - 0	0:53	IPO

Results/Résultats

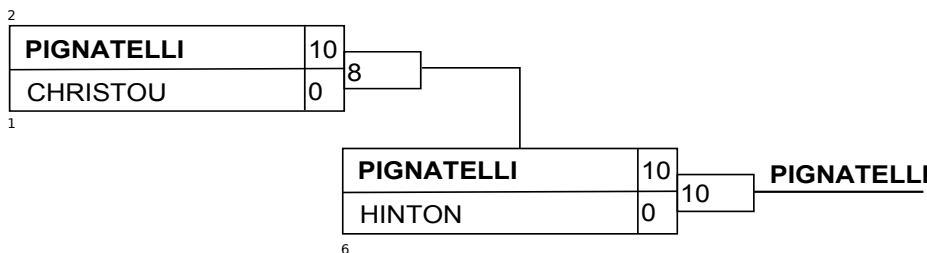
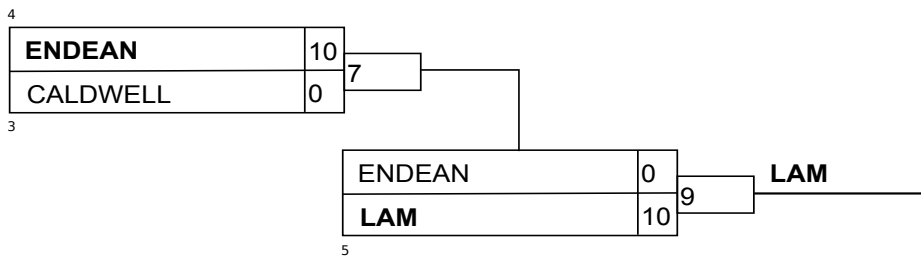
Pos	Name/Nom
1	TAEYA KOLIASKA, LETHBRIDGE KYODOKAN
2	VIRGINIA NEMETH, LETHBRIDGE KYODOKAN
3	Saisha MORALES, Ippon Judo WA

U18 Women -52kg



Results/Résultats

Pos	Name/Nom
1	Sarah MALOUM, Judo Ben QC (Brown)
2	Vanessa KRUGER, Nanaimo Judo BC (Brown)
3	Ivy LAM, Zenyu Judo WA (Green)
3	Samantha PIGNATELLI, PoCo Judo BC (Green)



U18 Women -57kg

Competitors/Compétiteurs

#	Name/Nom	Grade	Club	1	2	3	W/G	Pts	Pos
1	Tiffany COOLICAN (57,00)	Brown	Victoria Judo BC				0	0	3
2	Alexandra GAGNON (57,00)	Brown	Tolide Judo AB	7		10	2	17	1
3	Anne-Claire PAQUIN (57,00)	Brown	Judo Métropolitain Q	10			1	10	2

Matches/Matches

Match	White/Blanc			Blue/Bleu	Res/Rés	Tim/Tmp	Code
1	Tiffany COOLICAN	1	2	Alexandra GAGNON	0 - 7	0:48	WAZ
2	Tiffany COOLICAN	1	3	Anne-Claire PAQUIN	0 - 10	0:00	IPO
3	Alexandra GAGNON	2	3	Anne-Claire PAQUIN	10 - 0	2:23	IPO

Results/Résultats

Pos	Name/Nom
1	Alexandra GAGNON, Tolide Judo AB
2	Anne-Claire PAQUIN, Judo Métropolitain Q

U18 Women -63kg

Competitors/Compétiteurs

#	Name/Nom	Grade	Club	1	2	3	W/G	Pts	Pos
1	Maddie DAJAVS (63,00)	Green	Tokugawa AB				0	0	3
2	kara GOODMAN (63,00)	Brown	fernie BC	10			1	10	2
3	Isabelle HARRIS (63,00)	Green	Abbotsford Judo BC	10	10		2	20	1

Matches/Matches

Match	White/Blanc			Blue/Bleu	Res/Rés	Tim/Tmp	Code
1	Maddie DAJAVS	1	2	kara GOODMAN	0 - 10	0:39	IPO
2	Maddie DAJAVS	1	3	Isabelle HARRIS	0 - 10	0:28	WIP
3	kara GOODMAN	2	3	Isabelle HARRIS	0 - 10	0:00	IPO

Results/Résultats

Pos	Name/Nom
1	Isabelle HARRIS, Abbotsford Judo BC
2	kara GOODMAN, fernie BC

U18 Women -70kg

Competitors/Compétiteurs

#	Name/Nom	Grade	Club	1	2	3	4	W/G	Pts	Pos
1	Megan NEUMAN (70,00)	Blue	Prince Albert SK		10	10	10	3	30	1
2	Morgan ENDEAN (70,00)	Brown	Aberdeen Judo BC					0	0	4
3	Maria MARTIN (70,00)	Blue	Pense Judo SK		7		10	2	17	2
4	Laurel ZEMKE (65,40)	Green	Zenyu Judo WA		10			1	10	3

Matches/Matches

Match	White/Blanc			Blue/Bleu	Res/Rés	Tim/Tmp	Code
1	Megan NEUMAN	1	2	Morgan ENDEAN	10 - 0	0:28	IPO
2	Maria MARTIN	3	4	Laurel ZEMKE	10 - 0	2:07	WIP
3	Megan NEUMAN	1	3	Maria MARTIN	10 - 0	0:00	IPO
4	Morgan ENDEAN	2	4	Laurel ZEMKE	0 - 10	0:00	IPO
5	Megan NEUMAN	1	4	Laurel ZEMKE	10 - 0	0:00	IPO
6	Morgan ENDEAN	2	3	Maria MARTIN	0 - 7	0:00	WAZ

Results/Résultats

Pos	Name/Nom
1	Megan NEUMAN, Prince Albert SK
2	Maria MARTIN, Pense Judo SK
3	Laurel ZEMKE, Zenyu Judo WA

U18 Men -50kg

Competitors/Compétiteurs

#	Name/Nom	Grade	Club	1	2	3	W/G	Pts	Pos
1	Anthony HENRY (50,00)	Blue	Campbell River BC				0	0	3
2	Declan HARDING (46,00)	Blue	Ryu Senshi AB	10			1	10	2
3	Nicholas GAGNON (50,00)	Blue	Tolide Judo Club	7	10		2	17	1

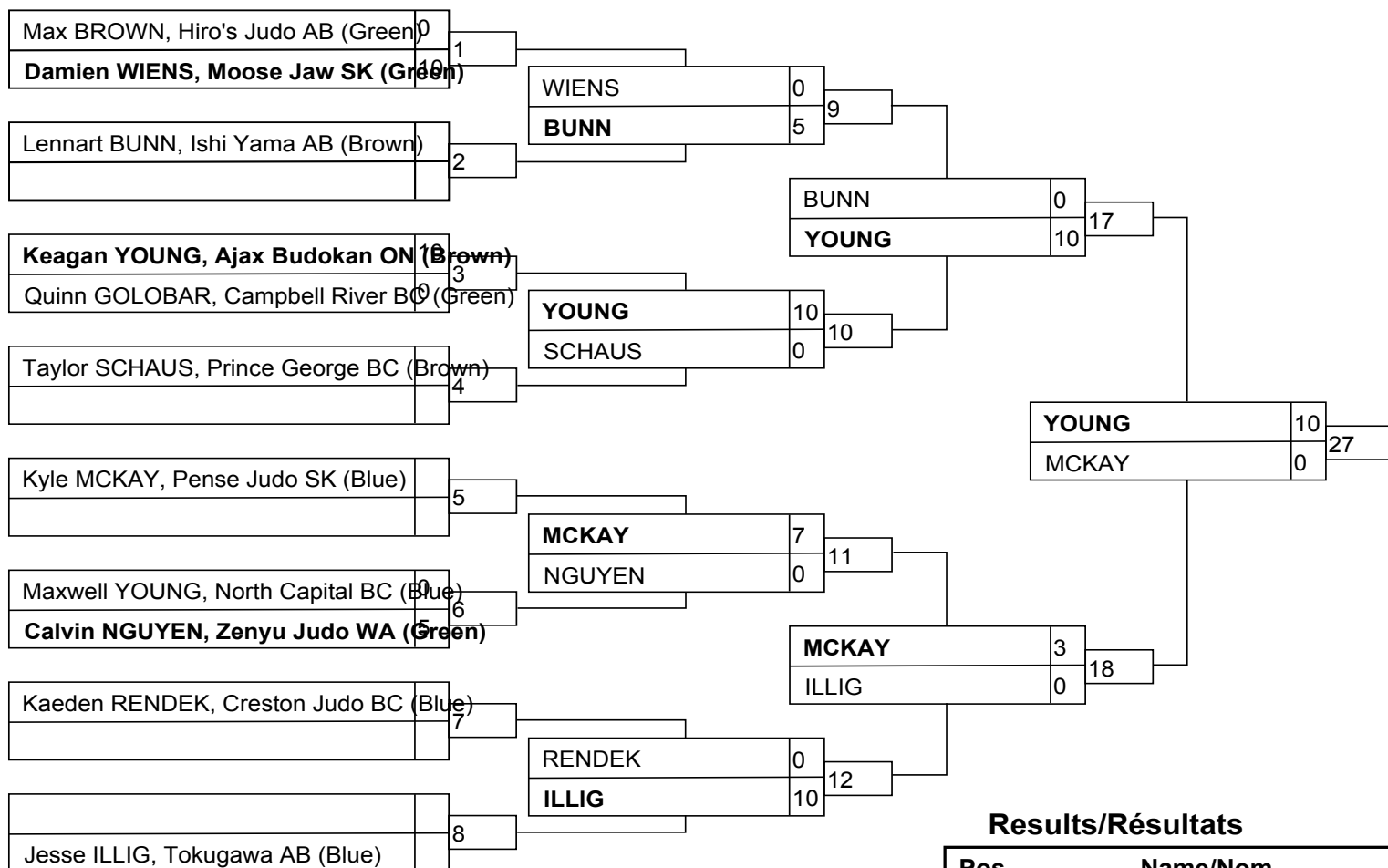
Matches/Matches

Match	White/Blanc			Blue/Bleu	Res/Rés	Tim/Tmp	Code
1	Anthony HENRY	1	2	Declan HARDING	0 - 10	0:00	IPO
2	Anthony HENRY	1	3	Nicholas GAGNON	0 - 7	4:00	WAZ
3	Declan HARDING	2	3	Nicholas GAGNON	0 - 10	2:48	HAN

Results/Résultats

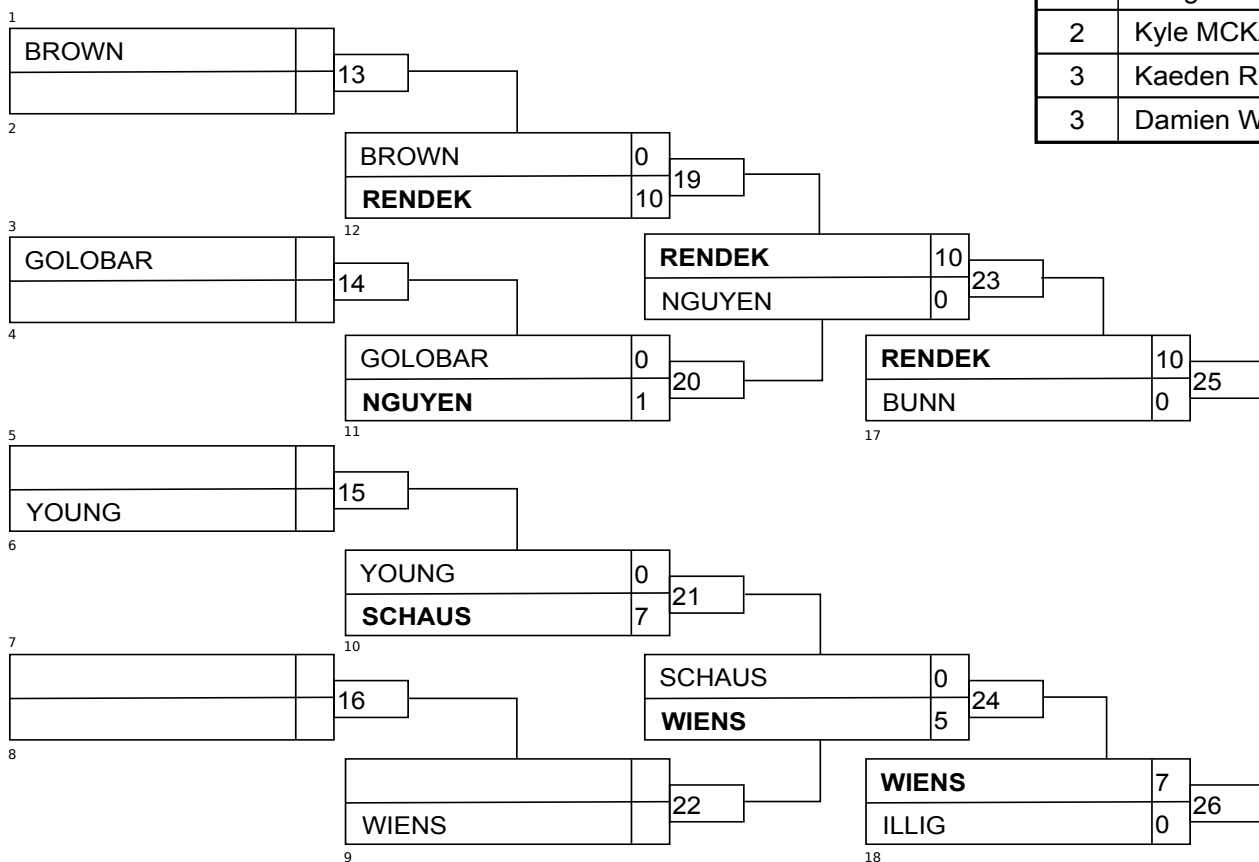
Pos	Name/Nom
1	Nicholas GAGNON, Tolide Judo Club
2	Declan HARDING, Ryu Senshi AB

U18 Men -55kg

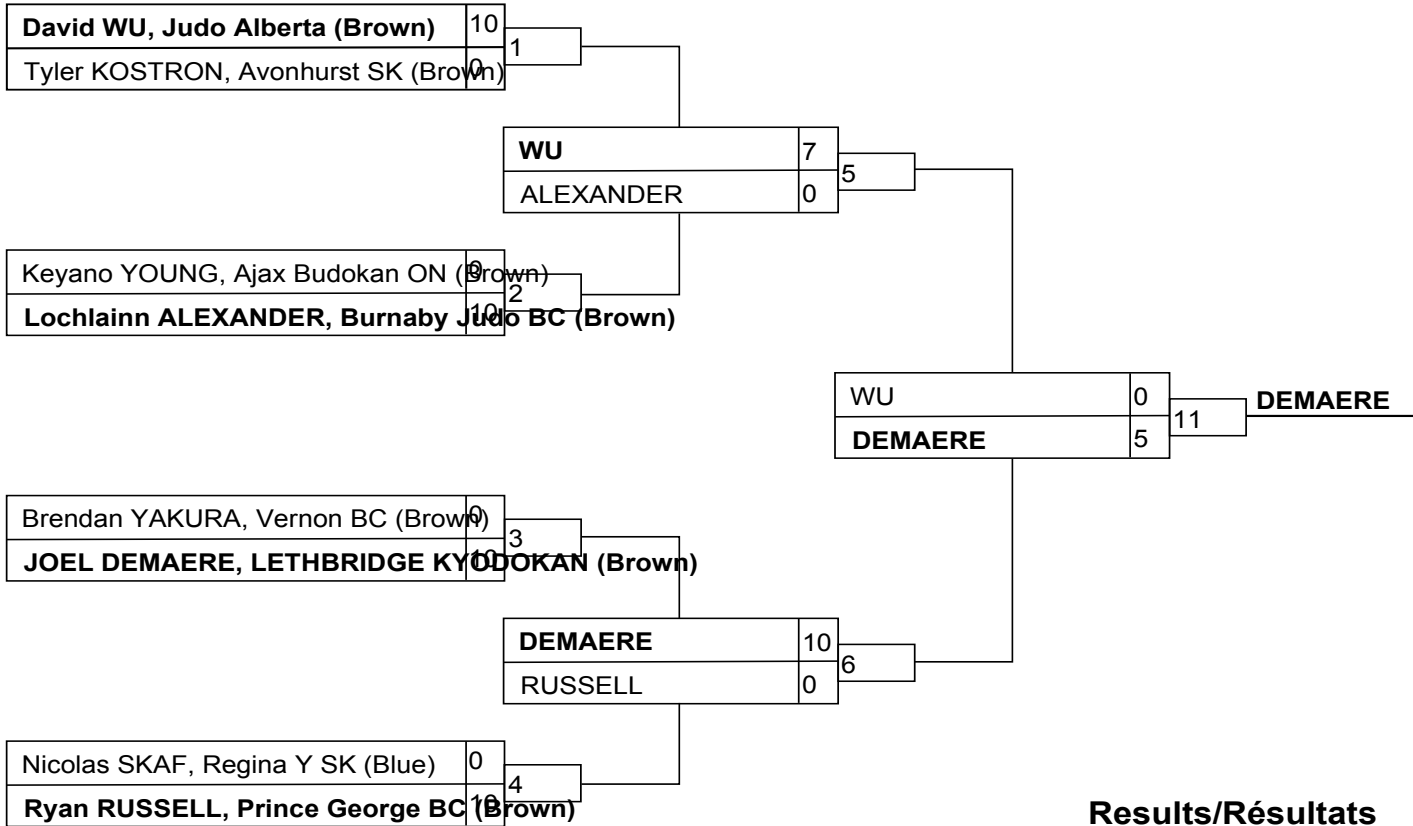


Results/Résultats

Pos	Name/Nom
1	Keagan YOUNG, Ajax Budokan ON (B
2	Kyle MCKAY, Pense Judo SK (Blue)
3	Kaeden RENDEK, Creston Judo BC (B
3	Damien WIENS, Moose Jaw SK (Green)

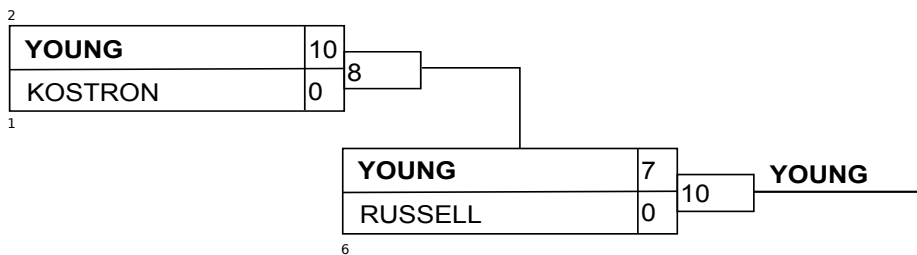
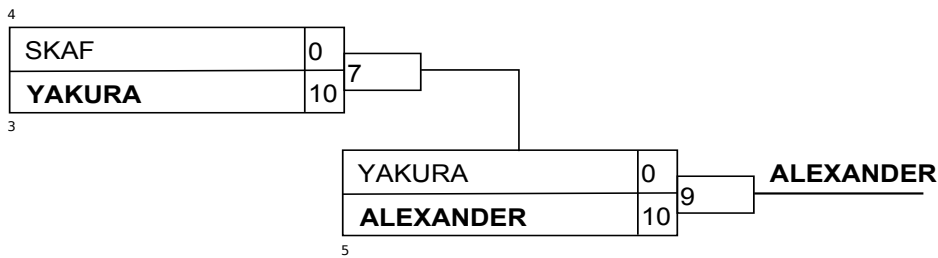


U18 Men -60kg

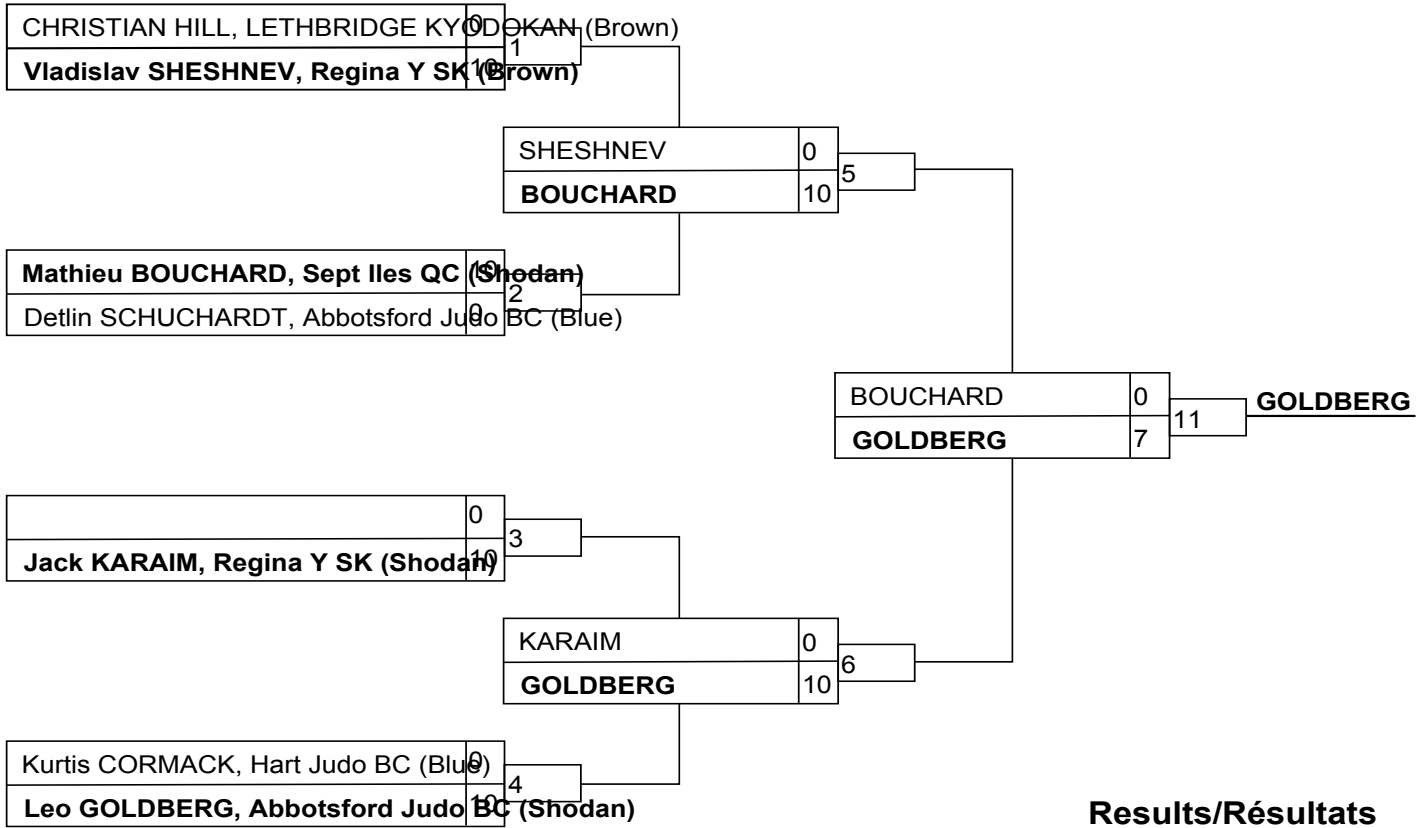


Results/Résultats

Pos	Name/Nom
1	JOEL DEMAERE, LETHBRIDGE KYODOKAN (Brown)
2	David WU, Judo Alberta (Brown)
3	Lochlainn ALEXANDER, Burnaby Judo BC (Brown)
3	Keyano YOUNG, Ajax Budokan ON (Brown)

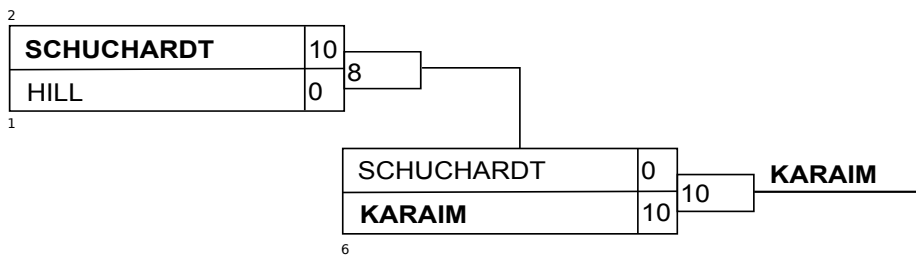
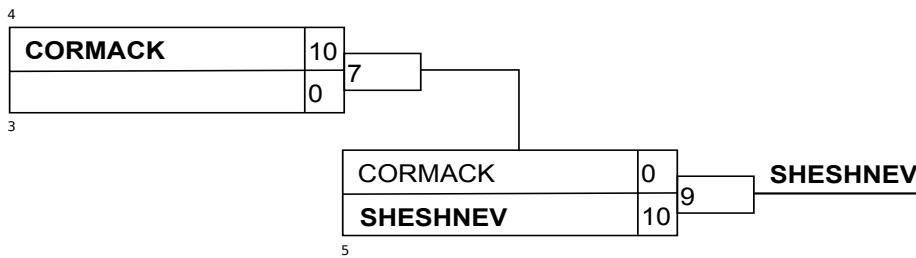


U18 Men -66kg

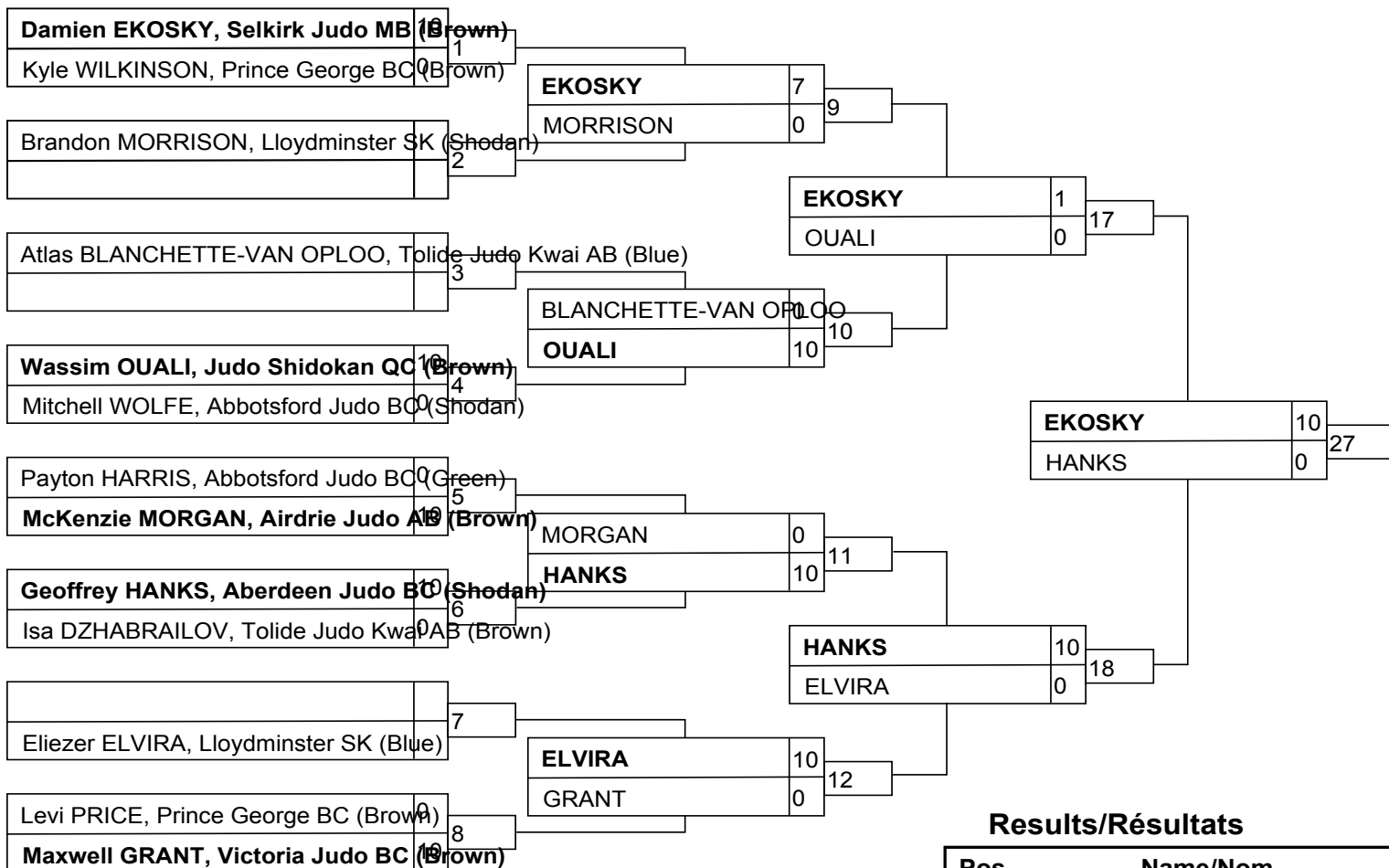


Results/Résultats

Pos	Name/Nom
1	Leo GOLDBERG, Abbotsford Judo BC
2	Mathieu BOUCHARD, Sept Iles QC (Shodan)
3	Vladislav SHESHNEV, Regina Y SK (Brown)
3	Jack KARAIM, Regina Y SK (Shodan)

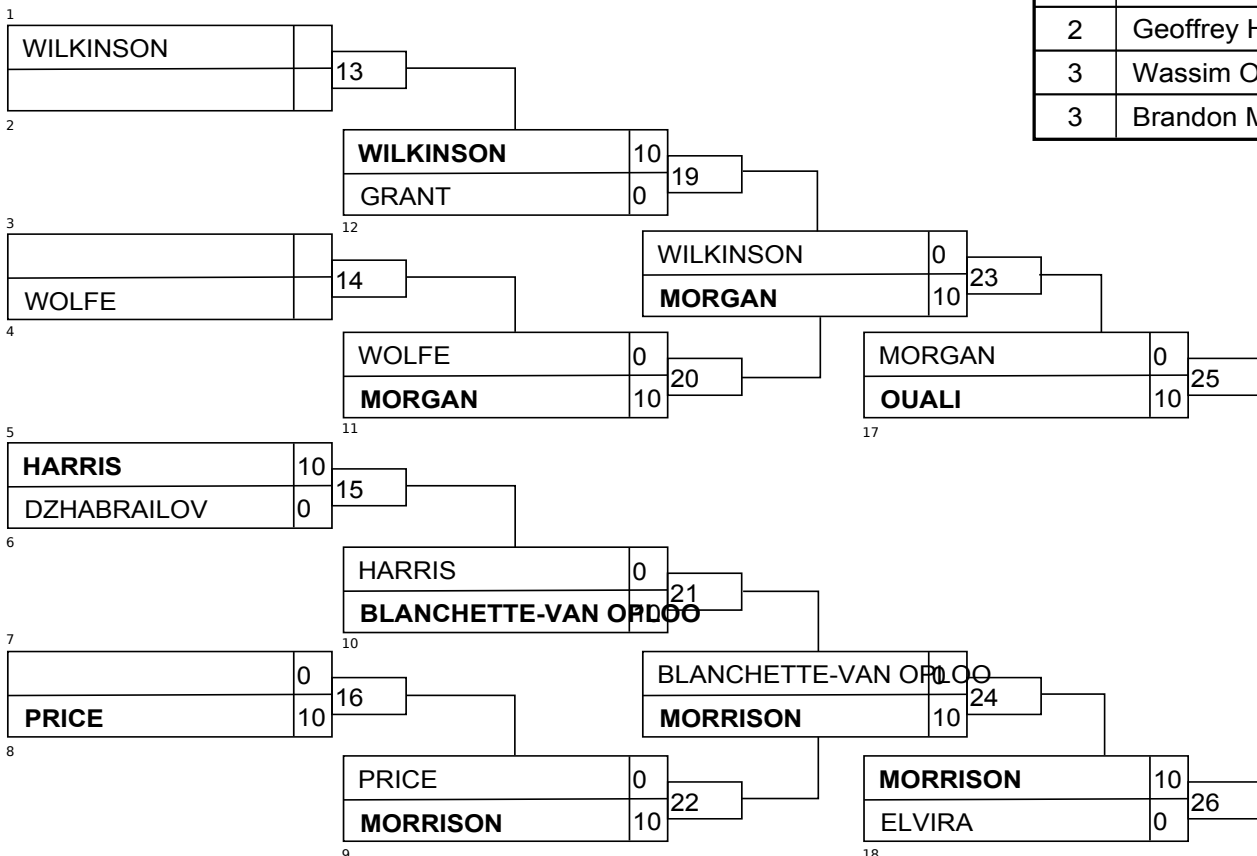


U18 Men -73kg



Results/Résultats

Pos	Name/Nom
1	Damien EKOSKY, Selkirk Judo MB (Br)
2	Geoffrey HANKS, Aberdeen Judo BC (Br)
3	Wassim OUALI, Judo Shidokan QC (Br)
3	Brandon MORRISON, Lloydminster SK (Br)



U18 Men -81kg

Competitors/Compétiteurs

#	Name/Nom	Grade	Club	1	2	3	W/G	Pts	Pos
1	Jackson MINNICK (81,00)	Brown	Victoria Judo BC		10		1	10	2
2	Jake MISKY (81,00)	Blue	Campbell River BC				0	0	3
3	Daniel MAMAN (81,00)	Brown	Taifu ON	10	10		2	20	1

Matches/Matches

Match	White/Blanc			Blue/Bleu	Res/Rés	Tim/Tmp	Code
1	Jackson MINNICK	1	2	Jake MISKY	10 - 0	0:42	IPO
2	Jackson MINNICK	1	3	Daniel MAMAN	0 - 10	3:13	IPO
3	Jake MISKY	2	3	Daniel MAMAN	0 - 10	2:31	IPO

Results/Résultats

Pos	Name/Nom
1	Daniel MAMAN, Taifu ON
2	Jackson MINNICK, Victoria Judo BC

U21 Women -52kg

Competitors/Compétiteurs

#	Name/Nom	Grade	Club	1	2	1	2	1	2	W/G	Pts	Pos
1	Lisa RUSSELL (52,00)	Brown	Prince George BC				10		10	2	20	1
2	Serena PIGNATELLI (48,00)	Blue	PoCo Judo BC	10						1	10	2

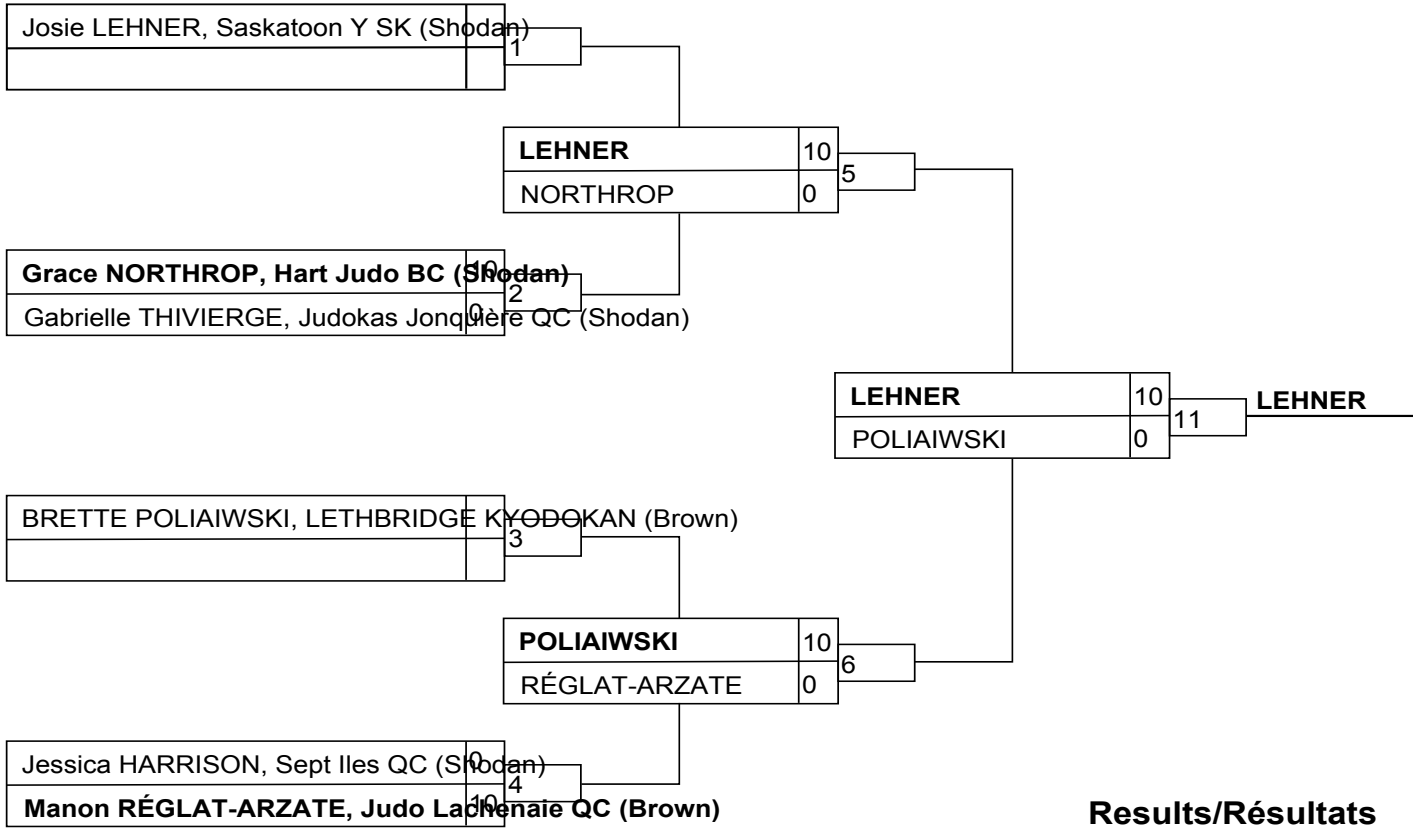
Matches/Matches

Match	White/Blanc			Blue/Bleu	Res/Rés	Tim/Tmp	Code
1	Lisa RUSSELL	1	2	Serena PIGNATELLI	0 - 10	0:00	HAN
2	Lisa RUSSELL	1	2	Serena PIGNATELLI	10 - 0	0:00	IPO
3	Lisa RUSSELL	1	2	Serena PIGNATELLI	10 - 0	0:00	IPO

Results/Résultats

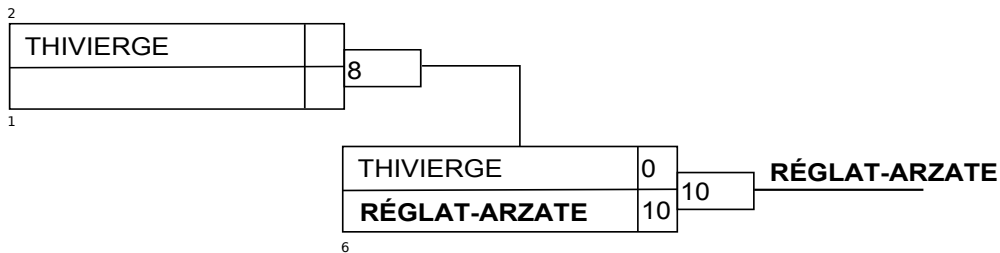
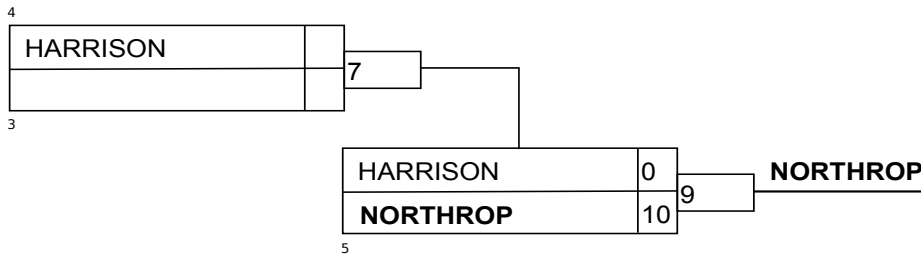
Pos	Name/Nom
1	Lisa RUSSELL, Prince George BC
2	Serena PIGNATELLI, PoCo Judo BC

U21 Women -57kg

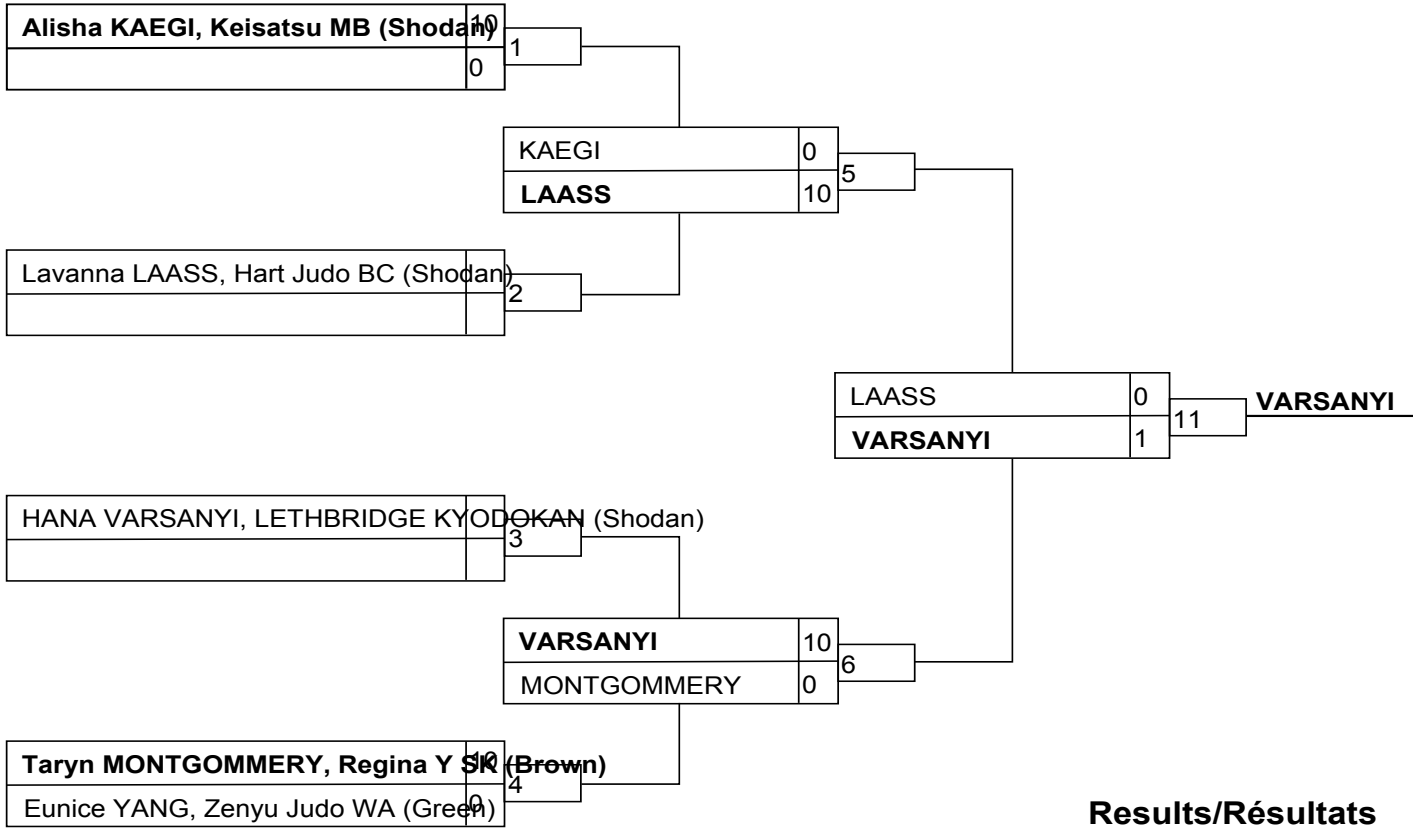


Results/Résultats

Pos	Name/Nom
1	Josie LEHNER, Saskatoon Y SK (Shodan)
2	BRETTE POLIAIWSKI, LETHBRIDGE KYODOKAN (Brown)
3	Grace NORTHROP, Hart Judo BC (Shodan)
3	Manon RÉGLAT-ARZATE, Judo Lac Beauport QC (Brown)

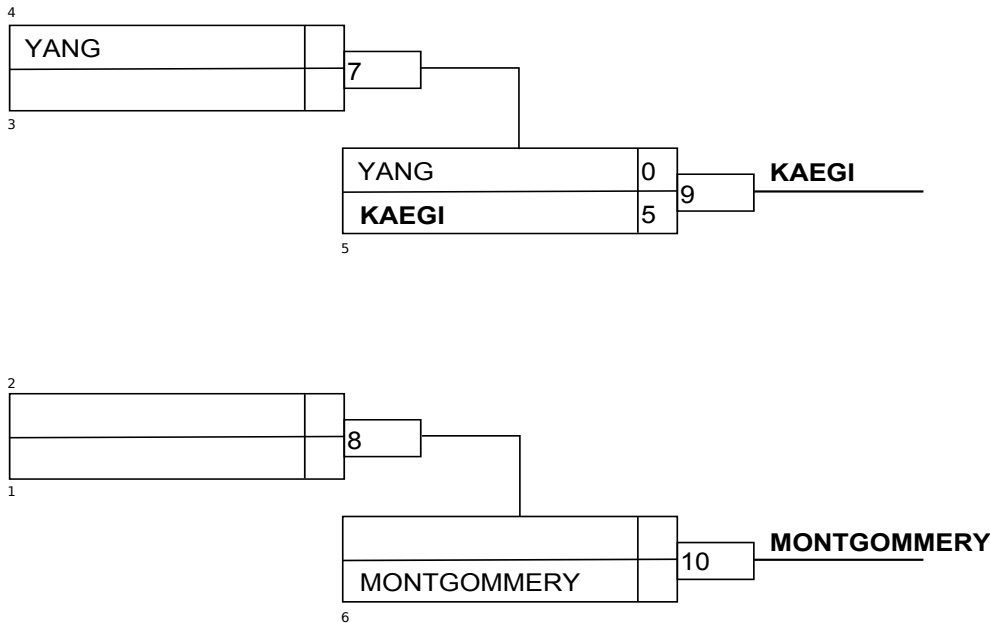


U21 Women -63kg



Results/Résultats

Pos	Name/Nom
1	HANA VARSANYI, LETHBRIDGE KYODOKAN
2	Lavanna LAASS, Hart Judo BC (Shodan)
3	Alisha KAEGI, Keisatsu MB (Shodan)
3	Taryn MONTGOMMERY, Regina Y SR



U21 Women -70kg

Competitors/Compétiteurs

#	Name/Nom	Grade	Club	1	2	3	W/G	Pts	Pos
1	Audrey POIRIER (70,00)	Shodan	Judo St Hyacinthe QC				0	0	3
2	KEIRA TROTTER (70,00)	Brown	LETHBRIDGE KYODOKAN				1	1	2
3	Allayah COPELAND (70,00)	Brown	Ajax Budokan ON	1	7		2	8	1

Matches/Matches

Match	White/Blanc			Blue/Bleu	Res/Rés	Tim/Tmp	Code
1	Audrey POIRIER	1	2	KEIRA TROTTER	0 - 1	0:00	SHI
2	Audrey POIRIER	1	3	Allayah COPELAND	0 - 1	0:00	SHI
3	KEIRA TROTTER	2	3	Allayah COPELAND	0 - 7	0:00	WAZ

Results/Résultats

Pos	Name/Nom
1	Allayah COPELAND, Ajax Budokan ON
2	KEIRA TROTTER, LETHBRIDGE KYODOKAN

U21 Women -78kg

Competitors/Compétiteurs

#	Name/Nom	Grade	Club	1	2	1	2	1	2	W/G	Pts	Pos
1	Megan HANKS (78,00)	Shodan	Aberdeen Judo BC		5		10			2	15	1
2	Shianne GRONEN (78,00)	Green	Creston Judo BC							0	0	2

Matches/Matches

Match	White/Blanc			Blue/Bleu	Res/Rés	Tim/Tmp	Code
1	Megan HANKS	1	2	Shianne GRONEN	5 - 0	0:00	YUK
2	Megan HANKS	1	2	Shianne GRONEN	10 - 0	0:00	IPO
3	Megan HANKS	1	2	Shianne GRONEN			

Results/Résultats

Pos	Name/Nom
1	Megan HANKS, Aberdeen Judo BC

U21 Men -55kg

Competitors/Compétiteurs

#	Name/Nom	Grade	Club	1	2	1	2	1	2	W/G	Pts	Pos
1	Vincent NINALGA (55,00)	Brown	Arashi Judo BC							0	0	2
2	Taylan YUASA (55,00)	Shodan	Budokan WA	10		10				2	20	1

Matches/Matches

Match	White/Blanc			Blue/Bleu	Res/Rés	Tim/Tmp	Code
1	Vincent NINALGA	1	2	Taylan YUASA	0 - 10	0:00	IPO
2	Vincent NINALGA	1	2	Taylan YUASA	0 - 10	0:00	IPO
3	Vincent NINALGA	1	2	Taylan YUASA			

Results/Résultats

Pos	Name/Nom
1	Taylan YUASA, Budokan WA

U21 Men -60kg

Competitors/Compétiteurs

#	Name/Nom	Grade	Club	1	2	3	4	5	W/G	Pts	Pos
1	Daniel KIM (60,00)	Shodan	Kawasaki Rendokan ON		7	10	10		3	27	2
2	Vincent MIRAN (60,00)	Shodan	Judo Jikan QC			10	10		2	20	3
3	Georges ST-AMOUR (60,00)	Shodan	Abbotsford Judo BC				5		1	5	4
4	Simren BRAR (60,00)	Shodan	Abbotsford Judo BC						0	0	5
5	Benjamin DAVIAU (60,00)	Shodan	Judo St. Hubert QC	10	7	10	10		4	37	1

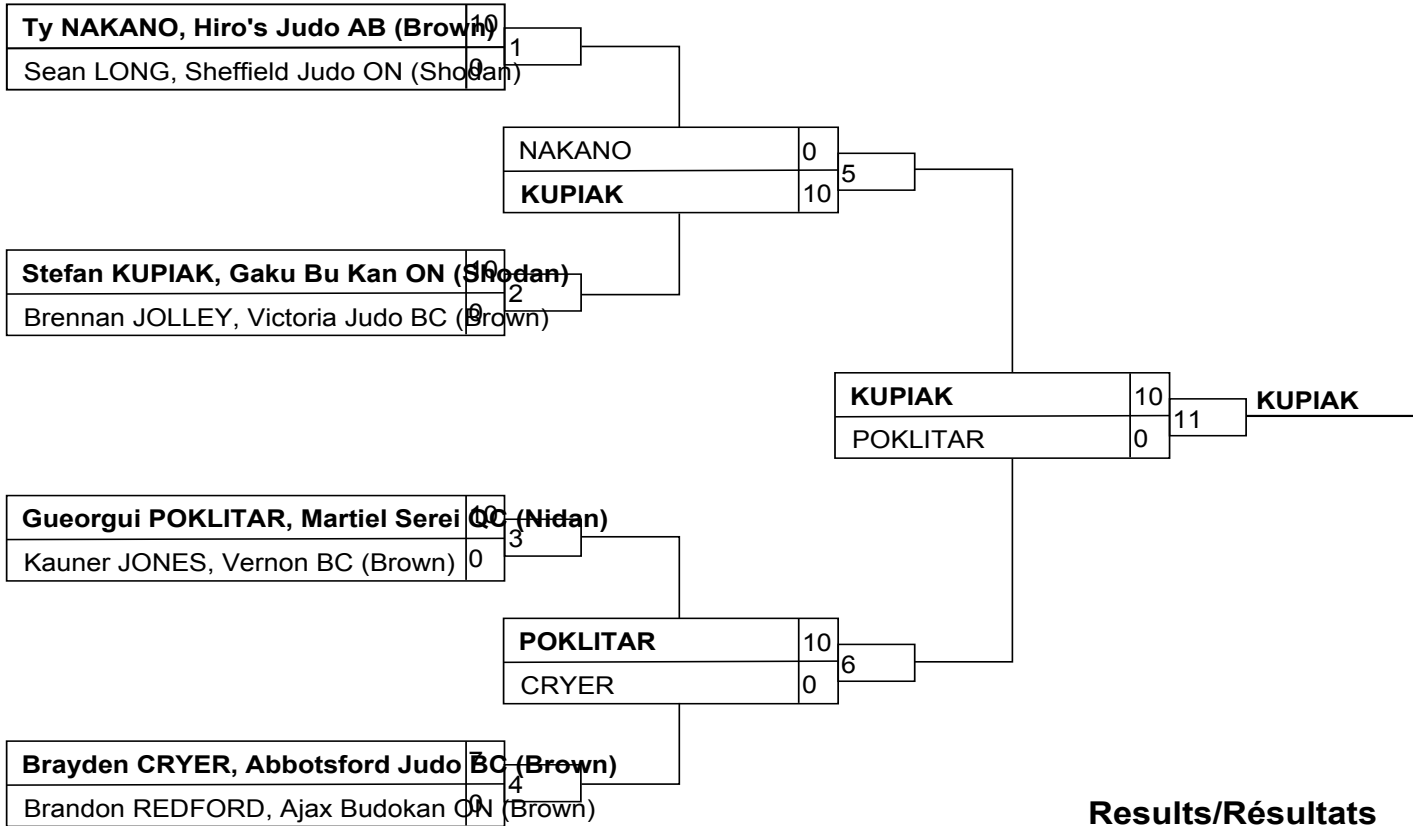
Matches/Matches

Match	White/Blanc			Blue/Bleu	Res/Rés	Tim/Tmp	Code
1	Simren BRAR	4	5	Benjamin DAVIAU	0 - 10	0:00	IPO
2	Daniel KIM	1	2	Vincent MIRAN	7 - 0	0:00	WAZ
3	Georges ST-AMOUR	3	4	Simren BRAR	5 - 0	0:00	YUK
4	Daniel KIM	1	5	Benjamin DAVIAU	0 - 10	0:00	IPO
5	Vincent MIRAN	2	3	Georges ST-AMOUR	10 - 0	0:00	IPO
6	Daniel KIM	1	4	Simren BRAR	10 - 0	0:00	IPO
7	Georges ST-AMOUR	3	5	Benjamin DAVIAU	0 - 10	0:00	IPO
8	Vincent MIRAN	2	4	Simren BRAR	10 - 0	0:00	IPO
9	Daniel KIM	1	3	Georges ST-AMOUR	10 - 0	0:00	IPO
10	Vincent MIRAN	2	5	Benjamin DAVIAU	0 - 7	0:00	WAZ

Results/Résultats

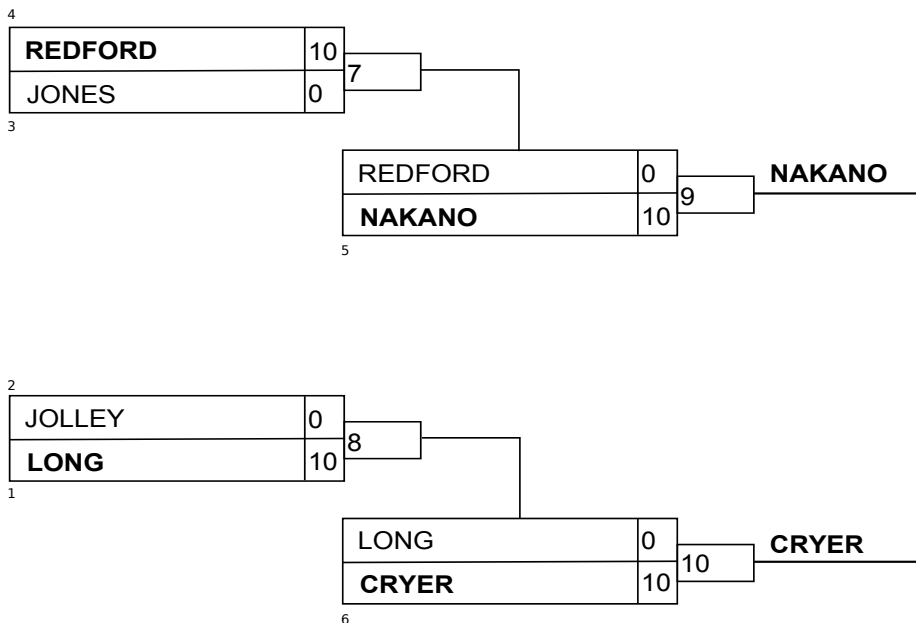
Pos	Name/Nom
1	Benjamin DAVIAU, Judo St. Hubert QC
2	Daniel KIM, Kawasaki Rendokan ON
3	Vincent MIRAN, Judo Jikan QC
4	Georges ST-AMOUR, Abbotsford Judo BC

U21 Men -66kg

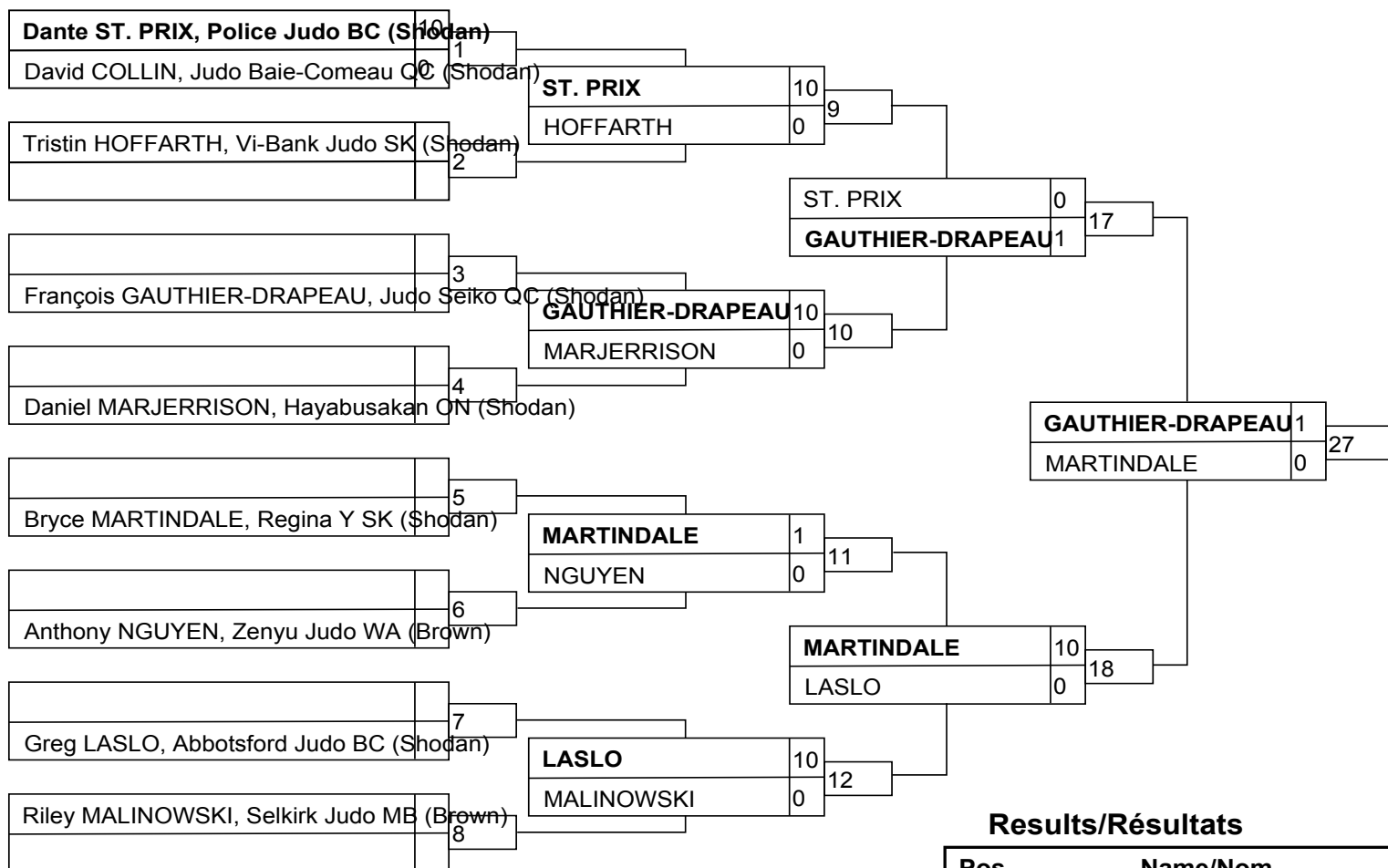


Results/Résultats

Pos	Name/Nom
1	Stefan KUPIAK, Gaku Bu Kan ON (Shodan)
2	Gueorgui POKLITAR, Martiel Serei C (Brown)
3	Ty NAKANO, Hiro's Judo AB (Brown)
3	Brayden CRYER, Abbotsford Judo BC (Brown)

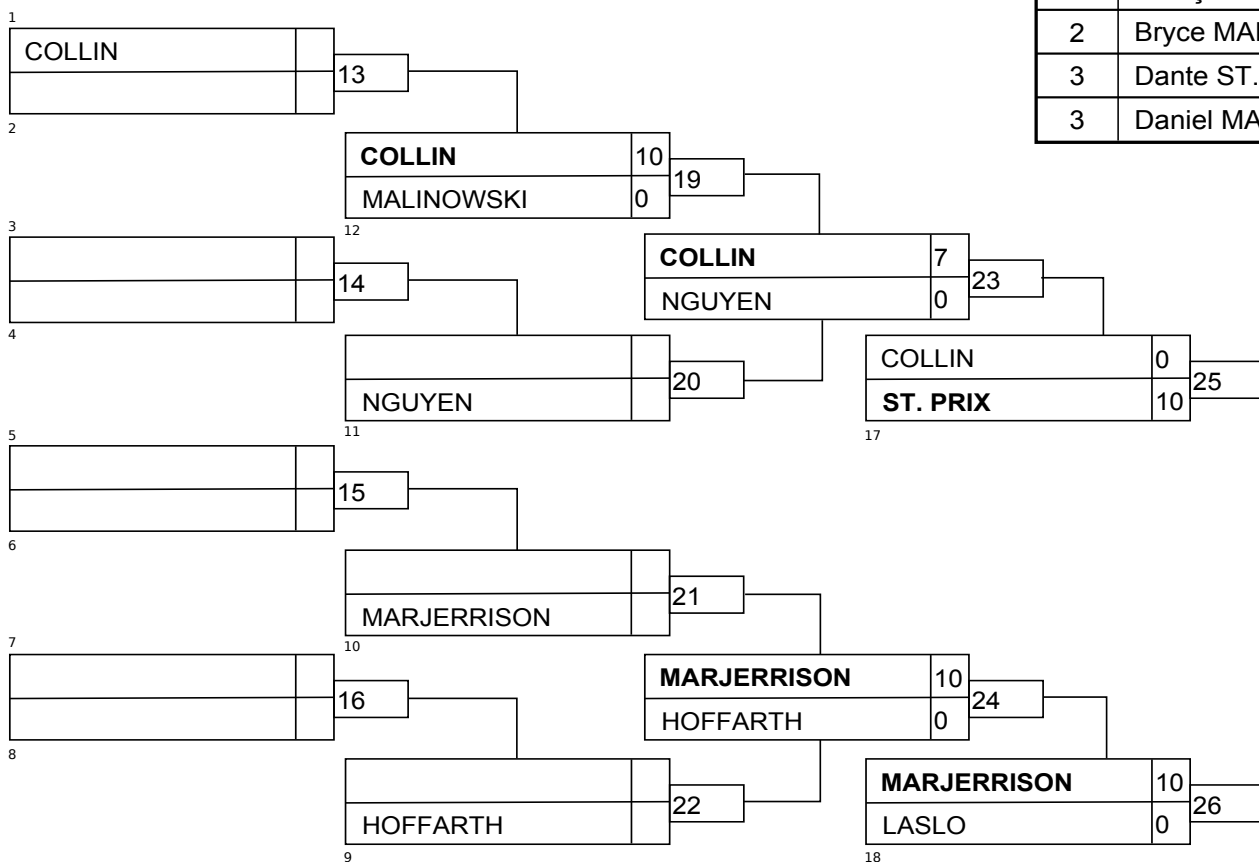


U21 Men -73kg

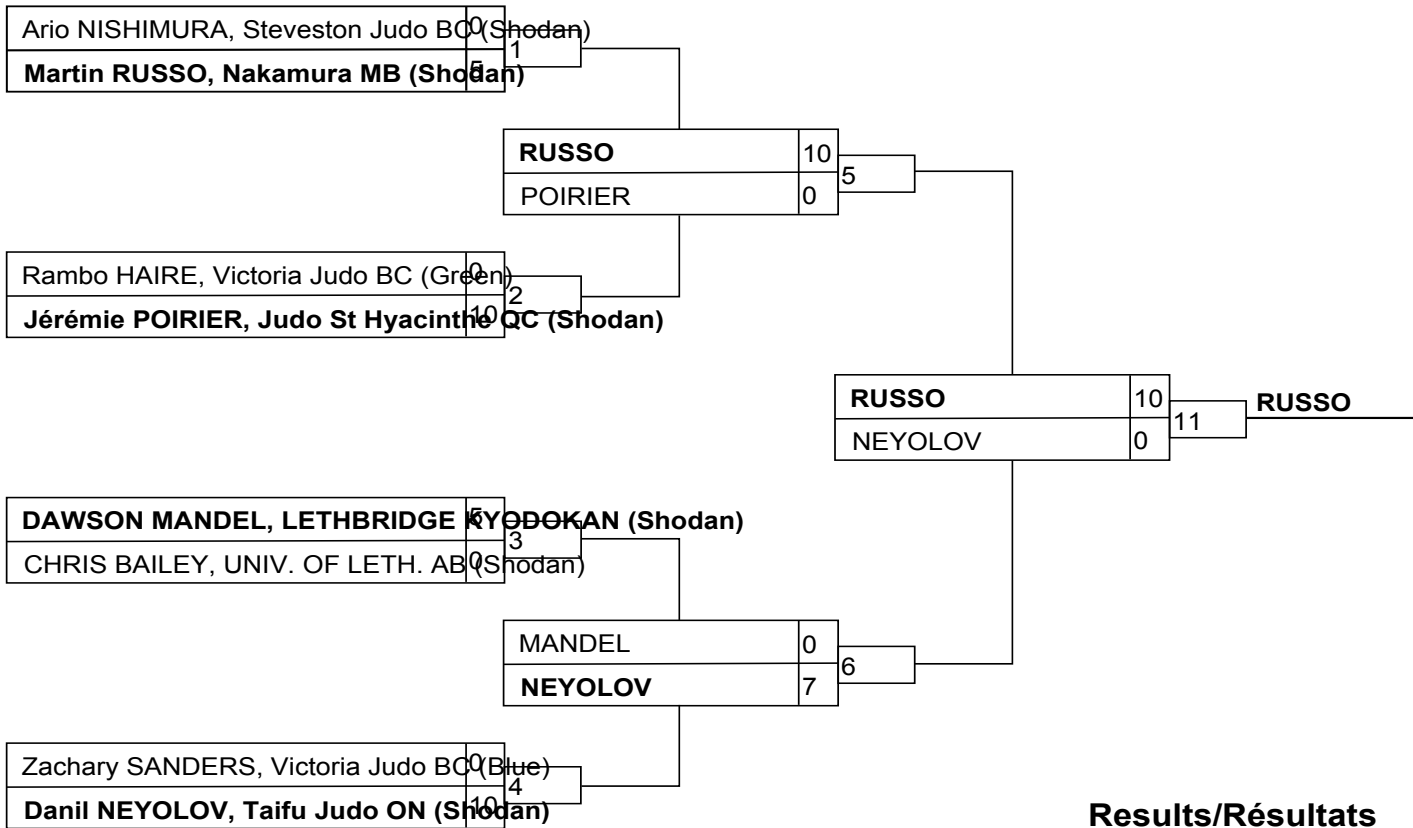


Results/Résultats

Pos	Name/Nom
1	François GAUTHIER-DRAPEAU, Judo Seiko QC (Shodan)
2	Bryce MARTINDALE, Regina Y SK (Shodan)
3	Dante ST. PRIX, Police Judo BC (Shodan)
3	Daniel MARJERRISON, Hayabusakan ON (Shodan)

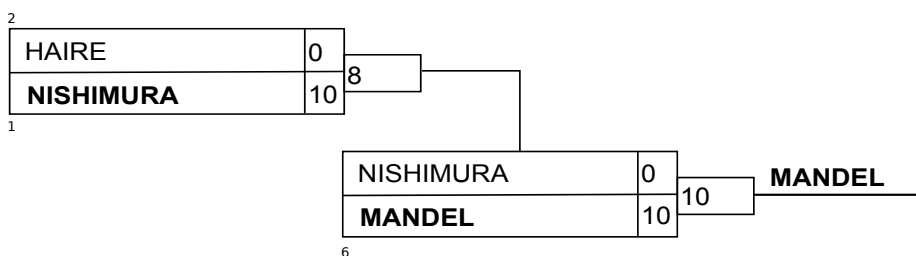
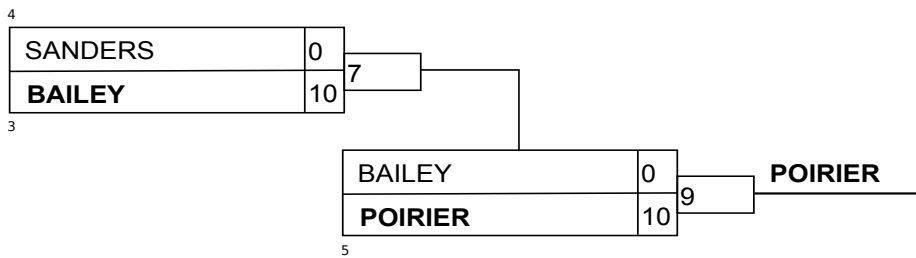


U21 Men -81kg



Results/Résultats

Pos	Name/Nom
1	Martin RUSSO, Nakamura MB (Shodan)
2	Danil NEYOLOV, Taifu Judo ON (Shodan)
3	Jérémie POIRIER, Judo St Hyacinthe QC (Shodan)
3	DAWSON MANDEL, LETHBRIDGE KYODOKAN (Shodan)



U21 Men -100kg

Competitors/Compétiteurs

#	Name/Nom	Grade	Club	1	2	3	W/G	Pts	Pos
1	Hohdai Konno (90,00)	Shodan	Yasudagakuin HS JP			10	1	10	2
2	Tavis JAMIESON (100,00)	Nidan	Steveston Judo BC	10		10	2	20	1
3	Joseph KUCH (100,00)	Brown	Selkirk MB				0	0	3

Matches/Matches

Match	White/Blanc			Blue/Bleu	Res/Rés	Tim/Tmp	Code
1	Hohdai Konno	1	2	Tavis JAMIESON	0 - 10	0:00	IPO
2	Hohdai Konno	1	3	Joseph KUCH	10 - 0	0:00	IPO
3	Tavis JAMIESON	2	3	Joseph KUCH	10 - 0	0:00	IPO

Results/Résultats

Pos	Name/Nom
1	Tavis JAMIESON, Steveston Judo BC
2	Hohdai Konno, Yasudagakuin HS JP

U14 Women -36kg

Competitors

#	Name	Grade	Club	1	2	1	2	1	2	Wins	Pts	Pos
1	Hailey KO (36,00)	Orange	nakashima dojo BC							0	0	2
2	Olivia SHEEHAN (36,00)	Green	Campbell River BC	10		10				2	20	1

Matches

Match	White			Blue	Result	Time	Code
C-1	Hailey KO	1	2	Olivia SHEEHAN	0 - 10	0:15	IPO
C-13	Hailey KO	1	2	Olivia SHEEHAN	0 - 10	0:21	WIP
C-23	Hailey KO	1	2	Olivia SHEEHAN			

Results

Pos	Name
1	Olivia SHEEHAN, Campbell River BC

U14 Women -40kg

Competitors

#	Name	Grade	Club	1	2	3	Wins	Pts	Pos
1	Anna PRUS-CZARNECKA (40,00)	Green	Tokugawa		10	1	2	11	1
2	Klavdia DANILKOV (40,00)	Orange	Burnaby Judo BC				0	0	3
3	Madi BAHRIS (40,00)	Orange	Abbotsford Judo BC		10		1	10	2

Matches

Match	White			Blue	Result	Time	Code
C-2	Anna PRUS-CZARNECKA	1	2	Klavdia DANILKOV	10 - 0	0:32	IPO
C-14	Anna PRUS-CZARNECKA	1	3	Madi BAHRIS	1 - 0	3:00	YUS
C-24	Klavdia DANILKOV	2	3	Madi BAHRIS	0 - 10	0:00	WIP

Results

Pos	Name
1	Anna PRUS-CZARNECKA, Tokugawa
2	Madi BAHRIS, Abbotsford Judo BC

U14 Women -48kg

Competitors

#	Name	Grade	Club	1	2	3	Wins	Pts	Pos
1	Sydney EDGSON (48,00)	Green	Prince George BC		10	10	2	20	1
2	Mia PARKER (44,00)	Orange	Barracuda Judo AB				0	0	3
3	Amanda RASOUMOFF (52,00)	Green	Emerald City Judo WA		10		1	10	2

Matches

Match	White			Blue	Result	Time	Code
B-8	Sydney EDGSON	1	2	Mia PARKER	10 - 0	0:37	WIP
B-27	Sydney EDGSON	1	3	Amanda RASOUMOFF	10 - 0	1:29	WIP
B-41	Mia PARKER	2	3	Amanda RASOUMOFF	0 - 10	0:35	IPO

Results

Pos	Name
1	Sydney EDGSON, Prince George BC
2	Amanda RASOUMOFF, Emerald City Judo WA

U14 Men -34kg

Competitors

#	Name	Grade	Club	1	2	3	4	5	Wins	Pts	Pos
1	CALEB DEMAERE (34,00)	Green	LETHBRIDGE KYODOKAN	10	10	10	10		4	40	1
2	Evan RASOUMOFF (38,00)	Green	Emerald City Judo WA			10	10	10	3	30	2
3	Spencer CYR (34,00)	Orange	Abbotsford Judo BC						0	0	5
4	Michael VOFSI (34,00)	Green	PoCo Judo BC			10		10	2	20	3
5	Karl ARGUE (34,00)	Orange	PoCo Judo BC			10			1	10	4

Matches

Match	White			Blue	Result	Time	Code
D-62	Michael VOFSI	4	5	Karl ARGUE	10 - 0	0:59	IPO
D-63	CALEB DEMAERE	1	2	Evan RASOUMOFF	10 - 0	0:50	IPO
D-67	Spencer CYR	3	4	Michael VOFSI	0 - 10	1:00	WIP
D-68	CALEB DEMAERE	1	5	Karl ARGUE	10 - 0	0:11	IPO
D-72	Evan RASOUMOFF	2	3	Spencer CYR	10 - 0	0:48	IPO
D-73	CALEB DEMAERE	1	4	Michael VOFSI	10 - 0	2:07	IPO
D-77	Spencer CYR	3	5	Karl ARGUE	0 - 10	2:04	WIP
D-78	Evan RASOUMOFF	2	4	Michael VOFSI	10 - 0	0:50	IPO
D-80	CALEB DEMAERE	1	3	Spencer CYR	10 - 0	0:13	IPO
D-81	Evan RASOUMOFF	2	5	Karl ARGUE	10 - 0	0:37	IPO

Results

Pos	Name
1	CALEB DEMAERE, LETHBRIDGE KYODOKAN
2	Evan RASOUMOFF, Emerald City Judo WA
3	Michael VOFSI, PoCo Judo BC
4	Karl ARGUE, PoCo Judo BC

U14 Men -42kg

Competitors

#	Name	Grade	Club	1	2	1	2	1	2	Wins	Pts	Pos
1	Anthony GORODETSKY (42,00)	Green	Ishi Yama AB		10		10			2	20	1
2	Isaac KAMSTRA (42,00)	Green	Hart Judo BC							0	0	2

Matches

Match	White			Blue	Result	Time	Code
B-1	Anthony GORODETSKY	1	2	Isaac KAMSTRA	10 - 0	0:27	IPO
B-23	Anthony GORODETSKY	1	2	Isaac KAMSTRA	10 - 0	0:53	IPO
B-37	Anthony GORODETSKY	1	2	Isaac KAMSTRA			

Results

Pos	Name
1	Anthony GORODETSKY, Ishi Yama AB

U14 Men -46kg

Competitors

#	Name	Grade	Club	1	2	1	2	1	2	Wins	Pts	Pos
1	Emil SCHENK (46,00)	Green	Burnaby Judo BC		10		10			2	20	1
2	Hunter HANDLEY (46,00)	Green	Kam Lake NT							0	0	2

Matches

Match	White			Blue	Result	Time	Code
B-2	Emil SCHENK	1	2	Hunter HANDLEY	10 - 0	1:20	IPO
B-24	Emil SCHENK	1	2	Hunter HANDLEY	10 - 0	0:00	IPO
B-38	Emil SCHENK	1	2	Hunter HANDLEY			

Results

Pos	Name
1	Emil SCHENK, Burnaby Judo BC

U14 Men -50kg

Competitors

#	Name	Grade	Club	1	2	1	2	1	2	Wins	Pts	Pos
1	NATHAN DEMAERE (50,00)	Green	LETHBRIDGE KYODOKAN	10		10				2	20	1
2	Nikita LOBANOV (50,00)	Orange	Steveston Judo BC							0	0	2

Matches

Match	White			Blue	Result	Time	Code
B-3	NATHAN DEMAERE	1	2	Nikita LOBANOV	10 - 0	0:18	IPO
B-13	NATHAN DEMAERE	1	2	Nikita LOBANOV	10 - 0	1:54	IPO
B-36	NATHAN DEMAERE	1	2	Nikita LOBANOV			

Results

Pos	Name
1	NATHAN DEMAERE, LETHBRIDGE KYODOKAN

U14 Men -55kg

Competitors

#	Name	Grade	Club	1	2	3	4	Wins	Pts	Pos
1	David ENS (50,00)	Green	Abbotsford Judo BC		10			1	10	3
2	Nathaneal HAYASHIDA (55,00)	Green	Seattle Judo WA					0	0	4
3	Alexander WU (50,00)	Green	Judo Alberta	10	10		10	3	30	1
4	BRANTLEY SAAR (55,00)	Green	LETHBRIDGE KYODOKAN	AND	10			2	20	2

Matches

Match	White			Blue	Result	Time	Code
B-4	David ENS	1	2	Nathaneal HAYASHIDA	10 - 0	0:49	IPO
B-5	Alexander WU	3	4	BRANTLEY SAAR	10 - 0	2:52	IPO
B-18	David ENS	1	3	Alexander WU	0 - 10	2:24	IPO
B-19	Nathaneal HAYASHIDA	2	4	BRANTLEY SAAR	0 - 10	0:06	IPO
B-28	David ENS	1	4	BRANTLEY SAAR	0 - 10	1:30	WIP
B-29	Nathaneal HAYASHIDA	2	3	Alexander WU	0 - 10	0:07	IPO

Results

Pos	Name
1	Alexander WU, Judo Alberta
2	BRANTLEY SAAR, LETHBRIDGE KYODOKAN
3	David ENS, Abbotsford Judo BC

U16 Women -44kg

Competitors

#	Name	Grade	Club	1	2	3	4	Wins	Pts	Pos
1	Christine CHOW (44,00)	Green	Westminster Judo BC					0	0	4
2	EMMA CALDWELL (44,00)	Green	LETHBRIDGE KYODOKAN			10	10	3	30	1
3	Tami GOTO (44,00)	Blue	Prince George BC	10				1	10	3
4	Ema TESANOVIC (40,00)	Green	Ishi Yama AB	10		1		2	11	2

Matches

Match	White			Blue	Result	Time	Code
B-9	Christine CHOW	1	2	EMMA CALDWELL	0 - 10	0:57	WIP
B-10	Tami GOTO	3	4	Ema TESANOVIC	0 - 1	3:00	YUS
B-30	Christine CHOW	1	3	Tami GOTO	0 - 10	3:00	IPO
B-31	EMMA CALDWELL	2	4	Ema TESANOVIC	10 - 0	1:53	IPO
B-42	Christine CHOW	1	4	Ema TESANOVIC	0 - 10	1:49	IPO
B-43	EMMA CALDWELL	2	3	Tami GOTO	10 - 0	2:04	WIP

Results

Pos	Name
1	EMMA CALDWELL, LETHBRIDGE KYODOKAN
2	Ema TESANOVIC, Ishi Yama AB
3	Tami GOTO, Prince George BC

U16 Women -48kg

Competitors

#	Name	Grade	Club	1	2	3	4	Wins	Pts	Pos
1	Lahna HARAI (48,00)	Blue	Ippon Dojo WA			7		1	7	3
2	Saisha MORALES (48,00)	Blue	Ippon Judo WA	10		10	7	3	27	1
3	Akela SZASZ (48,00)	Blue	Nanaimo Judo BC					0	0	4
4	KIERA WESTLAKE (48,00)	Blue	LETHBRIDGE KYODOKAN			10		2	20	2

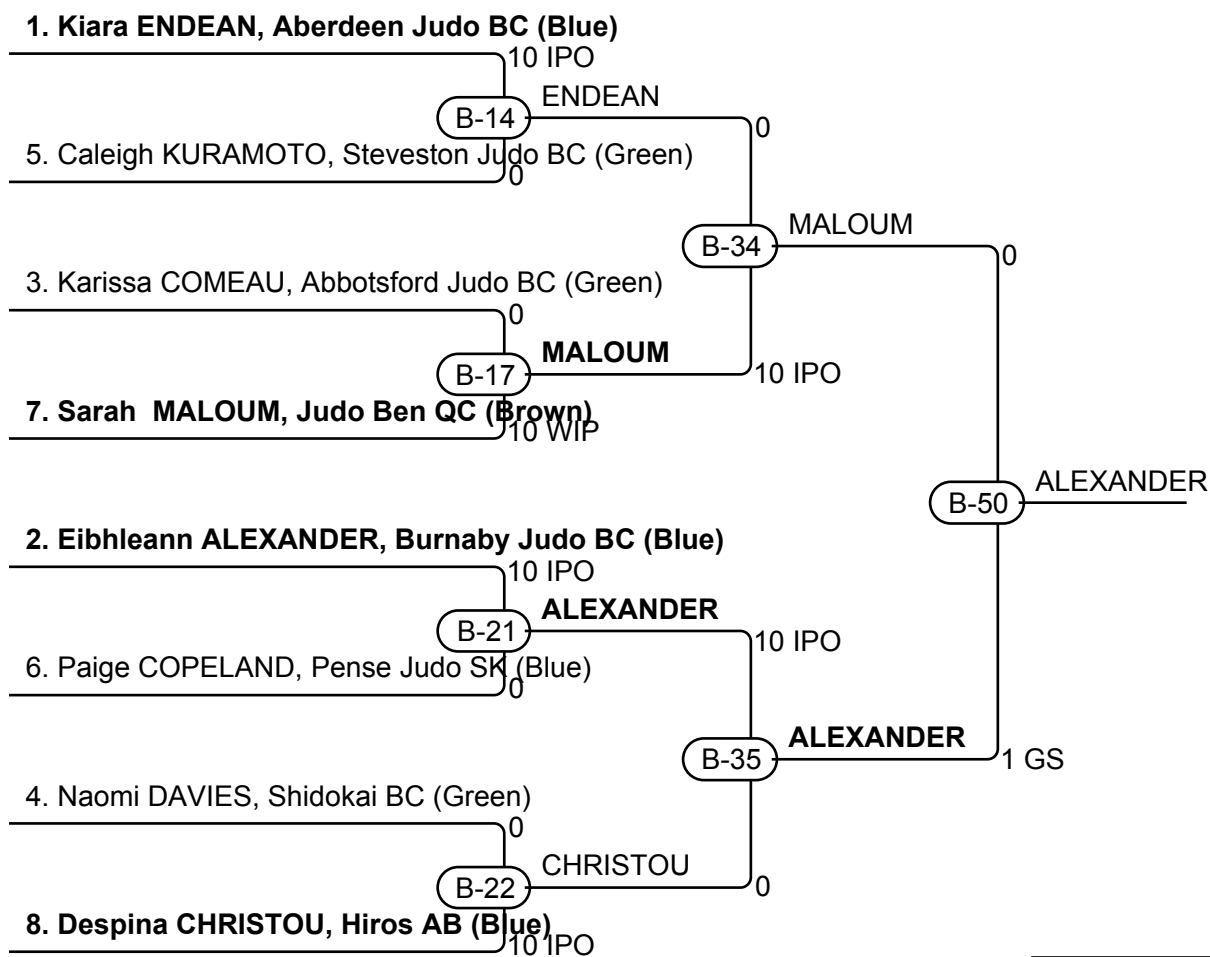
Matches

Match	White			Blue	Result	Time	Code
B-11	Lahna HARAI	1	2	Saisha MORALES	0 - 10	2:16	IPO
B-12	Akela SZASZ	3	4	KIERA WESTLAKE	0 - 10	0:09	IPO
B-32	Lahna HARAI	1	3	Akela SZASZ	7 - 0	3:00	WAZ
B-33	Saisha MORALES	2	4	KIERA WESTLAKE	7 - 0	3:00	WAZ
B-44	Lahna HARAI	1	4	KIERA WESTLAKE	0 - 10	0:39	IPO
B-45	Saisha MORALES	2	3	Akela SZASZ	10 - 0	2:27	IPO

Results

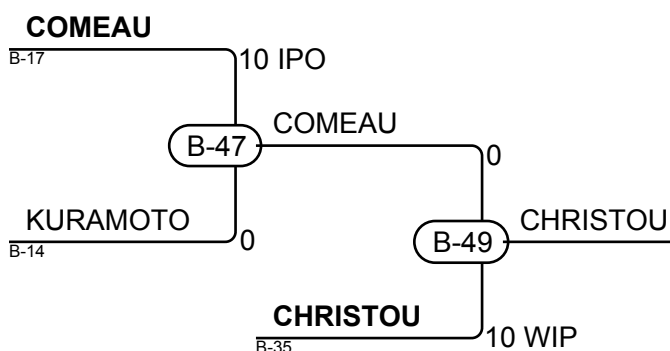
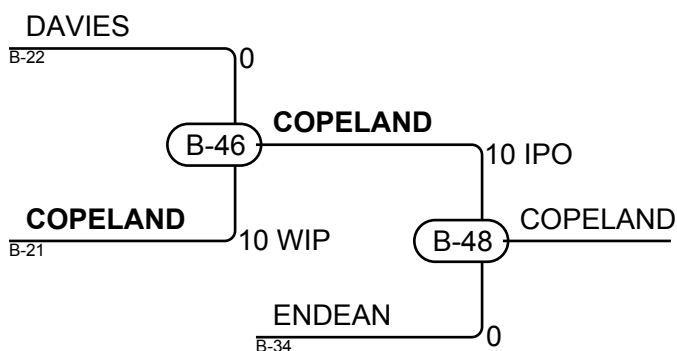
Pos	Name
1	Saisha MORALES, Ippon Judo WA
2	KIERA WESTLAKE, LETHBRIDGE KYODOKAN
3	Lahna HARAI, Ippon Dojo WA

U16 Women -52kg



Results

Pos	Name
1	Eibhleann ALEXANDER, Burnaby Judo BC (Blue)
2	Sarah MALOUM, Judo Ben QC (Brown)
3	Paige COPELAND, Pense Judo SK (Blue)
3	Despina CHRISTOU, Hiros AB (Blue)



U16 Women -57kg

Competitors

#	Name	Grade	Club	1	2	3	4	5	Wins	Pts	Pos
1	Miranda BELLISLE (57,00)	Blue	Saskatoon Y SK		10	10	10	10	4	40	1
2	Chloe MALIN (57,00)	Brown	NWT Judo			10			1	10	4
3	Jordann WARNER (57,00)	Green	Campbell River Judo						0	0	5
4	Avery COLLINSON (57,00)	Blue	Vernon BC		10	10			2	20	3
5	Sydney GREVATT (57,00)	Blue	Vernon BC		10	10	10		3	30	2

Matches

Match	White			Blue	Result	Time	Code
C-4	Avery COLLINSON	4	5	Sydney GREVATT	0 - 10	1:48	IPO
C-5	Miranda BELLISLE	1	2	Chloe MALIN	10 - 0	0:34	WIP
C-15	Jordann WARNER	3	4	Avery COLLINSON	0 - 10	0:54	IPO
C-16	Miranda BELLISLE	1	5	Sydney GREVATT	10 - 0	2:03	IPO
C-26	Chloe MALIN	2	3	Jordann WARNER	10 - 0	1:40	IPO
C-27	Miranda BELLISLE	1	4	Avery COLLINSON	10 - 0	1:57	IPO
C-32	Jordann WARNER	3	5	Sydney GREVATT	0 - 10	2:11	IPO
C-33	Chloe MALIN	2	4	Avery COLLINSON	0 - 10	2:20	IPO
C-37	Miranda BELLISLE	1	3	Jordann WARNER	10 - 0	0:54	IPO
C-38	Chloe MALIN	2	5	Sydney GREVATT	0 - 10	0:21	IPO

Results

Pos	Name
1	Miranda BELLISLE, Saskatoon Y SK
2	Sydney GREVATT, Vernon BC
3	Avery COLLINSON, Vernon BC
4	Chloe MALIN, NWT Judo

U16 Women -63kg

Competitors

#	Name	Grade	Club	1	2	3	Wins	Pts	Pos
1	Isabelle HARRIS (63,00)	Green	Abbotsford Judo BC		10		1	10	2
2	Caitlin CURY (63,00)	Brown	Tolide Judo Kwai AB				0	0	3
3	Ilhem OUALI (63,00)	Brown	Judo Shidokan QC	10	10		2	20	1

Matches

Match	White			Blue	Result	Time	Code
D-66	Isabelle HARRIS	1	2	Caitlin CURY	10 - 0	1:10	IPO
D-71	Isabelle HARRIS	1	3	Ilhem OUALI	0 - 10	1:12	IPO
D-76	Caitlin CURY	2	3	Ilhem OUALI	0 - 10	1:20	IPO

Results

Pos	Name
1	Ilhem OUALI, Judo Shidokan QC
2	Isabelle HARRIS, Abbotsford Judo BC

U16 Women -70kg

Competitors

#	Name	Grade	Club	1	2	1	2	1	2	Wins	Pts	Pos
1	Maria MARTIN (70,00)	Blue	Pense Judo SK		10		1			2	11	1
2	Brae BOOTH (70,00)	Green	Creston Judo BC							0	0	2

Matches

Match	White			Blue	Result	Time	Code
A-5	Maria MARTIN	1	2	Brae BOOTH	10 - 0	2:27	IPO
A-16	Maria MARTIN	1	2	Brae BOOTH	1 - 0	3:00	YUS
A-25	Maria MARTIN	1	2	Brae BOOTH			

Results

Pos	Name
1	Maria MARTIN, Pense Judo SK

U16 Men -38kg

Competitors

#	Name	Grade	Club	1	2	1	2	1	2	Wins	Pts	Pos
1	Max JOE (42,00)	Green	Burnaby Judo BC		1		10			2	11	1
2	Isaiah INGRAM (38,00)	Green	Abbotsford Judo BC							0	0	2

Matches

Match	White			Blue	Result	Time	Code
C-3	Max JOE	1	2	Isaiah INGRAM	1 - 0	6:00	GS
C-12	Max JOE	1	2	Isaiah INGRAM	10 - 0	1:27	IPO
C-25	Max JOE	1	2	Isaiah INGRAM			

Results

Pos	Name
1	Max JOE, Burnaby Judo BC

U16 Men -42kg

Competitors

#	Name	Grade	Club	1	2	1	2	1	2	Wins	Pts	Pos
1	Justin MCKAY (42,00)	Blue	Pense Judo SK							0	0	2
2	korin GARDNER (42,00)	Green	Nanaimo Judo BC	1		1				2	2	1

Matches

Match	White			Blue	Result	Time	Code
D-64	Justin MCKAY	1	2	korin GARDNER	0 - 1	3:00	YUS
D-69	Justin MCKAY	1	2	korin GARDNER	0 - 1	4:40	GS
D-74	Justin MCKAY	1	2	korin GARDNER			

Results

Pos	Name
1	korin GARDNER, Nanaimo Judo BC

U16 Men -46kg

Competitors

#	Name	Grade	Club	1	2	3	Wins	Pts	Pos
1	Maximus LITZENBERGER (46,00)	Blue	South Corman SK		10		1	10	2
2	Jake GRANT (46,00)	Green	Kokushikai BC				0	0	3
3	Declan HARDING (46,00)	Blue	Ryu Senshi AB	10	10		2	20	1

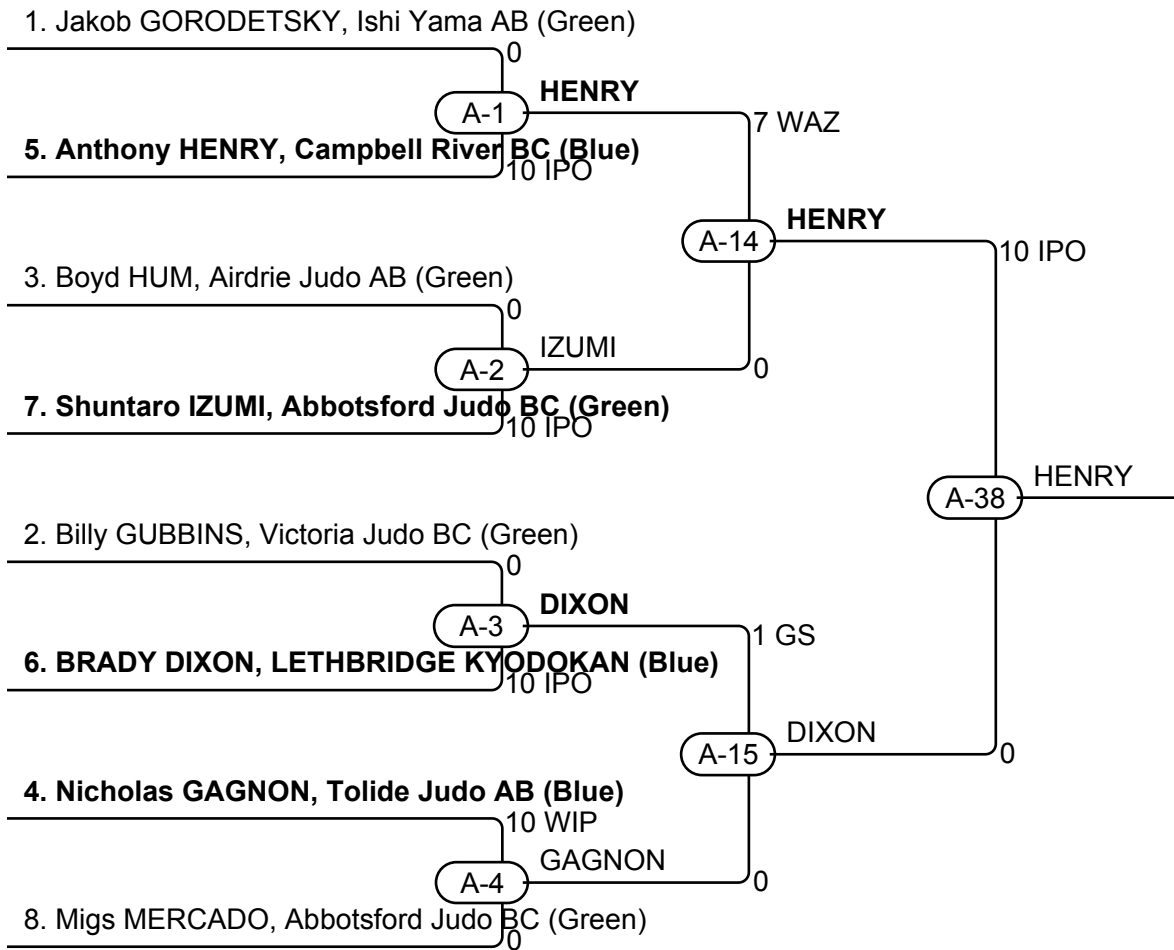
Matches

Match	White			Blue	Result	Time	Code
D-65	Maximus LITZENBERGER	1	2	Jake GRANT	10 - 0	1:44	WIP
D-70	Maximus LITZENBERGER	1	3	Declan HARDING	0 - 10	2:46	IPO
D-75	Jake GRANT	2	3	Declan HARDING	0 - 10	0:35	IPO

Results

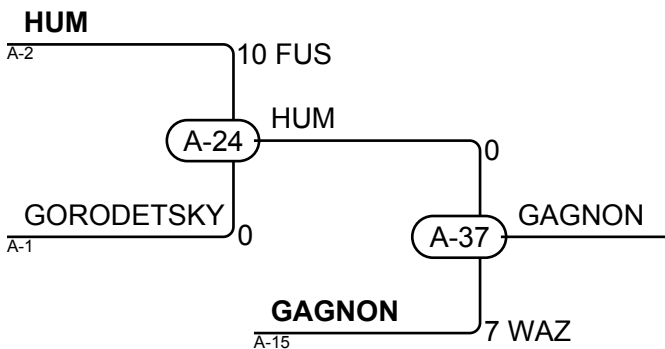
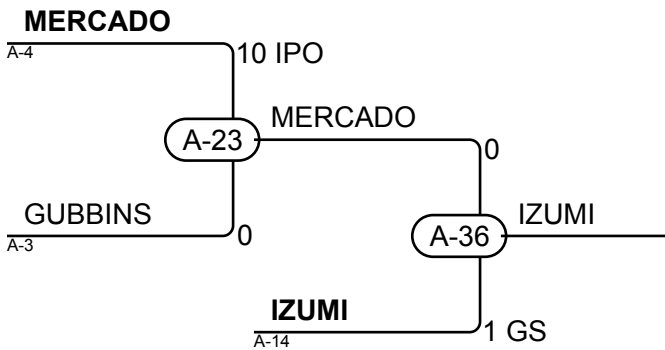
Pos	Name
1	Declan HARDING, Ryu Senshi AB
2	Maximus LITZENBERGER, South Corman SK

U16 Men -50kg

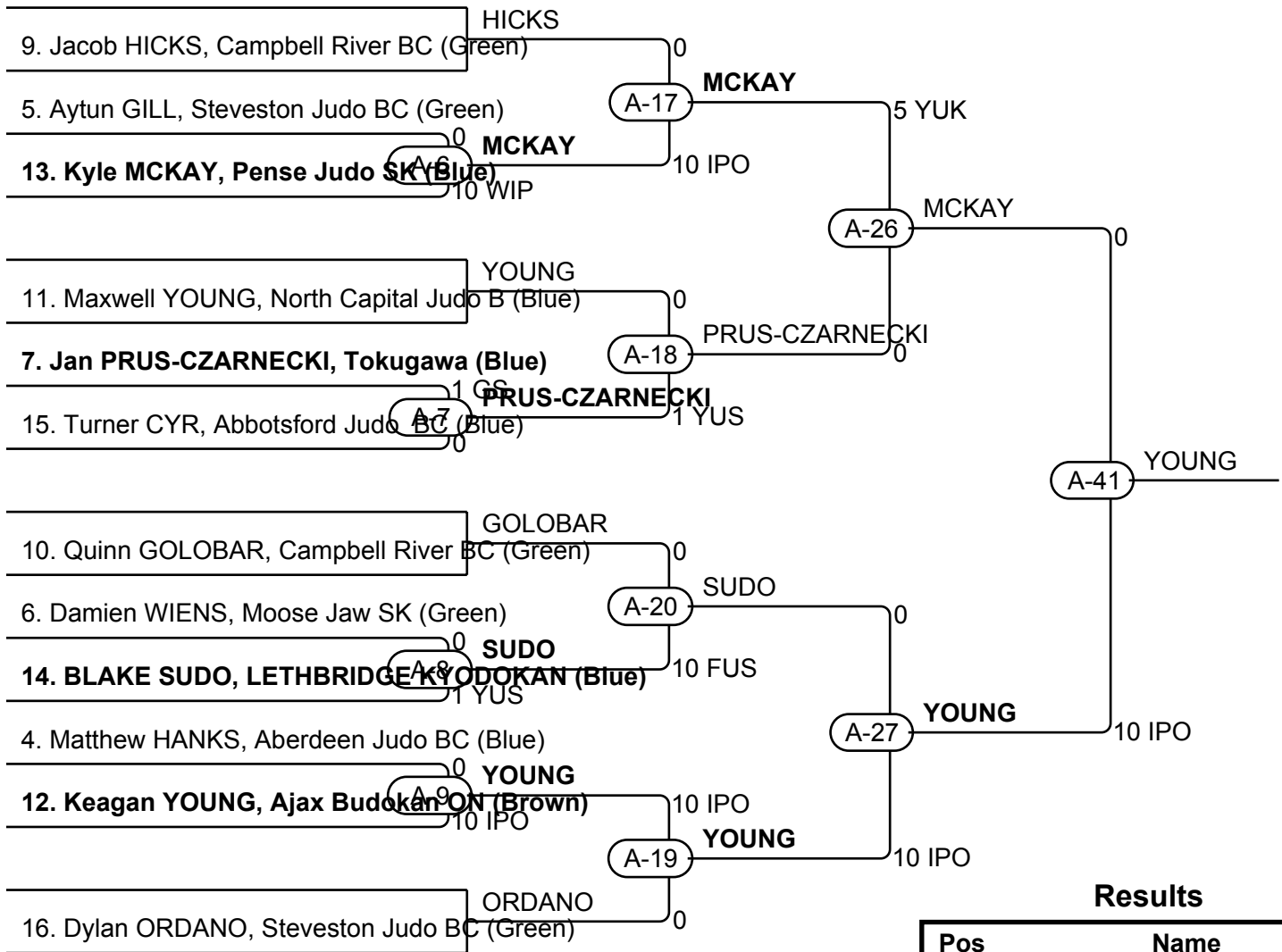


Results

Pos	Name
1	Anthony HENRY, Campbell River BC
2	BRADY DIXON, LETHBRIDGE KYODOKAN
3	Shuntaro IZUMI, Abbotsford Judo BC
3	Nicholas GAGNON, Tolide Judo AB

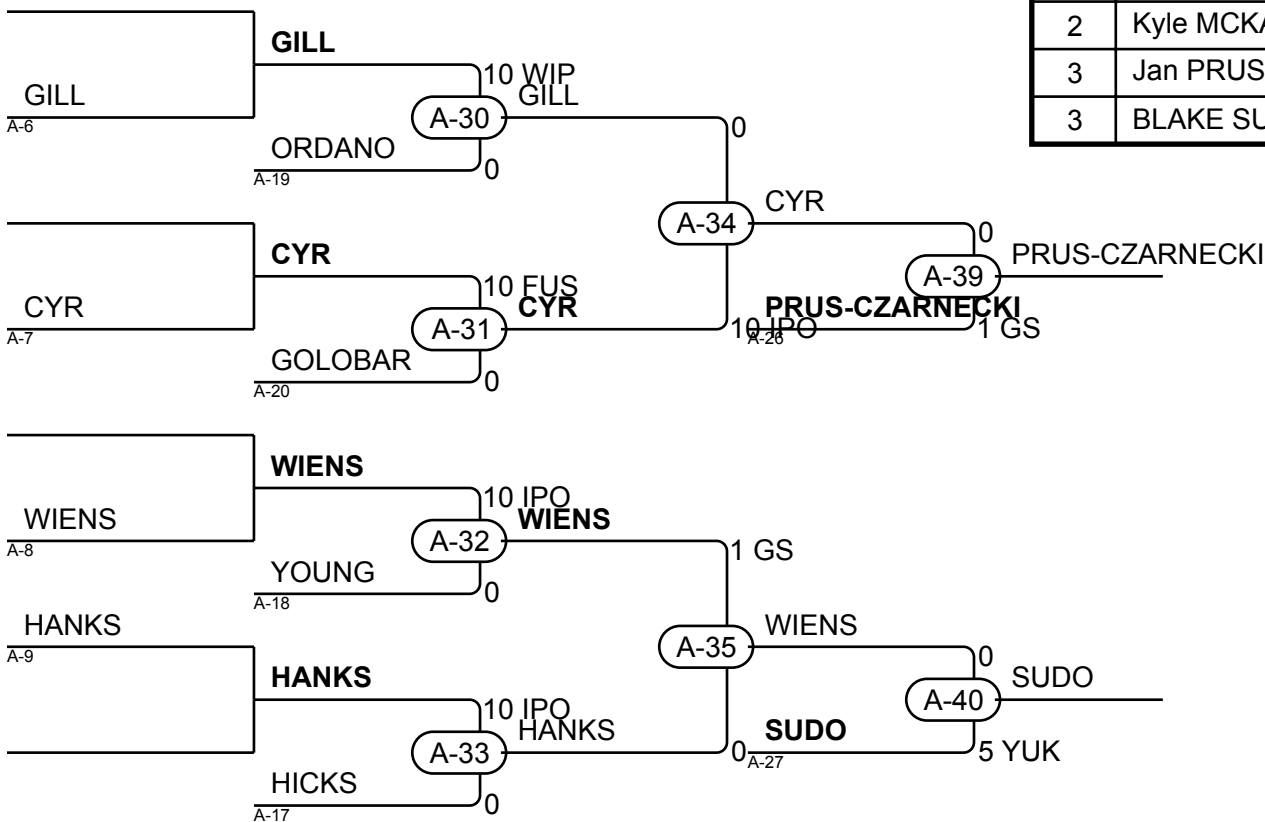


U16 Men -55kg

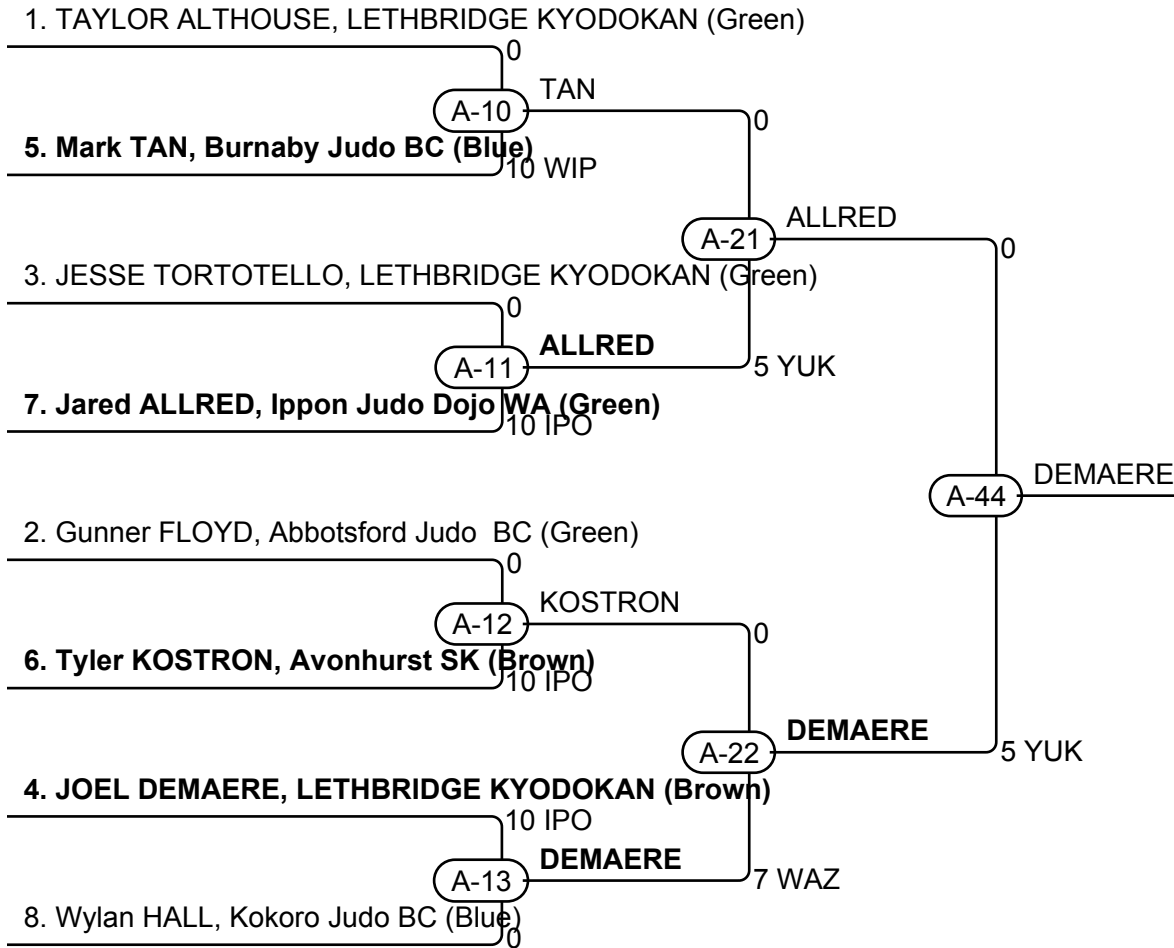


Results

Pos	Name
1	Keagan YOUNG, Ajax Budokan ON
2	Kyle MCKAY, Pense Judo SK
3	Jan PRUS-CZARNECKI, Tokugawa
3	BLAKE SUDO, LETHBRIDGE KYODOKAN

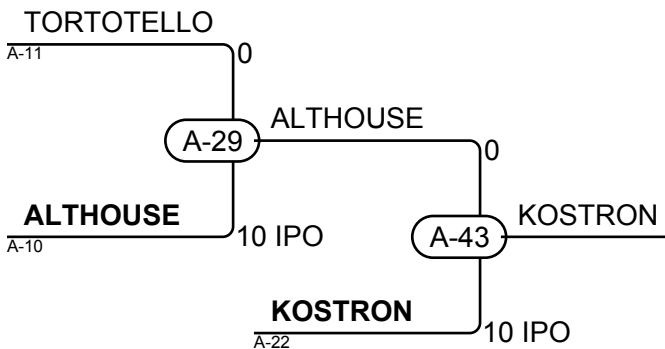
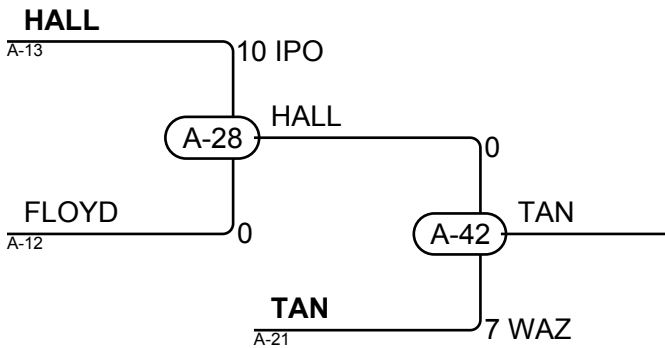


U16 Men -60kg



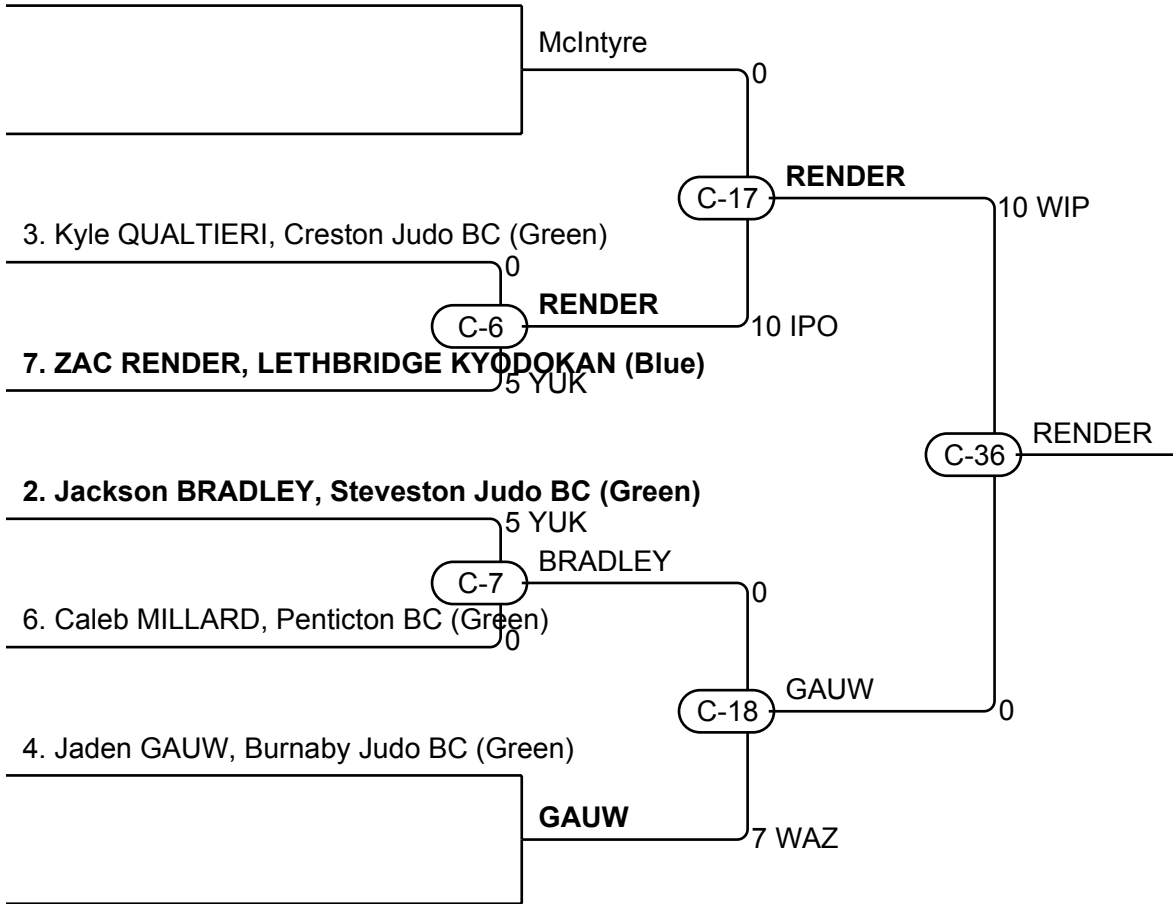
Results

Pos	Name
1	JOEL DEMAERE, LETHBRIDGE KYODOKAN (Brown)
2	Jared ALLRED, Ippon Judo Dojo WA (Green)
3	Mark TAN, Burnaby Judo BC (Blue)
3	Tyler KOSTRON, Avonhurst SK (Brown)



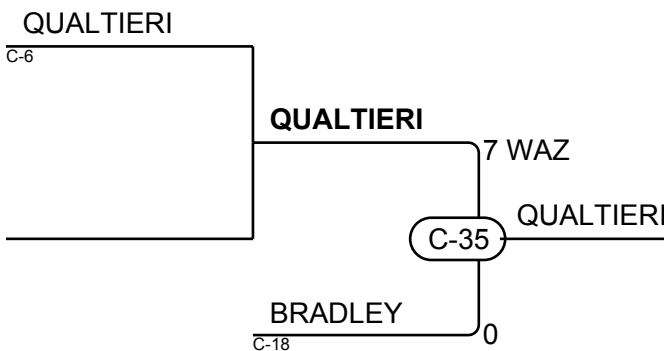
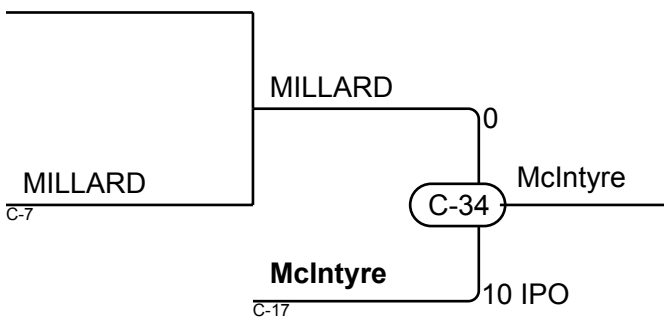
U16 Men -66kg

1. Ben McIntyre, Victoria Judo BC (Green)



Results

Pos	Name
1	ZAC RENDER, LETHBRIDGE KYODOKAN
2	Jaden GAUW, Burnaby Judo BC
3	Ben McIntyre, Victoria Judo BC
3	Kyle QUALTIERI, Creston Judo BC



U16 Men -73kg

Competitors

#	Name	Grade	Club	1	2	3	4	Wins	Pts	Pos
1	Payton HARRIS (73,00)	Green	Abbotsford Judo BC		10	10		2	20	2
2	Adam SULLIVAN (73,00)	Blue	Kokoro Judo BC					0	0	4
3	Joseph DRAKE (73,00)	Blue	Tolide Judo Kwai AB		10			1	10	3
4	Eliezer ELVIRA (73,00)	Blue	Lloydminster SK	10	10	10		3	30	1

Matches

Match	White			Blue	Result	Time	Code
C-8	Payton HARRIS	1	2	Adam SULLIVAN	10 - 0	0:26	IPO
C-9	Joseph DRAKE	3	4	Eliezer ELVIRA	0 - 10	0:48	WIP
C-19	Payton HARRIS	1	3	Joseph DRAKE	10 - 0	0:04	IPO
C-20	Adam SULLIVAN	2	4	Eliezer ELVIRA	0 - 10	0:08	IPO
C-28	Payton HARRIS	1	4	Eliezer ELVIRA	0 - 10	0:35	IPO
C-29	Adam SULLIVAN	2	3	Joseph DRAKE	0 - 10	1:56	IPO

Results

Pos	Name
1	Eliezer ELVIRA, Lloydminster SK
2	Payton HARRIS, Abbotsford Judo BC
3	Joseph DRAKE, Tolide Judo Kwai AB

U16 Men +73kg

Competitors

#	Name	Grade	Club	1	2	3	4	Wins	Pts	Pos
1	Wilson ELLIOT (100,00)	Green	Kam Lake NT		10	7		2	17	2
2	Nolan ELLIOT (100,00)	Green	Kam Lake NT					0	0	4
3	Ben HAUGHTON (81,00)	Green	Kamloops Judo BC		10			1	10	3
4	Ian RYDER (73,00)	Blue	Steveston Judo BC	10	10	10		3	30	1

Matches

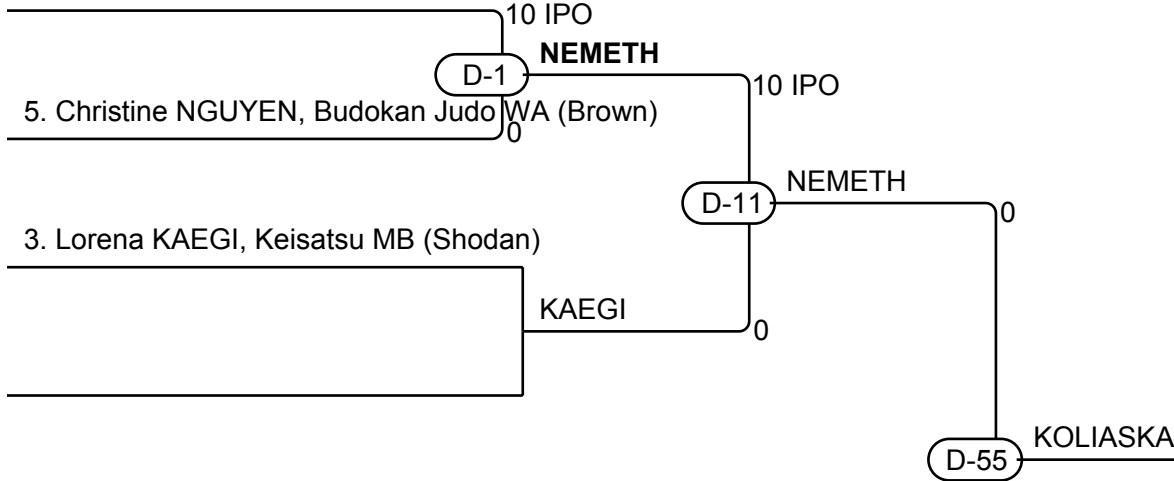
Match	White			Blue	Result	Time	Code
C-10	Wilson ELLIOT	1	2	Nolan ELLIOT	10 - 0	0:08	IPO
C-11	Ben HAUGHTON	3	4	Ian RYDER	0 - 10	1:06	IPO
C-21	Wilson ELLIOT	1	3	Ben HAUGHTON	7 - 0	3:00	WAZ
C-22	Nolan ELLIOT	2	4	Ian RYDER	0 - 10	0:12	IPO
C-30	Wilson ELLIOT	1	4	Ian RYDER	0 - 10	0:12	IPO
C-31	Nolan ELLIOT	2	3	Ben HAUGHTON	0 - 10	0:00	WIP

Results

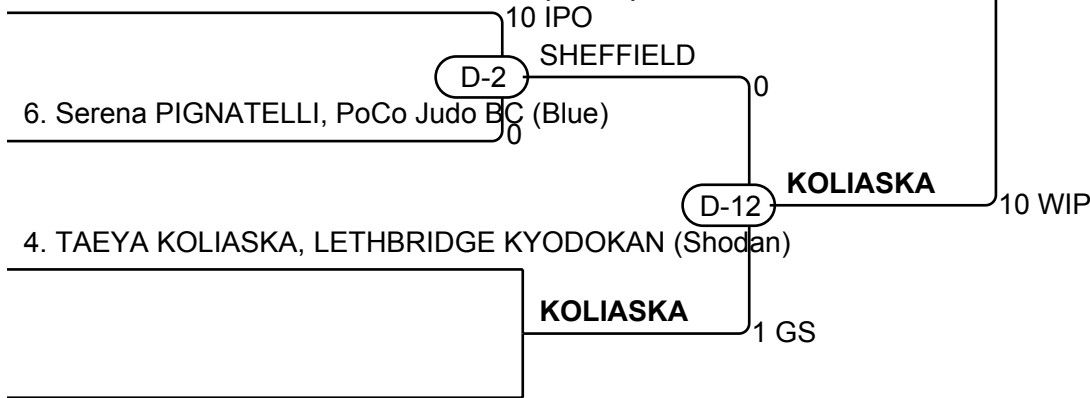
Pos	Name
1	Ian RYDER, Steveston Judo BC
2	Wilson ELLIOT, Kam Lake NT
3	Ben HAUGHTON, Kamloops Judo BC

Sen.Women -48kg

1. VIRGINIA NEMETH, LETHBRIDGE KYODOKAN (Shodan)

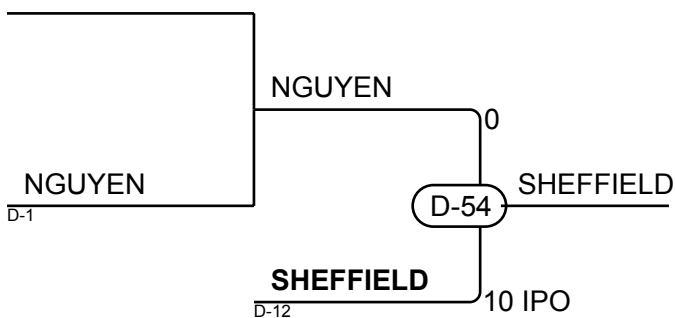
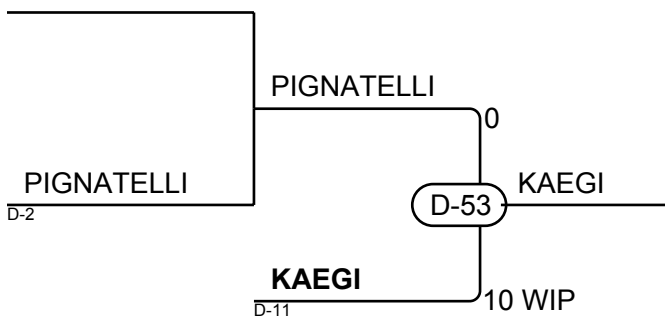


2. Lea SHEFFIELD, Sheffield Judo ON (Nidan)

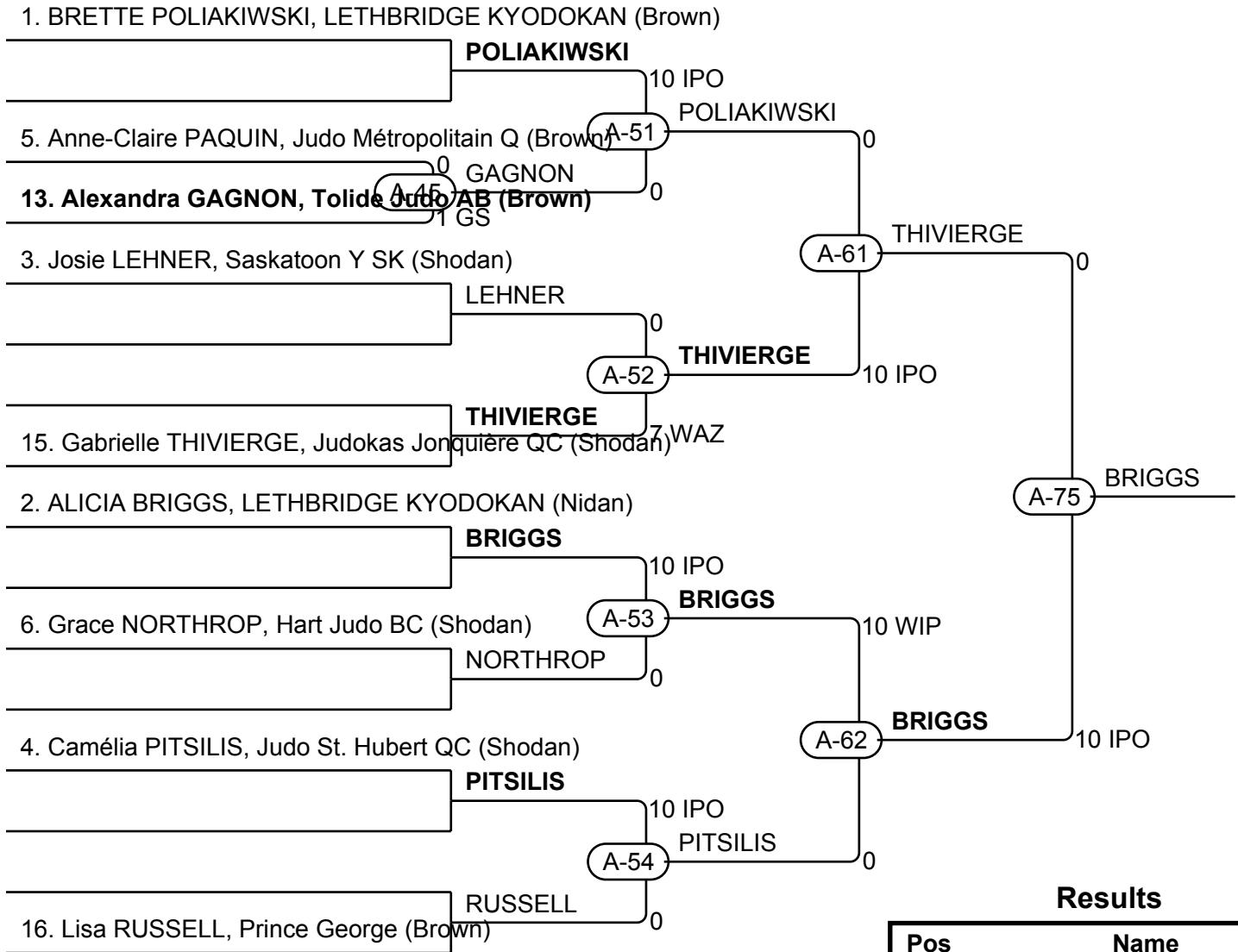


Results

Pos	Name
1	TAEYA KOLIASKA, LETHBRIDGE KYODOKAN (Shodan)
2	VIRGINIA NEMETH, LETHBRIDGE KYODOKAN (Shodan)
3	Lorena KAEGI, Keisatsu MB
3	Lea SHEFFIELD, Sheffield Judo ON

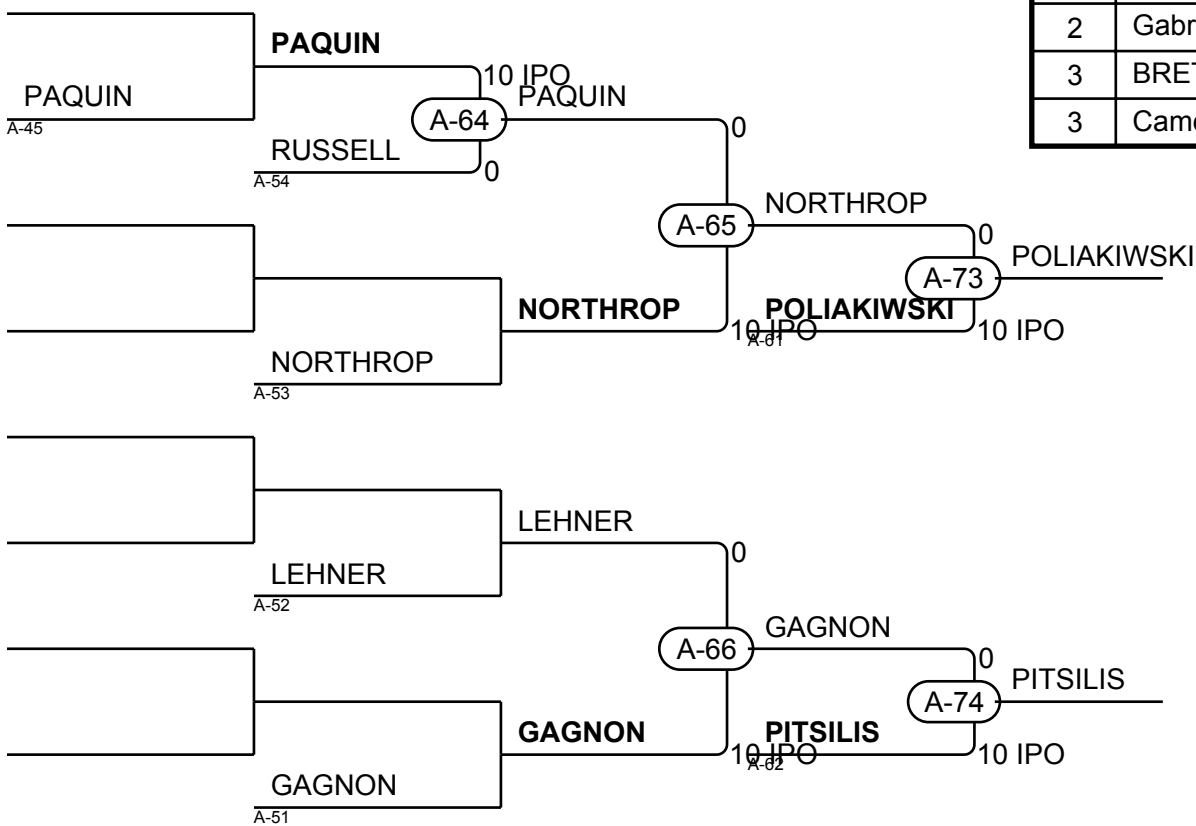


Sen.Women -57kg

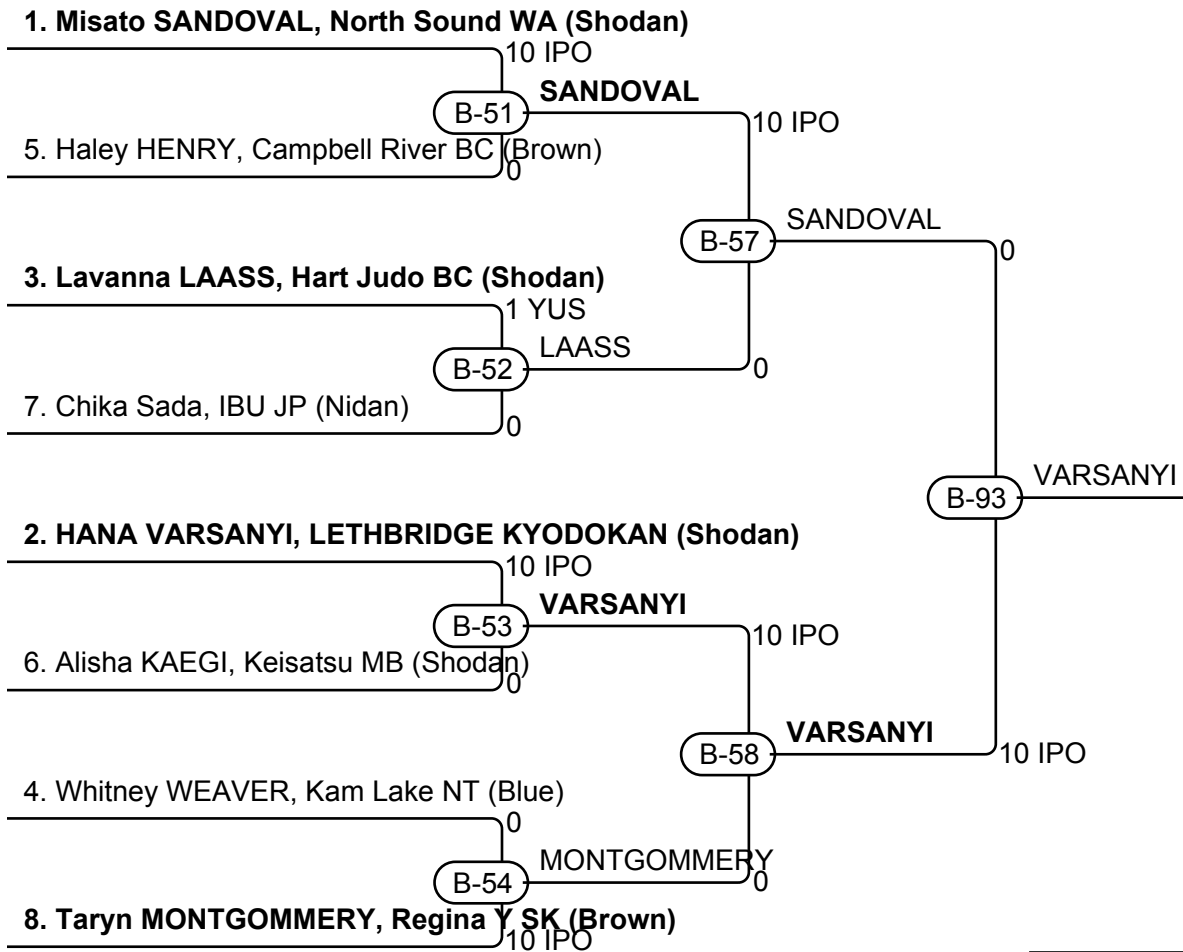


Results

Pos	Name
1	ALICIA BRIGGS, LETHBRIDGE KYODOKAN (Nidan)
2	Gabrielle THIVIERGE, Judokas Jongquière QC (Shodan)
3	BRETTE POLIAKIWSKI, LETHBRIDGE KYODOKAN (Brown)
3	Camélia PITSILIS, Judo St. Hubert QC (Shodan)

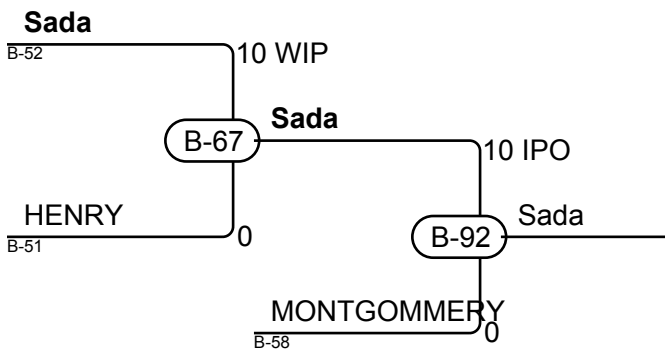
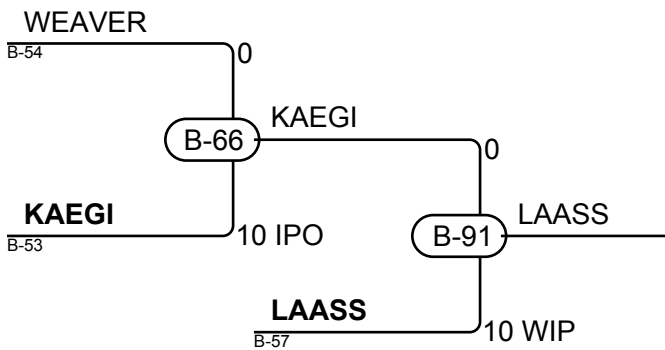


Sen.Women -63kg



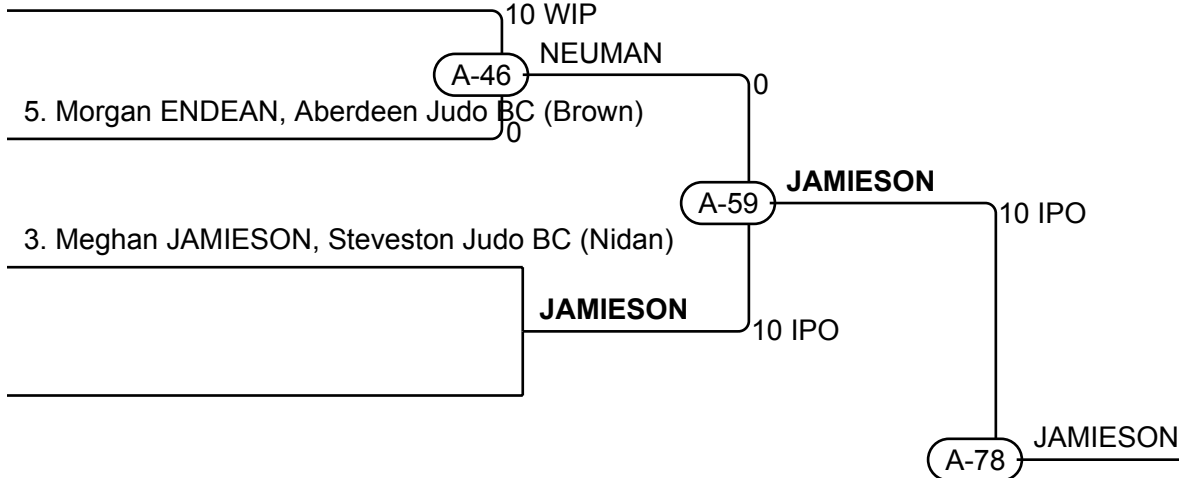
Results

Pos	Name
1	HANA VARSANYI, LETHBRIDGE KY
2	Misato SANDOVAL, North Sound WA
3	Lavanna LAASS, Hart Judo BC
3	Chika Sada, IBU JP

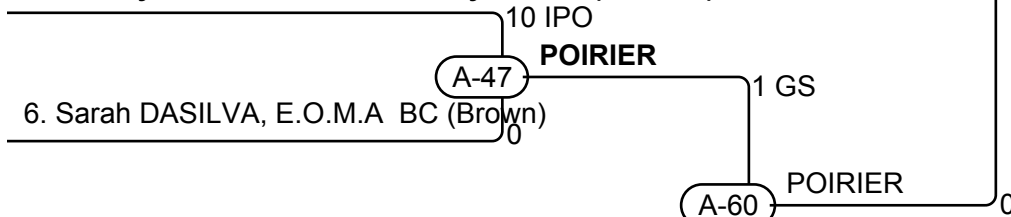


Sen.Women -70kg

1. Megan NEUMAN, Prince Albert SK (Blue)



2. Audrey POIRIER, Judo Saint Hyacinthe (Shodan)

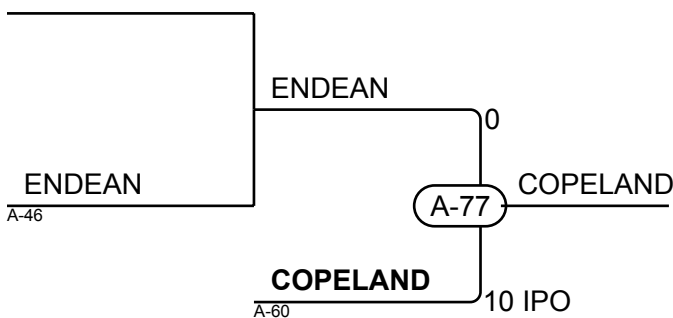
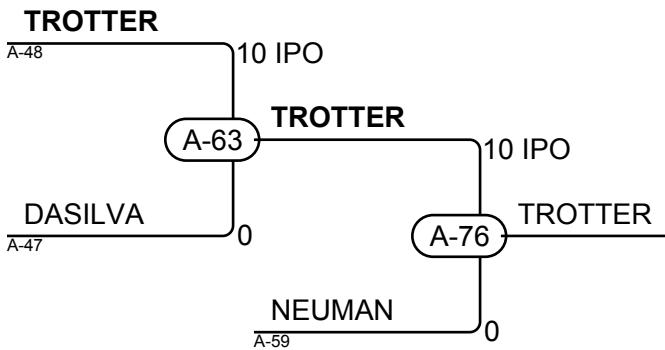


4. Allayah COPELAND, Ajax Budokan ON (Brown)



Results

Pos	Name
1	Meghan JAMIESON, Steveston Judo BC (Nidan)
2	Audrey POIRIER, Judo Saint Hyacinthe (Shodan)
3	KEIRA TROTTER, LETHBRIDGE KYODOKAN (Brown)
3	Allayah COPELAND, Ajax Budokan ON (Brown)



Sen.Women +78kg

Competitors

#	Name	Grade	Club	1	2	3	4	Wins	Pts	Pos
1	Kelsey PAINTER (78,00)	Blue	Campbell River BC			10		1	10	3
2	Chihiro Takahashi (78,00)	Sandan	IBU JP	10		10	10	3	30	1
3	Josephine MORGENROTH (78,00)	Uwano	Kelowna Judo BC					0	0	4
4	Annie ATKINSON (78,00)	Shodan	Zenyu Judo WA	1		1		2	2	2

Matches

Match	White			Blue	Result	Time	Code
C-44	Kelsey PAINTER	1	2	Chihiro Takahashi	0 - 10	1:05	IPO
C-45	Josephine MORGENROTH	3	4	Annie ATKINSON	0 - 1	4:00	YUS
C-52	Kelsey PAINTER	1	3	Josephine MORGENROTH	10 - 0	0:31	WIP
C-53	Chihiro Takahashi	2	4	Annie ATKINSON	10 - 0	2:53	HAN
C-62	Kelsey PAINTER	1	4	Annie ATKINSON	0 - 1	4:00	YUS
C-63	Chihiro Takahashi	2	3	Josephine MORGENROTH	10 - 0	0:33	IPO

Results

Pos	Name
1	Chihiro Takahashi, IBU JP
2	Annie ATKINSON, Zenyu Judo WA
3	Kelsey PAINTER, Campbell River BC

Sen.Men -55kg

Competitors

#	Name	Grade	Club	1	2	1	2	1	2	Wins	Pts	Pos
1	Taylan YUASA (55,00)	Shodan	Budokan WA		10		10			2	20	1
2	Dontae DEJESUS (0,00)	Brown	UCJC ON							0	0	2

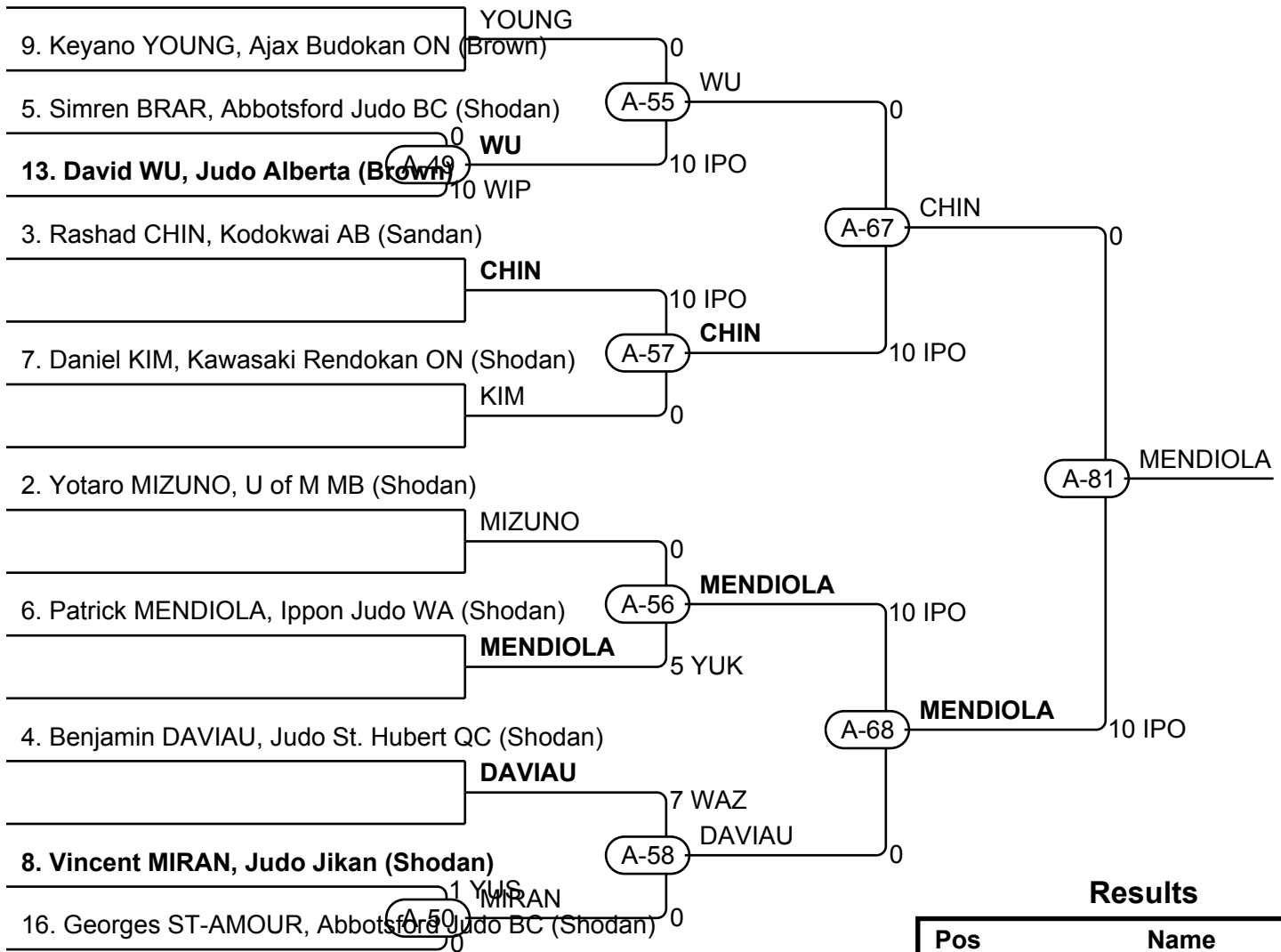
Matches

Match	White			Blue	Result	Time	Code
B-55	Taylan YUASA	1	2	Dontae DEJESUS	10 - 0	0:00	IPO
B-59	Taylan YUASA	1	2	Dontae DEJESUS	10 - 0	0:00	IPO
B-68	Taylan YUASA	1	2	Dontae DEJESUS			

Results

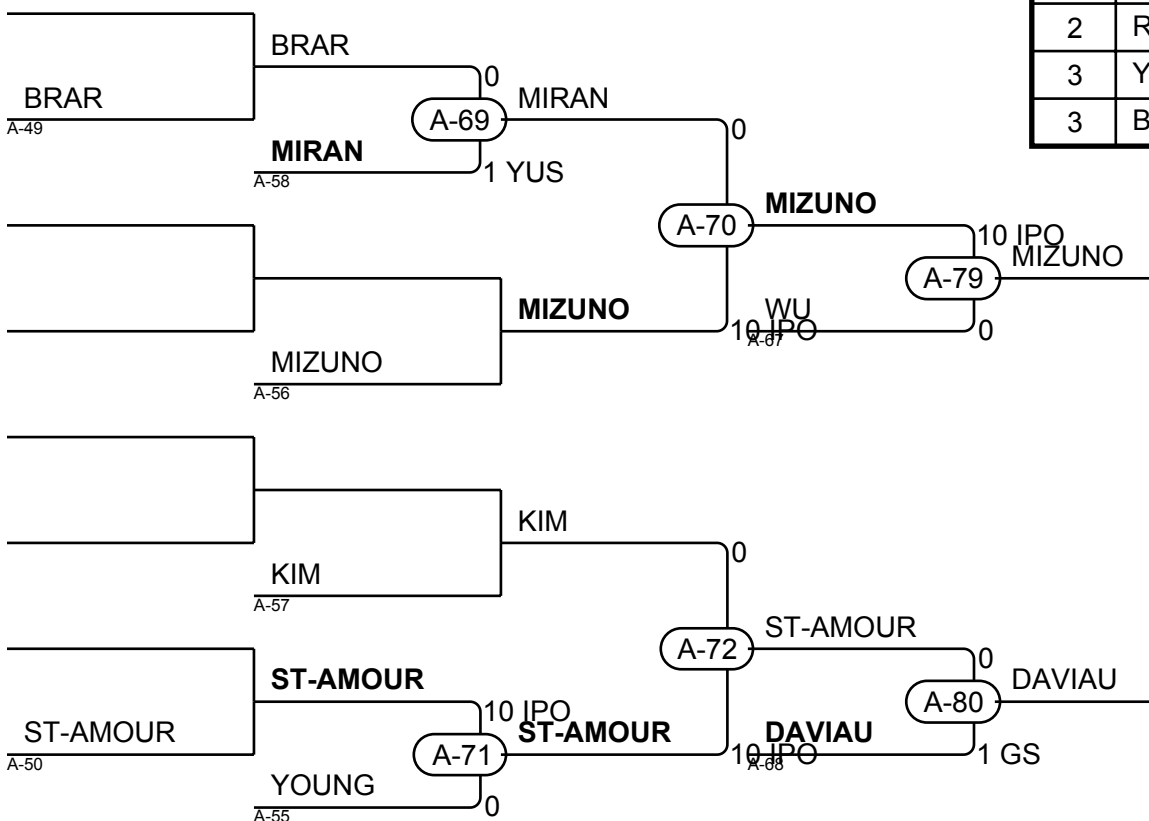
Pos	Name
1	Taylan YUASA, Budokan WA

Sen.Men -60kg

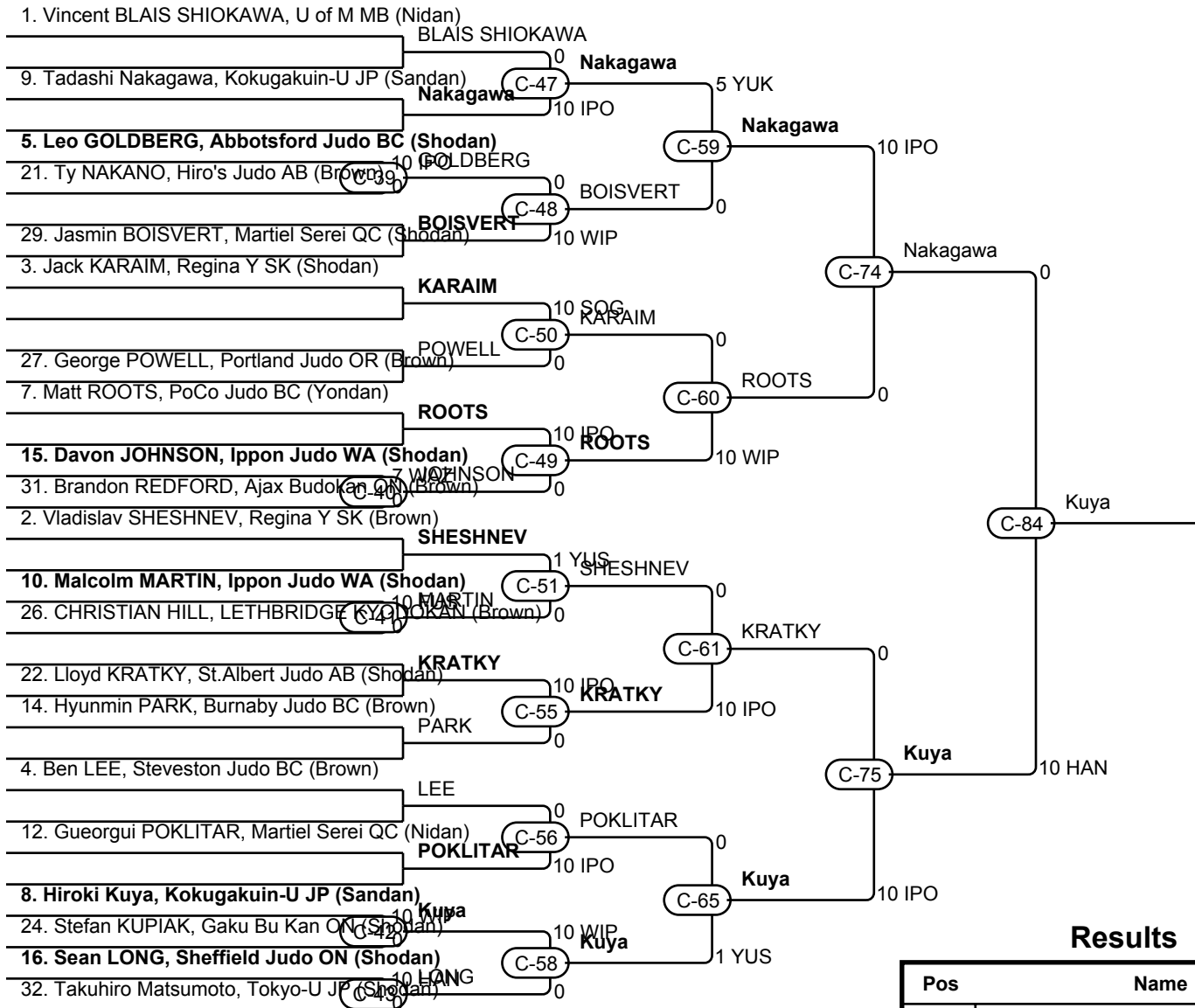


Results

Pos	Name
1	Patrick MENDIOLA, Ippon Judo WA
2	Rashad CHIN, Kodokwai AB
3	Yotaro MIZUNO, U of M MB
3	Benjamin DAVIAU, Judo St. Hubert QC

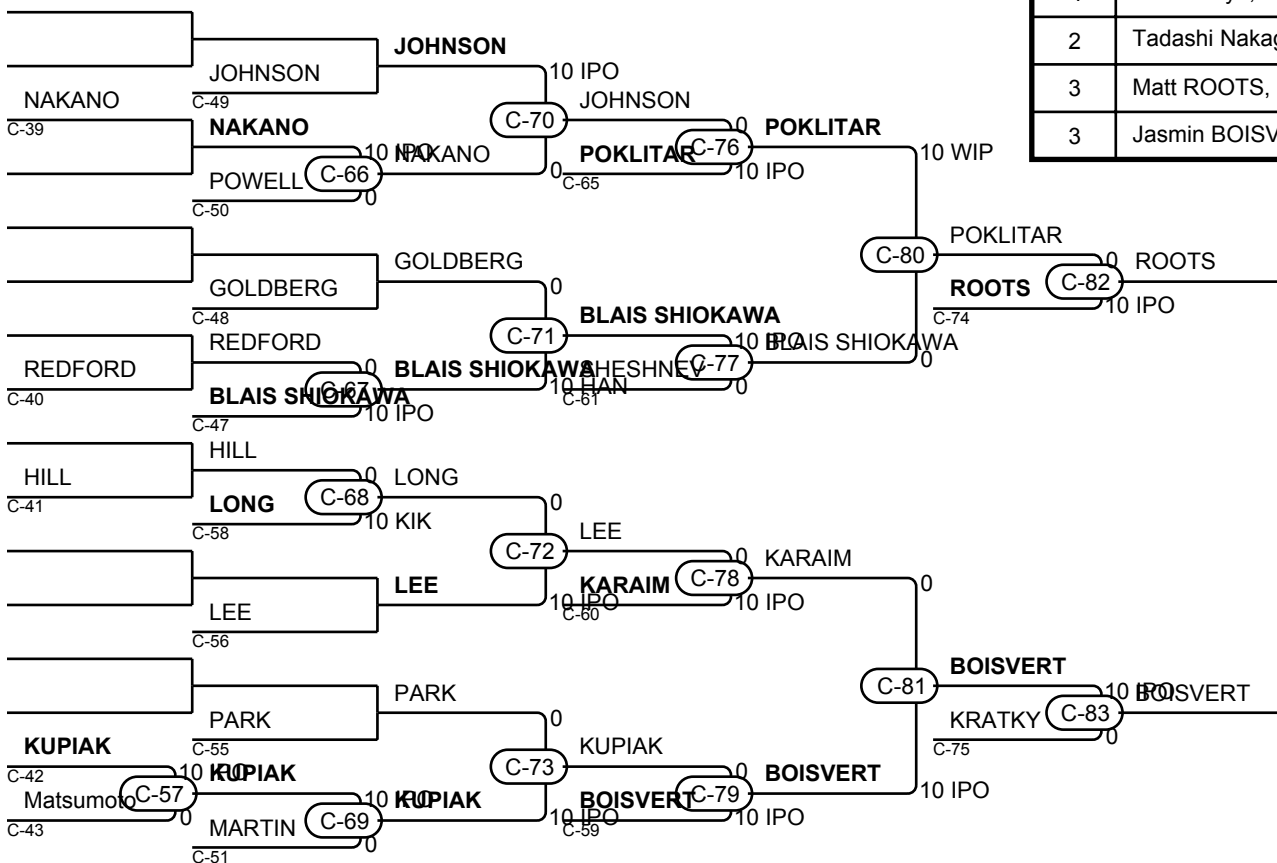


Sen.Men -66kg

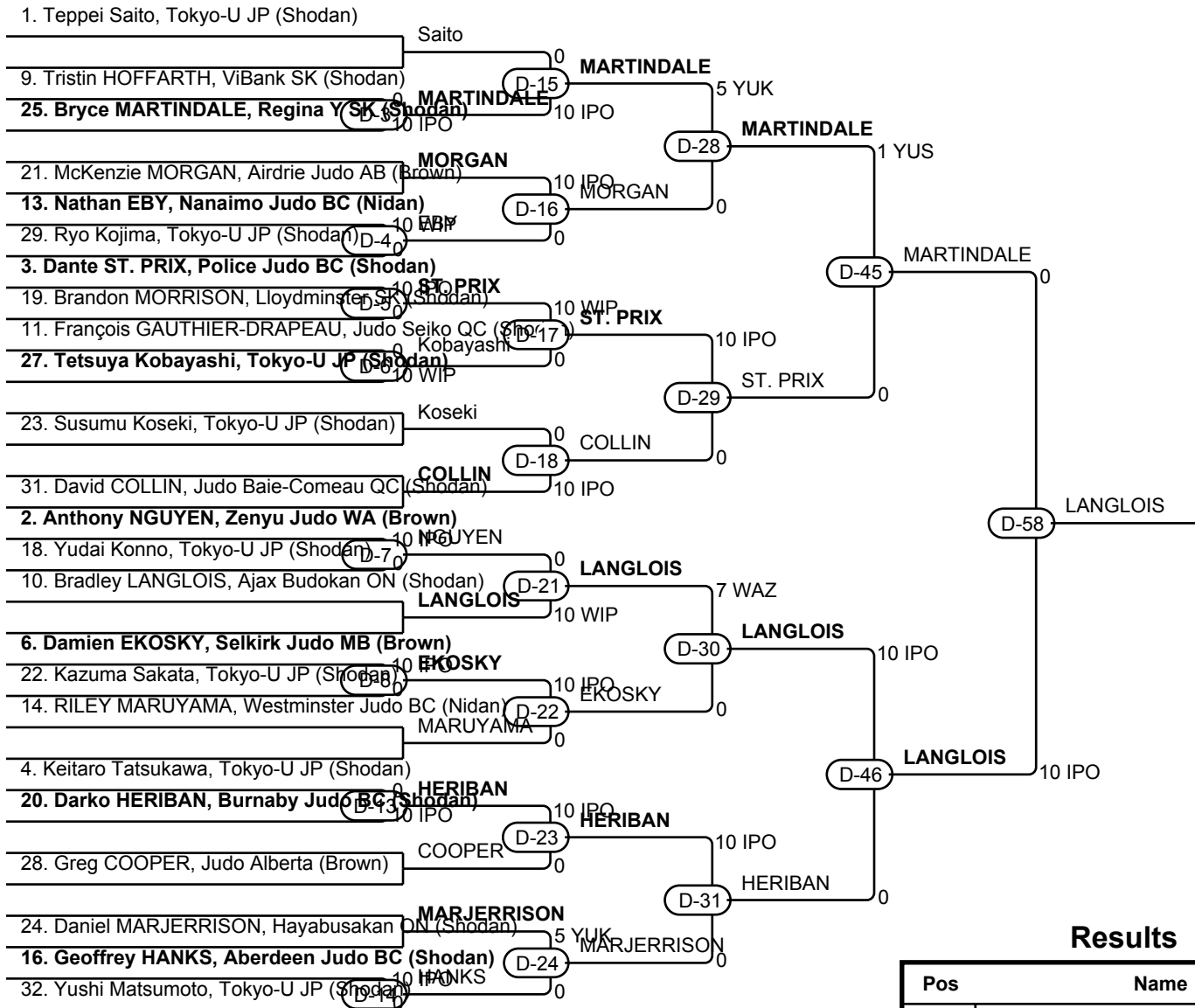


Results

Pos	Name
1	Hiroki Kuya, Kokugakuin-U JP
2	Tadashi Nakagawa, Kokugakuin-U JP
3	Matt ROOTS, PoCo Judo BC
3	Jasmin BOISVERT, Martiel Serei QC

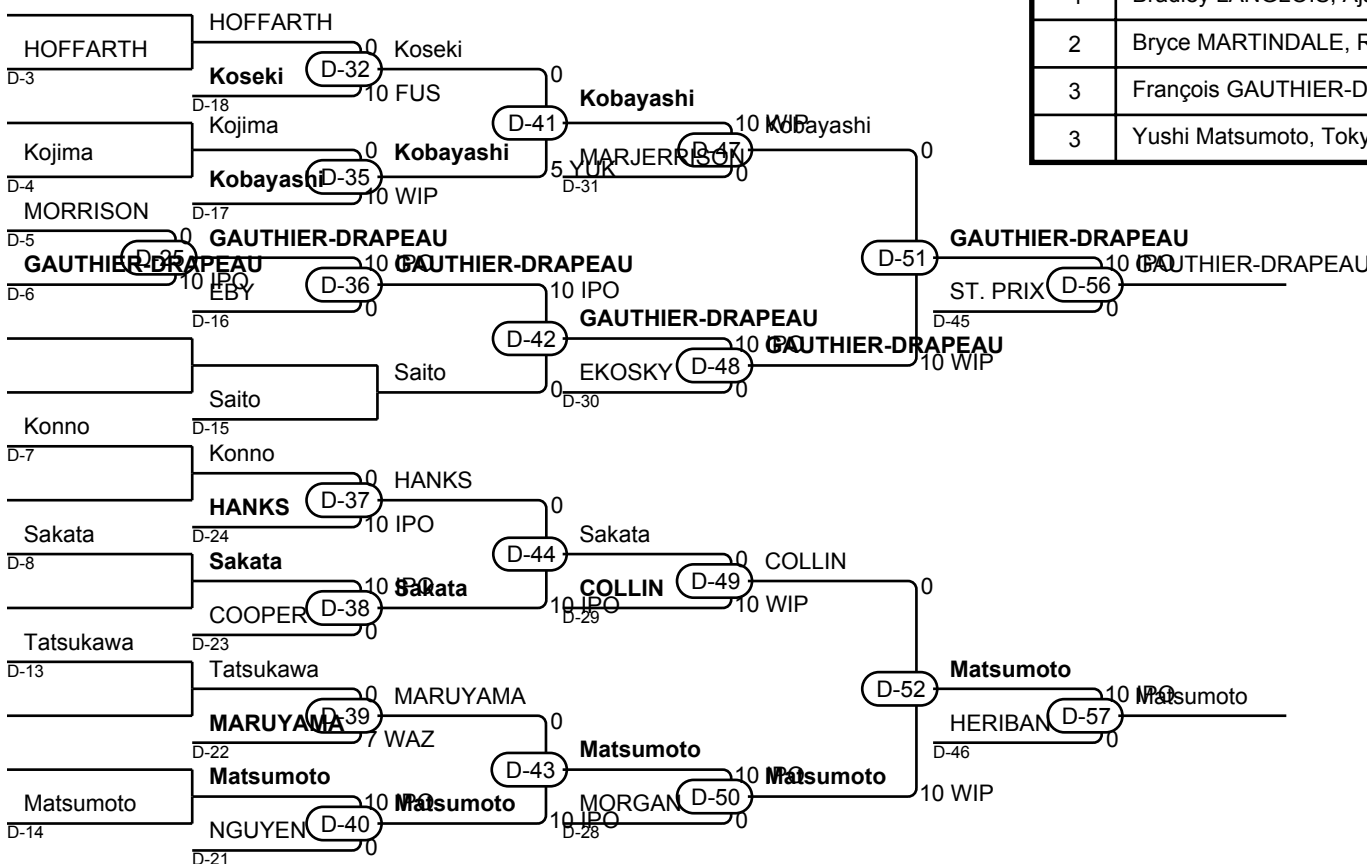


Sen.Men -73kg

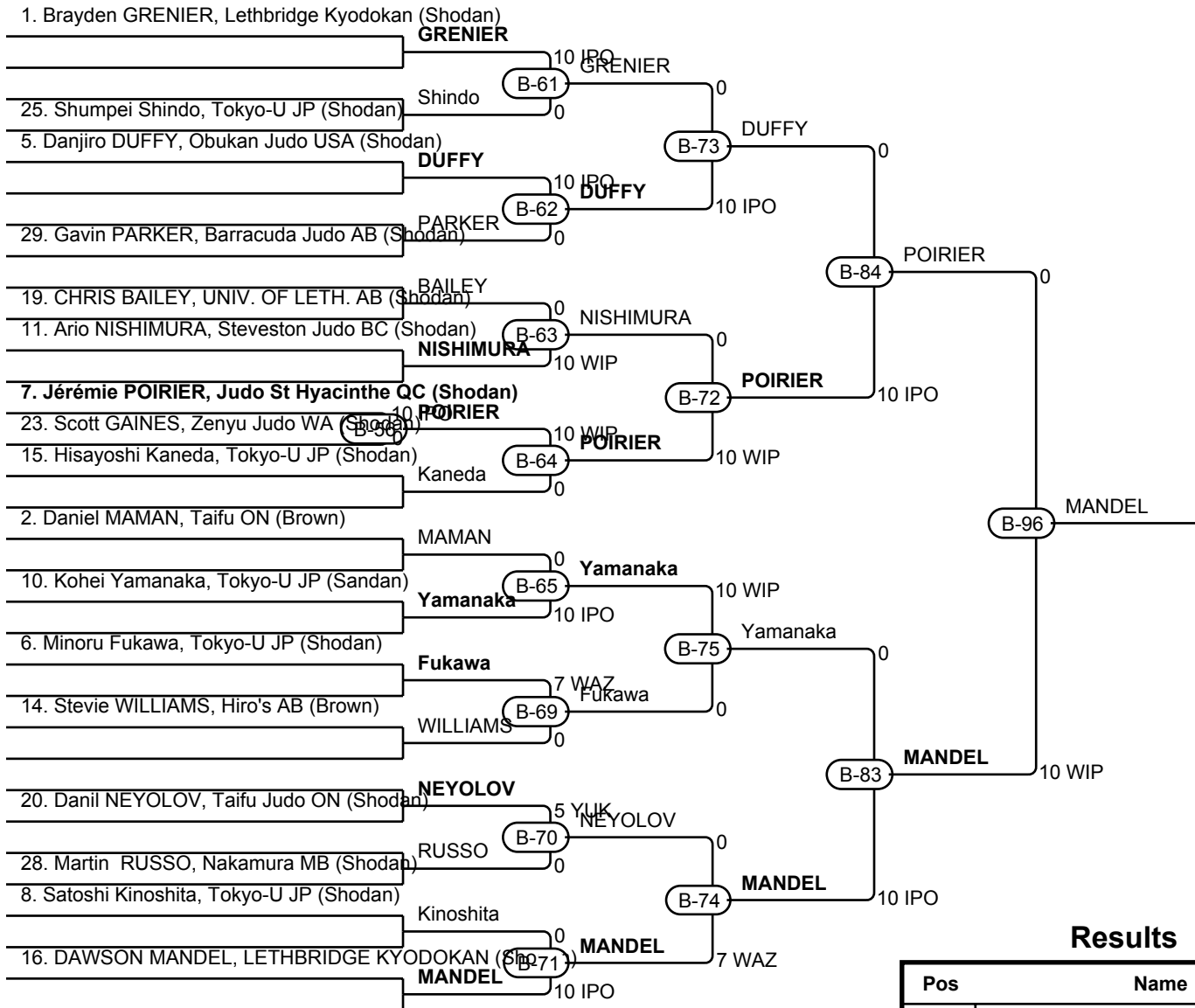


Results

Pos	Name
1	Bradley LANGLOIS, Ajax Budokan ON
2	Bryce MARTINDALE, Regina Y SK
3	François GAUTHIER-DRAPEAU, Judo Seiko QC
3	Yushi Matsumoto, Tokyo-U JP

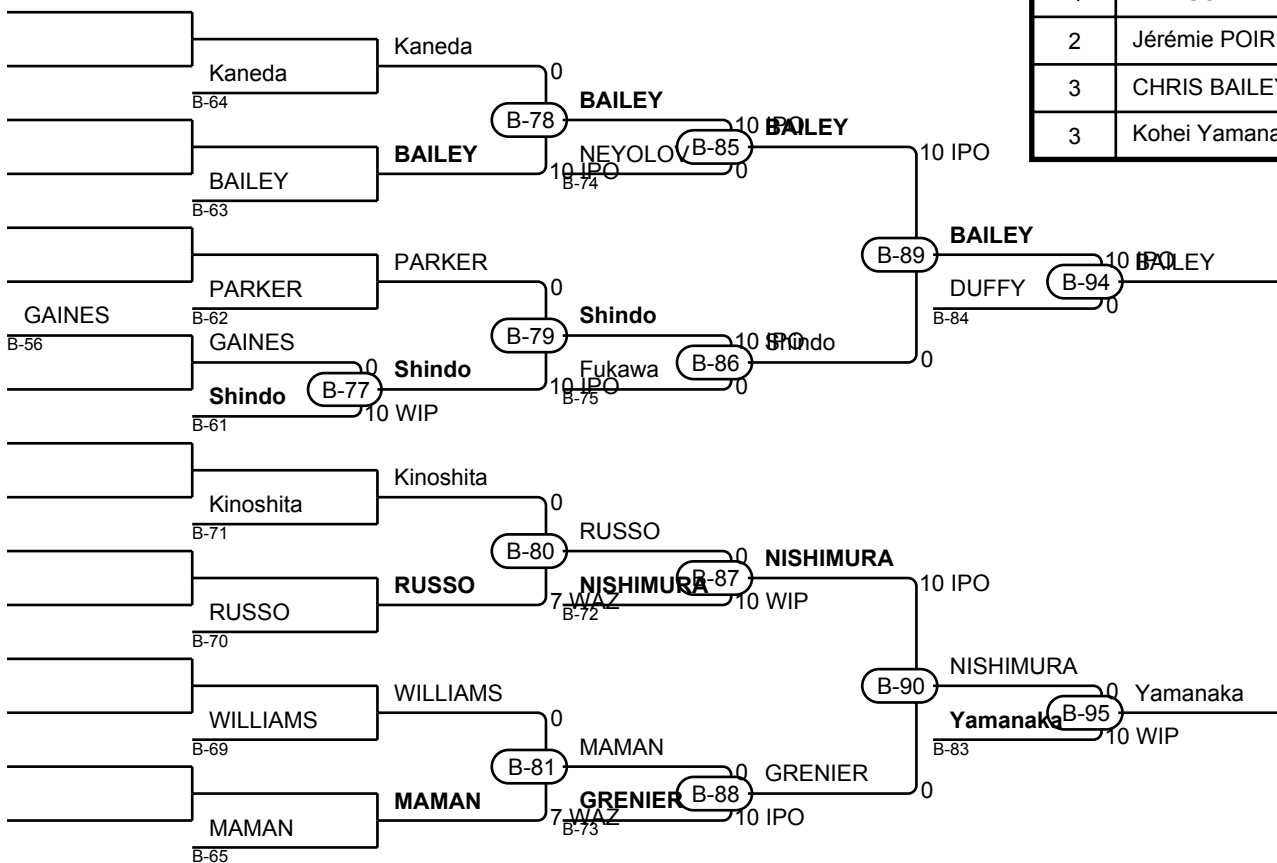


Sen.Men -81kg

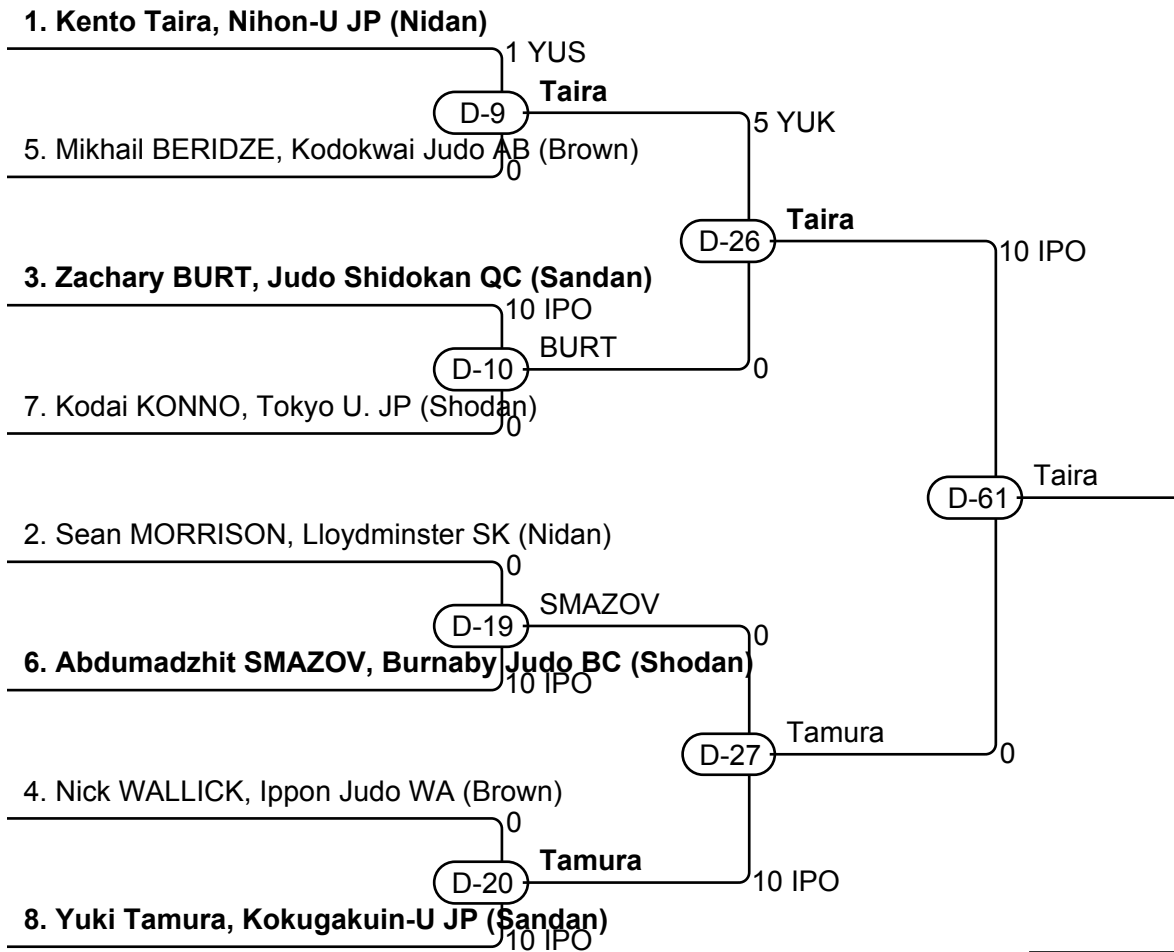


Results

Pos	Name
1	DAWSON MANDEL, LETHBRIDGE KYODOKAN
2	Jérémie POIRIER, Judo St Hyacinthe QC
3	CHRIS BAILEY, UNIV. OF LETH. AB
3	Kohei Yamanaka, Tokyo-U JP

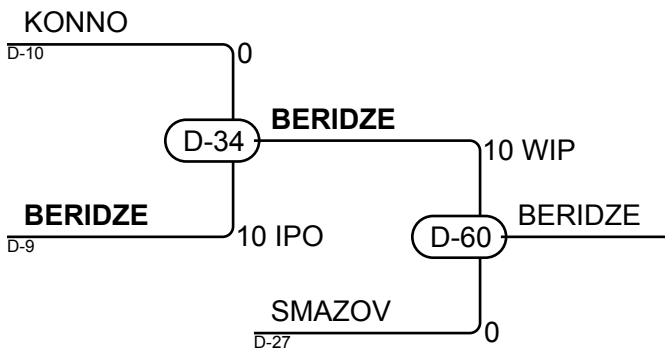
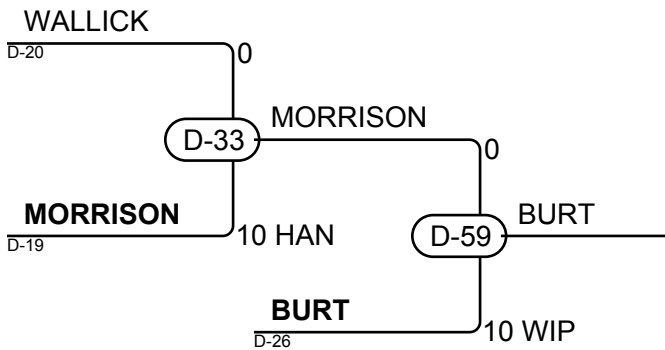


Sen.Men -90kg



Results

Pos	Name
1	Kento Taira, Nihon-U JP
2	Yuki Tamura, Kokugakuin-U JP
3	Zachary BURT, Judo Shidokan QC
3	Mikhail BERIDZE, Kodokwai Judo AB



Sen.Men -100kg

Competitors

#	Name	Grade	Club	1	2	3	Wins	Pts	Pos
1	Tavis JAMIESON (100,00)	Nidan	Steveston Judo BC			10	1	10	2
2	Andriy ROMANOV (100,00)	Shodan	Burnaby Judo BC	10		10	2	20	1
3	Denny NGUYEN (100,00)	Shodan	Zenyu Judo WA				0	0	3

Matches

Match	White			Blue	Result	Time	Code
C-46	Tavis JAMIESON	1	2	Andriy ROMANOV	0 - 10	4:46	IPO
C-54	Tavis JAMIESON	1	3	Denny NGUYEN	10 - 0	2:22	IPO
C-64	Andriy ROMANOV	2	3	Denny NGUYEN	10 - 0	1:56	IPO

Results

Pos	Name
1	Andriy ROMANOV, Burnaby Judo BC
2	Tavis JAMIESON, Steveston Judo BC

Sen.Men +100kg

Competitors

#	Name	Grade	Club	1	2	1	2	1	2	Wins	Pts	Pos
1	Ryosuke Kuwasaki (100,00)	Sandan	Kokugakuin-U JP		10		10			2	20	1
2	Joseph KUCH (100,00)	Brown	Selkirk MB							0	0	2

Matches

Match	White			Blue	Result	Time	Code
B-60	Ryosuke Kuwasaki	1	2	Joseph KUCH	10 - 0	0:32	WIP
B-76	Ryosuke Kuwasaki	1	2	Joseph KUCH	10 - 0	0:31	IPO
B-82	Ryosuke Kuwasaki	1	2	Joseph KUCH			

Results

Pos	Name
1	Ryosuke Kuwasaki, Kokugakuin-U JP